

## Single Pack NF8.4FX.2 115-127V 60Hz CSIR

Single pack code number: **195B4491**

Position	Title	Code	Amount
1	Compressor NF8.4FX.2	105G5918	1
2	Starting relay (overload protector MRT22AFZ-6)	117U4129	1
3	Starting capacitor (280 $\mu$ F 125V, 6.3mm)	117U5025	1
4	Cord relief	117U0349	2
5	Cover	117U1021	1
6	Bolt joint for one compressor   M6   $\varnothing$ 16mm	118-1917	1

**Secop GmbH** • Lise-Meitner-Straße 29 • 24941 Flensburg, Germany • Tel: +49 461 4941 0 • [www.secop.com](http://www.secop.com)

Secop accepts no responsibility for possible errors in catalogs, brochures, and other printed material. Secop reserves the right to alter its products without notice. This also applies to products already on order provided that such alterations can be made without subsequent changes being necessary to specifications already agreed. All trademarks in this material are the property of the respective companies. Secop and the Secop logotype are trademarks of Secop GmbH. All rights reserved.

## NF8.4FX.2 Standard Compressor R134a 115-127V 60Hz

### General

Code number	105G5918
Approvals	UL984
Compressors on pallet	80

### Application

Application	LBP/MBP	
Frequency	Hz	50      60
Evaporating temperature	°F	-      -31 to 45
Voltage range	V	-      95 - 135
Max. condensing temperature continuous (short)	°F	-      140 (158)
Max. winding temperature continuous (short)	°F	-      257 (275)

### Cooling requirements

Frequency	Hz	50			60		
Application		LBP	MBP	HBP	LBP	MBP	HBP
90°F		-	-	-	F <sub>2</sub>	F <sub>1</sub>	-
100°F		-	-	-	F <sub>2</sub>	F <sub>1</sub>	-
110°F		-	-	-	F <sub>2</sub>	F <sub>1</sub>	-
Remarks on application:							

### Motor

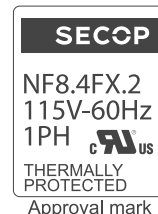
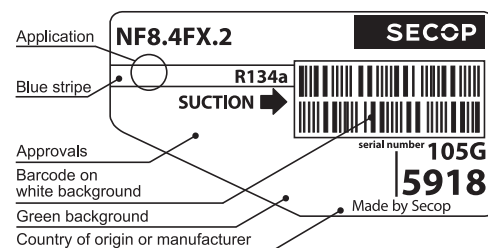
Motor type	CSIR	
LRA (rated after 4 sec. UL984), HST   LST	A	28.0      -
Cut in Current, HST   LST	A	28.0      -
Resistance, main   start winding (77°F)	Ω	1.9      6.6

### Design

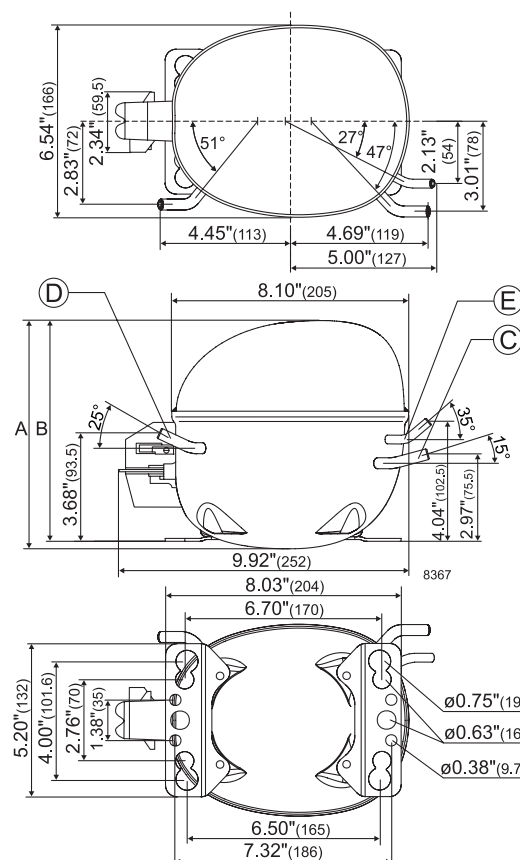
Displacement	cu.in	0.51
Oil quantity (type)	fl.oz.	9.13 (polyolester)
Maximum refrigerant charge	oz.	14.0
Free gas volume in compressor	fl.oz.	79.7
Weight without electrical equipment	lbs.	22.0

### Dimensions

Height	inch	A	7.76
		B	7.52
		B1	-
		B2	-
Suction connector	location, I.D. in.   angle	C	0.320-0.327   15°
	material   comment		Copper   Rubber plug
Process connector	location, I.D. in.   angle	D	0.252-0.259   25°
	material   comment		Copper   Rubber plug
Discharge connector	location, I.D. in.   angle	E	0.252-0.259   35°
	material   comment		Copper   Rubber plug
Oil cooler connector	location, I.D. in.   angle	F	-
	material   comment		-
Remarks:			



- S = Static cooling normally sufficient
- O = Oil cooling
- F<sub>1</sub> = Fan cooling 1.5 m/s  
(compressor compartment temperature equal to ambient temperature)
- F<sub>2</sub> = Fan cooling 3.0 m/s necessary
- SG = Suction gas cooling normally sufficient
- = not applicable in this area



**ASHRAE LBP**

115V, 60Hz, fan cooling F<sub>1</sub>

Evap. temp. in °F	-49	-40	-30	-20	-13	-10	0	10	14	20	30	40	41	45	50	59	68
Capacity in BTU/h			486	729	933	1030	1398	1843	2044	2373	2996	3724	3802	4129			
Power cons. in W			165	208	236	248	286	323	338	361	401	444	448	467			
Current cons. in A			3.38	3.52	3.63	3.68	3.86	4.08	4.17	4.31	4.58	4.87	4.90	5.02			
EER in BTU/Wh			2.95	3.51	3.95	4.16	4.89	5.71	6.05	6.57	7.48	8.39	8.48	8.84			

**ASHRAE MBP**

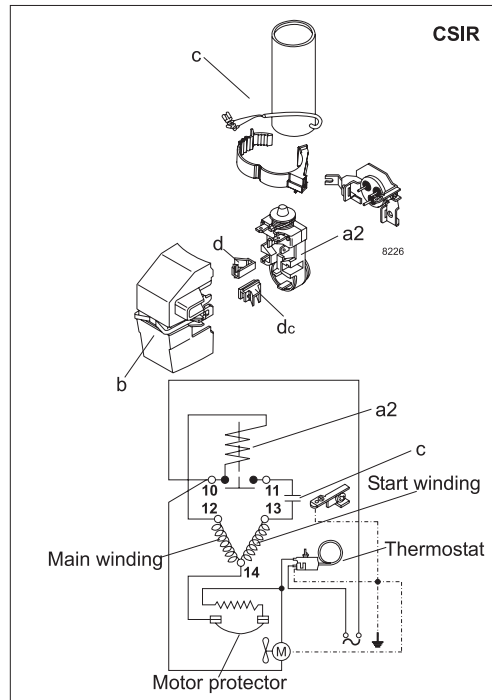
115V, 60Hz, fan cooling F<sub>1</sub>

Evap. temp. in °F	-49	-40	-30	-20	-13	-10	0	10	14	20	30	40	41	45	50	59	68
Capacity in BTU/h			432	648	829	915	1243	1637	1815	2106	2658	3300	3370	3658			
Power cons. in W			165	208	236	248	286	323	338	361	401	444	448	467			
Current cons. in A			3.38	3.52	3.63	3.68	3.86	4.08	4.17	4.31	4.58	4.87	4.90	5.02			
EER in BTU/Wh			2.62	3.12	3.51	3.69	4.35	5.07	5.37	5.83	6.63	7.44	7.52	7.83			

**EN 12900 Household (CECOMAF)**

115V, 60Hz, fan cooling F<sub>1</sub>

Evap. temp. in °F	-49	-40	-30	-20	-13	-10	0	10	14	20	30	40	41	45	50	59	68
Capacity in W			115	172	221	244	331	436	484	561	709	880	899	975			
Power cons. in W			164	207	236	248	286	324	339	362	402	446	450	469			
Current cons. in A			3.38	3.52	3.63	3.68	3.87	4.08	4.18	4.32	4.59	4.88	4.91	5.03			
COP in W/W			0.70	0.83	0.94	0.98	1.16	1.35	1.43	1.55	1.76	1.97	2.00	2.08			



Accessories for NF8.4FX.2	Figure	Code number	Test conditions	ASHRAE LBP	ASHRAE MBP	EN 12900/CECOMAF
Starting relay 1/4 in. spade connect.	a2	117U4129	Condensing temp.	130°F	130°F	131°F
Protector 3/4 in. Texas Instruments		MRT22AFZ-6	Ambient temp.	90°F	95°F	90°F
Start. capacitor 280 µF 1/4 in. spade connect.	c	117U5025	Suction gas temp.	90°F	95°F	90°F
Cover	b	117U1021	Liquid temperature	90°F	115°F	no subcooling
Cord relief	d	117U0349	<b>Mounting accessories</b>			
Cord relief for capacitor	dc	117U0349	<b>Code number</b>			
			Bolt joint for one comp.	Ø: 5/8 in.	118-1917	
			Bolt joint in quantities	Ø: 5/8 in.	118-1918	
			Snap-on in quantities	Ø: 5/8 in.	118-1919	

Secop accepts no responsibility for possible errors in catalogs, brochures, and other printed material. Secop reserves the right to alter its products without notice. This also applies to products already on order provided that such alterations can be made without consequential changes being necessary to specifications already agreed. All trademarks in this material are the property of the respective companies. Secop and the Secop logotype are trademarks of Secop GmbH. All rights reserved. [www.secop.com](http://www.secop.com)



# NF Compressors





8238-23



Secop accepts no responsibility for possible errors in catalogs, brochures, and other printed material. Secop reserves the right to alter its products without notice. This also applies to products already on order provided that such alterations can be made without subsequential changes being necessary to specifications already agreed. All trademarks in this material are the property of the respective companies. Secop and the Secop logotype are trademarks of Secop GmbH. All rights reserved. [www.secop.com](http://www.secop.com)