

Single Pack PL30F 100-115V 50/60Hz CSIR

Single pack code number: **195B4507**

| Position | Title | Code | Amount |
|----------|---|----------|--------|
| 1 | Compressor PL30F | 101G9100 | 1 |
| 2 | Starting relay | 117U6000 | 1 |
| 3 | Starting capacitor (80 μ F 220V, 6.3mm) | 117U5015 | 1 |
| 4 | Cord relief | 103N1010 | 1 |
| 5 | Cover | 103N0492 | 1 |
| 6 | Bolt joint for one compressor M6 \varnothing 16mm | 118-1917 | 1 |

Secop GmbH • Lise-Meitner-Straße 29 • 24941 Flensburg, Germany • Tel: +49 461 4941 0 • www.secop.com

Secop accepts no responsibility for possible errors in catalogs, brochures, and other printed material. Secop reserves the right to alter its products without notice. This also applies to products already on order provided that such alterations can be made without subsequent changes being necessary to specifications already agreed. All trademarks in this material are the property of the respective companies. Secop and the Secop logotype are trademarks of Secop GmbH. All rights reserved.

PL30F Standard Compressor R134a 100 - 115V 50/60Hz

General

| | |
|-----------------------|----------|
| Code number | 101G9100 |
| Approvals | UL984 |
| Compressors on pallet | 150 |

Application

| Application | LBP/HBP | | | |
|--|---------|-----------|-----------|--|
| Frequency | Hz | 50 | 60 | |
| Evaporating temperature | °F | -13 to 59 | -13 to 59 | |
| Voltage range | V | 90 - 127 | 90 - 127 | |
| Max. condensing temperature continuous (short) | °F | 122 (140) | 122 (140) | |
| Max. winding temperature continuous (short) | °F | 257 (275) | 257 (275) | |

Cooling requirements

| Frequency | Hz | 50 | | | 60 | | |
|--|----|-----|-----|-----|-----|-----|-----|
| Application | | LBP | MBP | HBP | LBP | MBP | HBP |
| 90°F | | S | S | S | S | S | S |
| 100°F | | S | S | S | S | S | S |
| 110°F | | S | S | S | S | S | S |
| Remarks on application: - max ambient temperature at 100V: 100°F - max ambient temperature at 115V: 110°F | | | | | | | |

Motor

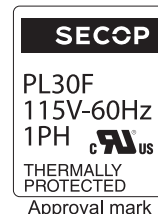
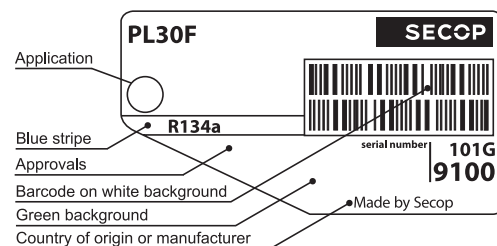
| Motor type | RSIR/CSIR | | |
|---|-----------|-----|------|
| LRA (rated after 4 sec. UL984), HST LST | A | 6.1 | 9.5 |
| Cut in Current, HST LST | A | 6.1 | 9.5 |
| Resistance, main start winding (77°F) | Ω | 7.6 | 13.6 |

Design

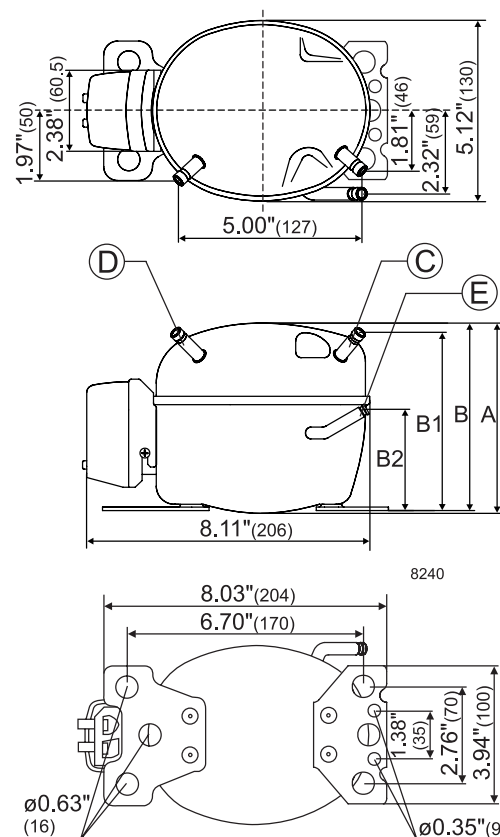
| | | |
|-------------------------------------|--------|-------------------|
| Displacement | cu.in | 0.09 |
| Oil quantity (type) | fl.oz. | 5.1 (polyolester) |
| Maximum refrigerant charge | oz. | 10.5 |
| Free gas volume in compressor | fl.oz. | 28.9 |
| Weight without electrical equipment | lbs. | 9.5 |

Dimensions

| Height | inch | A | 5.28 |
|----------------------|----------------------------|----|--------------------------|
| | | B | 5.20 |
| | | B1 | 4.88 |
| | | B2 | 2.87 |
| Suction connector | location, I.D. in. angle | C | 0.252-0.259 40° |
| | material comment | | Cu-plated steel Al cap |
| Process connector | location, I.D. in. angle | D | 0.252-0.259 45° |
| | material comment | | Cu-plated steel Al cap |
| Discharge connector | location, I.D. in. angle | E | 0.202-0.205 21° |
| | material comment | | Cu-plated steel Al cap |
| Oil cooler connector | location, I.D. in. angle | F | - |
| | material comment | | - |
| Remarks: | | | |



- S = Static cooling normally sufficient
- O = Oil cooling
- F₁ = Fan cooling 1.5 m/s
(compressor compartment temperature equal to ambient temperature)
- F₂ = Fan cooling 3.0 m/s necessary
- SG = Suction gas cooling normally sufficient
- = not applicable in this area



ASHRAE LBP

115V, 60Hz, static cooling, PTC consumption incl.

| | | | | | | | | | | | | | | | | | |
|--------------------|-----|-----|-----|-----|------|------|------|------|------|------|------|------|------|------|------|------|----|
| Evap. temp. in °F | -49 | -40 | -30 | -20 | -13 | -10 | 0 | 10 | 14 | 20 | 30 | 32 | 40 | 45 | 50 | 59 | 68 |
| Capacity in BTU/h | | | | | 89.1 | 103 | 156 | 221 | 252 | 302 | 399 | 421 | 517 | 584 | 657 | 804 | |
| Power cons. in W | | | | | 49.7 | 50.8 | 55.2 | 60.5 | 63.0 | 66.3 | 72.4 | 74.0 | 78.5 | 81.4 | 84.2 | 88.9 | |
| Current cons. in A | | | | | 1.07 | 1.07 | 1.09 | 1.11 | 1.12 | 1.13 | 1.16 | 1.16 | 1.19 | 1.20 | 1.22 | 1.25 | |
| EER in BTU/Wh | | | | | 1.79 | 2.03 | 2.82 | 3.66 | 4.01 | 4.55 | 5.51 | 5.72 | 6.58 | 7.17 | 7.79 | 9.04 | |

ASHRAE HBP

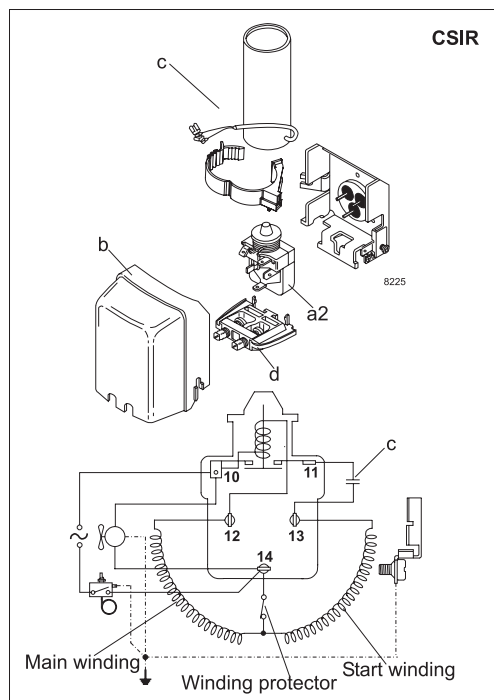
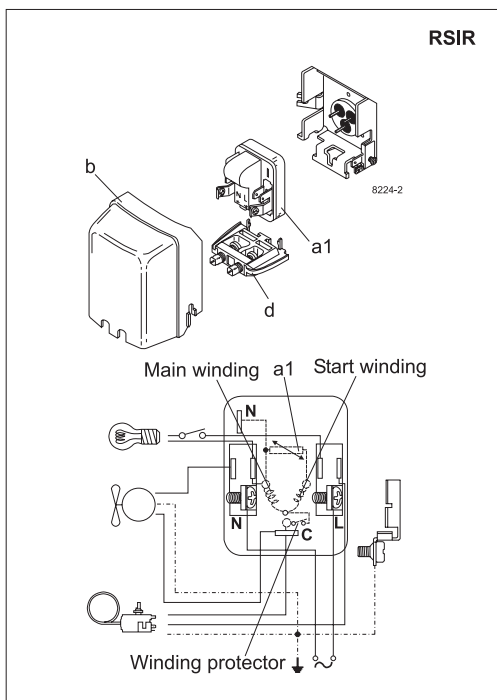
115V, 60Hz, static cooling, PTC consumption incl.

| | | | | | | | | | | | | | | | | | |
|--------------------|-----|-----|-----|-----|------|------|------|------|------|------|------|------|------|------|------|------|----|
| Evap. temp. in °F | -49 | -40 | -30 | -20 | -13 | -10 | 0 | 10 | 14 | 20 | 30 | 32 | 40 | 45 | 50 | 59 | 68 |
| Capacity in BTU/h | | | | | 79.2 | 91.6 | 139 | 197 | 224 | 268 | 354 | 375 | 458 | 517 | 581 | 711 | |
| Power cons. in W | | | | | 49.7 | 50.8 | 55.2 | 60.5 | 63.0 | 66.3 | 72.4 | 74.0 | 78.5 | 81.4 | 84.2 | 88.9 | |
| Current cons. in A | | | | | 1.07 | 1.07 | 1.09 | 1.11 | 1.12 | 1.13 | 1.16 | 1.16 | 1.19 | 1.20 | 1.22 | 1.25 | |
| EER in BTU/Wh | | | | | 1.59 | 1.80 | 2.51 | 3.25 | 3.07 | 4.04 | 4.89 | 5.09 | 5.83 | 6.35 | 6.90 | 7.99 | |

EN 12900 Household (CECOMAF)

115V, 60Hz, static cooling, PTC consumption incl.

| | | | | | | | | | | | | | | | | | |
|--------------------|-----|-----|-----|-----|------|------|------|------|------|------|------|------|------|------|------|------|----|
| Evap. temp. in °F | -49 | -40 | -30 | -20 | -13 | -10 | 0 | 10 | 14 | 20 | 30 | 32 | 40 | 45 | 50 | 59 | 68 |
| Capacity in W | | | | | 21.0 | 24.3 | 36.8 | 52.3 | 59.0 | 71.2 | 94.2 | 99.0 | 122 | 137 | 154 | 189 | |
| Power cons. in W | | | | | 49.7 | 50.8 | 55.2 | 60.5 | 63.0 | 66.3 | 72.4 | 74.0 | 78.5 | 81.4 | 84.2 | 88.9 | |
| Current cons. in A | | | | | 1.07 | 1.07 | 1.09 | 1.11 | 1.12 | 1.13 | 1.16 | 1.16 | 1.19 | 1.20 | 1.22 | 1.25 | |
| COP in W/W | | | | | 0.42 | 0.48 | 0.67 | 0.86 | 0.95 | 1.07 | 1.30 | 1.35 | 1.55 | 1.69 | 1.83 | 2.12 | |

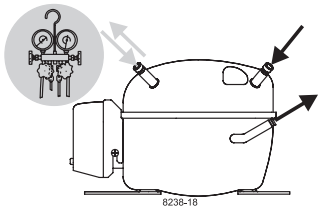


| Accessories for | PL30F | Figure | Code number |
|------------------------|-------------------------|--------|-------------|
| PTC starting device | 1/4 in. spade connect. | a1 | 103N0026 |
| | 3/16 in. spade connect. | | 103N0023 |
| Starting relay | 1/4 in. spade connect. | a2 | 117U6000 |
| Cover | | b | 103N0492 |
| Start. capacitor 80 µF | 1/4 in. spade connect. | c | 117U5015 |
| Cord relief | | d | 103N1010 |

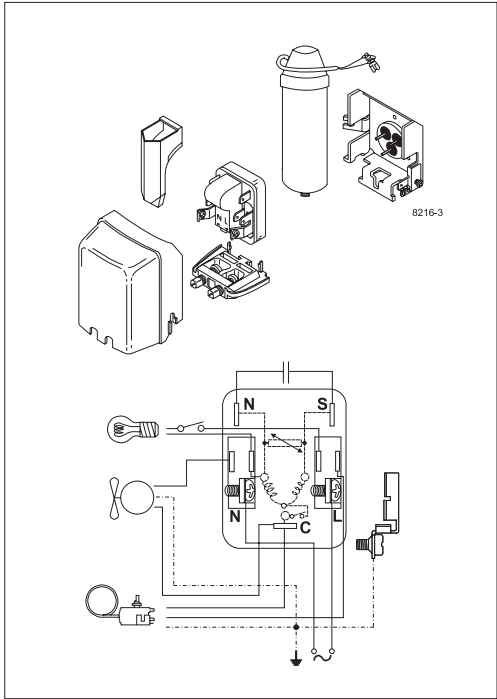
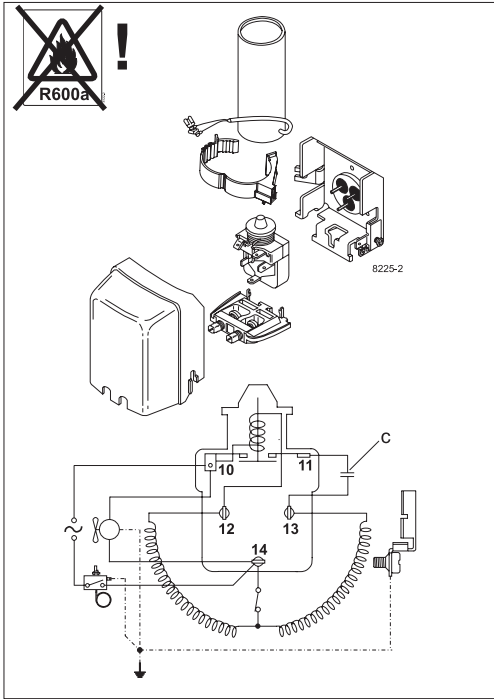
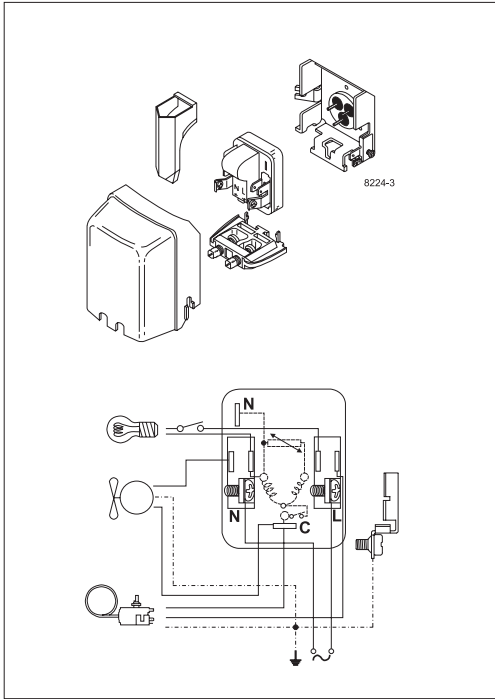
| Test conditions | ASHRAE LBP | ASHRAE HBP | EN 12900/CECOMAF |
|--------------------|------------|------------|------------------|
| Condensing temp. | 130°F | 130°F | 131°F |
| Ambient temp. | 90°F | 95°F | 90°F |
| Suction gas temp. | 90°F | 95°F | 90°F |
| Liquid temperature | 90°F | 115°F | 131°F |

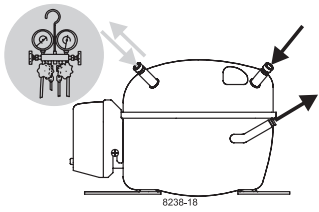
| Mounting accessories | Code number |
|-------------------------------------|-------------|
| Bolt joint for one comp. Ø: 5/8 in. | 118-1917 |
| Bolt joint in quantities Ø: 5/8 in. | 118-1918 |
| Snap-on in quantities Ø: 5/8 in. | 118-1919 |

Secop accepts no responsibility for possible errors in catalogs, brochures, and other printed material. Secop reserves the right to alter its products without notice. This also applies to products already on order provided that such alterations can be made without consequential changes being necessary to specifications already agreed. All trademarks in this material are the property of the respective companies. Secop and the Secop logotype are trademarks of Secop GmbH. All rights reserved. www.secop.com



PL Compressors





PL Compressors

Service/Repair – R600a



8545



Secop accepts no responsibility for possible errors in catalogs, brochures, and other printed material. Secop reserves the right to alter its products without notice. This also applies to products already on order provided that such alterations can be made without subsequent changes being necessary to specifications already agreed. All trademarks in this material are the property of the respective companies. Secop and the Secop logotype are trademarks of Secop GmbH. All rights reserved. www.secop.com