

Single Pack NL8.4CNX.2 115V 60Hz CSIR

Single pack code number: **195B4522**

Position	Title	Code	Amount
1	Compressor NL8.4CNX.2	105H6090	1
2	Starting relay	117U7013	1
3	Starting capacitor (125µF 125V, 6.3mm)	117U5035	1
4	Cord relief	103N1010	1
5	Cover	103N2011	1
6	Bolt joint for one compressor M6 ø16mm	118-1917	1

Secop GmbH • Lise-Meitner-Straße 29 • 24941 Flensburg, Germany • Tel: +49 461 4941 0 • www.secop.com

Secop accepts no responsibility for possible errors in catalogs, brochures, and other printed material. Secop reserves the right to alter its products without notice. This also applies to products already on order provided that such alterations can be made without subsequent changes being necessary to specifications already agreed. All trademarks in this material are the property of the respective companies. Secop and the Secop logotype are trademarks of Secop GmbH. All rights reserved.

Model

Designation	NL8.4CNX.2	115V/60Hz 1~	Sales code:	105H6090
-------------	-------------------	--------------	-------------	-----------------

Compressor design

Oil type	Polyolester	Refrigerant(s)	R290
Oil viscosity	32cST	Displacement	8,35cm ³ / 0,51cu.in
Oil quantity	268cm ³ / 9,1fl.oz	Compressors on pallet	80
Refr. charge - tech. limit	150g / 5,3oz		
Free gas volume comp.	2360cm ³ / 79,8fl.oz		
Weight	10,5kg / 23,1lbs		
Motor protection	1# internal		
Winding resistance main	1,3Ω (at 25°C)		
Winding resistance aux	7Ω (at 25°C)		
Max. winding temp.	125°C / 257°F		
Max. discharge temp.	130°C / 266°F		



General - Configurations with NL8.4CNX.2

	Conf. 1
Motorconfiguration	CSIR
Power supply (nominal)	115V/60Hz
Number of phases	1
Voltage range	95-135V
Approvals	CCC, UL
Starting torque	HST
Note	- / -

Applications with NL8.4CNX.2

	Conf. 1
Refrigerant	R290
Application	LBP+MBP
System cooling	fan 3m/s
Hot gas defrost	-/-
Long interval pull down	OK

Electrical data - Configurations with NL8.4CNX.2

	Conf. 1
Starting device type	relay
Run capacitor	-/-
Start capacitor	125μF
LRA (locked rotor amps / 4s)	26,4A
RLA (rated load amps / 1s)	5,3A
Cut in current	26,4A

Model

Designation

NL8.4CNX.2

115V/60Hz 1~

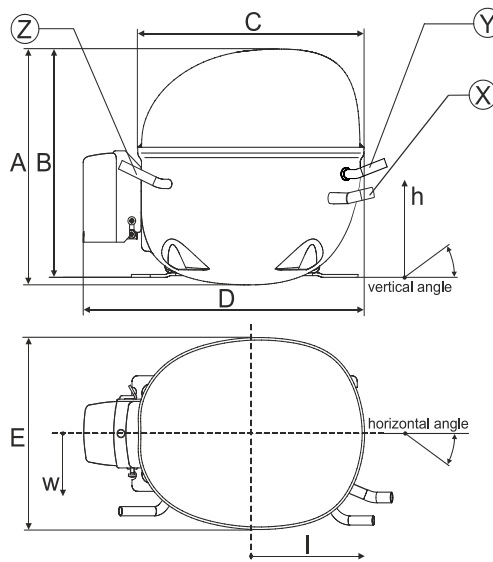
Sales code:

105H6090

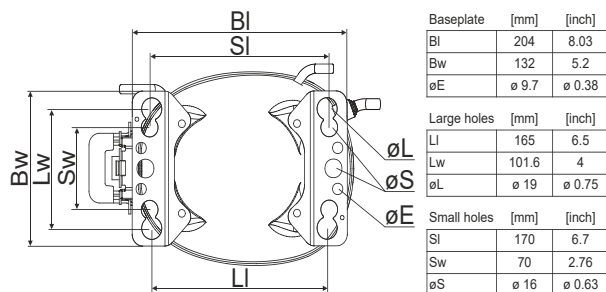
Compressor dimensions

Housing	A Height	203mm / 7,99in
	B Height	197mm / 7,76in
	C Length shell	205mm / 8,07in
	D Length w. cover	254mm / 10in
	E Width	166mm / 6,54in

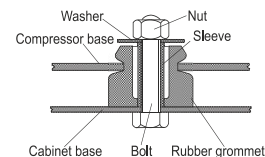
Connectors		Suction	Discharge	Process
		X	Y	Z
Diameter	[mm]	øi 8,11-8,29	øi 6,41-6,59	øi 6,41-6,59
	(i:inside, o:outside) [in]	øi 0,32-0,33	øi 0,25-0,26	øi 0,25-0,26
Material		copper	copper	copper
Horizontal angle	±2°	0°	0°	0°
Vertical angle	±2°	15°	35°	155°
Position l/h/w	[mm]	126/76/78	133/103/54	-107/94/72
	[in]	4,9/3/3,1	5,2/4/2,1	-4,2/3,7/2,8
Straight tube l.	[mm]	12	12	12
	[in]	0,5	0,5	0,5



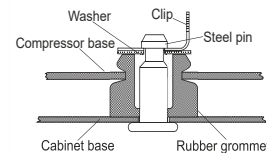
Compressor fixation



Bolt joint



Snap-on



Mounting accessories

Mounting accessories	one comp.	multi pack
Bolt joint M6 ø16mm	118-1917	118-1918
Bolt joint ø1/4" ø16mm	118-1946	
Bolt joint ø1/4" ø19mm	118-1949	
Snap-on ø7,3 ø16mm	118-1947	118-1919

Application notes

LRA value on compressor label and datasheet may differ due to different test conditions for UL approval.

Provision for PE Grounding is located at the PE Stamp on the compressor

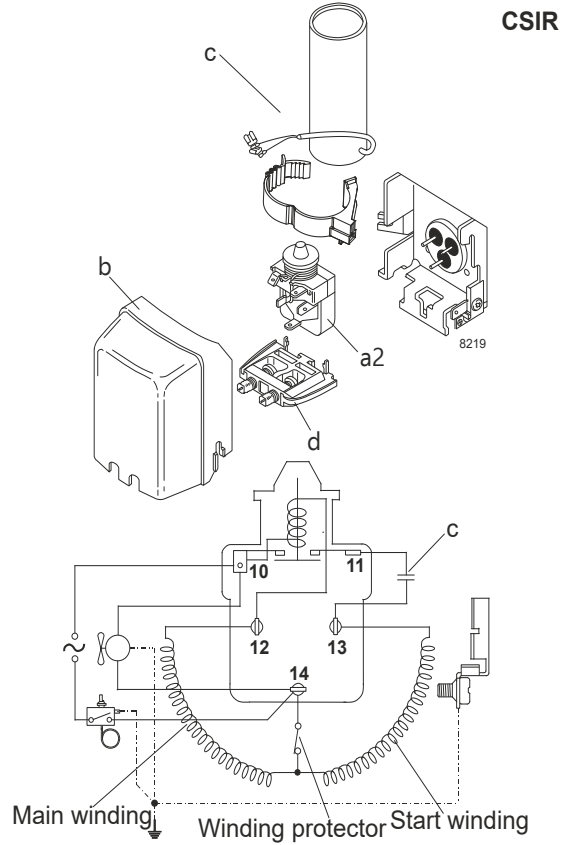
Model

Designation	NL8.4CNX.2	115V/60Hz	Conf. 1	Sales code:	105H6090
-------------	-------------------	------------------	----------------	-------------	-----------------

Configuration

Motorconfiguration	CSIR
Power supply (nominal)	115V/60Hz 1~
Refrigerant	R290
Application	LBP+MBP
Voltage range	95-135V
Starting torque	HST
Approvals	CCC
	UL

Electrical accessories / wiring diagram



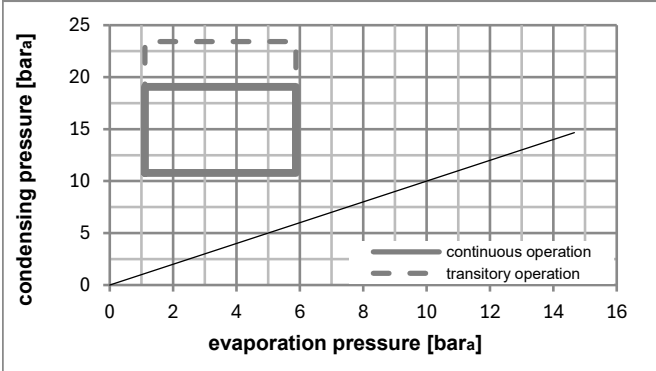
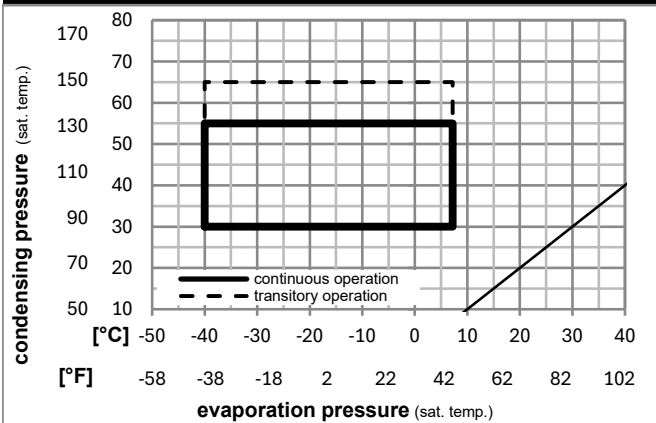
Ambient/ machine room temperatures minimum /maximum

Ambient temperature range: 10 - 43°C / 50 - 110°F

Machine room temperature range: 10 - 48°C / 50 - 119°F

Compressor cooling: fan 3m/s

Operation pressure range



Components

a2	relay	117U7013
c	start capacitor (125µF, 6,3mm)	117U5035
b	plastic cover	103N2011
d	cord relief	103N1010

Model

Designation	NL8.4CNX.2	115V/60Hz	Conf. 1	Sales code:	105H6090
-------------	-------------------	------------------	----------------	-------------	-----------------

Optimization + standard conditions

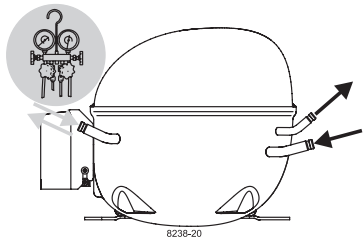
R290, 115V/60Hz, CSIR, fan 3m/s, CCC, UL

	Evaporating pressure (saturation temperature)				Cooling capacity			COP	EER	P1	Power consumption		ASHRAE LBP	
	pe	pc	RGT	Tliq	[W]	[Btu/h]	[kcal/h]				I	m		
	[°C]	[°F]	[°C]	[°F]	[W]	[Btu/h]	[kcal/h]	[W/W]	[Btu/Wh]	[kcal/Wh]	[W]	[A]	[kg/h]	
	-23	54	32	32	485,5	1658	417,8	1,47	5,01	1,26	331,0	4,06	4,92	ASHRAE LBP
	-10	130	90	90										
	-25	55	32	55	363,4	1241	312,7	1,14	3,89	0,98	319,4	3,98	4,52	cecomaf LBP
	-13	131	90	131										
	-35	40	20	40	274,0	936	235,8	1,12	3,82	0,96	244,7	3,52	3,13	EN12900 LBP
	-31	104	68	104										
	-23	49	4,4	49	398,1	1360	342,6	1,23	4,20	1,06	323,6	4,01	5,51	ARI540 LBP
	-10	120	40	120										
	-23	41	32	32	532,5	1819	458,3	1,72	5,86	1,48	310,3	3,92	5,39	AHAM LBP
	-10	105	90	90										
	-35	45	32	45	262,8	897	226,1	1,06	3,63	0,91	247,5	3,54	2,94	opt
	-31	113	90	113										

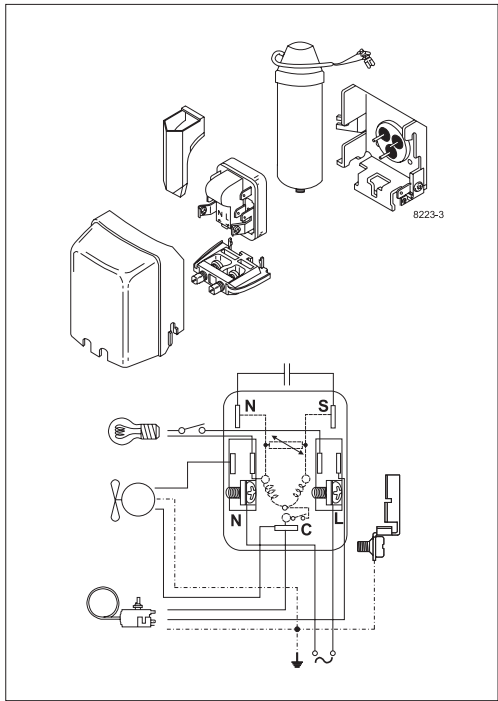
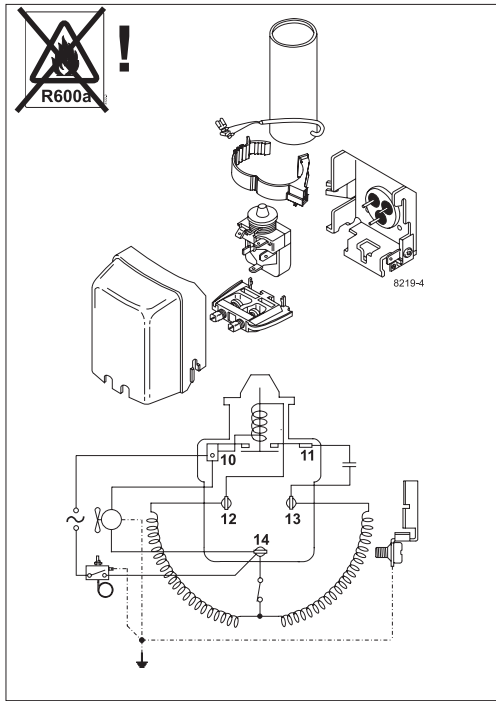
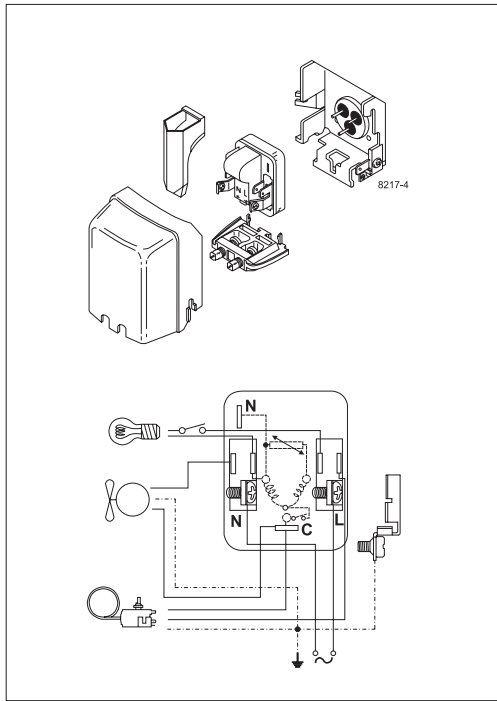
Performance tables

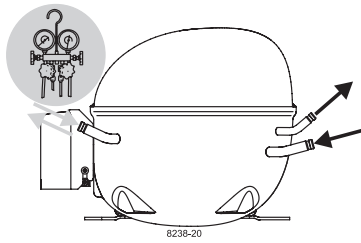
R290, 115V/60Hz, CSIR, fan 3m/s, CCC, UL

	pe		Cooling capacity			COP	EER		P1	I	m
	[°C]	[°F]	[W]	[Btu/h]	[kcal/h]		[Btu/Wh]	[kcal/Wh]			
[°C / °F]	-40	-40	195,1	666	167,9	0,89	3,03	0,76	219,8	3,40	2,18
cond. pressure	-34	-30	270,9	925	233,1	1,08	3,69	0,93	250,6	3,56	3,04
pc= 45/113	-23	-10	466,5	1593	401,5	1,47	5,02	1,26	317,7	3,97	5,27
return gas temp.	-15	5	664,2	2268	571,6	1,80	6,14	1,55	369,1	4,33	7,56
RGT= 32/90	-4	25	1016,1	3470	874,5	2,34	8,00	2,02	433,8	4,82	11,72
liquid temp	0	32	1167,4	3987	1004,6	2,57	8,78	2,21	454,2	4,98	13,54
Tliq= 45/113	7,2	45	1492,3	5096	1284,3	3,06	10,46	2,64	487,4	5,26	17,53
[°C / °F]	-40	-40	155,1	530	133,5	0,72	2,44	0,62	216,7	3,38	1,91
cond. pressure	-34	-30	222,4	759	191,4	0,88	3,01	0,76	252,5	3,57	2,75
pc= 55/131	-23	-10	392,7	1341	338,0	1,18	4,04	1,02	331,7	4,07	4,90
return gas temp	-15	5	564,3	1927	485,6	1,43	4,89	1,23	394,3	4,52	7,09
RGT= 32/90	-4	25	871,8	2977	750,3	1,83	6,25	1,58	476,3	5,16	11,13
liquid temp	0	32	1004,9	3432	864,8	2,00	6,82	1,72	503,5	5,38	12,91
Tliq= 55/131	7,2	45	1292,5	4414	1112,4	2,35	8,02	2,02	550,3	5,78	16,84

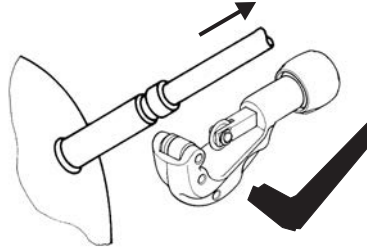
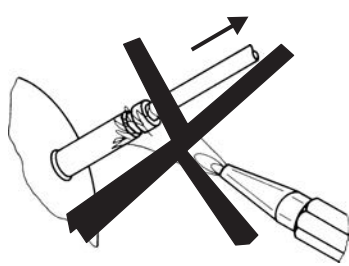


NL Compressors





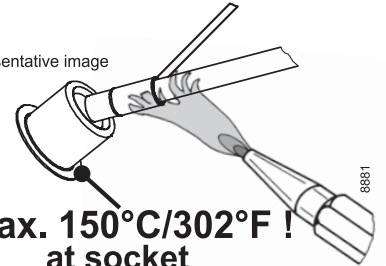
Service/Repair – R600a, R290



8545

Brazing on Suction Connectors (Direct Intake)

representative image



**! max. 150°C/302°F !
at socket**
brazing solder: phosphor (LP7) or silver

Refer to Product Bulletin:
**Brazing on Suction Connectors
(Compressors with Direct Suction Intake)**

Secop accepts no responsibility for possible errors in catalogs, brochures, and other printed material. Secop reserves the right to alter its products without notice. This also applies to products already on order provided that such alterations can be made without subsequential changes being necessary to specifications already agreed. All trademarks in this material are the property of the respective companies. Secop and the Secop logotype are trademarks of Secop GmbH. All rights reserved. www.secop.com