

Single Pack HTK95AA 220-240V 50Hz RSIR

Single pack code number: **195B4526**

Position	Title	Code	Amount
1	Compressor HTK95AA	16068600	1
2	Clip	10633900	4
3	Steel pin	10634100	4
4	Washer	10634300	4
5	Screw for cable clamp	10636000	1
6	Screw for cable clamp	10636200	1
7	Cover	10636401	1
8	Earth screw	10641201	1
9	Rubber grommet 16mm	11322600	4
10	Cable clamp	11341000	1
11	Terminal board 4.8mm	15164300	1

Secop GmbH • Lise-Meitner-Straße 29 • 24941 Flensburg, Germany • Tel: +49 461 4941 0 • www.secop.com

Secop accepts no responsibility for possible errors in catalogs, brochures, and other printed material. Secop reserves the right to alter its products without notice. This also applies to products already on order provided that such alterations can be made without subsequent changes being necessary to specifications already agreed. All trademarks in this material are the property of the respective companies. Secop and the Secop logotype are trademarks of Secop GmbH. All rights reserved.

Model

Designation	HTK95AA	220-240V/50Hz 1~	Sales code:	16068600
-------------	----------------	-------------------------	-------------	-----------------

Compressor design

Oil type	Mineral	Refrigerant(s)	R600a
Oil viscosity	5cST	Displacement	9,6cm ³ / 0,59cu.in
Oil quantity	162cm ³ / 5,5fl.oz	Compressors on pallet	100
Refr. charge - tech. limit	150g / 5,3oz		
Free gas volume comp.	1600cm ³ / 54,1fl.oz		
Weight	8,3kg / 18,3lbs		
Motor protection	external		
Winding resistance main	19,3Ω (at 25°C)		
Winding resistance aux	11,3Ω (at 25°C)		
Max. winding temp.	130°C / 266°F		
Max. discharge temp.	130°C / 266°F		



General - Configurations with HTK95AA

	Conf. 1	Conf. 2
Motorconfiguration	RSIR	RSCR
Power supply (nominal)	220-240V/50Hz	220-240V/50Hz
Number of phases	1	1
Voltage range	187-264V	187-264V
Approvals	VDE	VDE
Starting torque	LST	LST
Note	Various options of connectors are possible - please contact SECOP-Sales.	

Applications with HTK95AA

	Conf. 1	Conf. 2
Refrigerant	R600a	R600a
Application	LBP	LBP
System cooling	static	static
Hot gas defrost	-/-	-/-
Long interval pull down	-/-	-/-

Electrical data - Configurations with HTK95AA

	Conf. 1	Conf. 2
Starting device type	PTC	PTC
Run capacitor	-/-	4μF
Start capacitor	-/-	-/-
LRA (locked rotor amps / 4s/ U(N))		
RLA (rated load amps / 1s/ U(N))	-/-A	-/-A
Cut in current (U(N))		

Model

Designation

HTK95AA

220-240V/50Hz 1~

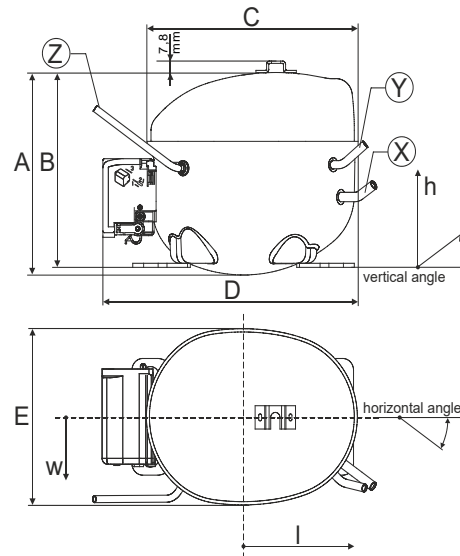
Sales code:

16068600

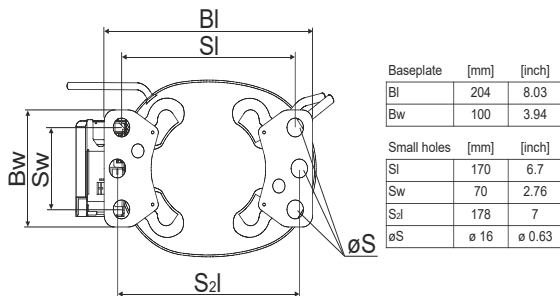
Compressor dimensions

Housing	A Height	174mm / 6,85in
	B Height	167mm / 6,57in
	C Length shell	194mm / 7,64in
	D Length w. cover	238mm / 9,37in
	E Width	151mm / 5,94in

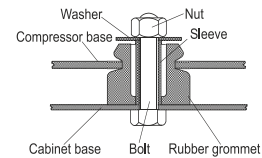
Connectors		Suction	Discharge	Process
		X	Y	Z
Diameter	[mm]	øi 6,1-6,2	øi 5,1-5,2	øo 5,92-6,08
	(i:inside, o:outside) [in]	øi 0,24-0,24	øi 0,2-0,2	øo 0,23-0,24
Material		copper	copper	copper
Horizontal angle	±2°	45°	13°	0°
	±2°	30°	40°	145°
Position l/h/w	[mm]	120/72/62	112/106/62	-140/136/70
	[in]	4,7/2,8/2,4	4,4/4,2/2,4	-5,5/5,4/2,8
Straight tube l.	[mm]	14	14	75
	[in]	0,5	0,5	3



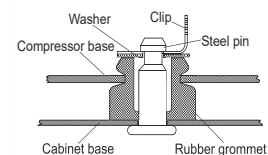
Compressor fixation



Bolt joint



Snap-on



Mounting accessories

Mounting accessories	order code
'4ZN' with rubber grommet	772N
'4ZN' with rubber grommet and sleeve for M6	768N
Bolt joint kit	4ZN + 118-1917 (18)
'4ZN' with Snap on kit	776N

Application notes

Provision for PE Grounding is located at the PE Stamp on the compressor Housing with dip-tray fixture (omega bracket).
 Various options of connectors are possible - please contact SECOP-Sales.

Model

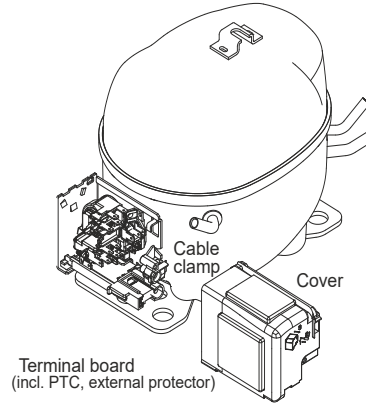
Designation	HTK95AA	220-240V/50Hz	Conf. 1	Sales code:	16068600
-------------	----------------	----------------------	---------	-------------	-----------------

Configuration

Motorconfiguration	RSIR
Power supply (nominal)	220-240V/50Hz 1~
Refrigerant	R600a
Application	LBP
Voltage range	187-264V
Starting torque	LST
Approvals	VDE

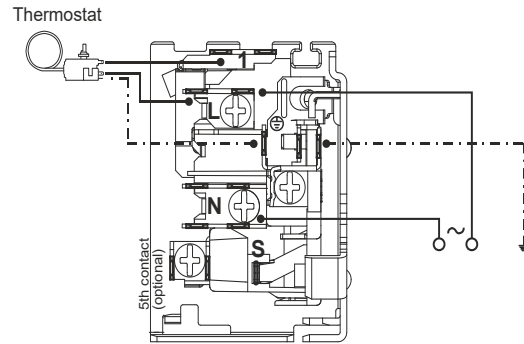
Electrical accessories / wiring diagram

RSIR

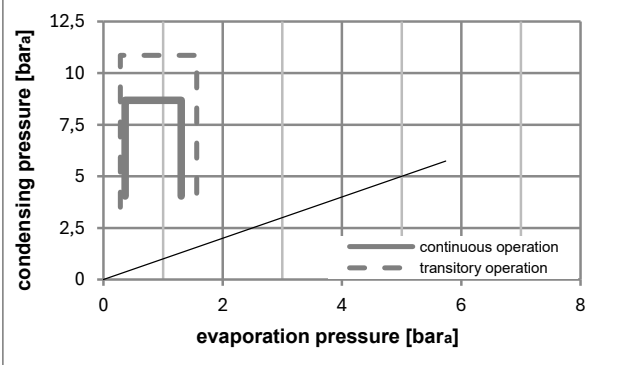
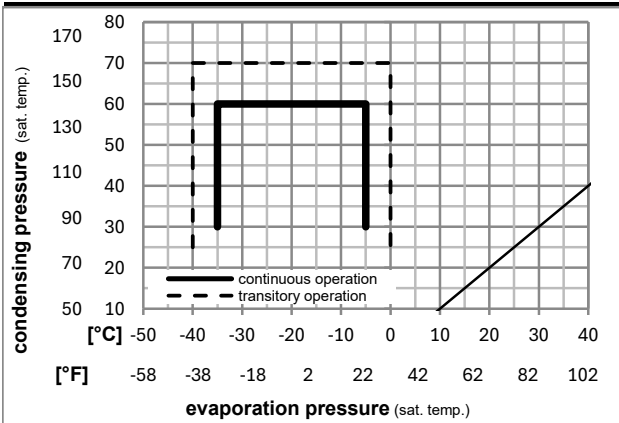


Ambient/ machine room temperatures minimum /maximum

Ambient temperature range:	10 - 43°C / 50 - 110°F
Machine room temperature range:	10 - 48°C / 50 - 119°F
Compressor cooling:	static



Operation pressure range



8858-6

Components

. terminal board (PTC, 4.8mm)	15164300
b cover terminal board	10636401
. cable clamp	11341000
. screw - uni6954	10636000
. screw - uni6954	10636200
. screw uni en iso 4757	10641201

Model

Designation	HTK95AA	220-240V/50Hz	Conf. 1	Sales code:	16068600
-------------	----------------	----------------------	---------	-------------	-----------------

Optimization + standard conditions

R600a, 220V/50Hz, RSIR, static, VDE

		Evaporating pressure (saturation temperature)				Condensing pressure (saturation temperature)			Return gas temp.		Liquid temp.		Cooling capacity			COP	EER	Power consumption		Current consumption		Ref. mass flow	
		pe	pc	RGT	Tliq	[W]	[Btu/h]	[kcal/h]	[W/W]	[Btu/Wh]	[kcal/Wh]	[W]	[A]	[kg/h]			P1	I	m				
[°C]	[°F]	[°C]	[°F]	[°C]	[°F]																		
-23	-10	54	130	32	90	167,0	570	143,7	1,64	5,61	1,41	101,8	0,67	1,79								ASHRAE LBP	
-25	-13	55	131	32	90	125,5	429	108,0	1,28	4,38	1,10	97,8	0,65	1,64								cecomaf LBP	
-35	-31	40	104	20	68	87,1	297	74,9	1,17	3,99	1,01	74,5	0,56	1,06								EN12900 LBP	
-23	-10	49	120	4,4	40	133,7	457	115,0	1,38	4,70	1,18	97,2	0,66	1,95								ARI540 LBP	
-23	-10	41	105	32	90	173,0	591	148,9	1,89	6,47	1,63	91,3	0,65	1,86								AHAM LBP	
-35	-31	45	113	32	90	83,2	284	71,6	1,11	3,79	0,96	74,9	0,54	0,99								opt	

Performance tables

R600a, 220V/50Hz, RSIR, static, VDE

	pe		Cooling capacity			COP	EER		P1	I	m
	[°C]	[°F]	[W]	[Btu/h]	[kcal/h]	[W/W]	[Btu/Wh]	[kcal/Wh]	[W]	[A]	[kg/h]
[°C / °F]	-35	-31	83,2	284	71,6	1,11	3,79	0,96	74,9	0,54	0,99
cond. pressure	-30	-22	108,8	371	93,6	1,33	4,55	1,15	81,6	0,59	1,29
pc= 45/113	-25	-13	141,6	483	121,8	1,56	5,33	1,34	90,8	0,64	1,69
return gas temp.	-23	-10	154,3	527	132,8	1,64	5,59	1,41	94,3	0,66	1,84
RGT= 32/90	-20	-4	181,6	620	156,2	1,78	6,09	1,54	101,8	0,69	2,16
liquid temp	-15	5	228,7	781	196,9	2,01	6,85	1,73	114,0	0,74	2,73
Tliq= 45/113	-5	23	344,6	1177	296,6	2,47	8,43	2,12	139,6	0,85	4,14
[°C / °F]	-35	-31	70,5	241	60,6	0,93	3,17	0,80	75,9	0,53	0,92
cond. pressure	-30	-22	94,7	323	81,5	1,11	3,78	0,95	85,7	0,59	1,23
pc= 55/131	-25	-13	125,5	429	108,0	1,28	4,38	1,10	97,8	0,65	1,64
return gas temp	-23	-10	137,5	469	118,3	1,34	4,59	1,16	102,3	0,67	1,79
RGT= 32/90	-20	-4	162,8	556	140,1	1,46	4,98	1,26	111,6	0,71	2,13
liquid temp	-15	5	206,6	706	177,8	1,63	5,58	1,41	126,5	0,78	2,71
Tliq= 55/131	-5	23	313,7	1071	270,0	2,00	6,82	1,72	157,1	0,91	4,13

Model

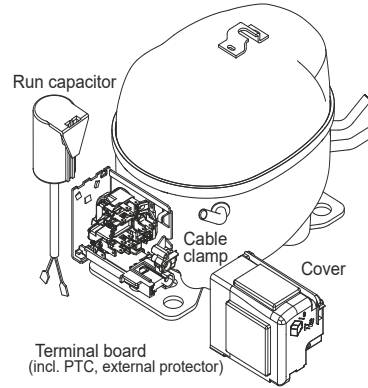
Designation	HTK95AA	220-240V/50Hz	Conf. 2	Sales code:	16068600
-------------	----------------	----------------------	----------------	-------------	-----------------

Configuration

Motorconfiguration	RSCR
Power supply (nominal)	220-240V/50Hz 1~
Refrigerant	R600a
Application	LBP
Voltage range	187-264V
Starting torque	LST
Approvals	VDE

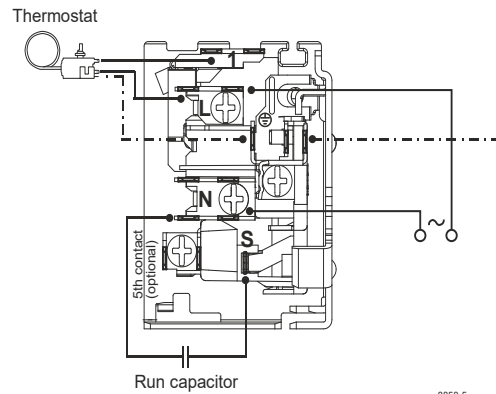
Electrical accessories / wiring diagram

RSCR



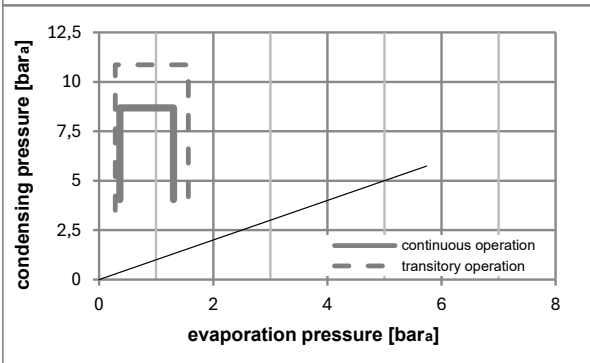
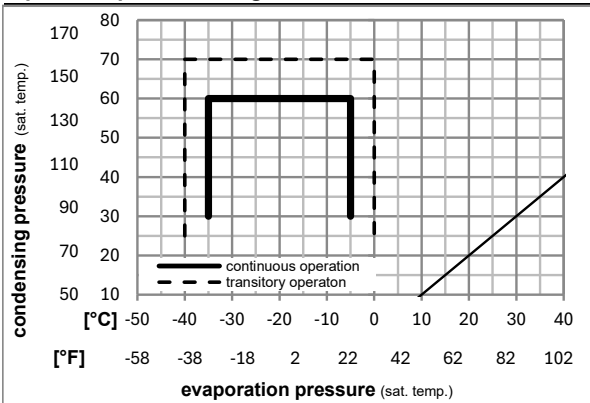
Ambient/ machine room temperatures minimum /maximum

Ambient temperature range:	10 - 43°C / 50 - 110°F
Machine room temperature range:	10 - 48°C / 50 - 119°F
Compressor cooling:	static



8858-5

Operation pressure range



Components

. terminal board (PTC, 4.8mm)	15164300
. run capacitor (4µF, 4.8mm)	10693001
b cover terminal board	10636401
. cable clamp	11341000
. screw - uni6954	10636000
. screw - uni6954	10636200

Model

Designation	HTK95AA	220-240V/50Hz	Conf. 2	Sales code:	16068600
-------------	----------------	----------------------	----------------	-------------	-----------------

Optimization + standard conditions

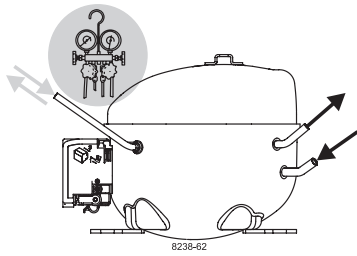
R600a, 220V/50Hz, RSCR, static, VDE

		Evaporating pressure (saturation temperature)				Condensing pressure (saturation temperature)						Power consumption			
		Return gas temp.		Liquid temp.		Cooling capacity		COP	EER		P1	I	Ref. mass flow		
		pe	pc	RGT	Tliq	[W]	[Btu/h]	[kcal/h]	[W/W]	[Btu/Wh]	[kcal/Wh]	[W]	[A]	[kg/h]	
[°C]	[°F]	[°C]	[°F]	[°C]	[°F]										
-23	-10	54	130	32	90	167,0	570	143,7	1,70	5,81	1,46	98,2	0,48	1,79	ASHRAE LBP
-25	-13	55	131	32	90	125,5	429	108,0	1,33	4,55	1,15	94,1	0,47	1,64	cecomaf LBP
-35	-31	40	104	20	68	87,1	297	74,9	1,22	4,16	1,05	71,4	0,40	1,06	EN12900 LBP
-23	-10	49	120	4,4	40	133,7	457	115,0	1,42	4,86	1,22	94,0	0,48	1,95	ARI540 LBP
-23	-10	41	105	32	90	173,0	591	148,9	1,95	6,66	1,68	88,7	0,47	1,86	AHAM LBP
-35	-31	45	113	32	90	83,2	284	71,6	1,16	3,98	1,00	71,5	0,39	0,99	opt

Performance tables

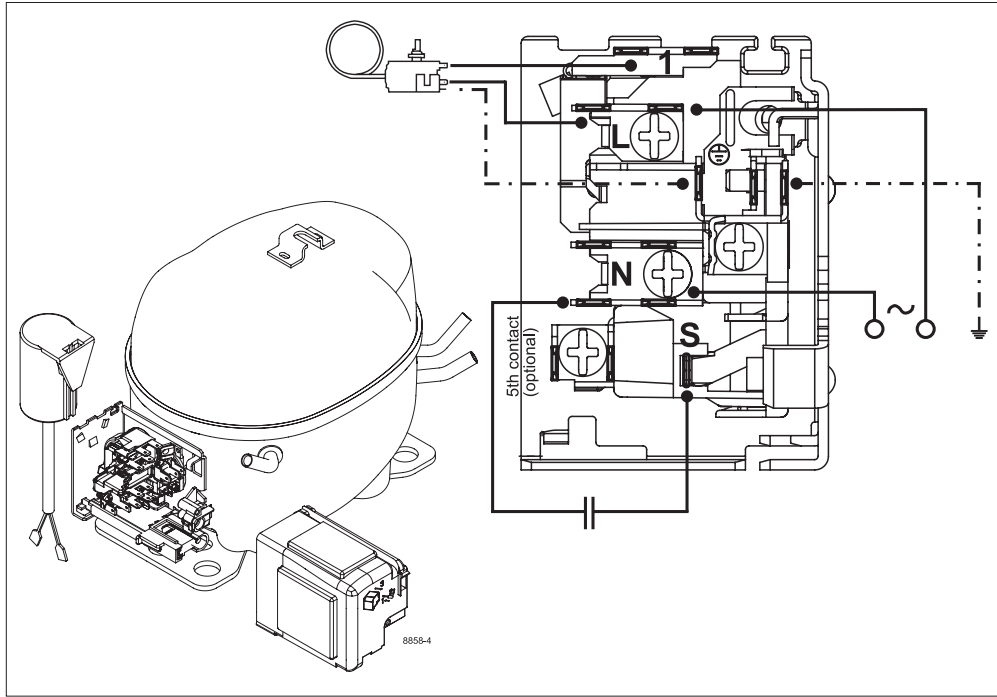
R600a, 220V/50Hz, RSCR, static, VDE

	pe		Cooling capacity			COP	EER		P1	I	m
	[°C]	[°F]	[W]	[Btu/h]	[kcal/h]	[W/W]	[Btu/Wh]	[kcal/Wh]	[W]	[A]	[kg/h]
[°C / °F]	-35	-31	83,2	284	71,6	1,16	3,98	1,00	71,5	0,39	0,99
cond. pressure	-30	-22	108,8	371	93,6	1,39	4,73	1,19	78,5	0,43	1,29
pc= 45/113	-25	-13	141,6	483	121,8	1,61	5,50	1,39	87,9	0,46	1,69
return gas temp.	-23	-10	154,3	527	132,8	1,69	5,76	1,45	91,5	0,47	1,84
RGT= 32/90	-20	-4	181,6	620	156,2	1,84	6,27	1,58	98,9	0,50	2,16
liquid temp	-15	5	228,7	781	196,9	2,06	7,03	1,77	111,1	0,53	2,73
Tliq= 45/113	-5	23	344,6	1177	296,6	2,52	8,60	2,17	136,8	0,61	4,14
[°C / °F]	-35	-31	70,5	241	60,6	0,99	3,37	0,85	71,3	0,38	0,92
cond. pressure	-30	-22	94,7	323	81,5	1,16	3,96	1,00	81,7	0,42	1,23
pc= 55/131	-25	-13	125,5	429	108,0	1,33	4,55	1,15	94,1	0,47	1,64
return gas temp	-23	-10	137,5	469	118,3	1,39	4,76	1,20	98,7	0,48	1,79
RGT= 32/90	-20	-4	162,8	556	140,1	1,51	5,14	1,30	108,1	0,52	2,13
liquid temp	-15	5	206,6	706	177,8	1,68	5,73	1,44	123,1	0,56	2,71
Tliq= 55/131	-5	23	313,7	1071	270,0	2,04	6,96	1,75	154,0	0,66	4,13

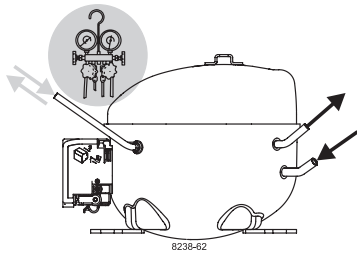


K-Series Compressors

GTK, HKK, HMK, HTK, HXK, HZK

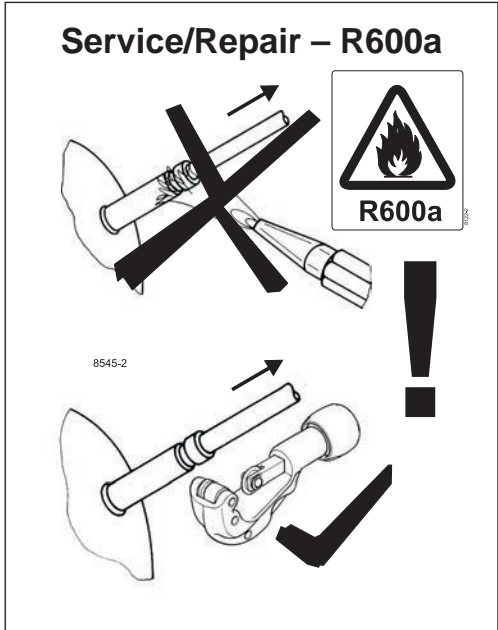
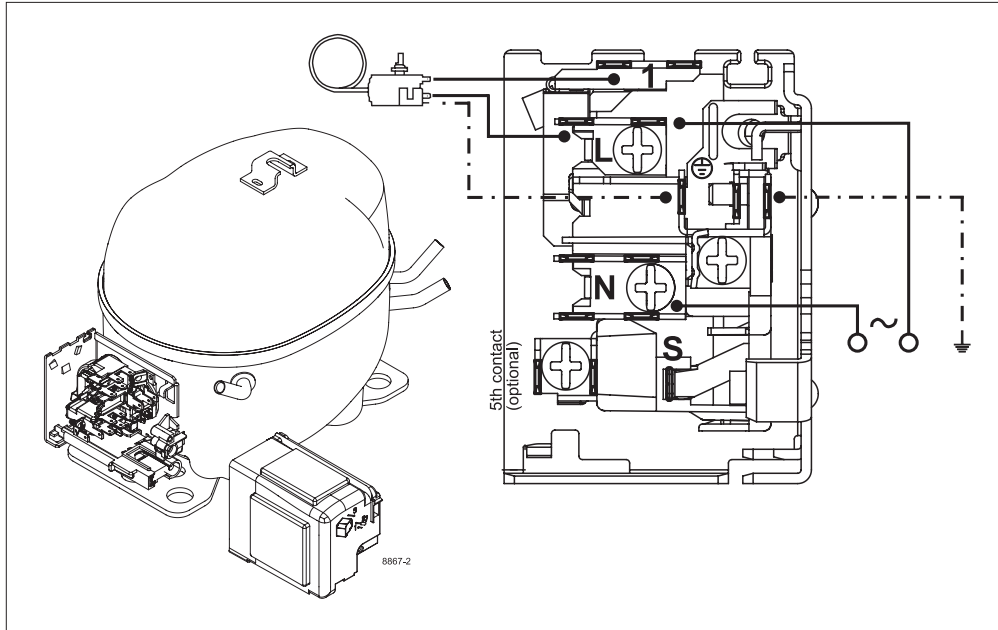


Service/Repair – R600a



K-Series Compressors

GTK, HKK, HMK, HTK, HXK, HZK



Secop accepts no responsibility for possible errors in catalogs, brochures, and other printed material. Secop reserves the right to alter its products without notice. This also applies to products already on order provided that such alterations can be made without subsequential changes being necessary to specifications already agreed. All trademarks in this material are the property of the respective companies. Secop and the Secop logotype are trademarks of Secop GmbH. All rights reserved. www.secop.com