

Single Pack NLE9KTK 220-240V 50/60Hz RSIR

Single pack code number: **195B4563**

| Position | Title | Code | Amount |
|----------|--|----------|--------|
| 1 | Compressor NLE9KTK | 105H6071 | 1 |
| 2 | PTC starting device (220V, 250hm, 4.8mm) | 103N0018 | 1 |
| 3 | Cord relief | 103N1010 | 1 |
| 4 | Protection screen for PTC | 103N0476 | 1 |
| 5 | Cover | 103N2010 | 1 |
| 6 | Bolt joint for one compressor M6 ø16mm | 118-1917 | 1 |

Secop GmbH • Lise-Meitner-Straße 29 • 24941 Flensburg, Germany • Tel: +49 461 4941 0 • www.secop.com

Secop accepts no responsibility for possible errors in catalogs, brochures, and other printed material. Secop reserves the right to alter its products without notice. This also applies to products already on order provided that such alterations can be made without subsequent changes being necessary to specifications already agreed. All trademarks in this material are the property of the respective companies. Secop and the Secop logotype are trademarks of Secop GmbH. All rights reserved.

Model

| | | | | | |
|-------------|----------------|-------------------------|-------------------------|-------------|-----------------|
| Designation | NLE9KTK | 220-240V/50Hz 1~ | 220-240V/60Hz 1~ | Sales code: | 105H6071 |
|-------------|----------------|-------------------------|-------------------------|-------------|-----------------|

Compressor design

| | | | |
|----------------------------|---------------------------------|-----------------------|---------------------------------|
| Oil type | Mineral | Refrigerant(s) | R600a |
| Oil viscosity | 15cST | Displacement | 8,35cm ³ / 0,51cu.in |
| Oil quantity | 300cm ³ / 10,1fl.oz | Compressors on pallet | 80 |
| Refr. charge - tech. limit | 150g / 5,3oz | | |
| Free gas volume comp. | 2360cm ³ / 79,8fl.oz | | |
| Weight | 10kg / 22lbs | | |
| Motor protection | 1# internal | | |
| Winding resistance main | 14,9Ω (at 25°C) | | |
| Winding resistance aux | 17,9Ω (at 25°C) | | |
| Max. winding temp. | 125°C / 257°F | | |
| Max. discharge temp. | 130°C / 266°F | | |



General - Configurations with NLE9KTK

| | Conf. 1 | Conf. 2 | Conf. 3 |
|------------------------|----------------|----------------|----------------|
| Motorconfiguration | RSIR | RSCR | RSCR |
| Power supply (nominal) | 220-240V/50Hz | 220-240V/50Hz | 220-240V/60Hz |
| Number of phases | 1 | 1 | 1 |
| Voltage range | 187-254V | 187-254V | 198-253V |
| Approvals | VDE | VDE | VDE |
| Starting torque | LST | LST | LST |
| Note | - / - | | |

Applications with NLE9KTK

| | Conf. 1 | Conf. 2 | Conf. 3 |
|-------------------------|----------------|----------------|----------------|
| Refrigerant | R600a | R600a | R600a |
| Application | LBP | LBP | LBP |
| System cooling | static | static | static |
| Hot gas defrost | - / - | - / - | - / - |
| Long interval pull down | - / - | - / - | - / - |

Electrical data - Configurations with NLE9KTK

| | Conf. 1 | Conf. 2 | Conf. 3 |
|------------------------------|----------------|----------------|----------------|
| Starting device type | PTC | PTC | PTC |
| Run capacitor | - / - | 4μF | 4μF |
| Start capacitor | - / - | - / - | - / - |
| LRA (locked rotor amps / 4s) | 5A | 5A | 5A |
| RLA (rated load amps / 1s) | 0,9A | 0,9A | 0,9A |
| Cut in current | 9,4A | 9,4A | 9,4A |

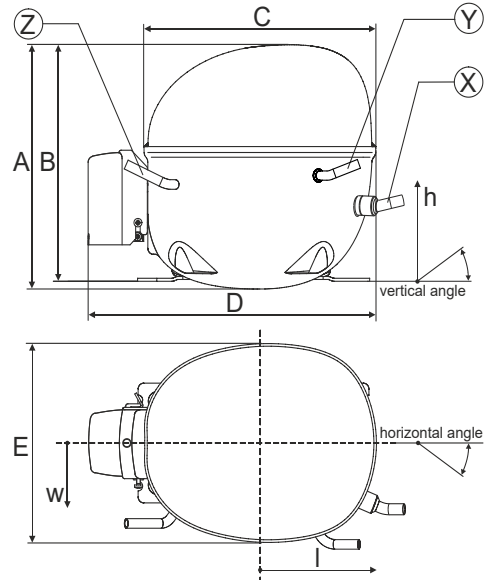
Model

Designation **NLE9KTK** 220-240V/50Hz 1~ 220-240V/60Hz 1~ Sales code: **105H6071**

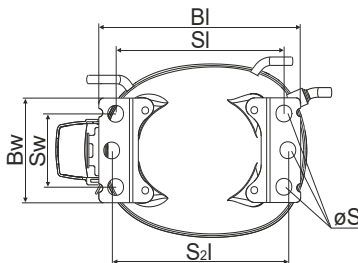
Compressor dimensions

| | | |
|----------------|-------------------|----------------|
| Housing | A Height | 197mm / 7,76in |
| | B Height | 191mm / 7,52in |
| | C Length shell | 205mm / 8,07in |
| | D Length w. cover | 254mm / 10in |
| | E Width | 166mm / 6,54in |

| Connectors | | Suction | Discharge | Process |
|-------------------|----------------------------|----------------|------------------|----------------|
| | | X | Y | Z |
| Diameter | [mm] | øi 6,11-6,29 | øi 5,12-5,22 | øi 6,11-6,29 |
| | (i:inside, o:outside) [in] | øi 0,24-0,25 | øi 0,2-0,21 | øi 0,24-0,25 |
| Material | | copper | copper | copper |
| Horizontal angle | ±2° | 0° | 0° | 0° |
| Vertical angle | ±2° | 15° | 35° | 155° |
| Position l/h/w | [mm] | 126/76/78 | 133/103/54 | -107/94/72 |
| | [in] | 4,9/3/3,1 | 5,2/4/2,1 | -4,2/3,7/2,8 |
| Straight tube l. | [mm] | 12 | 12 | 12 |
| | [in] | 0,5 | 0,5 | 0,5 |



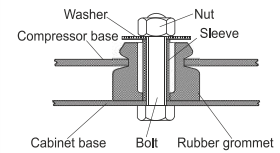
Compressor fixation



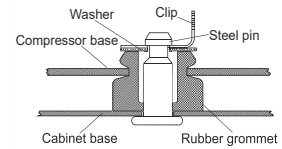
| Baseplate | [mm] | [inch] |
|-----------|------|--------|
| Bi | 204 | 8.03 |
| Bw | 100 | 3.94 |

| Small holes | [mm] | [inch] |
|-------------|------|--------|
| Si | 170 | 6.7 |
| Sw | 70 | 2.76 |
| S2l | 178 | 7 |
| øS | ø 16 | ø 0.63 |

Bolt joint



Snap-on



| Mounting accessories | one comp. | multi pack |
|-----------------------------|-----------|------------|
| Bolt joint M6 ø16mm | 118-1917 | 118-1918 |
| Bolt joint ø1/4" ø16mm | 118-1946 | |
| Snap-on ø7,3 ø16mm | 118-1947 | 118-1919 |

Model

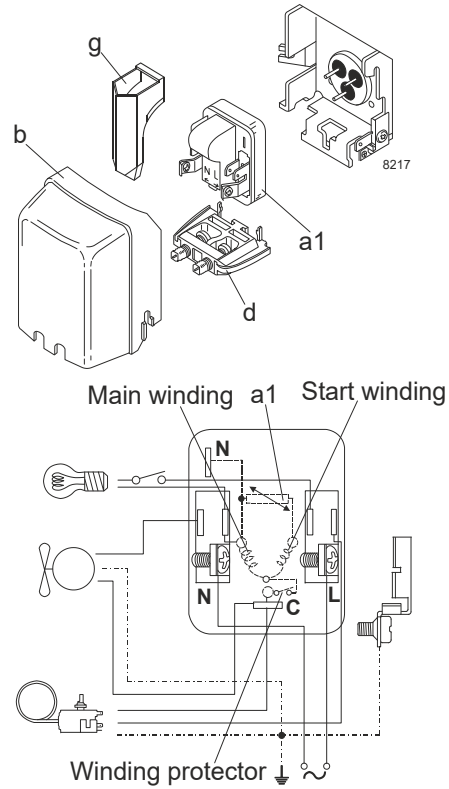
| | | | | | |
|-------------|----------------|----------------------|----------------|-------------|-----------------|
| Designation | NLE9KTK | 220-240V/50Hz | Conf. 1 | Sales code: | 105H6071 |
|-------------|----------------|----------------------|----------------|-------------|-----------------|

Configuration

| | |
|------------------------|------------------|
| Motorconfiguration | RSIR |
| Power supply (nominal) | 220-240V/50Hz 1~ |
| Refrigerant | R600a |
| Application | LBP |
| Voltage range | 187-254V |
| Starting torque | LST |
| Approvals | VDE |

Electrical accessories / wiring diagram

RSIR

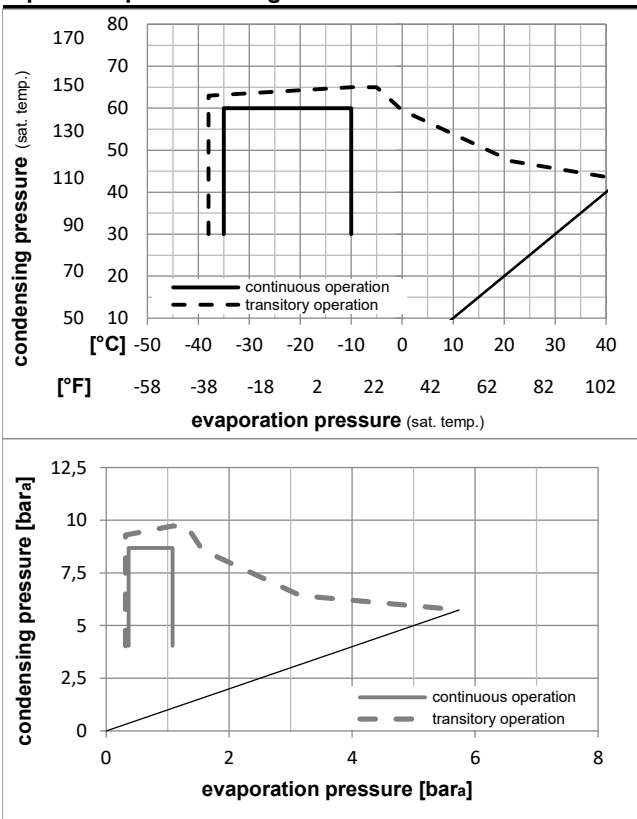


Ambient temperatures / system cooling

| | |
|---------------------------|--------------|
| Ambient temperature min.: | 10°C / 50°F |
| Ambient temperature max.: | 43°C / 110°F |

| System cooling (n/a: outside limits) | | | |
|--------------------------------------|--------|-----|-----|
| T ambient | LBP | MBP | HBP |
| 32°C / 90°F | static | n/a | n/a |
| 38°C / 100°F | static | n/a | n/a |
| 43°C / 110°F | static | n/a | n/a |

Operation pressure range



Components

| | | |
|----|----------------------------------|----------|
| a1 | PTC starter (220V, 250hm, 4.8mm) | 103N0018 |
| b | plastic cover | 103N2010 |
| d | cord relief | 103N1010 |
| g | protection screen for PTC | 103N0476 |

Alternative components

| | | |
|----|----------------------------------|----------|
| a1 | PTC starter (220V, 250hm, 6.3mm) | 103N0011 |
| b | plastic cover | 103N2011 |
| d | cord relief | 103N1010 |
| g | protection screen for PTC | 103N0476 |

Model

Designation **NLE9KTK 220-240V/50Hz** Conf. 1 Sales code: **105H6071**

Optimization + standard conditions

R600a, 220V/50Hz, RSIR, static, VDE

| | | Evaporating pressure (saturation temperature) | | | | Condensing pressure (saturation temperature) | | | | | | Power consumption | | | |
|------|-------|---|------|------|-------|--|---------|----------|-------|----------|-----------|---------------------|------|-------------|----------------|
| | | Return gas temp. | | | | Liquid temp. | | | | | | Current consumption | | | Ref. mass flow |
| | | Cooling capacity | | | | COP | | EER | | P1 | I | m | | | |
| | | pe | pc | RGT | Tliq | [W] | [Btu/h] | [kcal/h] | [W/W] | [Btu/Wh] | [kcal/Wh] | [W] | [A] | [kg/h] | |
| [°C] | -23,3 | 54,4 | 32,2 | 32,2 | 131,0 | 447 | 112,7 | 1,32 | 4,52 | 1,14 | 98,9 | 0,76 | 1,41 | ASHRAE LBP | |
| [°F] | -10 | 130 | 90 | 90 | | | | | | | | | | | |
| [°C] | -25 | 55 | 32 | 55 | 98,0 | 335 | 84,4 | 1,03 | 3,52 | 0,89 | 95,0 | 0,75 | 1,28 | cecomaf LBP | |
| [°F] | -13 | 131 | 89,6 | 131 | | | | | | | | | | | |
| [°C] | -35 | 40 | 20 | 40 | 63,5 | 217 | 54,7 | 0,90 | 3,07 | 0,77 | 70,8 | 0,66 | 0,77 | EN12900 LBP | |
| [°F] | -31 | 104 | 68 | 104 | | | | | | | | | | | |
| [°C] | -23,3 | 48,9 | 4,44 | 48,9 | 106,5 | 364 | 91,6 | 1,08 | 3,70 | 0,93 | 98,4 | 0,76 | 1,56 | ARI540 LBP | |
| [°F] | -10 | 120 | 40 | 120 | | | | | | | | | | | |
| [°C] | -23,3 | 40,6 | 32,2 | 32,2 | 140,8 | 481 | 121,1 | 1,46 | 4,98 | 1,25 | 96,6 | 0,75 | 1,51 | AHAM LBP | |
| [°F] | -10 | 105 | 90 | 90 | | | | | | | | | | | |
| [°C] | -35 | 45 | 32 | 45 | 61,8 | 211 | 53,2 | 0,86 | 2,92 | 0,74 | 72,3 | 0,67 | 0,73 | opt | |
| [°F] | -31 | 113 | 89,6 | 113 | | | | | | | | | | | |

Performance tables

R600a, 220V/50Hz, RSIR, static, VDE

| | pe | Cooling capacity | | | | COP | | EER | | P1 | I | m |
|------------------|-------|------------------|-------|---------|----------|-------|----------|-----------|-------|------|--------|---|
| | [°C] | [°F] | [W] | [Btu/h] | [kcal/h] | [W/W] | [Btu/Wh] | [kcal/Wh] | [W] | [A] | [kg/h] | |
| [°C / °F] | -35 | -31 | 61,8 | 211 | 53,2 | 0,86 | 2,92 | 0,74 | 72,3 | 0,67 | 0,73 | |
| cond. pressure | -30 | -22 | 84,4 | 288 | 72,6 | 1,03 | 3,51 | 0,88 | 82,2 | 0,70 | 1,00 | |
| pc= 45/113 | -25 | -13 | 113,0 | 386 | 97,3 | 1,21 | 4,12 | 1,04 | 93,6 | 0,74 | 1,35 | |
| return gas temp. | -23,3 | -10 | 124,3 | 425 | 107,0 | 1,27 | 4,34 | 1,09 | 97,7 | 0,75 | 1,48 | |
| RGT= 32/90 | -20 | -4 | 148,8 | 508 | 128,0 | 1,40 | 4,79 | 1,21 | 106,0 | 0,78 | 1,77 | |
| liquid temp | -15 | 5 | 192,8 | 658 | 165,9 | 1,62 | 5,55 | 1,40 | 118,7 | 0,81 | 2,30 | |
| Tliq= 45/113 | -10 | 14 | 246,2 | 841 | 211,9 | 1,88 | 6,41 | 1,62 | 131,2 | 0,85 | 2,95 | |
| [°C / °F] | -35 | -31 | 54,3 | 186 | 46,8 | 0,72 | 2,45 | 0,62 | 75,7 | 0,67 | 0,71 | |
| cond. pressure | -30 | -22 | 73,8 | 252 | 63,5 | 0,88 | 2,99 | 0,75 | 84,3 | 0,71 | 0,96 | |
| pc= 55/131 | -25 | -13 | 98,0 | 335 | 84,4 | 1,03 | 3,52 | 0,89 | 95,0 | 0,75 | 1,28 | |
| return gas temp | -23,3 | -10 | 107,6 | 368 | 92,6 | 1,09 | 3,71 | 0,93 | 99,1 | 0,76 | 1,40 | |
| RGT= 32/90 | -20 | -4 | 128,3 | 438 | 110,4 | 1,20 | 4,08 | 1,03 | 107,3 | 0,78 | 1,68 | |
| liquid temp | -15 | 5 | 165,7 | 566 | 142,6 | 1,37 | 4,69 | 1,18 | 120,6 | 0,82 | 2,17 | |
| Tliq= 55/131 | -10 | 14 | 211,2 | 721 | 181,7 | 1,57 | 5,37 | 1,35 | 134,3 | 0,86 | 2,77 | |

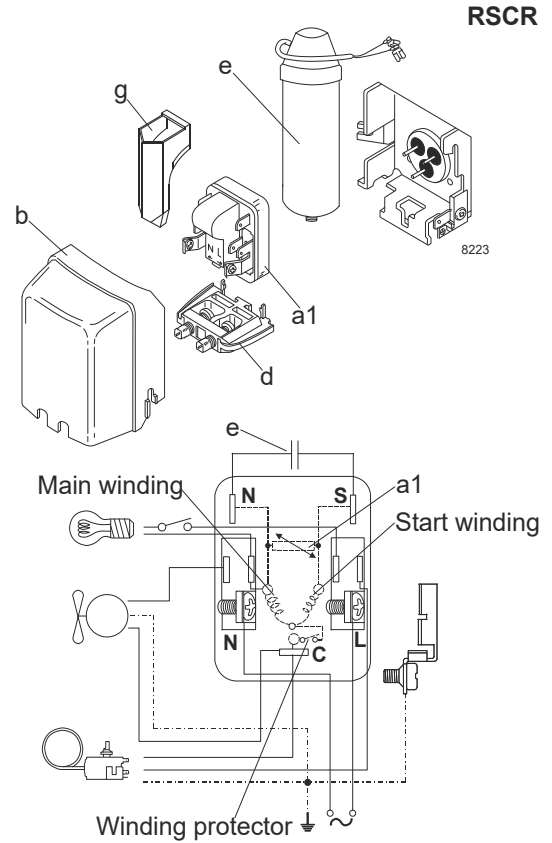
Model

| | | | | | |
|-------------|----------------|----------------------|----------------|-------------|-----------------|
| Designation | NLE9KTK | 220-240V/50Hz | Conf. 2 | Sales code: | 105H6071 |
|-------------|----------------|----------------------|----------------|-------------|-----------------|

Configuration

| | |
|------------------------|------------------|
| Motorconfiguration | RSCR |
| Power supply (nominal) | 220-240V/50Hz 1~ |
| Refrigerant | R600a |
| Application | LBP |
| Voltage range | 187-254V |
| Starting torque | LST |
| Approvals | VDE |

Electrical accessories / wiring diagram

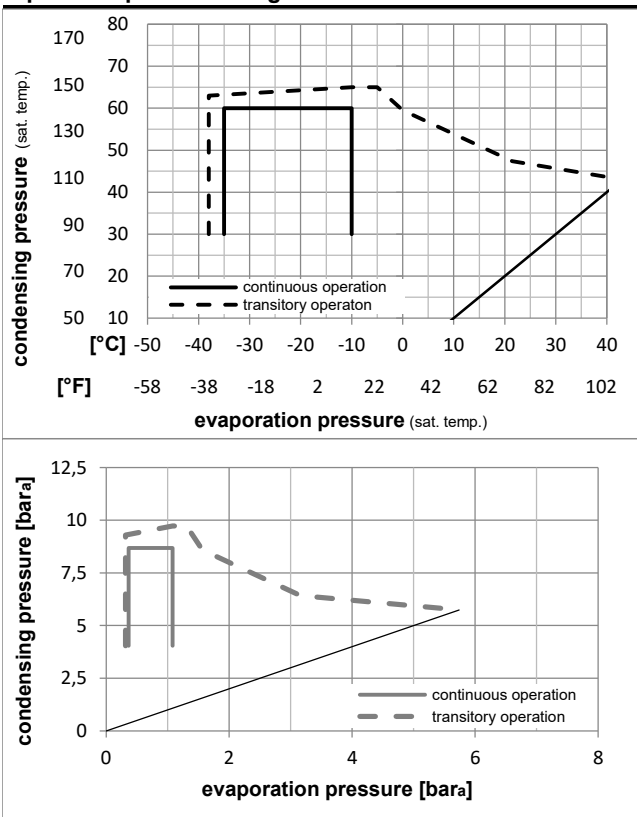


Ambient temperatures / system cooling

| | |
|---------------------------|--------------|
| Ambient temperature min.: | 10°C / 50°F |
| Ambient temperature max.: | 43°C / 110°F |

| System cooling (n/a: outside limits) | | | |
|--------------------------------------|--------|-----|-----|
| T ambient | LBP | MBP | HBP |
| 32°C / 90°F | static | n/a | n/a |
| 38°C / 100°F | static | n/a | n/a |
| 43°C / 110°F | static | n/a | n/a |

Operation pressure range



Components

| | | |
|----|-----------------------------------|----------|
| a1 | PTC starter (220V, 250ohm, 4.8mm) | 103N0021 |
| e | run capacitor (4μF, 4.8mm) | 117-7119 |
| b | plastic cover | 103N2010 |
| d | cord relief | 103N1010 |
| g | protection screen for PTC | 103N0476 |
| | bracket for run capacitor | 117-0300 |

Alternative components

| | | |
|----|-----------------------------------|----------|
| a1 | PTC starter (220V, 250ohm, 6.3mm) | 103N0016 |
| e | run capacitor (4μF, 6.3mm) | 117-7117 |
| b | plastic cover | 103N2011 |
| | screw M4x8mm | 117-0301 |

Model

| | | | | | |
|-------------|----------------|----------------------|----------------|-------------|-----------------|
| Designation | NLE9KTK | 220-240V/50Hz | Conf. 2 | Sales code: | 105H6071 |
|-------------|----------------|----------------------|----------------|-------------|-----------------|

Optimization + standard conditions

R600a, 220V/50Hz, RSCR, static, VDE

| | | Evaporating pressure (saturation temperature) | | | Condensing pressure (saturation temperature) | | | Return gas temp. | | Liquid temp. | | Cooling capacity | | | COP | EER | Power consumption | | | Ref. mass flow m | |
|------|------|---|------|------|--|-----|---------|------------------|-------|--------------|-----------|------------------|------|---------------------|-----|-----|-------------------|--|--|---------------------|--|
| | | pe | pc | RGT | Tliq | [W] | [Btu/h] | [kcal/h] | [W/W] | [Btu/Wh] | [kcal/Wh] | P1 | I | Current consumption | | | | | | | |
| [°C] | [°F] | | | | | | | | | | | [W] | [A] | [kg/h] | | | | | | | |
| [°C] | -23 | 54,4 | 32,2 | 32,2 | 132,3 | 452 | 113,8 | 1,38 | 4,71 | 1,19 | 96,0 | 0,74 | 1,42 | ASHRAE | | | | | | | |
| [°F] | -10 | 130 | 90 | 90 | | | | | | | | | | LBP | | | | | | | |
| [°C] | -25 | 55 | 32 | 55 | 99,0 | 338 | 85,2 | 1,07 | 3,67 | 0,92 | 92,2 | 0,73 | 1,29 | cecomaf | | | | | | | |
| [°F] | -13 | 131 | 89,6 | 131 | | | | | | | | | | LBP | | | | | | | |
| [°C] | -35 | 40 | 20 | 40 | 64,2 | 219 | 55,2 | 0,93 | 3,19 | 0,80 | 68,6 | 0,64 | 0,78 | EN12900 | | | | | | | |
| [°F] | -31 | 104 | 68 | 104 | | | | | | | | | | LBP | | | | | | | |
| [°C] | -23 | 48,9 | 4,44 | 48,9 | 107,5 | 367 | 92,6 | 1,13 | 3,85 | 0,97 | 95,4 | 0,73 | 1,57 | ARI540 | | | | | | | |
| [°F] | -10 | 120 | 40 | 120 | | | | | | | | | | LBP | | | | | | | |
| [°C] | -23 | 40,6 | 32,2 | 32,2 | 142,2 | 486 | 122,4 | 1,52 | 5,18 | 1,31 | 93,7 | 0,73 | 1,53 | AHAM | | | | | | | |
| [°F] | -10 | 105 | 90 | 90 | | | | | | | | | | LBP | | | | | | | |
| [°C] | -35 | 45 | 32 | 45 | 62,5 | 213 | 53,8 | 0,89 | 3,04 | 0,77 | 70,2 | 0,65 | 0,74 | opt | | | | | | | |
| [°F] | -31 | 113 | 89,6 | 113 | | | | | | | | | | | | | | | | | |

Performance tables

R600a, 220V/50Hz, RSCR, static, VDE

| | pe | | Cooling capacity | | | COP | EER | P1 | I | m | |
|------------------|------|------|------------------|---------|----------|-------|----------|-----------|-------|------|--------|
| | [°C] | [°F] | [W] | [Btu/h] | [kcal/h] | [W/W] | [Btu/Wh] | [kcal/Wh] | [W] | [A] | [kg/h] |
| [°C / °F] | -35 | -31 | 62,5 | 213 | 53,8 | 0,89 | 3,04 | 0,77 | 70,2 | 0,65 | 0,74 |
| cond. pressure | -30 | -22 | 85,2 | 291 | 73,4 | 1,07 | 3,65 | 0,92 | 79,7 | 0,68 | 1,01 |
| pc= 45/113 | -25 | -13 | 114,1 | 390 | 98,2 | 1,26 | 4,29 | 1,08 | 90,8 | 0,72 | 1,36 |
| return gas temp. | -23 | -10 | 125,6 | 429 | 108,1 | 1,32 | 4,52 | 1,14 | 94,8 | 0,73 | 1,50 |
| RGT= 32/90 | -20 | -4 | 150,3 | 513 | 129,3 | 1,46 | 4,99 | 1,26 | 102,8 | 0,75 | 1,79 |
| liquid temp | -15 | 5 | 194,7 | 665 | 167,6 | 1,69 | 5,78 | 1,46 | 115,2 | 0,79 | 2,33 |
| Tliq= 45/113 | -10 | 14 | 248,7 | 849 | 214,0 | 1,95 | 6,67 | 1,68 | 127,3 | 0,82 | 2,98 |
| [°C / °F] | -35 | -31 | 54,9 | 187 | 47,2 | 0,75 | 2,55 | 0,64 | 73,5 | 0,65 | 0,71 |
| cond. pressure | -30 | -22 | 74,5 | 254 | 64,1 | 0,91 | 3,11 | 0,78 | 81,7 | 0,69 | 0,97 |
| pc= 55/131 | -25 | -13 | 99,0 | 338 | 85,2 | 1,07 | 3,67 | 0,92 | 92,2 | 0,73 | 1,29 |
| return gas temp | -23 | -10 | 108,7 | 371 | 93,5 | 1,13 | 3,86 | 0,97 | 96,1 | 0,74 | 1,42 |
| RGT= 32/90 | -20 | -4 | 129,6 | 443 | 111,5 | 1,24 | 4,25 | 1,07 | 104,1 | 0,76 | 1,69 |
| liquid temp | -15 | 5 | 167,3 | 571 | 144,0 | 1,43 | 4,88 | 1,23 | 117,0 | 0,80 | 2,19 |
| Tliq= 55/131 | -10 | 14 | 213,3 | 728 | 183,6 | 1,64 | 5,59 | 1,41 | 130,3 | 0,83 | 2,80 |

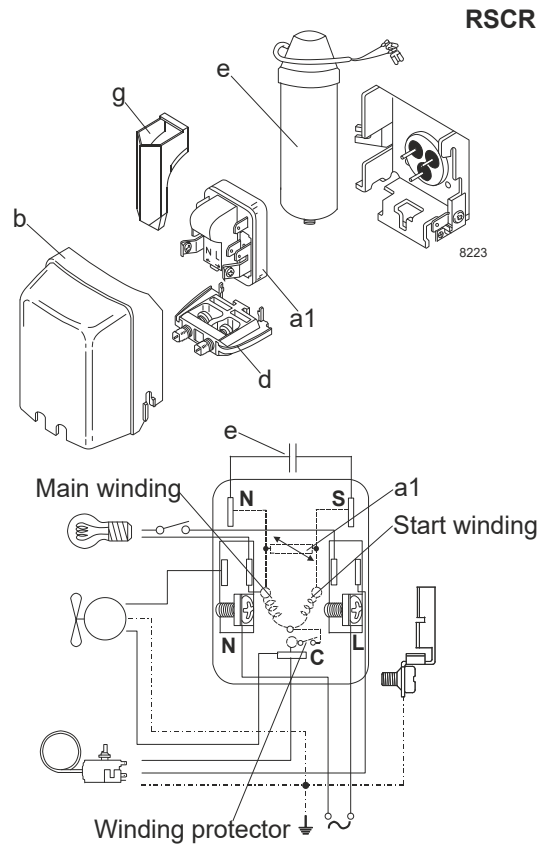
Model

| | | | | | |
|-------------|----------------|----------------------|----------------|-------------|-----------------|
| Designation | NLE9KTK | 220-240V/60Hz | Conf. 3 | Sales code: | 105H6071 |
|-------------|----------------|----------------------|----------------|-------------|-----------------|

Configuration

| | |
|------------------------|------------------|
| Motorconfiguration | RSCR |
| Power supply (nominal) | 220-240V/60Hz 1~ |
| Refrigerant | R600a |
| Application | LBP |
| Voltage range | 198-253V |
| Starting torque | LST |
| Approvals | VDE |

Electrical accessories / wiring diagram

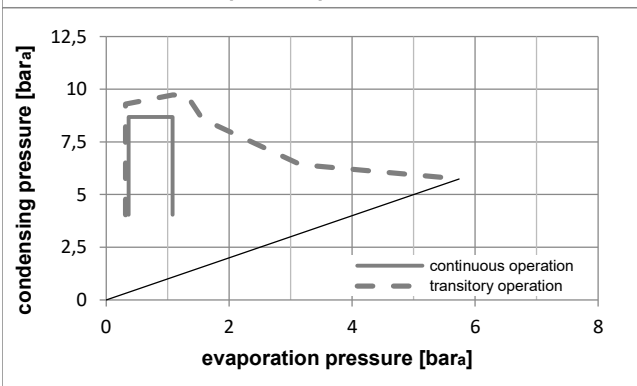
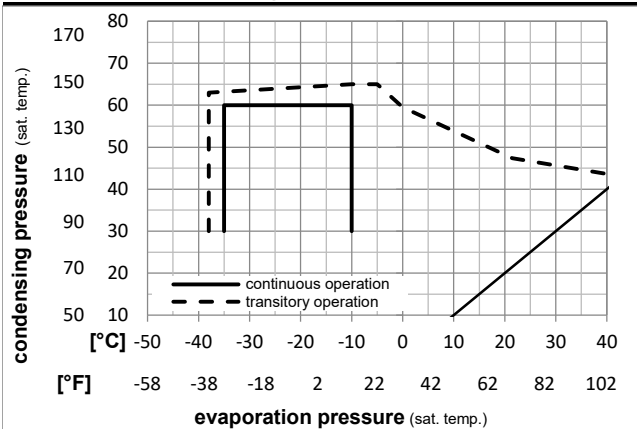


Ambient temperatures / system cooling

| | |
|---------------------------|--------------|
| Ambient temperature min.: | 10°C / 50°F |
| Ambient temperature max.: | 38°C / 101°F |

| System cooling (n/a: outside limits) | | | |
|--------------------------------------|------------|-----|-----|
| T ambient | LBP | MBP | HBP |
| 32°C / 90°F | static | n/a | n/a |
| 38°C / 100°F | static | n/a | n/a |
| 43°C / 110°F | fan 1,5m/s | n/a | n/a |

Operation pressure range



Components

| | | |
|----|----------------------------------|----------|
| a1 | PTC starter (220V, 250hm, 4.8mm) | 103N0021 |
| e | run capacitor (4μF, 4.8mm) | 117-7119 |
| b | plastic cover | 103N2010 |
| d | cord relief | 103N1010 |
| g | protection screen for PTC | 103N0476 |
| | bracket for run capacitor | 117-0300 |

Alternative components

| | | |
|----|----------------------------------|----------|
| a1 | PTC starter (220V, 250hm, 6.3mm) | 103N0016 |
| e | run capacitor (4μF, 6.3mm) | 117-7117 |
| b | plastic cover | 103N2011 |
| | screw M4x8mm | 117-0301 |

Model

| | | | | | |
|-------------|----------------|----------------------|----------------|-------------|-----------------|
| Designation | NLE9KTK | 220-240V/60Hz | Conf. 3 | Sales code: | 105H6071 |
|-------------|----------------|----------------------|----------------|-------------|-----------------|

Optimization + standard conditions

R600a, 220V/60Hz, RSCR, static, VDE

| | | Evaporating pressure (saturation temperature) | | | | Condensing pressure (saturation temperature) | | | | | Power consumption | | | | | | | | |
|------|-------|---|------|------|-------|--|---------|----------|--------------|----------|-------------------|------|------|-------------|-----|----|---|----------------|--|
| | | | | | | Return gas temp. | | | Liquid temp. | | Cooling capacity | | | COP | EER | P1 | I | Ref. mass flow | |
| | | pe | pc | RGT | Tliq | [W] | [Btu/h] | [kcal/h] | [W/W] | [Btu/Wh] | [kcal/Wh] | [W] | [A] | [kg/h] | | | | | |
| [°C] | -23,3 | 54,4 | 32,2 | 32,2 | 151,9 | 519 | 130,7 | 1,29 | 4,41 | 1,11 | 117,7 | 0,90 | 1,63 | ASHRAE LBP | | | | | |
| [°F] | -10 | 130 | 90 | 90 | | | | | | | | | | | | | | | |
| [°C] | -25 | 55 | 32 | 55 | 113,7 | 388 | 97,9 | 1,01 | 3,44 | 0,87 | 113,1 | 0,89 | 1,48 | cecomaf LBP | | | | | |
| [°F] | -13 | 131 | 89,6 | 131 | | | | | | | | | | | | | | | |
| [°C] | -35 | 40 | 20 | 40 | 73,7 | 252 | 63,4 | 0,88 | 2,99 | 0,75 | 84,2 | 0,79 | 0,90 | EN12900 LBP | | | | | |
| [°F] | -31 | 104 | 68 | 104 | | | | | | | | | | | | | | | |
| [°C] | -23,3 | 48,9 | 4,44 | 48,9 | 123,5 | 422 | 106,3 | 1,06 | 3,60 | 0,91 | 117,0 | 0,90 | 1,80 | ARI540 LBP | | | | | |
| [°F] | -10 | 120 | 40 | 120 | | | | | | | | | | | | | | | |
| [°C] | -23,3 | 40,6 | 32,2 | 32,2 | 163,3 | 558 | 140,5 | 1,42 | 4,85 | 1,22 | 114,9 | 0,89 | 1,75 | AHAM LBP | | | | | |
| [°F] | -10 | 105 | 90 | 90 | | | | | | | | | | | | | | | |
| [°C] | -35 | 45 | 32 | 45 | 71,7 | 245 | 61,7 | 0,83 | 2,85 | 0,72 | 86,1 | 0,79 | 0,85 | opt | | | | | |
| [°F] | -31 | 113 | 89,6 | 113 | | | | | | | | | | | | | | | |

Performance tables

R600a, 220V/60Hz, RSCR, static, VDE

| | pe | Cooling capacity | | | COP | | | EER | | | P1 | I | m |
|------------------|-------|------------------|-------|---------|----------|-------|----------|-----------|-------|------|--------|---|---|
| | [°C] | [°F] | [W] | [Btu/h] | [kcal/h] | [W/W] | [Btu/Wh] | [kcal/Wh] | [W] | [A] | [kg/h] | | |
| [°C / °F] | -35 | -31 | 71,7 | 245 | 61,7 | 0,83 | 2,85 | 0,72 | 86,1 | 0,79 | 0,85 | | |
| cond. pressure | -30 | -22 | 97,9 | 334 | 84,3 | 1,00 | 3,42 | 0,86 | 97,8 | 0,84 | 1,16 | | |
| pc= 45/113 | -25 | -13 | 131,1 | 448 | 112,8 | 1,18 | 4,02 | 1,01 | 111,4 | 0,88 | 1,56 | | |
| return gas temp. | -23,3 | -10 | 144,2 | 492 | 124,1 | 1,24 | 4,23 | 1,07 | 116,3 | 0,89 | 1,72 | | |
| RGT= 32/90 | -20 | -4 | 172,6 | 589 | 148,5 | 1,37 | 4,67 | 1,18 | 126,1 | 0,92 | 2,06 | | |
| liquid temp | -15 | 5 | 223,7 | 764 | 192,5 | 1,58 | 5,41 | 1,36 | 141,3 | 0,97 | 2,67 | | |
| Tliq= 45/113 | -10 | 14 | 285,6 | 975 | 245,8 | 1,83 | 6,25 | 1,57 | 156,1 | 1,01 | 3,42 | | |
| [°C / °F] | -35 | -31 | 63,0 | 215 | 54,2 | 0,70 | 2,39 | 0,60 | 90,1 | 0,80 | 0,82 | | |
| cond. pressure | -30 | -22 | 85,6 | 292 | 73,6 | 0,85 | 2,91 | 0,73 | 100,3 | 0,85 | 1,11 | | |
| pc= 55/131 | -25 | -13 | 113,7 | 388 | 97,9 | 1,01 | 3,44 | 0,87 | 113,1 | 0,89 | 1,48 | | |
| return gas temp | -23,3 | -10 | 124,8 | 426 | 107,4 | 1,06 | 3,62 | 0,91 | 117,9 | 0,90 | 1,63 | | |
| RGT= 32/90 | -20 | -4 | 148,8 | 508 | 128,1 | 1,17 | 3,98 | 1,00 | 127,7 | 0,93 | 1,94 | | |
| liquid temp | -15 | 5 | 192,2 | 656 | 165,4 | 1,34 | 4,57 | 1,15 | 143,6 | 0,98 | 2,52 | | |
| Tliq= 55/131 | -10 | 14 | 245,0 | 837 | 210,8 | 1,53 | 5,23 | 1,32 | 159,8 | 1,02 | 3,22 | | |

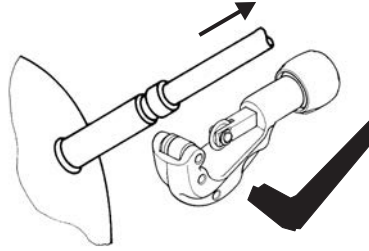


NL Compressors



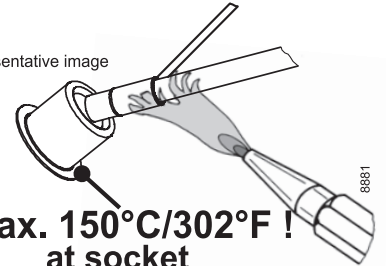


Service/Repair – R600a, R290



Brazing on Suction Connectors (Direct Intake)

representative image



**! max. 150°C/302°F !
at socket**
brazing solder: phosphor (LP7) or silver

Refer to Product Bulletin:
**Brazing on Suction Connectors
(Compressors with Direct Suction Intake)**

Secop accepts no responsibility for possible errors in catalogs, brochures, and other printed material. Secop reserves the right to alter its products without notice. This also applies to products already on order provided that such alterations can be made without subsequential changes being necessary to specifications already agreed. All trademarks in this material are the property of the respective companies. Secop and the Secop logotype are trademarks of Secop GmbH. All rights reserved. www.secop.com