

## Single Pack TFS4F 115-127V 60Hz RSIR

Single pack code number: **195B4583**

| Position | Title                                      | Code     | Amount |
|----------|--|----------|--------|
| 1        | Compressor TFS4F                           | 102G3411 | 1      |
| 2        | Bolt joint for one compressor   M6   ø16mm | 118-1917 | 1      |

**Secop GmbH** • Lise-Meitner-Straße 29 • 24941 Flensburg, Germany • Tel: +49 461 4941 0 • [www.secop.com](http://www.secop.com)

Secop accepts no responsibility for possible errors in catalogs, brochures, and other printed material. Secop reserves the right to alter its products without notice. This also applies to products already on order provided that such alterations can be made without subsequent changes being necessary to specifications already agreed. All trademarks in this material are the property of the respective companies. Secop and the Secop logotype are trademarks of Secop GmbH. All rights reserved.

## TFS4F Standard Compressor R134a 115-127V 60Hz

### General

|  |          |
|--|----------|
| Code number (pre-assembled RSIR start equipment) | 102G3411 |
| Approvals  | UL984    |
| Compressors on pallet                            | 100      |

### Application

| Application                                    | LBP |                  |
|--|-----|------------------|
| Frequency                                      | Hz  | 50      60       |
| Evaporating temperature                        | °F  | -      -31 to 14 |
| Voltage range                                  | V   | -      95 - 135  |
| Max. condensing temperature continuous (short) | °F  | -      140 (158) |
| Max. winding temperature continuous (short)    | °F  | -      257 (257) |

### Cooling requirements

| Frequency               | Hz | 50  |     |     | 60  |     |     |
|-------------------------|----|-----|-----|-----|-----|-----|-----|
| Application             |    | LBP | MBP | HBP | LBP | MBP | HBP |
| 90°F                    |    | -   | -   | -   | S   | -   | -   |
| 100°F                   |    | -   | -   | -   | S   | -   | -   |
| 110°F                   |    | -   | -   | -   | S   | -   | -   |
| Remarks on application: |    |     |     |     |     |     |     |

### Motor

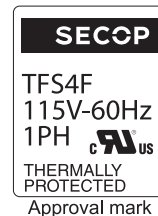
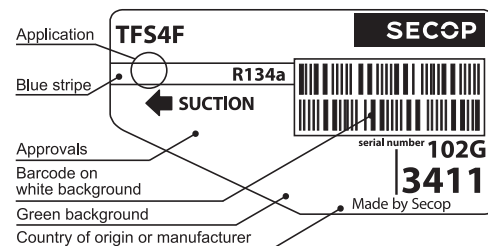
| Motor type                                | RSIR |              |
|---|------|--------------|
| LRA (rated after 4 sec. UL984), HST   LST | A    | -      18.9  |
| Cut in Current, HST   LST                 | A    | -      18.9  |
| Resistance, main   start winding (77°F)   | Ω    | 3.8      7.8 |

### Design

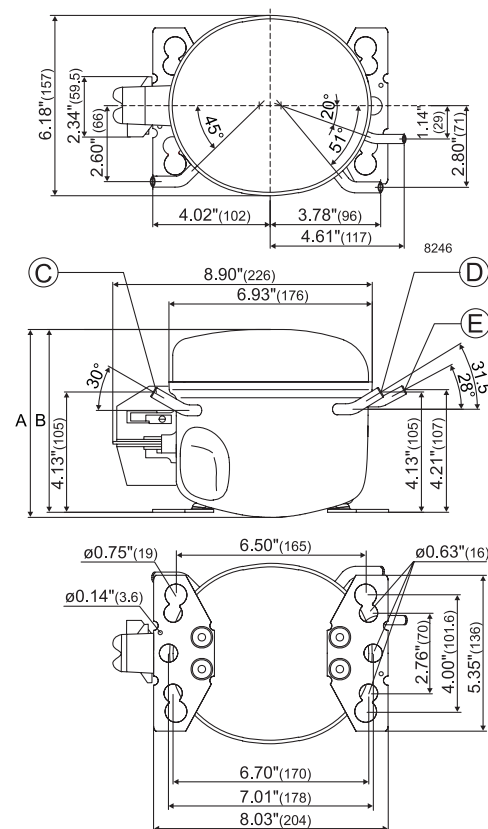
|                                     |        |                   |
|-------------------------------------|--------|-------------------|
| Displacement                        | cu.in  | 0.23              |
| Oil quantity (type)                 | fl.oz. | 6.1 (polyolester) |
| Maximum refrigerant charge          | oz.    | 14.0              |
| Free gas volume in compressor       | fl.oz. | 60.6              |
| Weight without electrical equipment | lbs.   | 16.5              |

### Dimensions

|                      |                            |    |                      |
|----------------------|----------------------------|----|----------------------|
| Height               | inch                       | A  | 6.81                 |
|                      |                            | B  | 6.65                 |
|                      |                            | B1 | -                    |
|                      |                            | B2 | -                    |
| Suction connector    | location, I.D. in.   angle | C  | 0.252-0.259   30°    |
|                      | material   comment         |    | Copper   Rubber plug |
| Process connector    | location, I.D. in.   angle | D  | 0.252-0.259   31.5°  |
|                      | material   comment         |    | Copper   Rubber plug |
| Discharge connector  | location, I.D. in.   angle | E  | 0.202-0.205   28°    |
|                      | material   comment         |    | Copper   Rubber plug |
| Oil cooler connector | location, I.D. in.   angle | F  | -                    |
|                      | material   comment         |    | -                    |
| Remarks:             |                            |    |                      |



- S = Static cooling normally sufficient
- O = Oil cooling
- F<sub>1</sub> = Fan cooling 1.5 m/s  
(compressor compartment temperature equal to ambient temperature)
- F<sub>2</sub> = Fan cooling 3.0 m/s necessary
- SG = Suction gas cooling normally sufficient
- = not applicable in this area



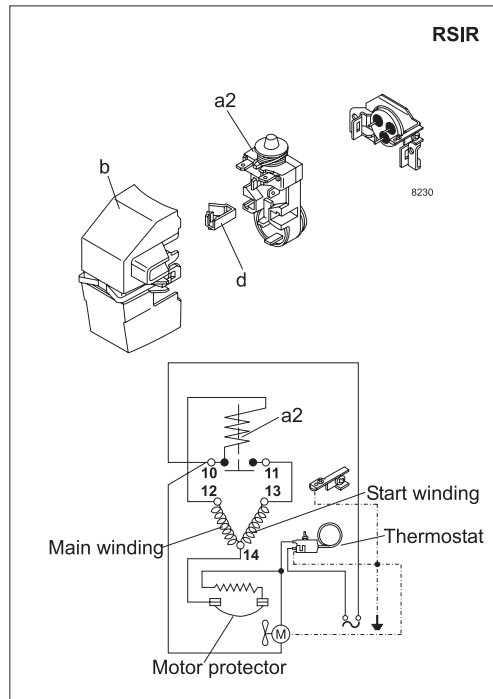
**ASHRAE LBP**

115V, 60Hz, static cooling

|                    |     |     |      |      |      |      |      |      |      |    |    |    |    |    |    |    |    |
|--------------------|-----|-----|------|------|------|------|------|------|------|----|----|----|----|----|----|----|----|
| Evap. temp. in °F  | -49 | -40 | -30  | -20  | -13  | -10  | 0    | 10   | 14   | 20 | 30 | 40 | 41 | 45 | 50 | 59 | 68 |
| Capacity in BTU/h  |     |     | 155  | 237  | 315  | 355  | 506  | 697  | 782  |    |    |    |    |    |    |    |    |
| Power cons. in W   |     |     | 60   | 79   | 92   | 97   | 114  | 132  | 139  |    |    |    |    |    |    |    |    |
| Current cons. in A |     |     | 1.46 | 1.53 | 1.59 | 1.62 | 1.71 | 1.82 | 1.87 |    |    |    |    |    |    |    |    |
| EER in BTU/Wh      |     |     | 2.58 | 3.00 | 3.44 | 3.66 | 4.43 | 5.28 | 5.62 |    |    |    |    |    |    |    |    |

**EN 12900 Household (CECOMAF)** 115V, 60Hz, static cooling

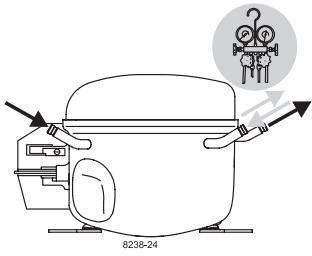
|                    |     |     |      |      |      |      |      |      |      |    |    |    |    |    |    |    |    |
|--------------------|-----|-----|------|------|------|------|------|------|------|----|----|----|----|----|----|----|----|
| Evap. temp. in °F  | -49 | -40 | -30  | -20  | -13  | -10  | 0    | 10   | 14   | 20 | 30 | 40 | 41 | 45 | 50 | 59 | 68 |
| Capacity in W      |     |     | 37   | 56   | 75   | 85   | 120  | 166  | 186  |    |    |    |    |    |    |    |    |
| Power cons. in W   |     |     | 60   | 79   | 92   | 97   | 114  | 132  | 139  |    |    |    |    |    |    |    |    |
| Current cons. in A |     |     | 1.46 | 1.53 | 1.59 | 1.62 | 1.71 | 1.82 | 1.87 |    |    |    |    |    |    |    |    |
| COP in W/W         |     |     | 0.61 | 0.71 | 0.82 | 0.87 | 1.05 | 1.26 | 1.34 |    |    |    |    |    |    |    |    |



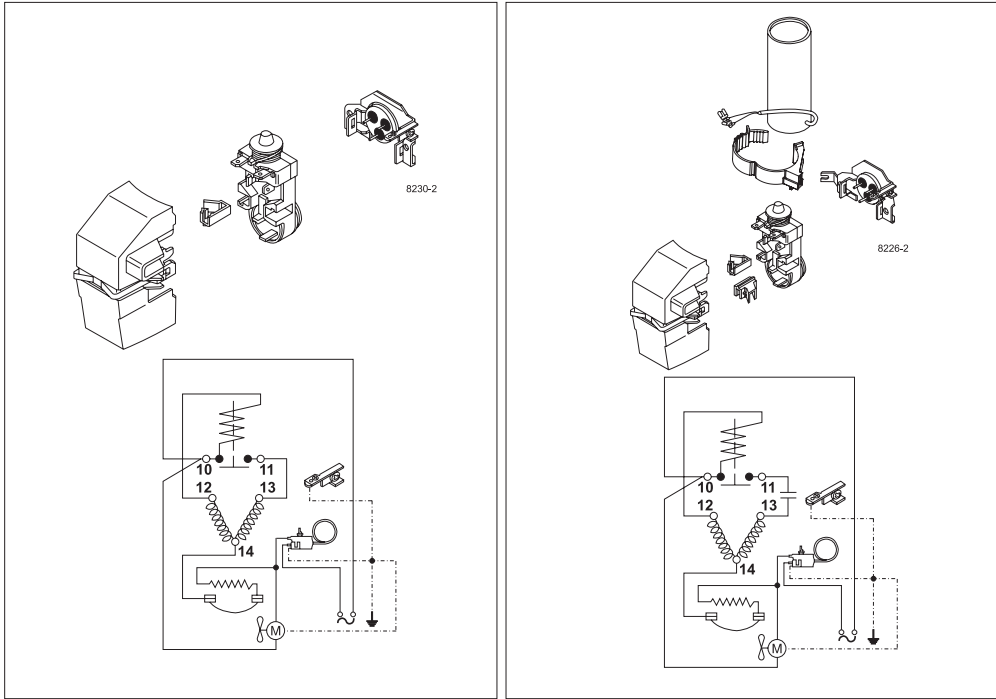
| Accessories for TFS4F<br>(pre-assembled RSIR start equipment) | Figure | Code number | Test conditions    | ASHRAE LBP | EN 12900/CECOMAF |
|---|--------|-------------|--------------------|------------|------------------|
| Starting relay (protector incl.)                              | a2     | 117U4122    | Condensing temp.   | 130°F      | 131°F            |
| Protector 3/4" Texas Instruments                              |        | MRP57JK-6   | Ambient temp.      | 90°F       | 90°F             |
| Protector 3/4" Electrica                                      |        | T 0727/06   | Suction gas temp.  | 90°F       | 90°F             |
| Cover   | b      | 117U1021    | Liquid temperature | 90°F       | 131°F            |
| Cord relief   | d      | 117U0349    |                    |            |                  |

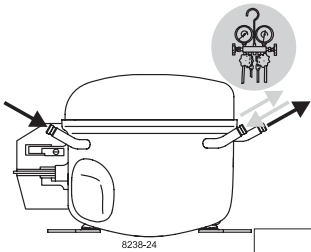
| Mounting accessories                | Code number |
|-------------------------------------|-------------|
| Bolt joint for one comp. Ø: 5/8 in. | 118-1917    |
| Bolt joint in quantities Ø: 5/8 in. | 118-1918    |
| Snap-on in quantities Ø: 5/8 in.    | 118-1919    |

Secop accepts no responsibility for possible errors in catalogs, brochures, and other printed material. Secop reserves the right to alter its products without notice. This also applies to products already on order provided that such alterations can be made without consequential changes being necessary to specifications already agreed. All trademarks in this material are the property of the respective companies. Secop and the Secop logotype are trademarks of Secop GmbH. All rights reserved. [www.secop.com](http://www.secop.com)

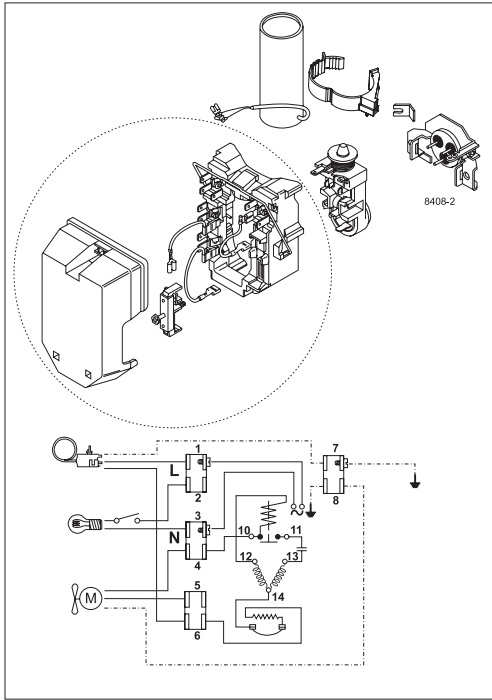
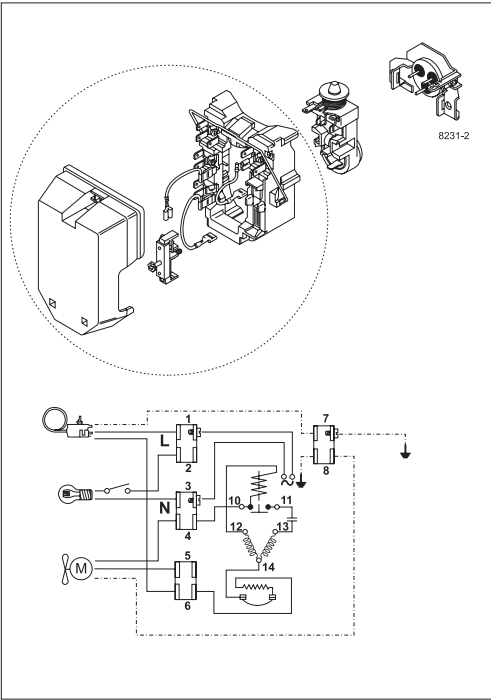


# TF Compressors





8238-24



Secop accepts no responsibility for possible errors in catalogs, brochures, and other printed material. Secop reserves the right to alter its products without notice. This also applies to products already on order provided that such alterations can be made without subsequential changes being necessary to specifications already agreed. All trademarks in this material are the property of the respective companies. Secop and the Secop logotype are trademarks of Secop GmbH. All rights reserved. [www.secop.com](http://www.secop.com)