

Single Pack HXK87AA 220-240V 50Hz RSCR

Single pack code number: **195B4601**

Position	Title	Code	Amount
1	Compressor HXK87AA	16364800	1
2	Screw for cable clamp	10636000	1
3	Screw for cable clamp	10636200	1
4	Cover	10636401	1
5	Rubber grommet 16.5mm	10639900	4
6	Sleeve	10640100	4
7	Earth screw	10641201	1
8	Run capacitor (4 μ F 420V, 4.8mm)	11261700	1
9	Cable clamp	11341000	1
10	e-PTC starting device (240V, overload protector AE18FU6)	15540500	1

Secop GmbH • Lise-Meitner-Straße 29 • 24941 Flensburg, Germany • Tel: +49 461 4941 0 • www.secop.com

Secop accepts no responsibility for possible errors in catalogs, brochures, and other printed material. Secop reserves the right to alter its products without notice. This also applies to products already on order provided that such alterations can be made without subsequent changes being necessary to specifications already agreed. All trademarks in this material are the property of the respective companies. Secop and the Secop logotype are trademarks of Secop GmbH. All rights reserved.

Model

Designation	HXK87AA	220-240V/50Hz 1~	Sales code:	16364800
-------------	----------------	------------------	-------------	-----------------

Compressor design

Oil type	Mineral	Refrigerant(s)	R600a
Oil viscosity	5cST	Displacement	8,8cm ³ / 0,54cu.in
Oil quantity	162cm ³ / 5,5fl.oz	Compressors on pallet	100
Refr. charge - tech. limit	150g / 5,3oz		
Free gas volume comp.	1560cm ³ / 52,7fl.oz		
Weight	8,6kg / 19lbs		
Motor protection	external		
Winding resistance main	22,4Ω (at 25°C)		
Winding resistance aux	15,3Ω (at 25°C)		
Max. winding temp.	130°C / 266°F		
Max. discharge temp.	130°C / 266°F		



General - Configurations with HXK87AA

	Conf. 1	Conf. 2
Motorconfiguration	eRSCR	RSCR
Power supply (nominal)	220-240V/50Hz	220-240V/50Hz
Number of phases	1	1
Voltage range	187-264V	187-264V
Approvals	VDE	VDE
Starting torque	LST	LST
Note	Various options of connectors are possible - please contact SECOP-Sales.	

Applications with HXK87AA

	Conf. 1	Conf. 2
Refrigerant	R600a	R600a
Application	LBP	LBP
System cooling	static	static
Hot gas defrost	-/-	-/-
Long interval pull down	-/-	-/-

Electrical data - Configurations with HXK87AA

	Conf. 1	Conf. 2
Starting device type	e-PTC	PTC
Run capacitor	4μF	4μF
Start capacitor	-/-	-/-
LRA (locked rotor amps / 4s/ U(N))		
RLA (rated load amps / 1s/ U(N))	-/-A	-/-A
Cut in current (U(N))		

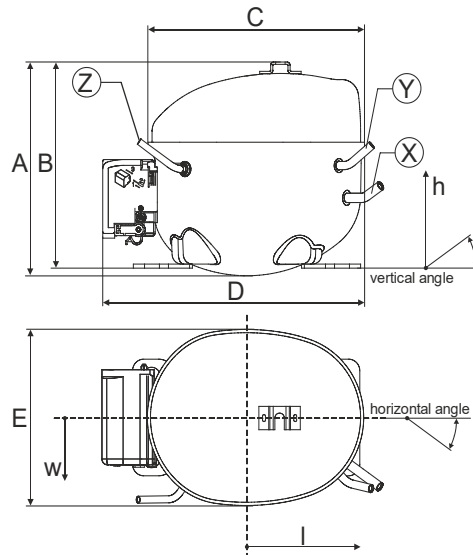
Model

Designation	HXK87AA	220-240V/50Hz 1~	Sales code:	16364800
-------------	----------------	------------------	-------------	-----------------

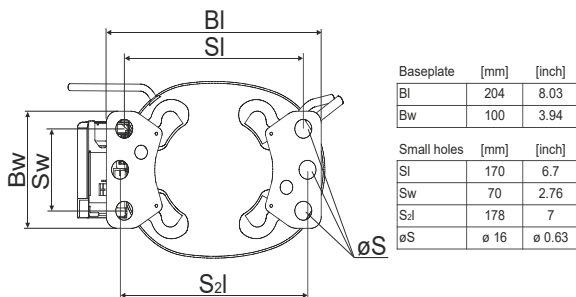
Compressor dimensions

Housing	A Height	182mm / 7,17in
	B Height	175mm / 6,89in
	C Length shell	194mm / 7,64in
	D Length w. cover	238mm / 9,37in
	E Width	151mm / 5,94in

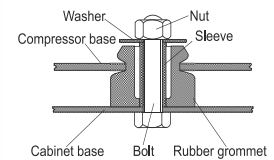
Connectors		Suction	Discharge	Process
		X	Y	Z
Diameter	[mm]	øi 6,16-6,24	øi 5,1-5,2	øi 6,11-6,29
	(i:inside, o:outside) [in]	øi 0,24-0,25	øi 0,2-0,2	øi 0,24-0,25
Material		copper	copper	copper
Horizontal angle	±2°	54°	35°	45°
Vertical angle	±2°	35°	40°	35°
Position l/h/w	[mm]	120/92/57	112/106/81	-86/94/72
	[in]	4,7/3,6/2,2	4,4/4,2/3,2	-3,4/3,7/2,8
Straight tube l.	[mm]	14	14	14
	[in]	0,5	0,5	0,5



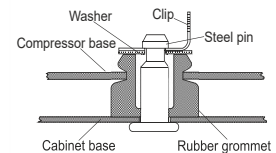
Compressor fixation



Bolt joint



Snap-on



Mounting accessories

'4ZN' with rubber grommet	order code	772N
'4ZN' with rubber grommet and sleeve for M6		768N
Bolt joint kit		4ZN + 118-1917 (18)
'4ZN' with Snap on kit		776N

Application notes

Provision for PE Grounding is located at the PE Stamp on the compressor Housing with dip-tray fixture (omega bracket).
 Various options of connectors are possible - please contact SECOP-Sales.

Model

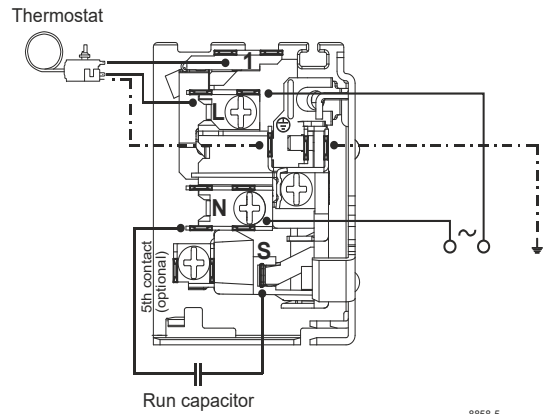
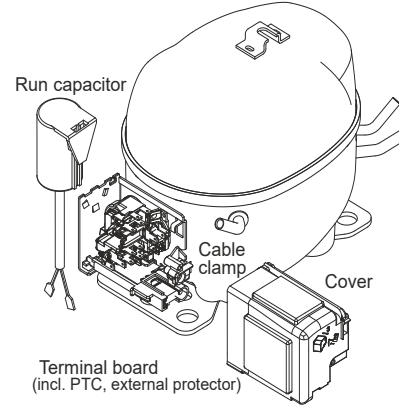
Designation	HXK87AA	220-240V/50Hz	Conf. 1	Sales code:	16364800
-------------	----------------	----------------------	---------	-------------	-----------------

Configuration

Motorconfiguration	eRSCR
Power supply (nominal)	220-240V/50Hz 1~
Refrigerant	R600a
Application	LBP
Voltage range	187-264V
Starting torque	LST
Approvals	VDE

Electrical accessories / wiring diagram

RSCR



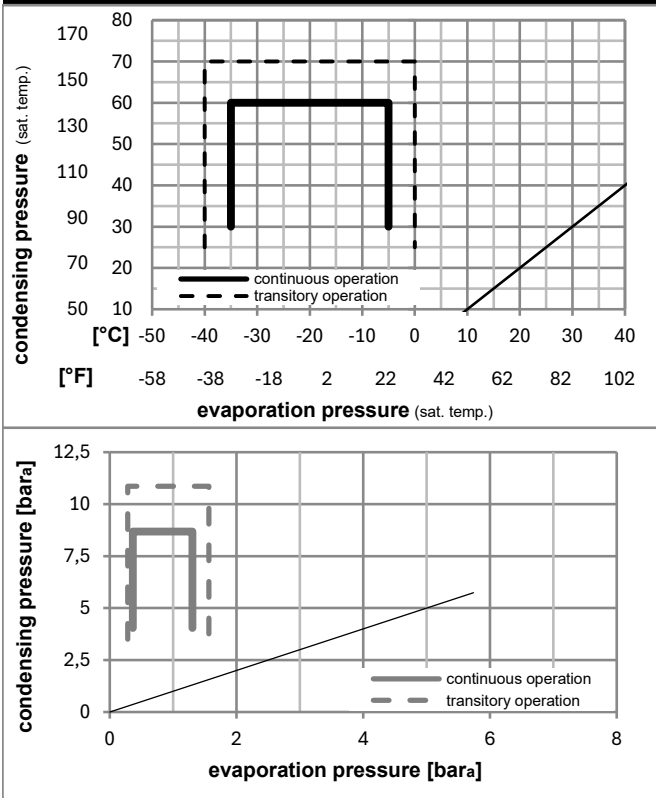
Ambient/ machine room temperatures minimum /maximum

Ambient temperature range: 10 - 43°C / 50 - 110°F

Machine room temperature range: 10 - 48°C / 50 - 119°F

Compressor cooling: static

Operation pressure range



Components

. terminal board (e-PTC, 4.8mm)	15540500
. run capacitor (4µF, 4.8mm)	11261700
b cover terminal board	10636401
. Cable clamp (screws not included)	11341000
. screw - uni6954	10636000
. screw - uni6954	10636200

Alternative components

. screw uni en iso 4757	10641201
-------------------------	----------

Model

Designation **HXK87AA** **220-240V/50Hz** Conf. 1 Sales code: **16364800**

Optimization + standard conditions

R600a, 220V/50Hz, eRSCR, static, VDE

	Evaporating pressure (saturation temperature)				Cooling capacity			COP	EER	P1	Power consumption		Ref. mass flow	ASHRAE LBP
	pe	pc	RGT	Tliq	[W]	[Btu/h]	[kcal/h]				I	m		
[°C]	[°C]	[°C]	[°C]	[W]	[Btu/h]	[kcal/h]	[W/W]	[Btu/Wh]	[kcal/Wh]	[W]	[A]	[kg/h]		
[°F]	-23	54	32	32	153,5	524	132,1	1,89	6,47	1,63	81,0	0,36	1,65	
	-10	130	90	90										
[°C]	-25	55	32	55	115,2	394	99,2	1,48	5,07	1,28	77,6	0,35	1,50	cecomaf LBP
[°F]	-13	131	90	131										
[°C]	-35	40	20	40	81,3	278	70,0	1,46	4,98	1,26	55,7	0,31	0,99	EN12900 LBP
[°F]	-31	104	68	104										
[°C]	-23	49	4,4	49	124,5	425	107,2	1,58	5,38	1,36	79,0	0,36	1,82	ARI540 LBP
[°F]	-10	120	40	120										
[°C]	-23	41	32	32	164,1	560	141,2	2,15	7,34	1,85	76,4	0,37	1,76	AHAM LBP
[°F]	-10	105	90	90										
[°C]	-35	45	32	45	77,5	265	66,7	1,39	4,73	1,19	55,9	0,30	0,92	opt
[°F]	-31	113	90	113										

Performance tables

R600a, 220V/50Hz, eRSCR, static, VDE

	pe		Cooling capacity			COP	EER		P1	I	m
	[°C]	[°F]	[W]	[Btu/h]	[kcal/h]		[Btu/Wh]	[kcal/Wh]			
[°C / °F]	-35	-31	77,5	265	66,7	1,39	4,73	1,19	55,9	0,30	0,92
cond. pressure	-30	-22	102,3	350	88,1	1,57	5,36	1,35	65,2	0,33	1,22
pc= 45/113	-25	-13	133,3	455	114,7	1,79	6,10	1,54	74,6	0,36	1,59
return gas temp.	-23	-10	145,1	496	124,9	1,87	6,37	1,61	77,8	0,37	1,73
RGT= 32/90	-20	-4	170,1	581	146,4	2,03	6,92	1,75	83,9	0,39	2,03
liquid temp	-15	5	213,0	727	183,3	2,29	7,82	1,97	93,1	0,42	2,54
Tliq= 45/113	-5	23	316,3	1080	272,2	2,86	9,77	2,46	110,5	0,50	3,80
[°C / °F]	-35	-31	64,9	222	55,8	1,15	3,94	0,99	56,2	0,28	0,84
cond. pressure	-30	-22	87,1	297	74,9	1,30	4,45	1,12	66,8	0,32	1,13
pc= 55/131	-25	-13	115,2	394	99,2	1,48	5,07	1,28	77,6	0,35	1,50
return gas temp	-23	-10	126,1	431	108,6	1,55	5,30	1,34	81,3	0,36	1,65
RGT= 32/90	-20	-4	149,2	510	128,4	1,69	5,76	1,45	88,5	0,39	1,95
liquid temp	-15	5	189,1	646	162,8	1,90	6,50	1,64	99,4	0,43	2,48
Tliq= 55/131	-5	23	286,2	977	246,3	2,37	8,09	2,04	120,8	0,53	3,77

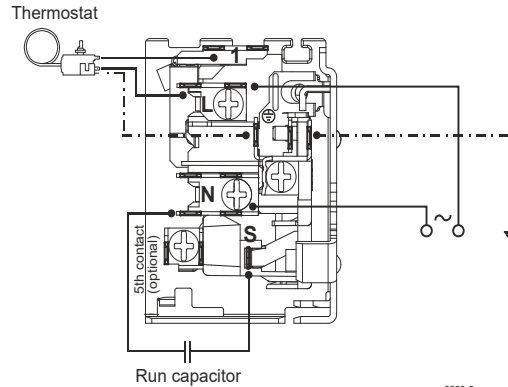
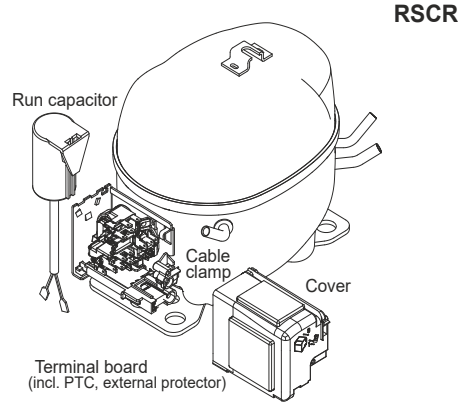
Model

Designation	HXK87AA	220-240V/50Hz	Conf. 2	Sales code:	16364800
-------------	----------------	----------------------	----------------	-------------	-----------------

Configuration

Motorconfiguration	RSCR
Power supply (nominal)	220-240V/50Hz 1~
Refrigerant	R600a
Application	LBP
Voltage range	187-264V
Starting torque	LST
Approvals	VDE

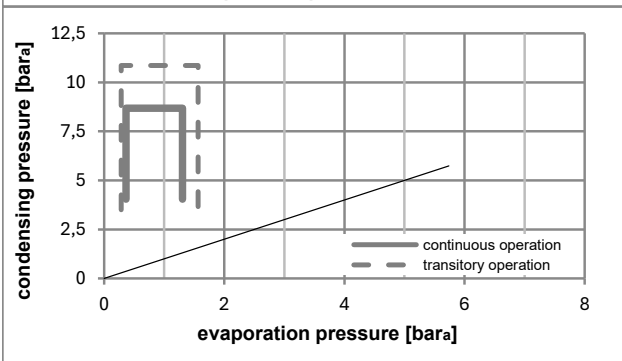
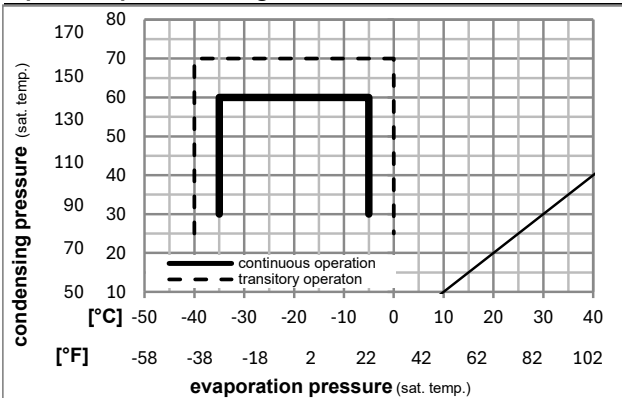
Electrical accessories / wiring diagram



Ambient/ machine room temperatures minimum /maximum

Ambient temperature range:	10 - 43°C / 50 - 110°F
Machine room temperature range:	10 - 48°C / 50 - 119°F
Compressor cooling:	static

Operation pressure range



Components

. terminal board (PTC, 6.3mm)	15279300
. run capacitor (4μF, 6.3mm)	15186801
b cover terminal board	10636401
. Cable clamp (screws not included)	11341000
. screw - uni6954	10636000
. screw - uni6954	10636200

Alternative components

. terminal board (PTC, 4.8mm)	15163500
. run capacitor (4μF, 4.8mm)	11261700
. screw uni en iso 4757	10641201

Model

Designation	HXK87AA	220-240V/50Hz	Conf. 2	Sales code:	16364800
-------------	----------------	----------------------	----------------	-------------	-----------------

Optimization + standard conditions

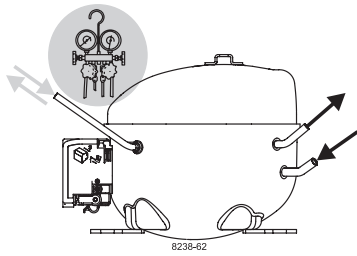
R600a, 220V/50Hz, RSCR, static, VDE

		Evaporating pressure (saturation temperature)				Cooling capacity			COP			EER			Power consumption			
		Condensing pressure (saturation temperature)		Return gas temp.		Liquid temp.								Current consumption			Ref. mass flow	
		pe	pc	RGT	Tliq	[W]	[Btu/h]	[kcal/h]	[W/W]	[Btu/Wh]	[kcal/Wh]	P1	I	m	[W]	[A]	[kg/h]	
[°C]	-23	54	32	32	153,5	524	132,1	1,89	6,47	1,63	81,0	0,36	1,65				ASHRAE LBP	
[°F]	-10	130	90	90														
[°C]	-25	55	32	55	115,2	394	99,2	1,48	5,07	1,28	77,6	0,35	1,50				cecomaf LBP	
[°F]	-13	131	90	131														
[°C]	-35	40	20	40	81,3	278	70,0	1,46	4,98	1,26	55,7	0,31	0,99				EN12900 LBP	
[°F]	-31	104	68	104														
[°C]	-23	49	4,4	49	124,5	425	107,2	1,58	5,38	1,36	79,0	0,36	1,82				ARI540 LBP	
[°F]	-10	120	40	120														
[°C]	-23	41	32	32	164,1	560	141,2	2,15	7,34	1,85	76,4	0,37	1,76				AHAM LBP	
[°F]	-10	105	90	90														
[°C]	-35	45	32	45	77,5	265	66,7	1,39	4,73	1,19	55,9	0,30	0,92				opt	
[°F]	-31	113	90	113														

Performance tables

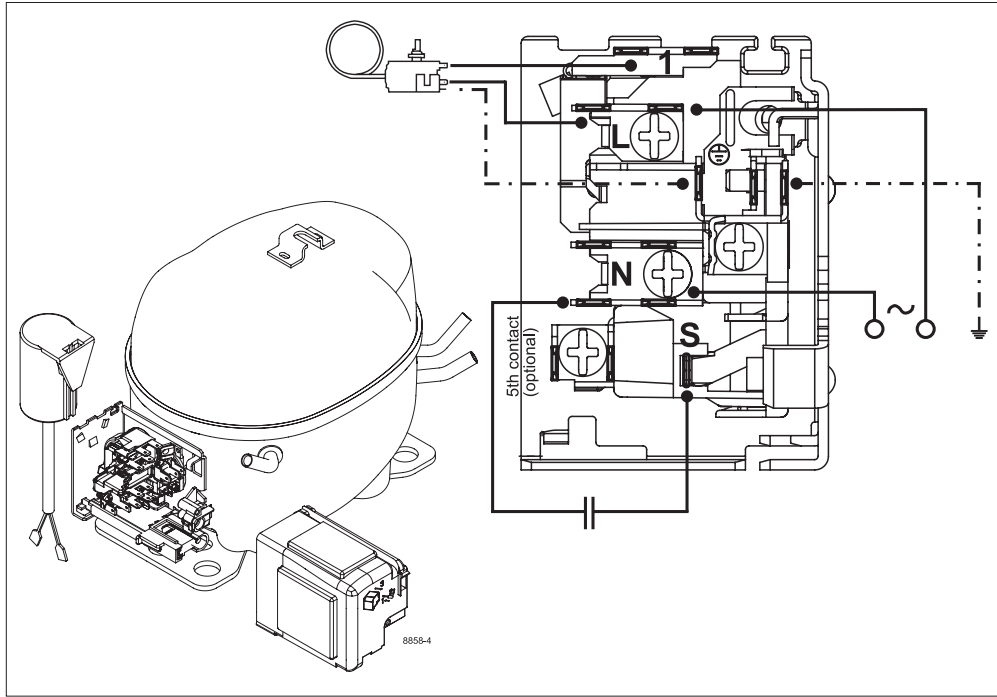
R600a, 220V/50Hz, RSCR, static, VDE

	pe		Cooling capacity			COP			EER			P1			I			m			
	[°C]	[°F]	[W]	[Btu/h]	[kcal/h]	[W/W]	[Btu/Wh]	[kcal/Wh]	[W]	[A]	[kg/h]	[W]	[A]	[kg/h]	[W]	[A]	[kg/h]	[W]	[A]	[kg/h]	
[°C / °F]	-35	-31	77,5	265	66,7	1,39	4,73	1,19	55,9	0,30	0,92										
cond. pressure	-30	-22	102,3	350	88,1	1,57	5,36	1,35	65,2	0,33	1,22										
pc= 45/113	-25	-13	133,3	455	114,7	1,79	6,10	1,54	74,6	0,36	1,59										
return gas temp.	-23	-10	145,1	496	124,9	1,87	6,37	1,61	77,8	0,37	1,73										
RGT= 32/90	-20	-4	170,1	581	146,4	2,03	6,92	1,75	83,9	0,39	2,03										
liquid temp	-15	5	213,0	727	183,3	2,29	7,82	1,97	93,1	0,42	2,54										
Tliq= 45/113	-5	23	316,3	1080	272,2	2,86	9,77	2,46	110,5	0,50	3,80										
[°C / °F]	-35	-31	64,9	222	55,8	1,15	3,94	0,99	56,2	0,28	0,84										
cond. pressure	-30	-22	87,1	297	74,9	1,30	4,45	1,12	66,8	0,32	1,13										
pc= 55/131	-25	-13	115,2	394	99,2	1,48	5,07	1,28	77,6	0,35	1,50										
return gas temp	-23	-10	126,1	431	108,6	1,55	5,30	1,34	81,3	0,36	1,65										
RGT= 32/90	-20	-4	149,2	510	128,4	1,69	5,76	1,45	88,5	0,39	1,95										
liquid temp	-15	5	189,1	646	162,8	1,90	6,50	1,64	99,4	0,43	2,48										
Tliq= 55/131	-5	23	286,2	977	246,3	2,37	8,09	2,04	120,8	0,53	3,77										



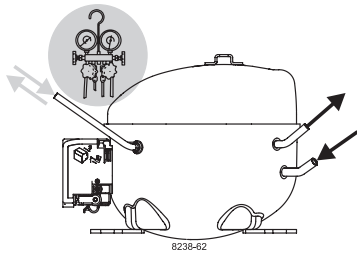
K-Series Compressors

GTK, HKK, HMK, HTK, HXK, HZK



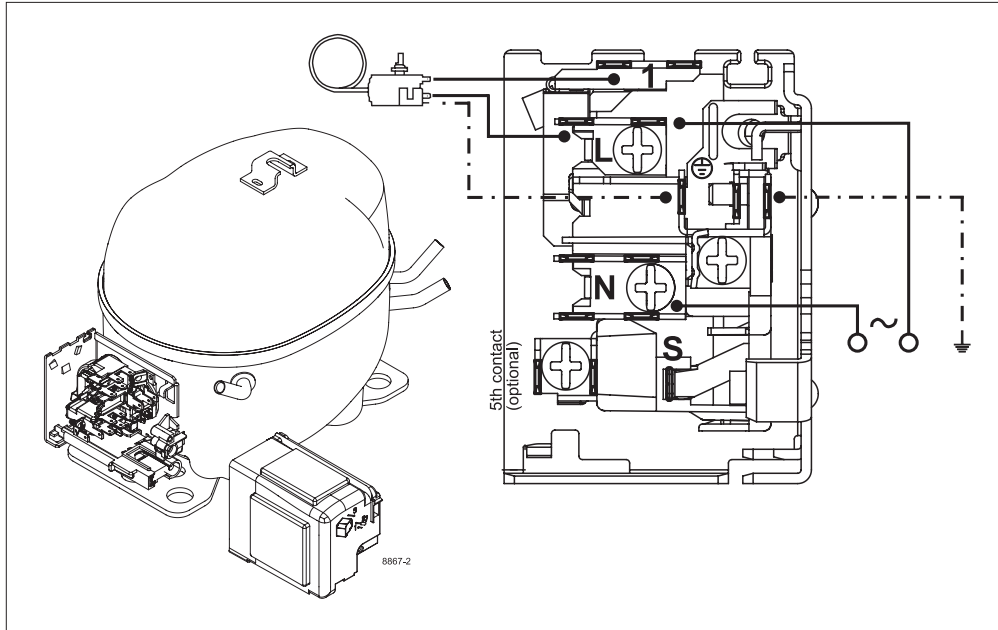
Service/Repair – R600a

8545-2



K-Series Compressors

GTK, HKK, HMK, HTK, HXK, HZK



Service/Repair – R600a

Secop accepts no responsibility for possible errors in catalogs, brochures, and other printed material. Secop reserves the right to alter its products without notice. This also applies to products already on order provided that such alterations can be made without subsequential changes being necessary to specifications already agreed. All trademarks in this material are the property of the respective companies. Secop and the Secop logotype are trademarks of Secop GmbH. All rights reserved. www.secop.com