

Single Pack NLV10CN 100-240V 50/60Hz PM

Single pack code number: **195B4604**

Position	Title	Code	Amount
1	Compressor NLV10CN	105H7003	1
2	Electronic unit NLV	105N4761	1
3	Cover	103N2008	1
4	Bolt joint for one compressor M6 ø16mm	118-1917	1

Secop GmbH • Lise-Meitner-Straße 29 • 24941 Flensburg, Germany • Tel: +49 461 4941 0 • www.secop.com

Secop accepts no responsibility for possible errors in catalogs, brochures, and other printed material. Secop reserves the right to alter its products without notice. This also applies to products already on order provided that such alterations can be made without subsequent changes being necessary to specifications already agreed. All trademarks in this material are the property of the respective companies. Secop and the Secop logotype are trademarks of Secop GmbH. All rights reserved.

Model

Designation	NLV10CN	Sales code:	105H7003
-------------	----------------	-------------	-----------------

Compressor design

Oil type	Polyolester	Refrigerant(s)	R290
Oil viscosity	32cST	Displacement	10,09cm ³ / 0,62cu.in
Oil quantity	298cm ³ / 10,1fl.oz	Compressors on pallet	80
Refr. charge - tech. limit	300g / 10,6oz		
Free gas volume comp.	2360cm ³ / 79,8fl.oz		
Weight	10,8kg / 23,8lbs		
Motor protection	2# internal		
Winding resist. ph. to ph.	5,3Ω (at 25°C)		
Max. winding temp.	125°C / 257°F		
Max. discharge temp.	130°C / 266°F		



General - Configurations and Applications with NLV10CN and Controller

	Conf. 1	Conf. 2	Conf. 3	Conf. 4
Sales code single pack:	105N4910	105N4960	105N4962	105N4866
Sales code industry pack:	105N4911	105N4961	105N4963	105N4867
Power supply (nominal)	220-240V 50/60Hz	100-240V 50/60Hz	100-240V 50/60Hz	100-240V 50/60Hz
Approvals	VDE,CCC	VDE,UL,CCC,CB	VDE,UL,CCC,CB	CCC,VDE,UL,CB
Refrigerant	R290	R290	R290	R290
Number of phases	1~ AC	1~ AC	1~ AC	1~ AC
Application	LBP+MBP	LBP+MBP	LBP+MBP	LBP+MBP
Starting torque	HST	HST	HST	HST
Hot gas defrost	OK	OK	OK	OK
Long interval pull down	OK	OK	OK	OK
System cooling	fan 3m/s	fan 3m/s	fan 3m/s	fan 3m/s
Note	- / -			

Controller functions

	Conf. 1	Conf. 2	Conf. 3	Conf. 4
Protection	Mechanic	Mechanic	Mechanic	Mechanic
Max output power	1000 W	1000 W	1000 W	1000 W
No of relays	2	2	2	8
Hot gas defrost	yes	yes	yes	yes
AEO speed setting	yes	yes	yes	N
Serial com, (Modbus)	SWI	SWI	SWI	RS485
DWI / Frequency input	yes	yes	yes	N
Note			US GFCI-Conformity	

Model

Designation

NLV10CN

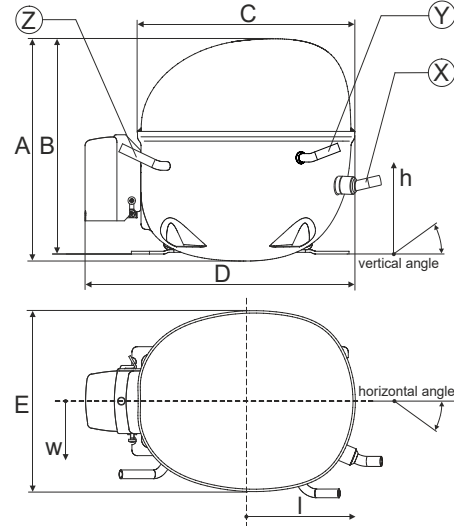
Sales code:

105H7003

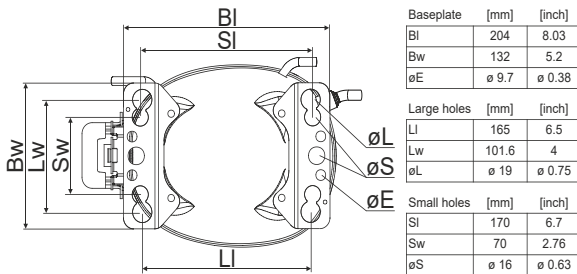
Compressor dimensions

Housing	A Height	203mm / 7,99in
	B Height	197mm / 7,76in
	C Length shell	205mm / 8,07in
	D Length w. cover	252mm / 9,92in
	E Width	166mm / 6,54in

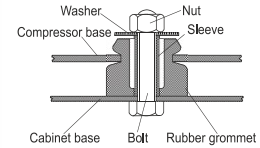
Connectors		Suction	Discharge	Process
		X	Y	Z
Diameter	[mm]	øi 8,11-8,29	øi 6,11-6,29	øi 6,11-6,29
	(i:inside, o:outside) [in]	øi 0,32-0,33	øi 0,24-0,25	øi 0,24-0,25
Material		copper	copper	copper
Horizontal angle	±2°	0°	0°	0°
Vertical angle	±2°	15°	21°	155°
Position l/h/w	[mm]	132/69/57	94/102/81	-109/94/72
	[in]	5,2/2,7/2,2	3,7/4/3,2	-4,3/3,7/2,8
Straight tube l.	[mm]	12	12	12
	[in]	0,5	0,5	0,5



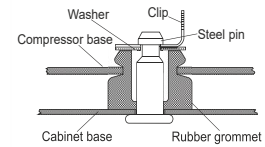
Compressor fixation



Bolt joint



Snap-on



Mounting accessories	one comp.	multi pack
Bolt joint M6 ø16mm	118-1917	118-1918
Bolt joint ø1/4" ø16mm	118-1946	
Bolt joint ø1/4" ø19mm	118-1949	
Snap-on ø7,3 ø16mm	118-1947	118-1919

Application notes

Operation possible until tilted up to 3 degrees

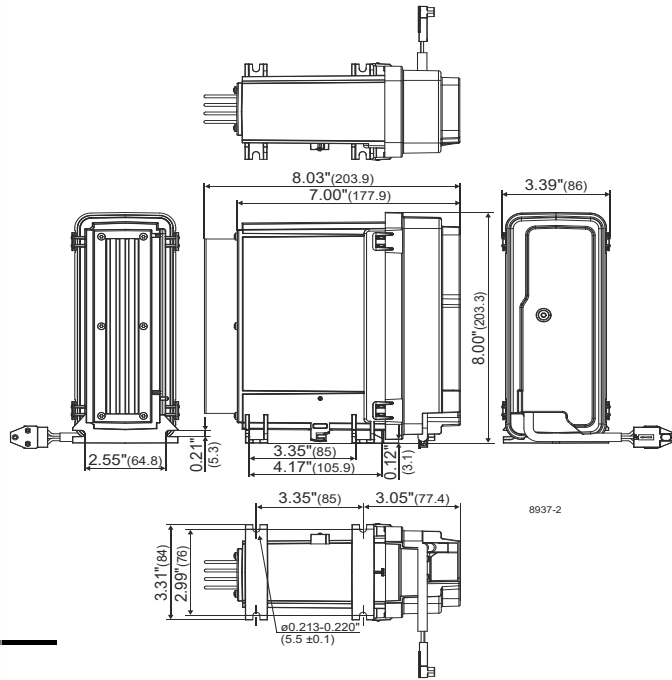
Provision for PE Grounding is located at the PE Stamp on the compressor

Model

Designation	NLV10CN	220-240V 50/60Hz	Conf. 1	Sales code:	105H7003
Controller	NLV MP 230V				105N4910

Sales code single pack:	105N4910 (1 units)
Sales code industry pack:	105N4911 (8 units)
Adaption to compressor:	detached
Protection class:	IP54
Weight:	1.4 kg / 3.08 lbs
Voltage nom.:	220-240V 50/60Hz
Voltage range:	180-270 V
Max. current:	8,4 A (230 V)
LRA (Locked Rotor Amperage):	1,2 A
Cable length:	680 mm
Compressor speed range:	2000-4500 rpm
Housing plastic:	UL94-5VA

Controller dimensions:



QR Code and Hyperlink leads to the [Operating Instructions.](#)

Operation Limits

Suctiongas temperature < +20°C (continuous operation)

System cooling

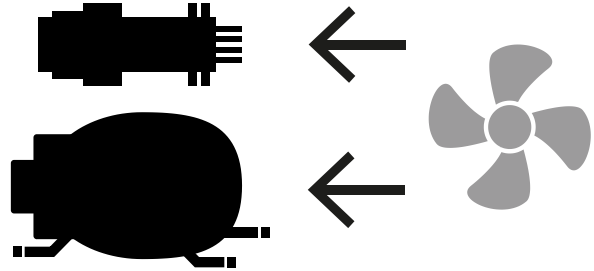
Ambient/ machineroom temperatures minimum /maximum

Ambient temperature range:	10 - 43°C / 50 - 110°F
Machine room temperature range compressor:	10 - 48°C / 50 - 119°F
Machine room temperature range controller:	10 - 50°C / 50 - 122°F

Compressor and Controller Cooling: Fan cooling 3m/s

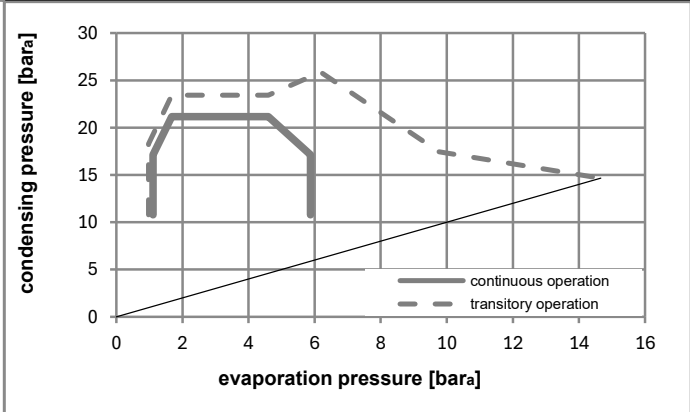
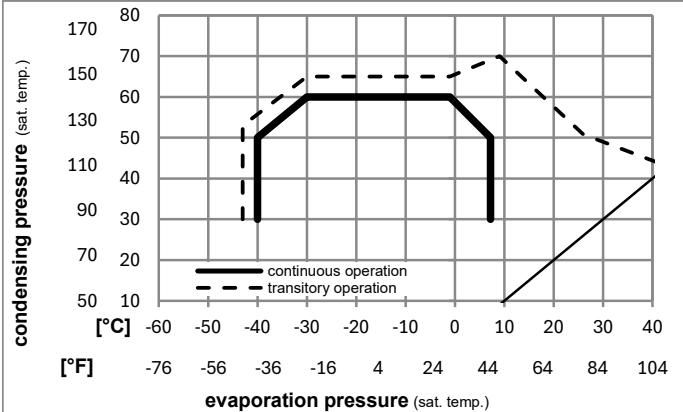
Ensure proper airflow of 3 m/s at both compressor and electronic units.

The airflow for the electronics must be directed to the heat sink.



Operation pressure range

R290

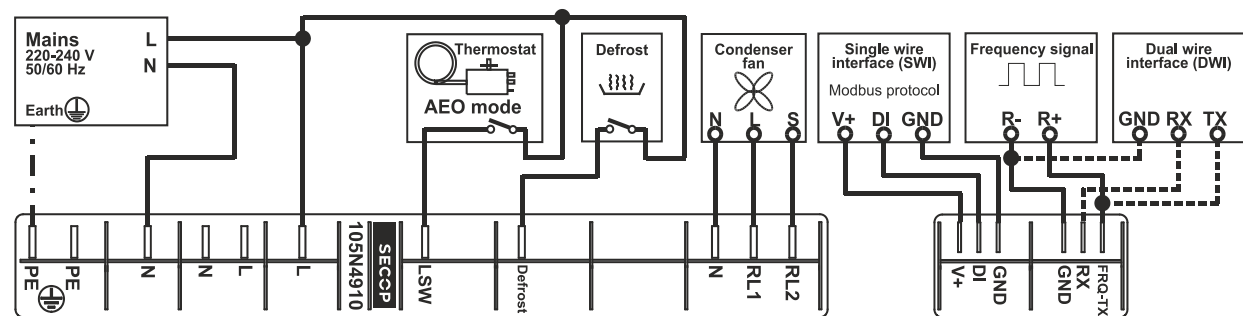
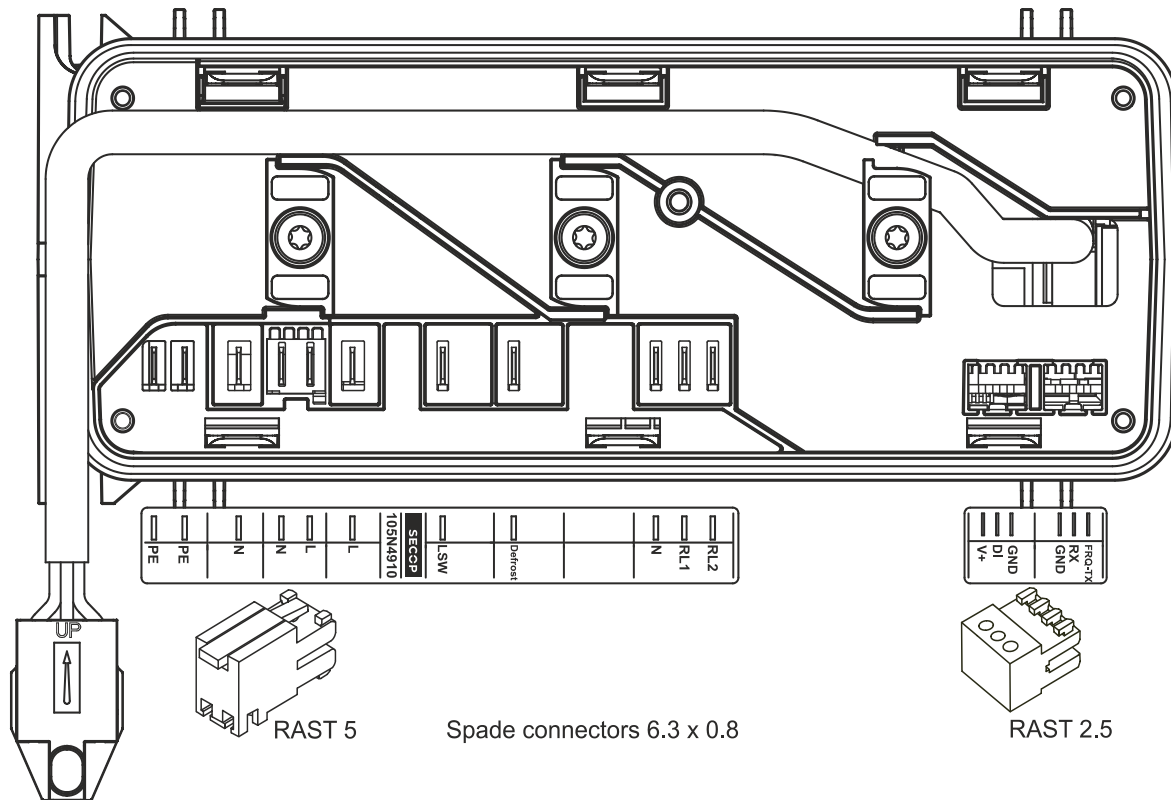


Model

Designation	NLV10CN	220-240V 50/60Hz	Conf. 1	Sales code:	105H7003
-------------	---------	------------------	---------	-------------	----------

Controller	NLV MP 230V				105N4910
------------	-------------	--	--	--	----------

Controller connections



Accessories (Compressor + Controller) - check operation manual for details

103N2008	plastic cover	1 pcs
103N9110	plastic cover (MP of 103N2008)	80 pcs

Model

Designation	NLV10CN	220-240V 50/60Hz	Conf. 1	Sales code:	105H7003
Controller	NLV MP 230V				105N4910

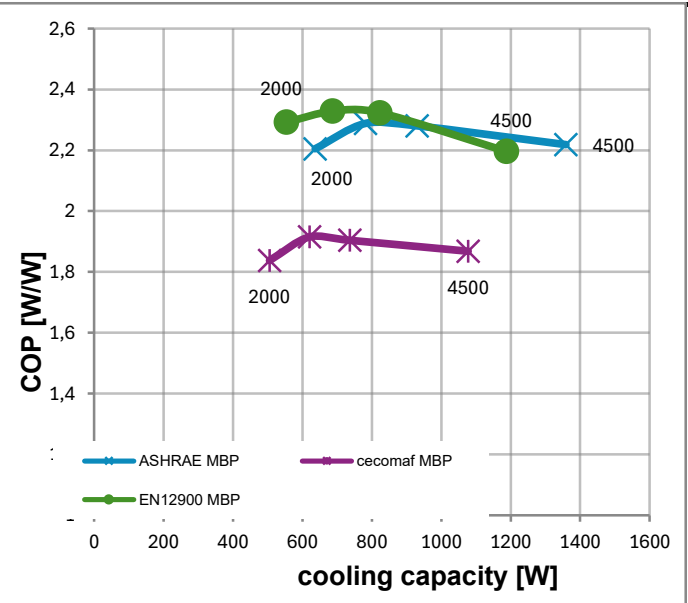
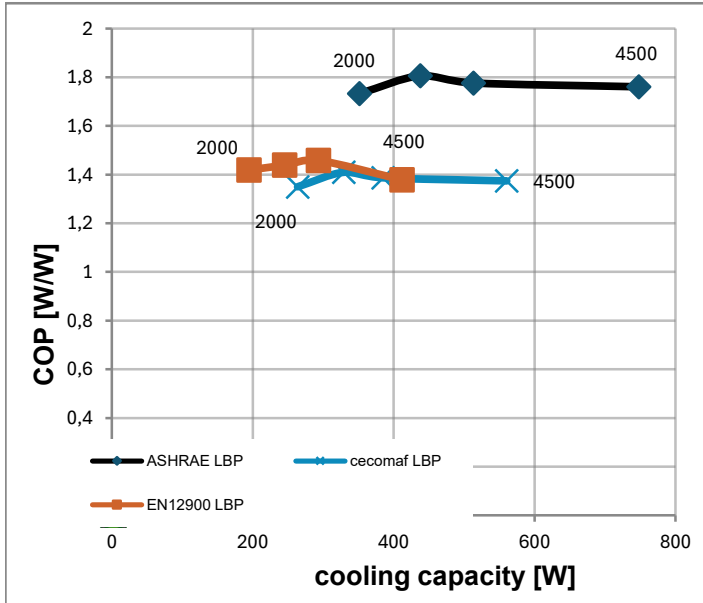
Optimization + standard conditions

R290, 220V, 50Hz, Rpm_N 4500, fan 3m/s

	Evaporating pressure (saturation temperature)				Condensing pressure (saturation temperature)			COP	EER	Cooling capacity	Power consumption			ASHRAE LBP
	pe	pc	RGT	Tliq	[W]	[Btu/h]	[kcal/h]				P1	I	Ref. mass flow	
	[°C]	[°C]	[°C]	[°C]	[W]	[Btu/h]	[kcal/h]	[W/W]	[Btu/Wh]	[kcal/Wh]	[W]	[A]	[kg/h]	
	-23	54	32	32	747,9	2554	643,7	1,76	6,01	1,52	424,8	2,21	7,57	ASHRAE LBP
	-10	130	90	90										
	[°F]													
	-25	55	32	55	560,5	1914	482,4	1,37	4,69	1,18	407,9	2,11	6,98	cecomaf LBP
	-13	131	90	131										
	[°F]													
	-35	40	20	40	412,3	1408	354,9	1,38	4,71	1,19	299,1	1,44	4,71	EN12900 LBP
	-31	104	68	104										
	[°F]													
	-7	54	35	46	1359,1	4641	1169,6	2,22	7,58	1,91	612,6	3,25	15,50	ASHRAE MBP
	20	130	95	115										
	[°F]													
	-10	55	32	55	1077,4	3680	927,2	1,87	6,38	1,61	576,8	3,06	13,63	cecomaf MBP
	14	131	90	131										
	[°F]													
	-10	45	20	45	1187,8	4057	1022,3	2,20	7,50	1,89	540,8	2,78	14,58	EN12900 MBP
	14	113	68	113										
	[°F]													

Standard conditions with different RPM

R290, 220V, 50Hz, Rpm_N 4500, fan 3m/s



Test conditions:

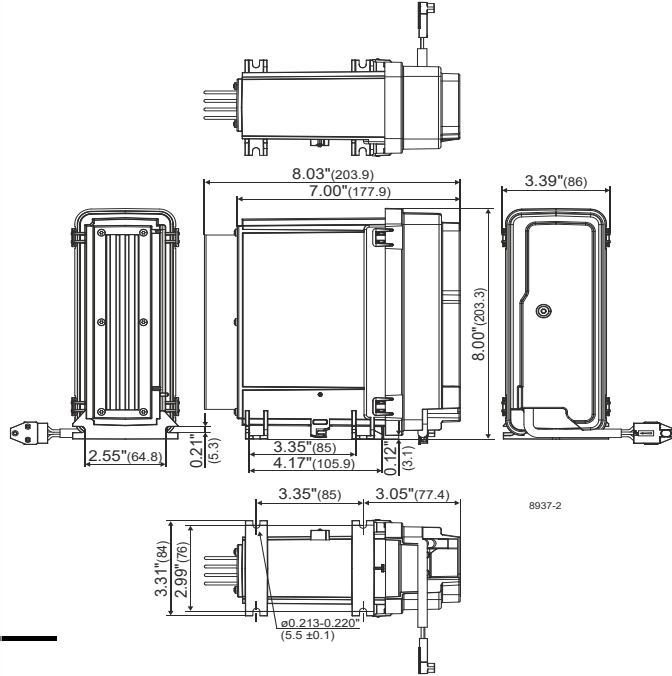
	pe [°C]	pc [°C]	Tliq [°C]	Tsuc [°C]	pe [°C]	pc [°C]	Tliq [°C]	Tsuc [°C]	
ASHRAE LBP	-23,33	54,44	32,22	32,22	ASHRAE MBP	-6,66	54,44	46,11	35
cecomaf LBP	-25	55	55	32	cecomaf MBP	-10	55	55	32
EN12900 LBP	-35	40	40	20	EN12900 MBP	-10	45	45	20

Model

Designation	NLV10CN	100-240V 50/60Hz	Conf. 2	Sales code:	105H7003
Controller	NLV MP MV				105N4960

Sales code single:	105N4960 (1 units)
Sales code industry pack:	105N4961 (8 units)
Adaption to compressor:	detached
Protection class:	IP54
Weight:	1.4 kg / 3.08 lbs
Voltage nom.	100-240V 50/60Hz
Voltage range	90-150/180-270 V
Max. current:	4,2 A (230 V) / 8,4 A (115 V)
LRA (Locked Rotor Amperage):	1,2 A
Cable length:	680 mm
Compressor speed range:	2000-4500 rpm
Housing plastic:	UL94-5VA

Controller dimensions:



QR Code and Hyperlink leads to the [Operating Instructions.](#)

Operation Limits

Suctiongas temperature < +20°C (continuous operation)

System cooling

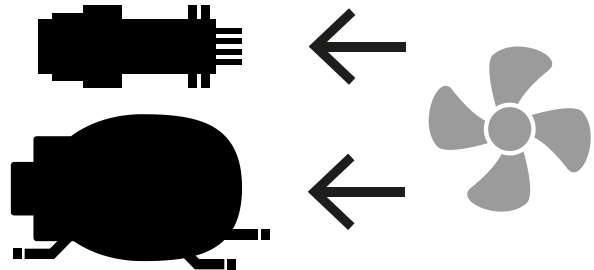
Ambient/ machineroom temperatures minimum /maximum

Ambient temperature range:	10 - 43°C / 50 - 110°F
Machine room temperature range compressor:	10 - 48°C / 50 - 119°F
Machine room temperature range controller:	10 - 50°C / 50 - 122°F

Compressor and Controller Cooling: Fan cooling 3m/s

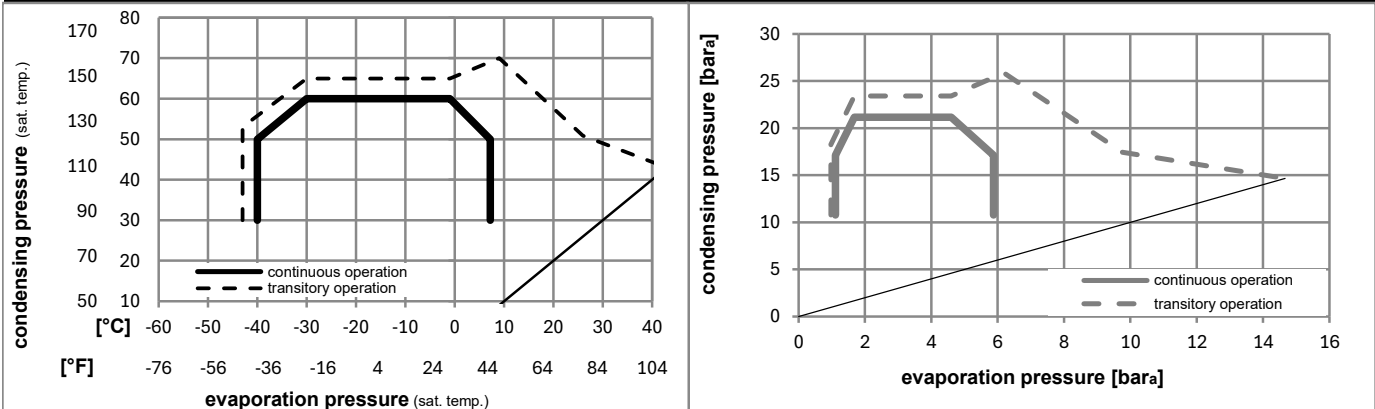
Ensure proper airflow of 3 m/s at both compressor and electronic units.

The airflow for the electronics must be directed to the heat sink.



Operation pressure range

R290

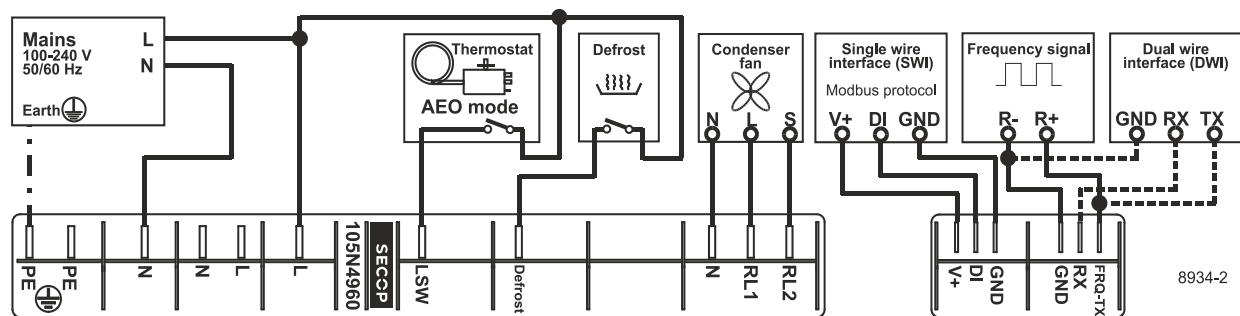
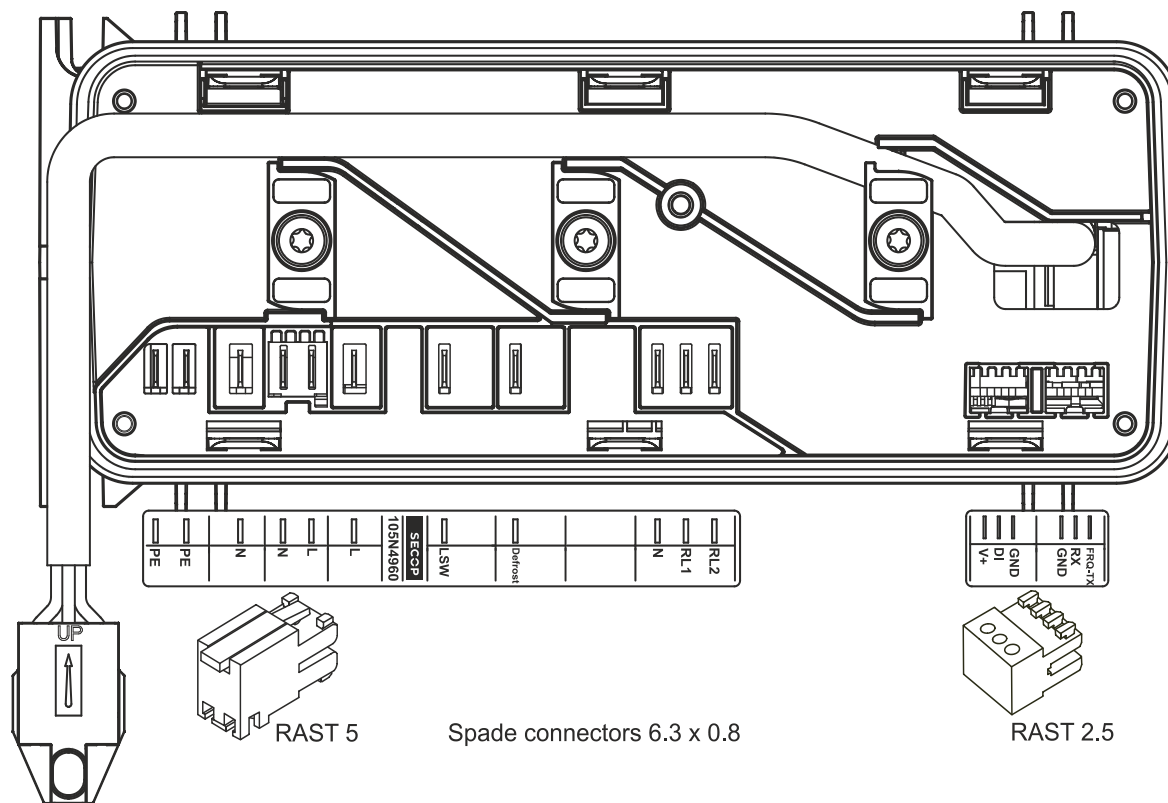


Model

Designation	NLV10CN	100-240V 50/60Hz	Conf. 2	Sales code:	105H7003
-------------	---------	------------------	---------	-------------	----------

Controller	NLV MP MV				105N4960
------------	-----------	--	--	--	----------

Controller connections



Accessories (Compressor + Controller) - check operation manual for details

103N2008	plastic cover	1 pcs
103N9110	plastic cover (MP of 103N2008)	80 pcs

Model

Designation	NLV10CN	100-240V 50/60Hz	Conf. 2	Sales code:	105H7003
Controller	NLV MP MV				105N4960

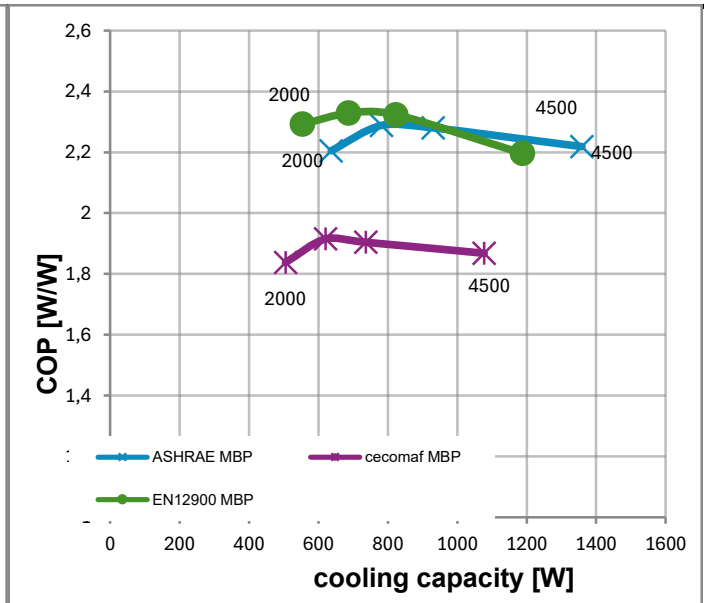
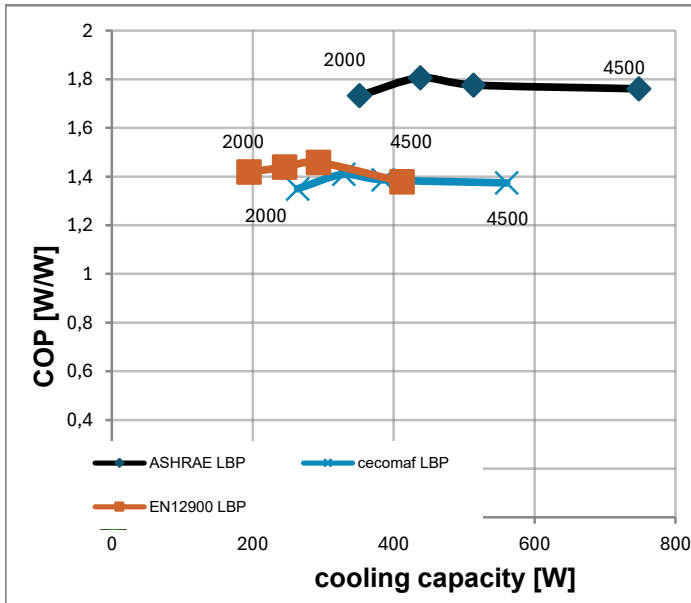
Optimization + standard conditions

R290, 220V, 50Hz, Rpm_N 4500, fan 3m/s

	Evaporating pressure (saturation temperature)				Condensing pressure (saturation temperature)			COP	EER	Power consumption			ASHRAE LBP	
	pe	pc	RGT	Tliq	[W]	[Btu/h]	[kcal/h]			P1	I	Ref. mass flow		
	[°C]	[°C]	[°C]	[°C]	[W]	[Btu/h]	[kcal/h]	[W/W]	[Btu/Wh]	[kcal/Wh]	[W]	[A]	[kg/h]	
	-23	54	32	32	747,9	2554	643,7	1,76	6,01	1,52	424,8	2,21	7,57	ASHRAE LBP
	[°F]													
	-10	130	90	90										
	-25	55	32	55	560,5	1914	482,4	1,37	4,69	1,18	407,9	2,11	6,98	cecomaf LBP
	[°F]													
	-13	131	90	131										
	-35	40	20	40	412,3	1408	354,9	1,38	4,71	1,19	299,1	1,44	4,71	EN12900 LBP
	[°F]													
	-31	104	68	104										
	-7	54	35	46	1359,1	4641	1169,6	2,22	7,58	1,91	612,6	3,25	15,50	ASHRAE MBP
	[°F]													
	20	130	95	115										
	-10	55	32	55	1077,4	3680	927,2	1,87	6,38	1,61	576,8	3,06	13,63	cecomaf MBP
	[°F]													
	14	131	90	131										
	-10	45	20	45	1187,8	4057	1022,3	2,20	7,50	1,89	540,8	2,78	14,58	EN12900 MBP
	[°F]													
	14	113	68	113										

Standard conditions with different RPM

R290, 220V, 50Hz, fan 3m/s



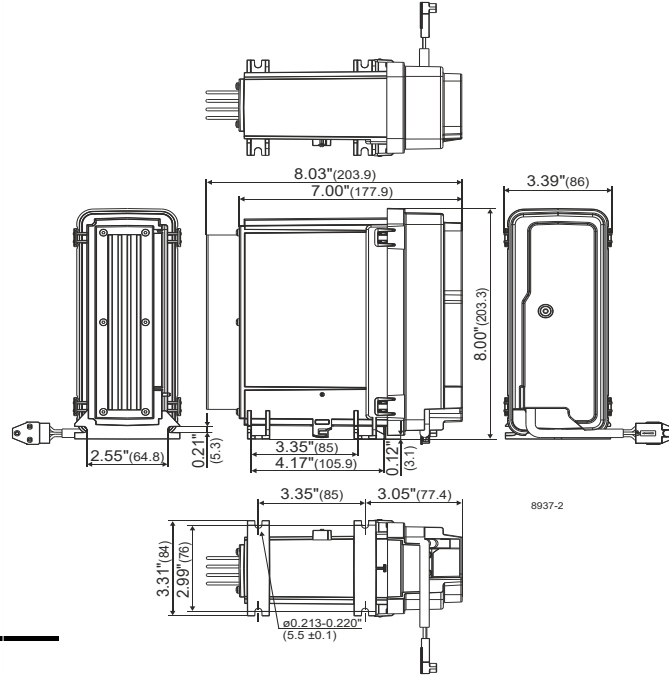
Test conditions:	pe [°C]	pc [°C]	Tliq [°C]	Tsuc [°C]	pe [°C]	pc [°C]	Tliq [°C]	Tsuc [°C]	
ASHRAE LBP	-23,33	54,44	32,22	32,22	ASHRAE MBP	-6,66	54,44	46,11	35
cecomaf LBP	-25	55	55	32	cecomaf MBP	-10	55	55	32
EN12900 LBP	-35	40	40	20	EN12900 MBP	-10	45	45	20

Model

Designation	NLV10CN	100-240V 50/60Hz	Conf. 3	Sales code:	105H7003
Controller	NLV MP MV GFCI				105N4962

Sales code single:	105N4962 (1 units)
Sales code industry pack:	105N4963 (8 units)
Adaption to compressor:	detached
Protection class:	IP54
Weight:	1.4 kg / 3.08 lbs
Voltage nom.	100-240V 50/60Hz
Voltage range	90-150/180-270 V
Max. current:	4,2 A (230 V) / 8,4 A (115 V)
LRA (Locked Rotor Amperage):	1,2 A
Cable length:	915 mm
Compressor speed range:	2000-4500 rpm
Housing plastic:	UL94-5VA

Controller dimensions:



QR Code and Hyperlink leads to the [Operating Instructions.](#)

Operation Limits

Suctiongas temperature < +20°C (continuous operation)

System cooling

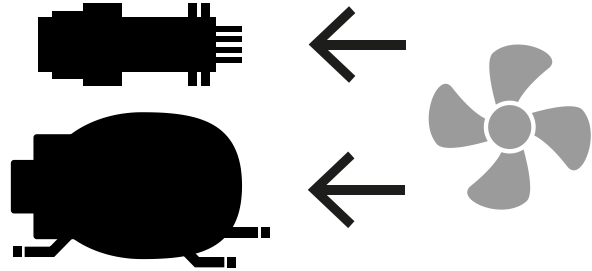
Ambient/ machineroom temperatures minimum /maximum

Ambient temperature range:	10 - 43°C / 50 - 110°F
Machine room temperature range compressor:	10 - 48°C / 50 - 119°F
Machine room temperature range controller:	10 - 50°C / 50 - 122°F

Compressor and Controller Cooling: Fan cooling 3m/s

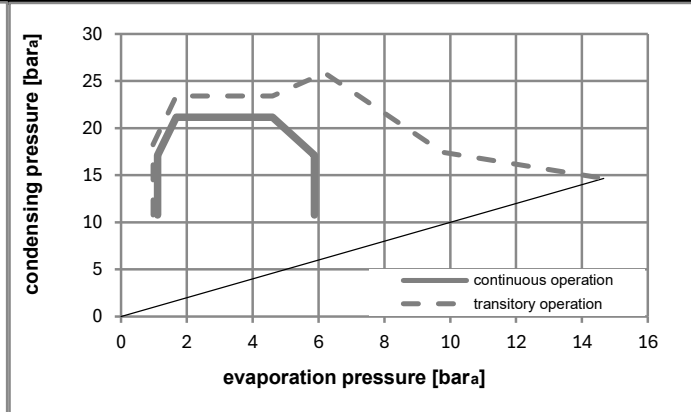
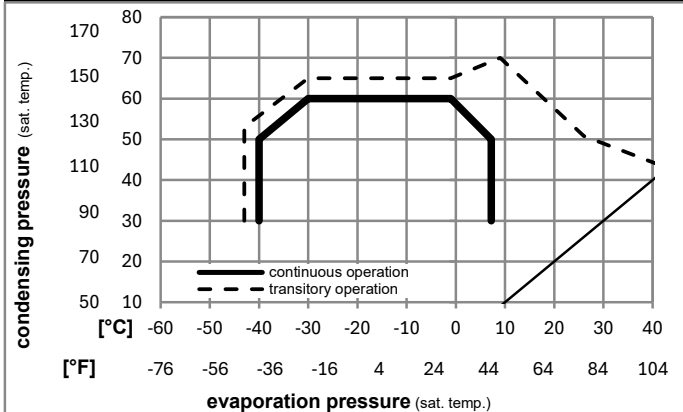
Ensure proper airflow of 3 m/s at both compressor and electronic units.

The airflow for the electronics must be directed to the heat sink.



Operation pressure range

R290

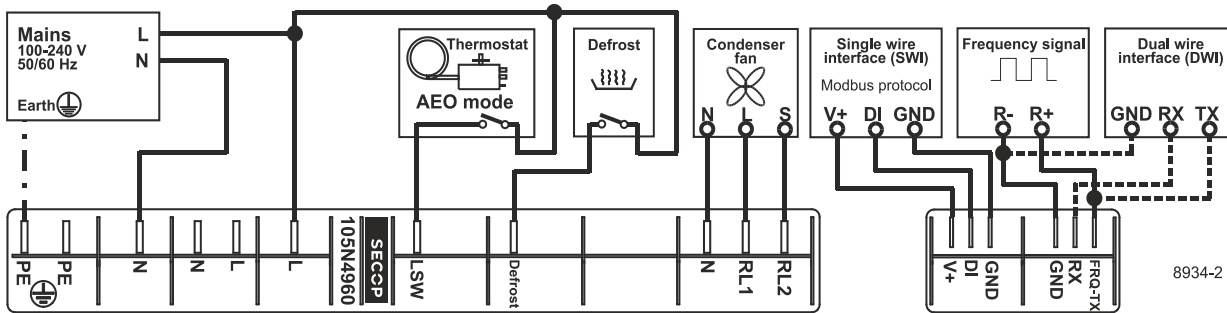
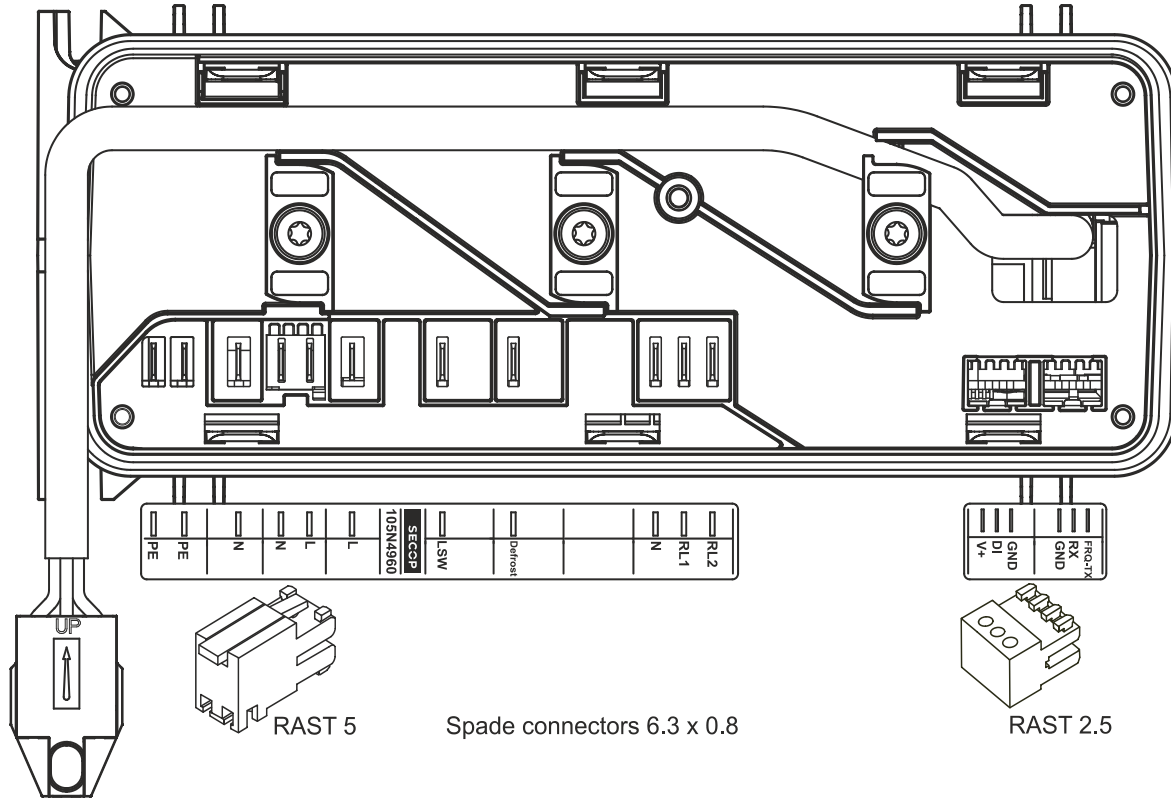


Model

Designation	NLV10CN	100-240V 50/60Hz	Conf. 3	Sales code:	105H7003
-------------	---------	------------------	---------	-------------	----------

Controller	NLV MP MV GFCI	105N4962
------------	----------------	----------

Controller connections



Accessories (Compressor + Controller) - check operation manual for details

103N2008	plastic cover	1 pcs
103N9110	plastic cover (MP of 103N2008)	80 pcs

Model

Designation **NLV10CN** **100-240V 50/60Hz** **Conf. 3** Sales code: **105H7003**

Controller **NLV MP MV GFCI** **105N4962**

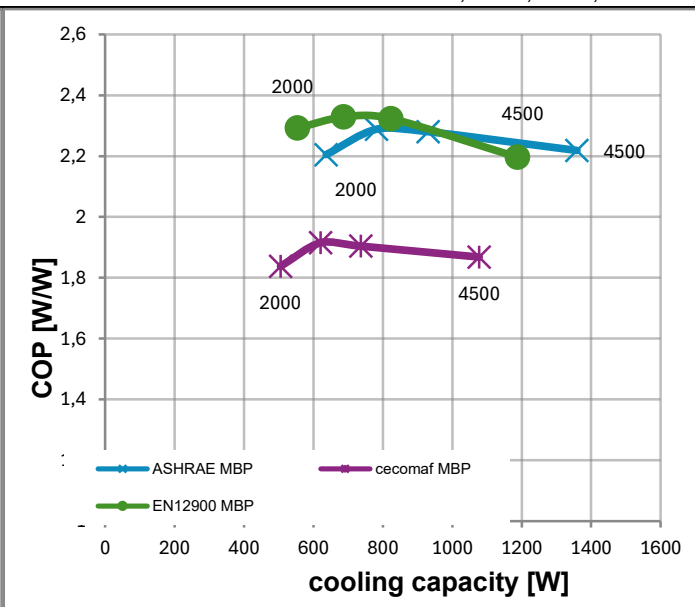
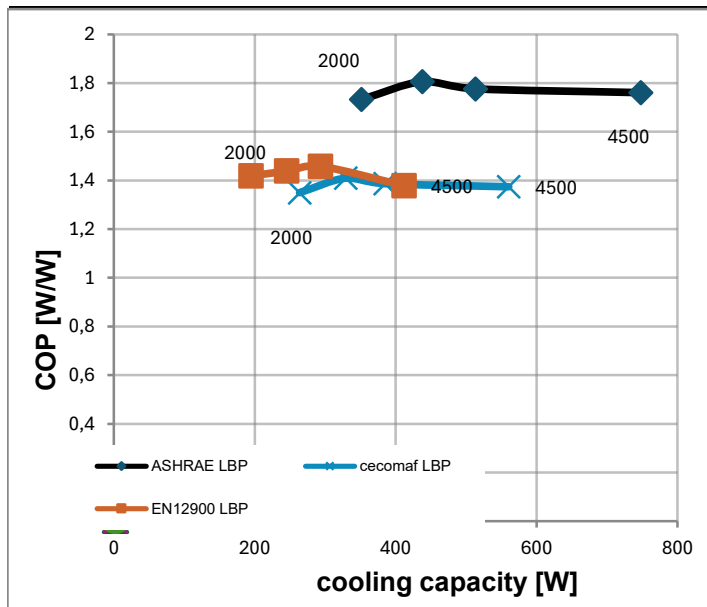
Optimization + standard conditions

R290, 220V, 50Hz, Rpm_N 4500, fan 3m/s

	Evaporating pressure (saturation temperature)				Condensing pressure (saturation temperature)			COP	EER	Power consumption			ASHRAE LBP	
	pe	pc	RGT	Tliq	[W]	[Btu/h]	[kcal/h]			P1	I	Ref. mass flow		
	[°C]	[°C]	[°C]	[°C]	[W]	[Btu/h]	[kcal/h]	[W/W]	[Btu/Wh]	[kcal/Wh]	[W]	[A]	[kg/h]	
	-23	54	32	32	747,9	2554	643,7	1,76	6,01	1,52	424,8	2,21	7,57	ASHRAE LBP
	[°F]	-10	130	90	90									
	-25	55	32	55	560,5	1914	482,4	1,37	4,69	1,18	407,9	2,11	6,98	cecomaf LBP
	[°F]	-13	131	90	131									
	-35	40	20	40	412,3	1408	354,9	1,38	4,71	1,19	299,1	1,44	4,71	EN12900 LBP
	[°F]	-31	104	68	104									
	-7	54	35	46	1359,1	4641	1169,6	2,22	7,58	1,91	612,6	3,25	15,50	ASHRAE MBP
	[°F]	20	130	95	115									
	-10	55	32	55	1077,4	3680	927,2	1,87	6,38	1,61	576,8	3,06	13,63	cecomaf MBP
	[°F]	14	131	90	131									
	-10	45	20	45	1187,8	4057	1022,3	2,20	7,50	1,89	540,8	2,78	14,58	EN12900 MBP
	[°F]	14	113	68	113									

Standard conditions with different RPM

R290, 220V, 50Hz, fan 3m/s



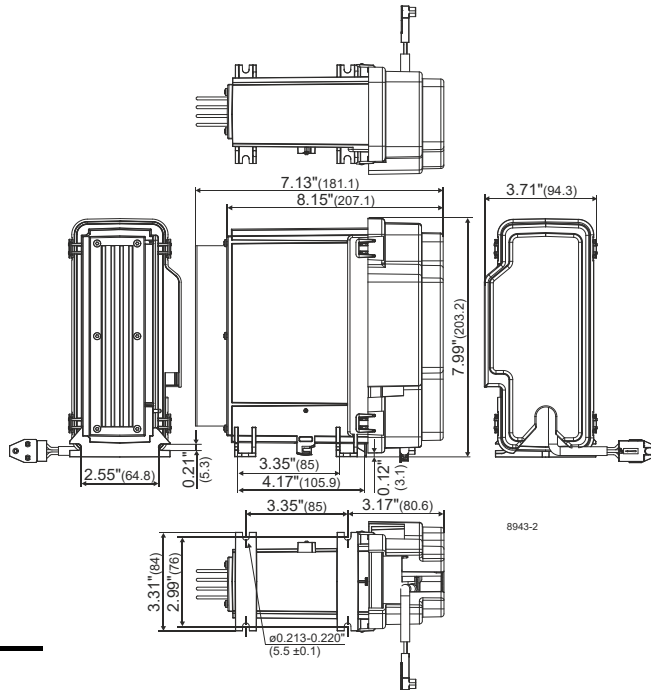
Test conditions:	pe [°C]	pc [°C]	Tliq [°C]	Tsuc [°C]	pe [°C]	pc [°C]	Tliq [°C]	Tsuc [°C]	
ASHRAE LBP	-23,33	54,44	32,22	32,22	ASHRAE MBP	-6,66	54,44	46,11	35
cecomaf LBP	-25	55	55	32	cecomaf MBP	-10	55	55	32
EN12900 LBP	-35	40	40	20	EN12900 MBP	-10	45	45	20

Model

Designation	NLV10CN	100-240V 50/60Hz1~ AC	Conf. 4	Sales code:	105H7003
Controller	NLV XT MV				105N4866

Sales code single:	105N4866 (1 units)
Sales code industry pack:	105N4867 (8 units)
Adaption to compressor:	detached
Protection class:	IP43
Weight:	1.5 kg / 3.3 lbs
Voltage nom.	100-240V 50/60Hz1~ AC
Voltage range	90-150/180-270 V
Max. current:	4,2 A (230 V) / 8,4 A (115 V)
LRA (Locked Rotor Amperage):	1,2 A
Cable length:	630 mm
Compressor speed range:	2000-4500 rpm
Housing plastic:	UL94-5VA

Controller dimensions:



QR Code and Hyperlink leads to the [Operating Instructions.](#)

Operation Limits

Suctiongas temperature < +20°C (continuous operation)

System cooling

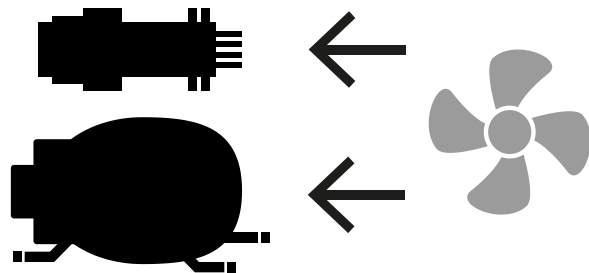
Ambient/ machineroom temperatures minimum /maximum

Ambient temperature range:	10 - 43°C / 50 - 110°F
Machine room temperature range compressor:	10 - 48°C / 50 - 119°F
Machine room temperature range controller:	10 - 50°C / 50 - 122°F

Compressor and Controller Cooling: Fan cooling 3m/s

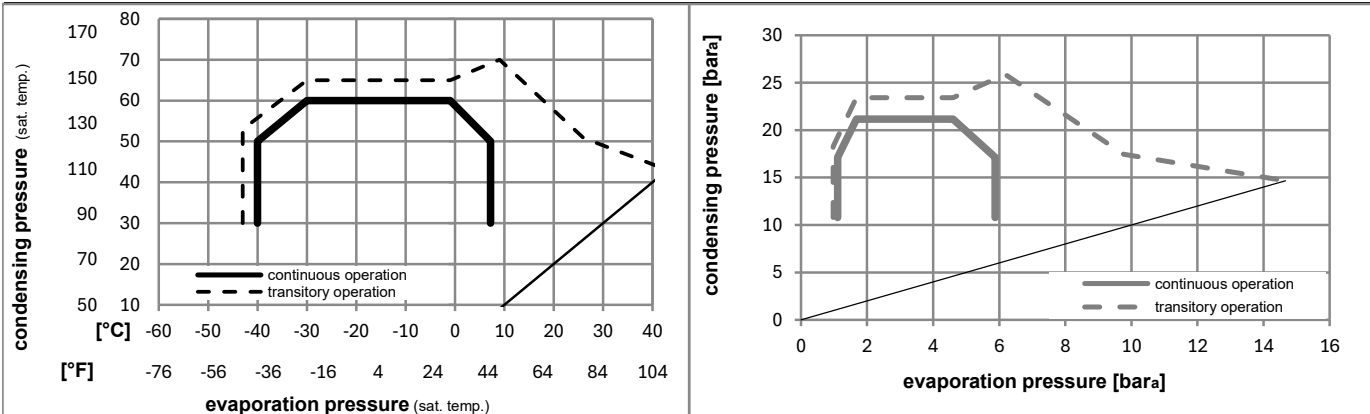
Ensure proper airflow of 3 m/s at both compressor and electronic units.

The airflow for the electronics must be directed to the heat sink.



Operation pressure range

R290

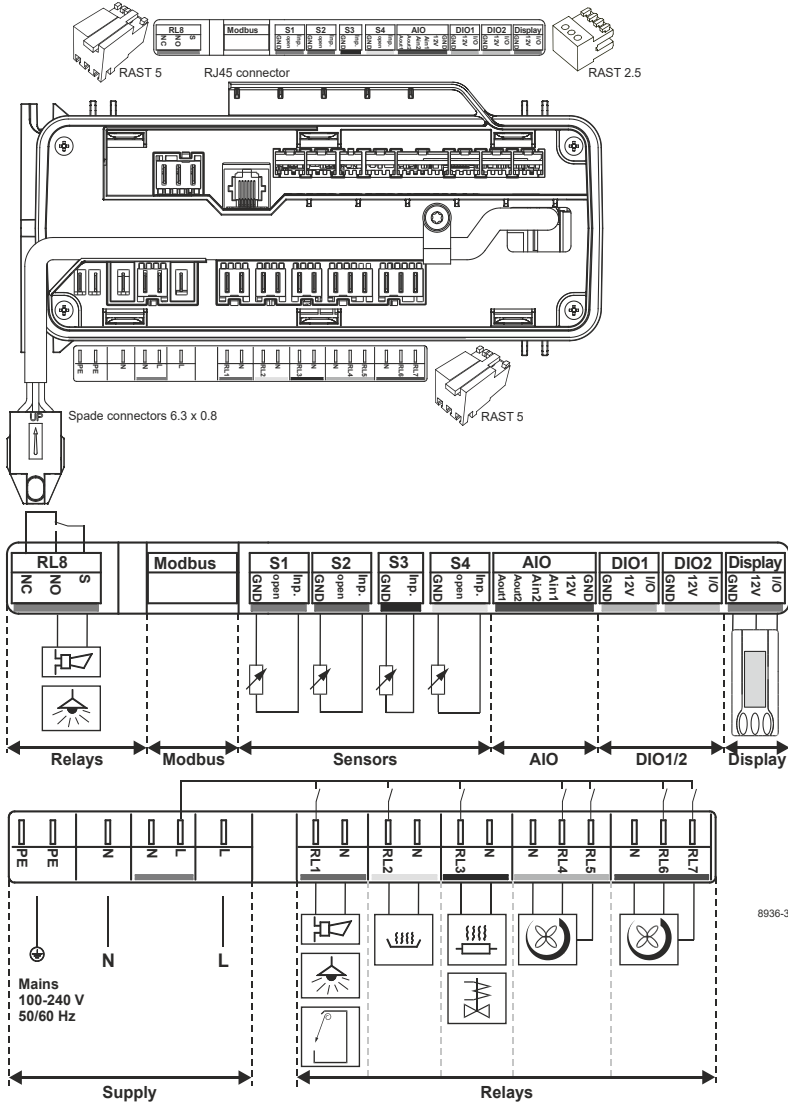


Model

Designation	NLV10CN	100-240V 50/60Hz1~ AC	Conf. 4	Sales code:	105H7003
-------------	----------------	------------------------------	----------------	-------------	-----------------

Controller	NLV XT MV				105N4866
------------	------------------	--	--	--	-----------------

Controller connections



Accessories (Compressor + Controller) - check operation manual for details

103N2008	plastic cover	1 pcs
103N9110	plastic cover (MP of 103N2008)	80 pcs

Model

Designation	NLV10CN	100-240V 50/60Hz1~ AC	Conf. 4	Sales code:	105H7003
Controller	NLV XT MV				105N4866

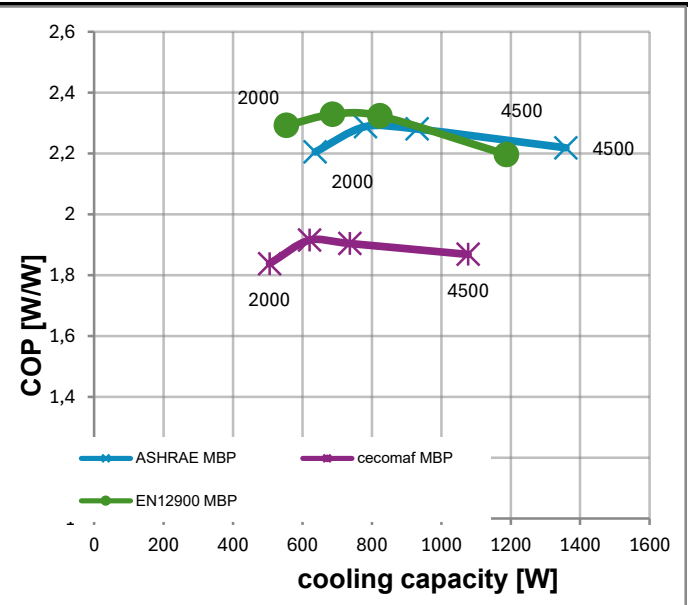
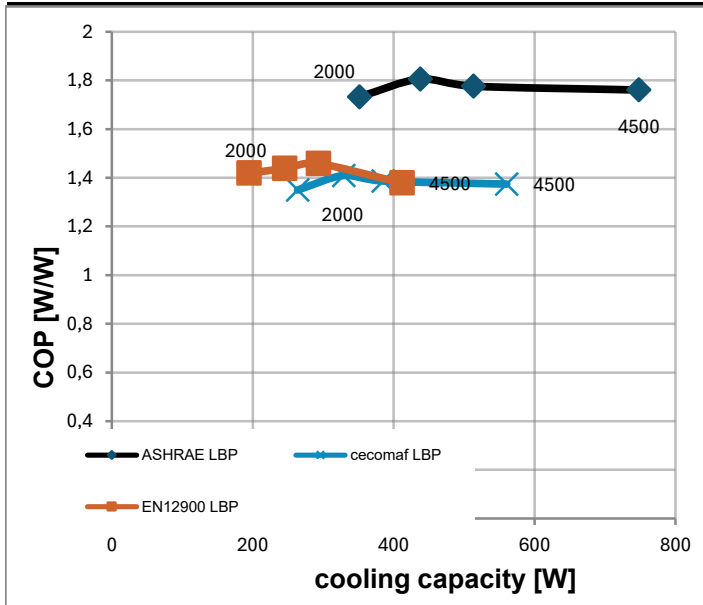
Optimization + standard conditions

R290, 220V, 50Hz, Rpm_N 4500, fan 3m/s

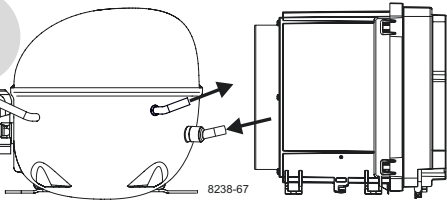
	Evaporating pressure (saturation temperature)				Condensing pressure (saturation temperature)			COP	EER		Power consumption					
	pe	pc	RGT	Tliq	Return gas temp.	Liquid temp.	Cooling capacity				P1	I	Ref. mass flow			
	[°C]	[°F]	[°C]	[°F]	[°C]	[°F]	[W]	[Btu/h]	[kcal/h]	[W/W]	[Btu/Wh]	[kcal/Wh]	[W]	[A]	[kg/h]	
	-23	54	32	32	747,9	2554	643,7	1,76	6,01	1,52	424,8	2,21	7,57		ASHRAE LBP	
	-10	130	90	90												
	-25	55	32	55	560,5	1914	482,4	1,37	4,69	1,18	407,9	2,11	6,98		cecomaf LBP	
	-13	131	90	131												
	-35	40	20	40	412,3	1408	354,9	1,38	4,71	1,19	299,1	1,44	4,71		EN12900 LBP	
	-31	104	68	104												
	-7	54	35	46	1359,1	4641	1169,6	2,22	7,58	1,91	612,6	3,25	15,50		ASHRAE MBP	
	20	130	95	115												
	-10	55	32	55	1077,4	3680	927,2	1,87	6,38	1,61	576,8	3,06	13,63		cecomaf MBP	
	14	131	90	131												
	-10	45	20	45	1187,8	4057	1022,3	2,20	7,50	1,89	540,8	2,78	14,58		EN12900 MBP	
	14	113	68	113												

Standard conditions with different RPM

R290, 220V, 50Hz, fan 3m/s



Test conditions:	pe [°C]	pc [°C]	Tliq [°C]	Tsuc [°C]	pe [°C]	pc [°C]	Tliq [°C]	Tsuc [°C]	
ASHRAE LBP	-23,33	54,44	32,22	32,22	ASHRAE MBP	-6,66	54,44	46,11	35
cecomaf LBP	-25	55	55	32	cecomaf MBP	-10	55	55	32
EN12900 LBP	-35	40	40	20	EN12900 MBP	-10	45	45	20



8238-67

Instructions

NLV Compressors
220-240V 50/60Hz
105N491x Series
Controllers

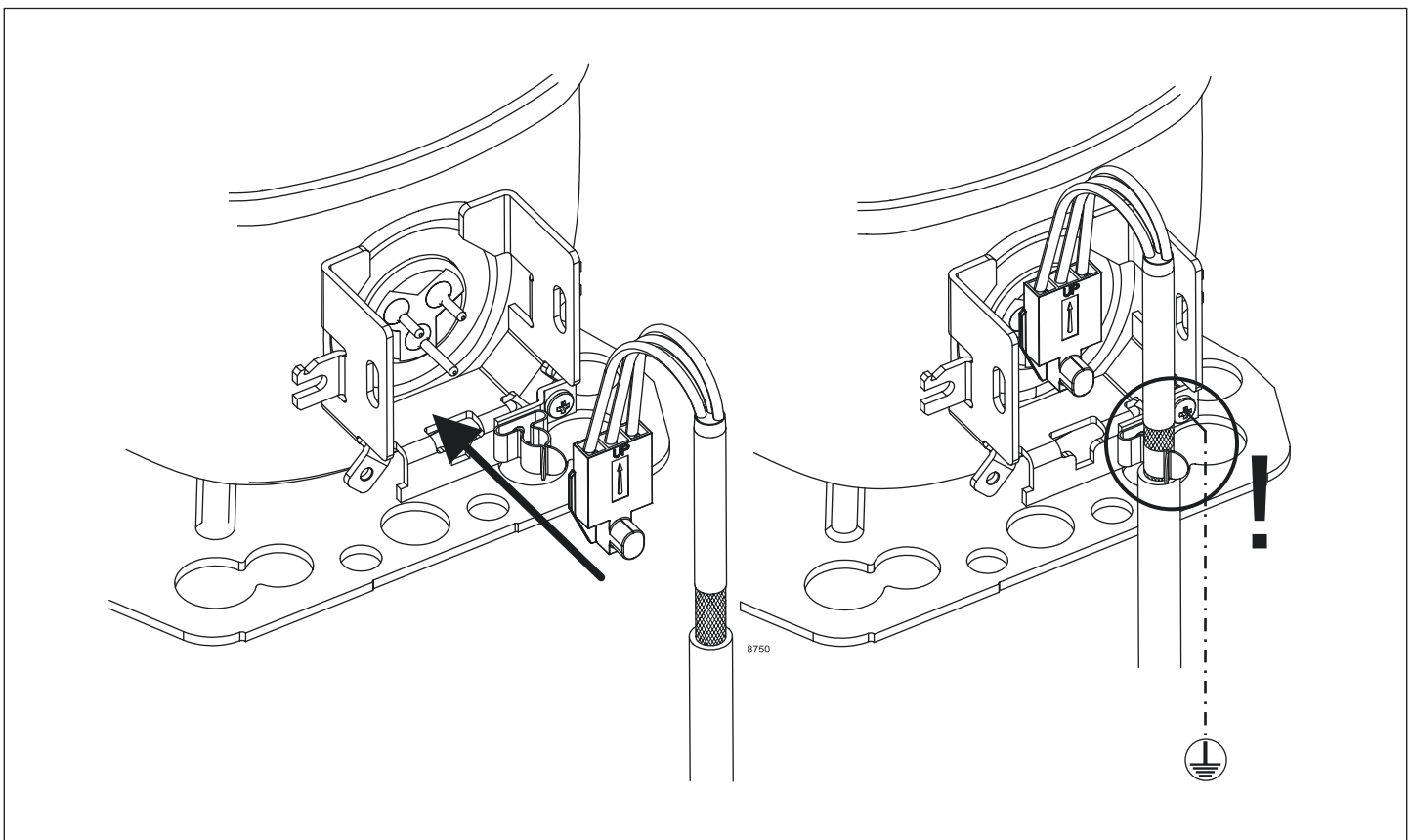
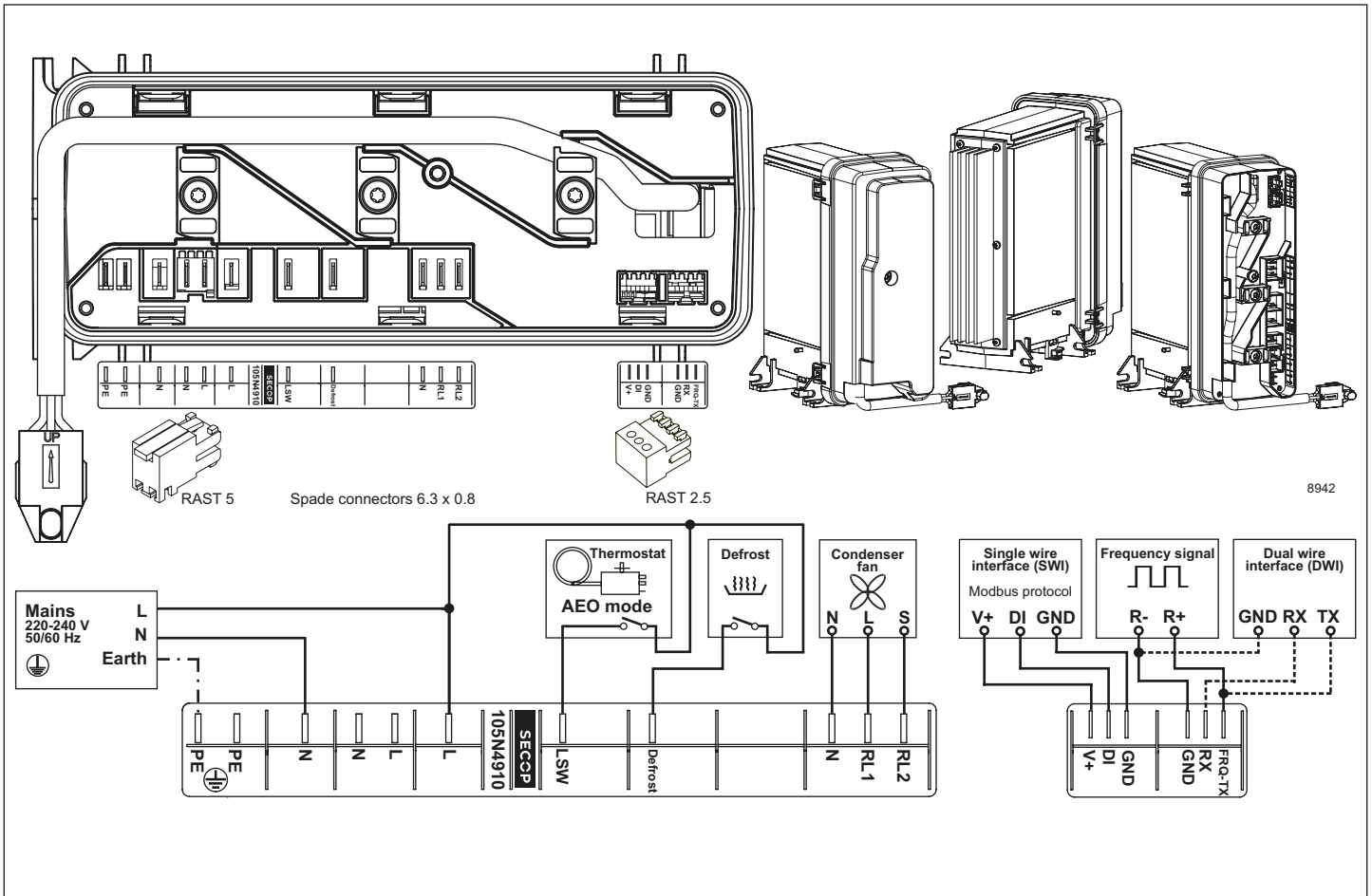
SECCP

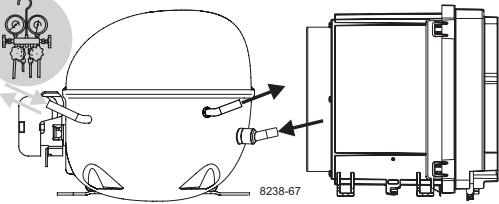
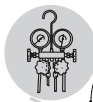


TOOL4COOL®



°CCD®





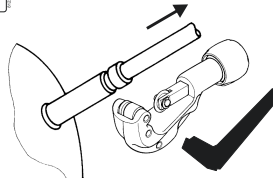
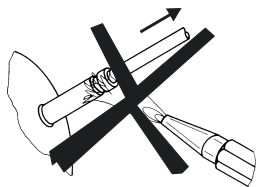
Instructions

NLV Compressors
220-240V 50/60Hz
105N491x Series
Controllers

SECCP

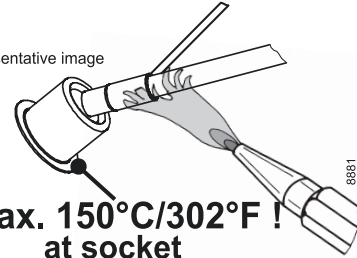


Service/Repair R290



Brazing on Suction Connectors (Direct Intake)

representative image

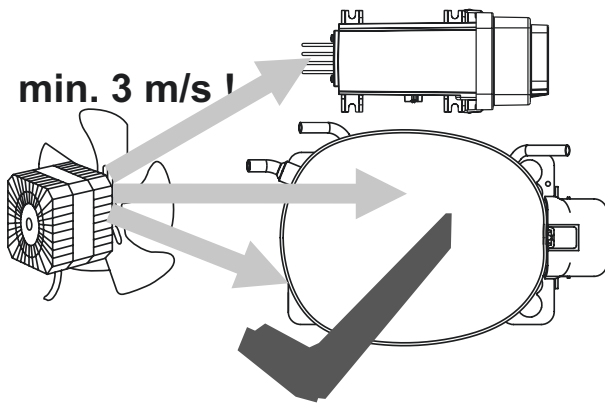


**! max. 150°C/302°F!
at socket**

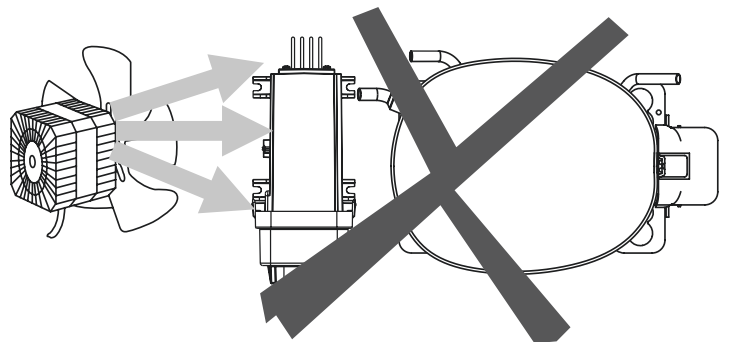
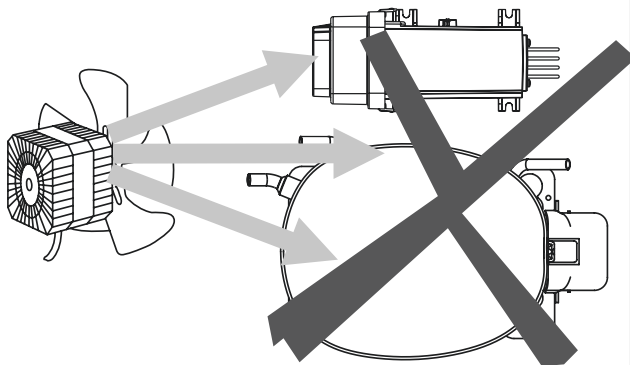
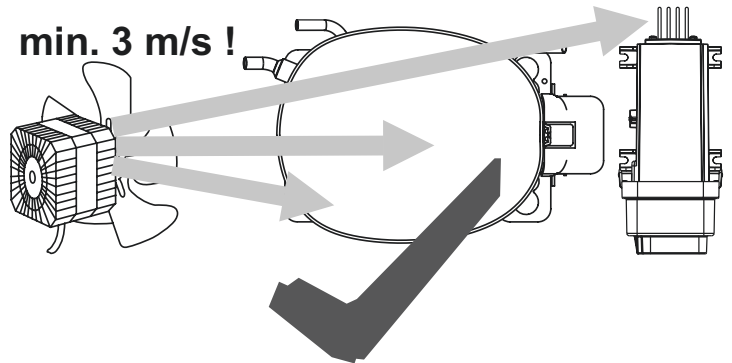
brazing solder: phosphor (LP7) or silver

Refer to Product Bulletin: **Brazing on Suction Connectors
(Compressors with Direct Suction Intake)**

min. 3 m/s !



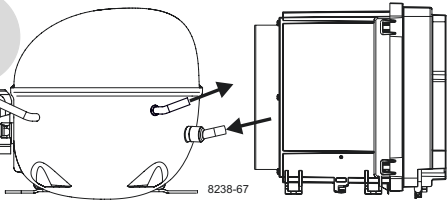
min. 3 m/s !



8938

Airflow	3 m/s
Operating conditions	+ 5 °C to 43 °C - humidity < 90 % rH non condensing
Storage conditions	-25 °C to 70 °C - humidity < 90 % rH non condensing
Supply voltage	220-240 V (± 10 %)
Frequency	50/60 Hz
Input power, max.	1000 W

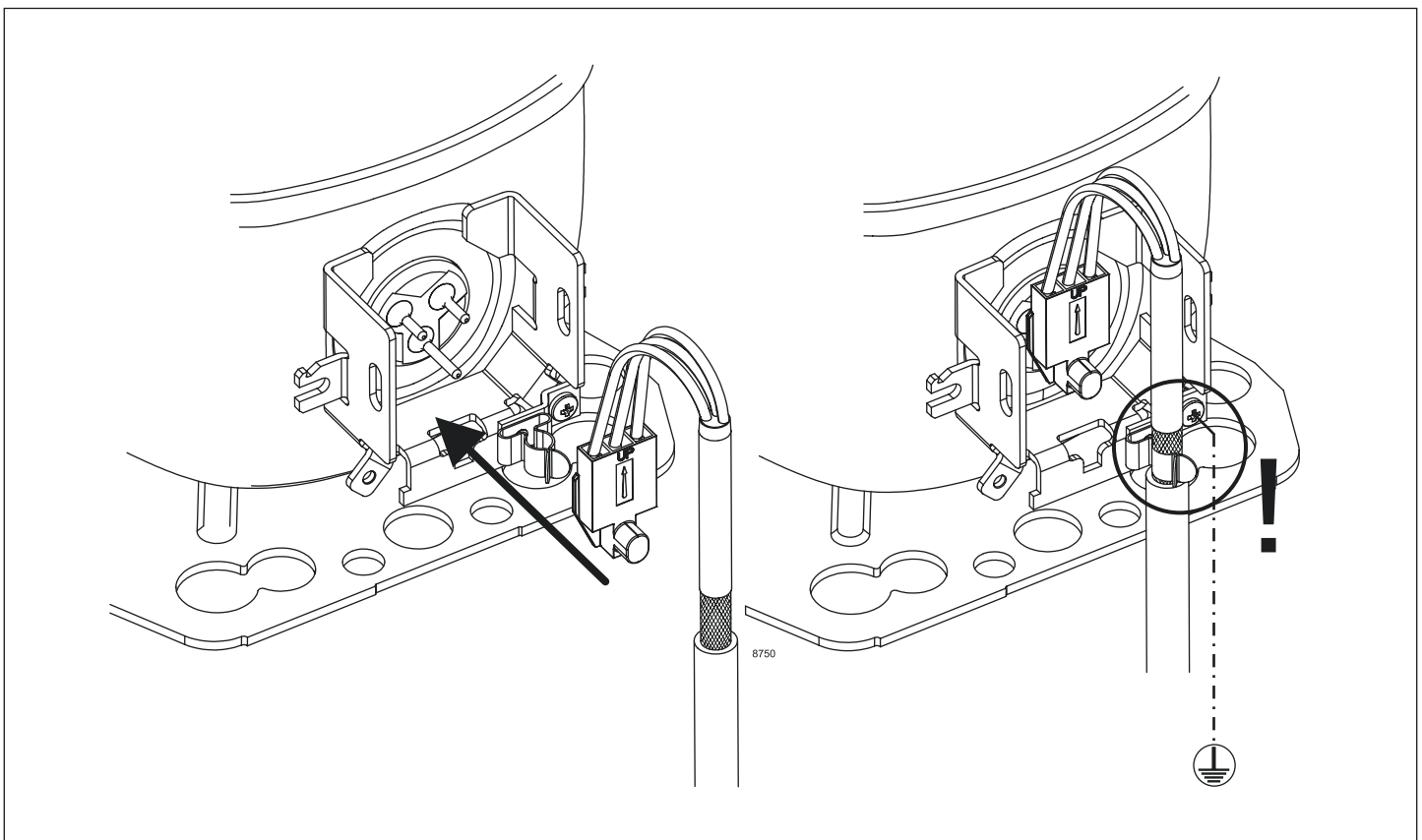
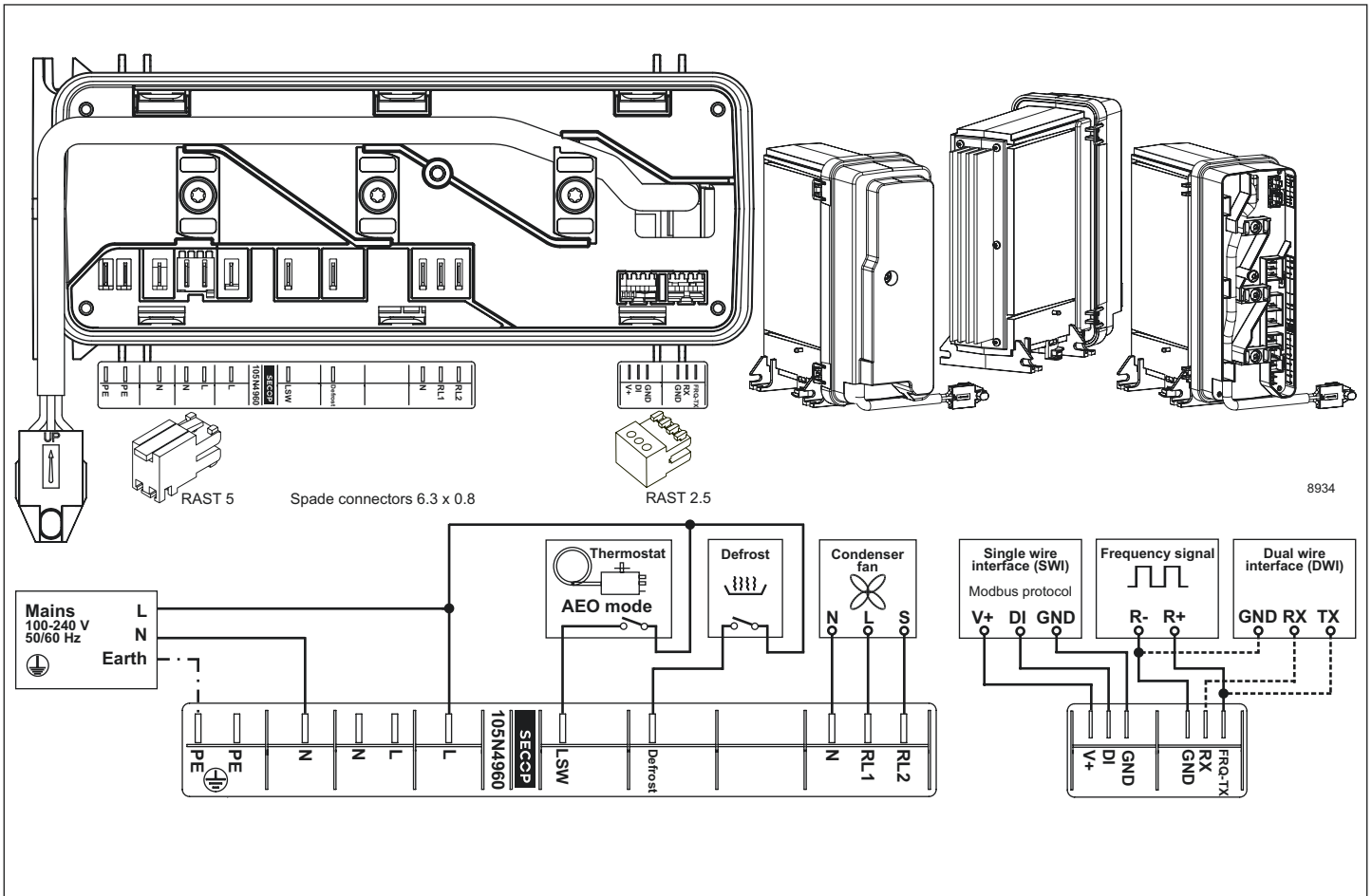
Secop accepts no responsibility for possible errors in catalogs, brochures, and other printed material. Secop reserves the right to alter its products without notice. This also applies to products already on order provided that such alterations can be made without subsequent changes being necessary to specifications already agreed. All trademarks in this material are the property of the respective companies. Secop and the Secop logotype are trademarks of Secop GmbH. All rights reserved. www.secop.com

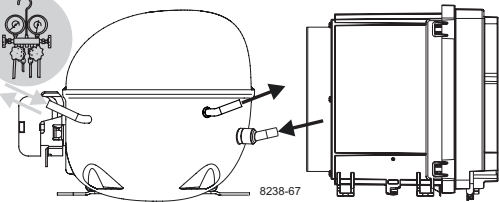


Instructions

NLV Compressors
100-240V 50/60Hz
105N496x Series
Controllers

SECCP





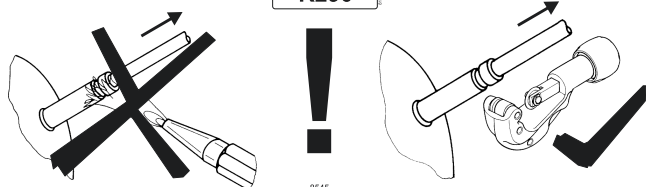
Instructions

NLV Compressors
100-240V 50/60Hz
105N496x Series
Controllers

SECCP

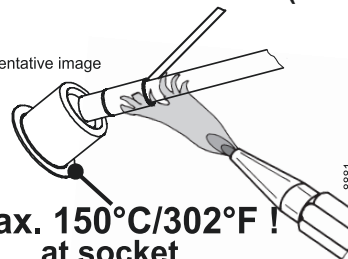


Service/Repair R290



Brazing on Suction Connectors (Direct Intake)

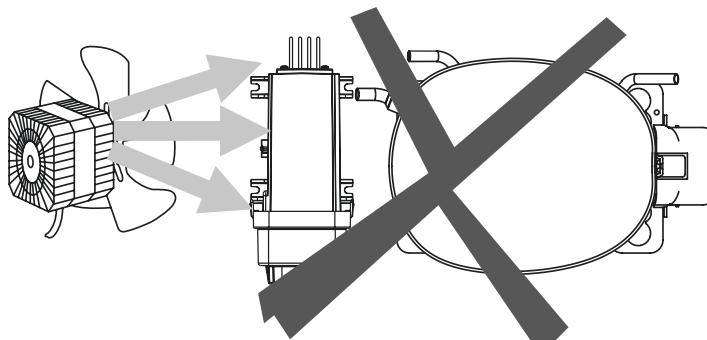
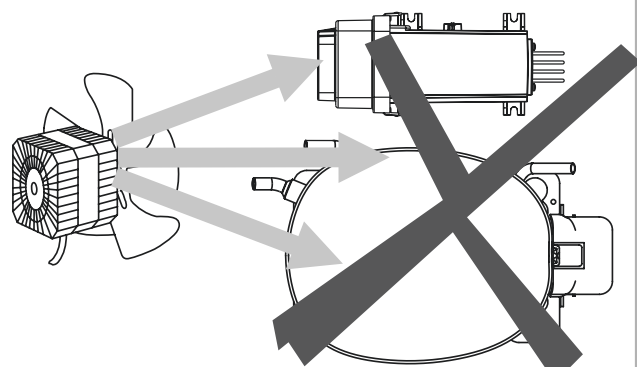
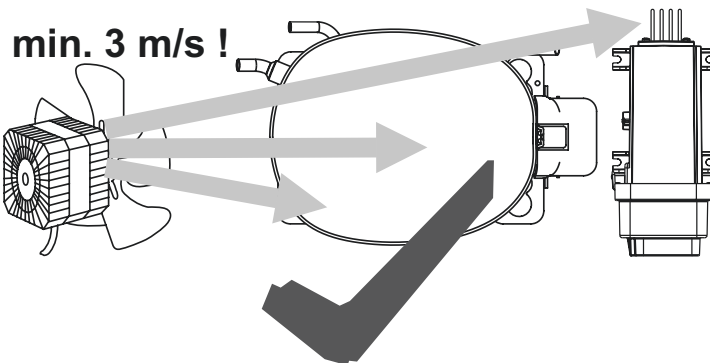
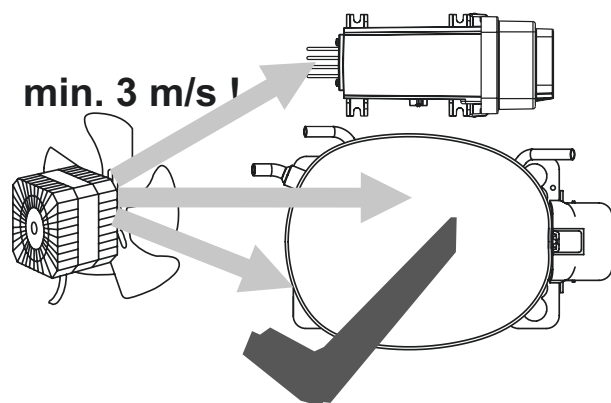
representative image



**! max. 150°C/302°F!
at socket**

brazing solder: phosphor (LP7) or silver

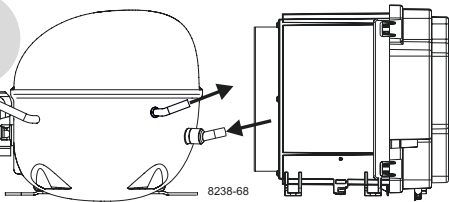
Refer to Product Bulletin: **Brazing on Suction Connectors
(Compressors with Direct Suction Intake)**



8938

Airflow	3 m/s
Operating conditions	+ 5 °C to 43 °C - humidity < 90 % rH non condensing
Storage conditions	-25 °C to 70 °C - humidity < 90 % rH non condensing
Supply voltage	100-240 V (± 10 %)
Frequency	50/60 Hz
Input power, max.	1000 W

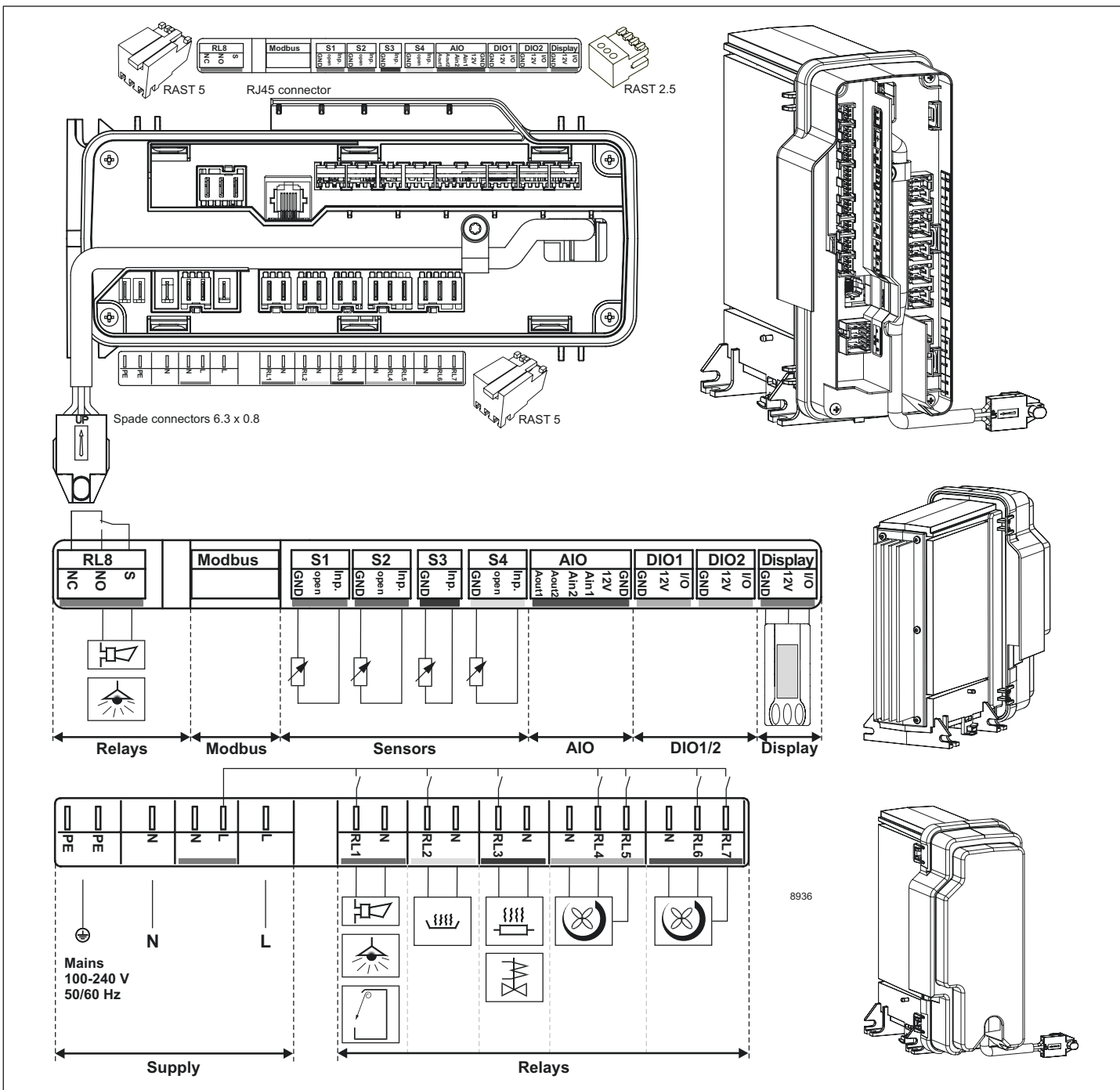
Secop accepts no responsibility for possible errors in catalogs, brochures, and other printed material. Secop reserves the right to alter its products without notice. This also applies to products already on order provided that such alterations can be made without subsequent changes being necessary to specifications already agreed. All trademarks in this material are the property of the respective companies. Secop and the Secop logotype are trademarks of Secop GmbH. All rights reserved. www.secop.com



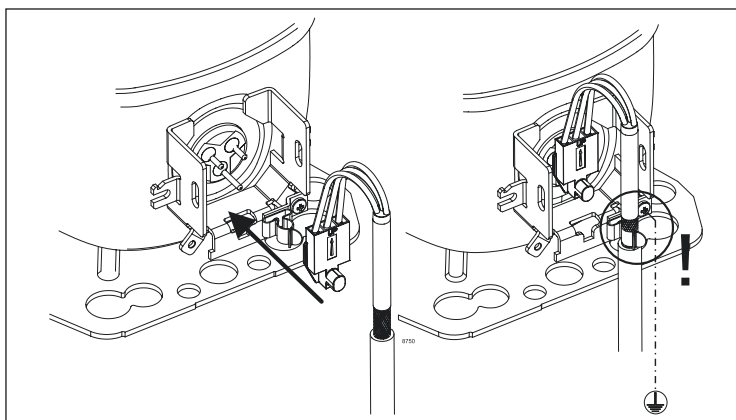
Instructions

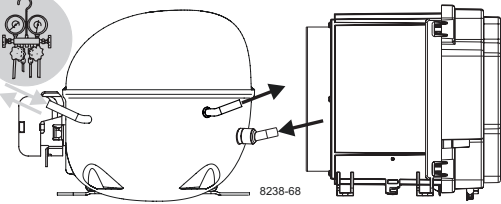
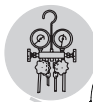
NLV Compressors
100-240V 50/60Hz
105N486x Series
Controllers

SECCP



Mains	red	S1	red
RL 1	blue	S2	blue
RL 2	yellow	S3	black
RL 3	black	S4	yellow
RL 4, 5	grey	AIO	brown
RL 6, 7	brown	DIO1	grey
RL 8	green	DIO2	pink
		Display	green





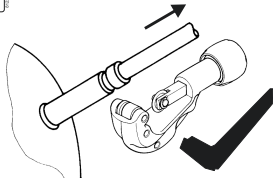
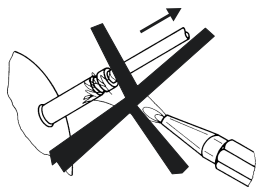
Instructions

NLV Compressors
100-240V 50/60Hz
105N486x Series
Controllers

SECCP

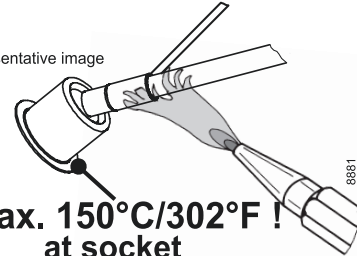


Service/Repair R290



Brazing on Suction Connectors (Direct Intake)

representative image

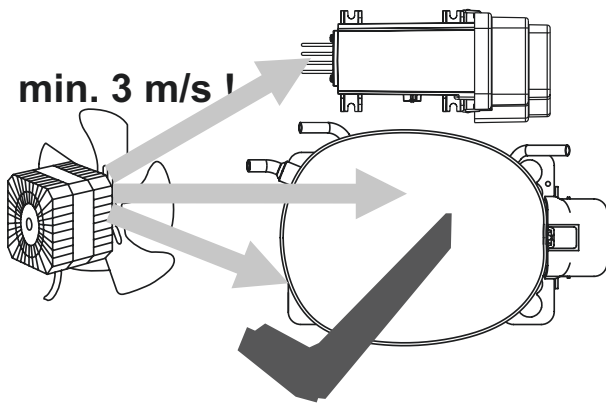


**! max. 150°C/302°F!
at socket**

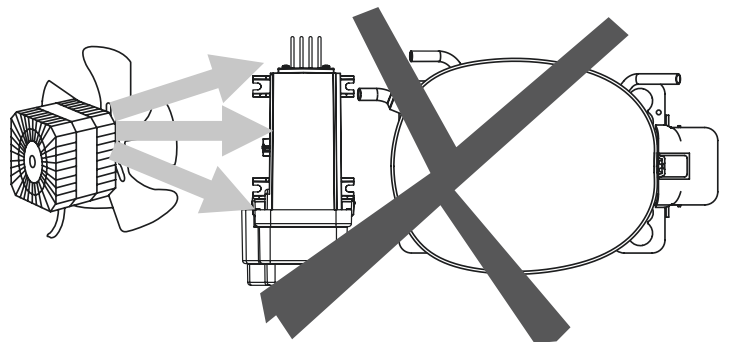
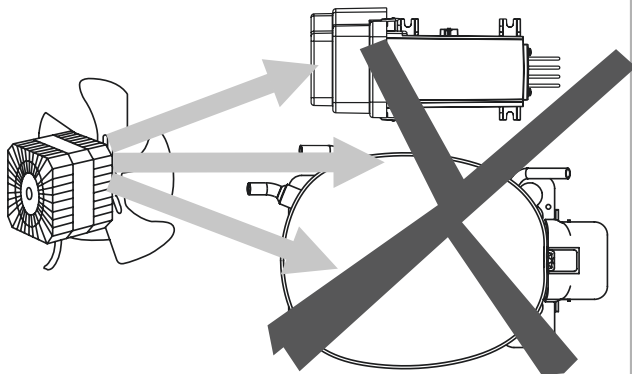
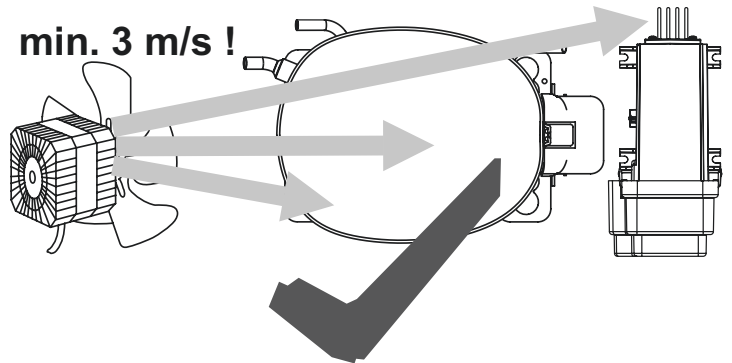
brazing solder: phosphor (LP7) or silver

Refer to Product Bulletin: **Brazing on Suction Connectors
(Compressors with Direct Suction Intake)**

min. 3 m/s!



min. 3 m/s!



8939

Airflow	3 m/s
Operating conditions	+ 5 °C to 43 °C - humidity < 90 % rH non condensing
Storage conditions	-25 °C to 70 °C - humidity < 90 % rH non condensing
Supply voltage	100-240 V (± 10 %)
Frequency	50/60 Hz
Input power, max.	1000 W

Secop accepts no responsibility for possible errors in catalogs, brochures, and other printed material. Secop reserves the right to alter its products without notice. This also applies to products already on order provided that such alterations can be made without subsequent changes being necessary to specifications already agreed. All trademarks in this material are the property of the respective companies. Secop and the Secop logotype are trademarks of Secop GmbH. All rights reserved. www.secop.com