

Single Pack HTK55AA 220-240V 50Hz RSIR

Single pack code number: **195B4615**

Position	Title	Code	Amount
1	Compressor HTK55AA	16122700	1
2	Clip	10633900	4
3	Steel pin	10634100	4
4	Washer	10634300	4
5	Screw for cable clamp	10636000	1
6	Screw for cable clamp	10636200	1
7	Cover	10636401	1
8	Earth screw	10641201	1
9	Rubber grommet 16mm	11322600	4
10	Cable clamp	11341000	1
11	Terminal board 6.3mm	16096400	1

Secop GmbH • Lise-Meitner-Straße 29 • 24941 Flensburg, Germany • Tel: +49 461 4941 0 • www.secop.com

Secop accepts no responsibility for possible errors in catalogs, brochures, and other printed material. Secop reserves the right to alter its products without notice. This also applies to products already on order provided that such alterations can be made without subsequent changes being necessary to specifications already agreed. All trademarks in this material are the property of the respective companies. Secop and the Secop logotype are trademarks of Secop GmbH. All rights reserved.

Model

Designation	HTK55AA	220-240V/50Hz 1~	Sales code:	16122700
-------------	----------------	-------------------------	-------------	-----------------

Compressor design

Oil type	Mineral	Refrigerant(s)	R600a
Oil viscosity	5cST	Displacement	5,6cm ³ / 0,34cu.in
Oil quantity	162cm ³ / 5,5fl.oz	Compressors on pallet	100
Refr. charge - tech. limit	150g / 5,3oz		
Free gas volume comp.	1500cm ³ / 50,7fl.oz		
Weight	7,8kg / 17,2lbs		
Motor protection	external		
Winding resistance main	32,7Ω (at 25°C)		
Winding resistance aux	29,2Ω (at 25°C)		
Max. winding temp.	130°C / 266°F		
Max. discharge temp.	130°C / 266°F		



General - Configurations with HTK55AA

	Conf. 1	Conf. 2
Motorconfiguration	RSIR	RSCR
Power supply (nominal)	220-240V/50Hz	220-240V/50Hz
Number of phases	1	1
Voltage range	187-264V	187-264V
Approvals	VDE	VDE
Starting torque	LST	LST
Note	Various options of connectors are possible - please contact SECOP-Sales.	

Applications with HTK55AA

	Conf. 1	Conf. 2
Refrigerant	R600a	R600a
Application	LBP	LBP
System cooling	static	static
Hot gas defrost	-/-	-/-
Long interval pull down	-/-	-/-

Electrical data - Configurations with HTK55AA

	Conf. 1	Conf. 2
Starting device type	PTC	PTC
Run capacitor	-/-	2,5μF
Start capacitor	-/-	-/-
LRA (locked rotor amps / 4s/ U(N))		
RLA (rated load amps / 1s/ U(N))	-/-A	-/-A
Cut in current (U(N))		

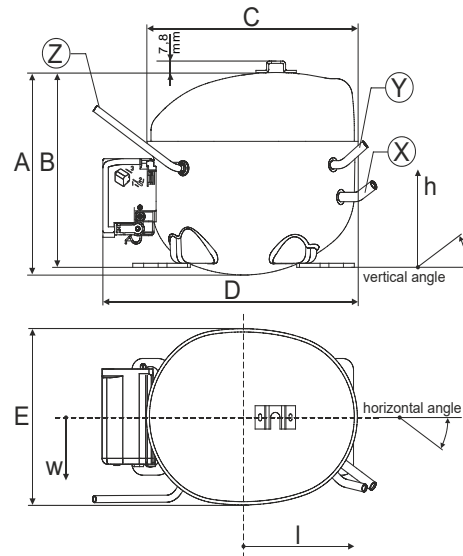
Model

Designation	HTK55AA	220-240V/50Hz 1~	Sales code:	16122700
-------------	----------------	------------------	-------------	-----------------

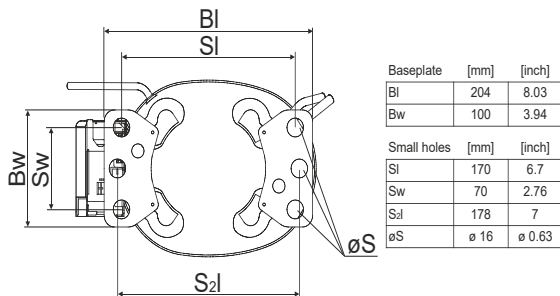
Compressor dimensions

Housing	A Height	166mm / 6,54in
	B Height	159mm / 6,26in
	C Length shell	194mm / 7,64in
	D Length w. cover	238mm / 9,37in
	E Width	151mm / 5,94in

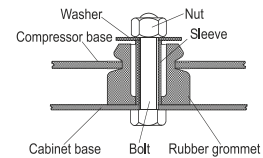
Connectors		Suction	Discharge	Process
		X	Y	Z
Diameter	[mm]	øi 6,1-6,2	øi 5,1-5,2	øo 5,92-6,08
	(i:inside, o:outside) [in]	øi 0,24-0,24	øi 0,2-0,2	øo 0,23-0,24
Material		copper	copper	copper
Horizontal angle	±2°	45°	13°	0°
Vertical angle	±2°	30°	40°	145°
Position l/h/w	[mm]	120/72/62	112/106/62	-140/136/70
	[in]	4,7/2,8/2,4	4,4/4,2/2,4	-5,5/5,4/2,8
Straight tube l.	[mm]	14	14	75
	[in]	0,5	0,5	3



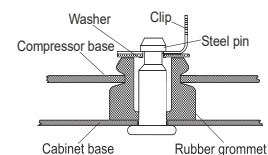
Compressor fixation



Bolt joint



Snap-on



Mounting accessories

'4ZN' with rubber grommet	order code	772N
'4ZN' with rubber grommet and sleeve for M6		768N
Bolt joint kit		4ZN + 118-1917 (18)
'4ZN' with Snap on kit		776N

Application notes

Provision for PE Grounding is located at the PE Stamp on the compressor Housing with dip-tray fixture (omega bracket).
 Various options of connectors are possible - please contact SECOP-Sales.

Model

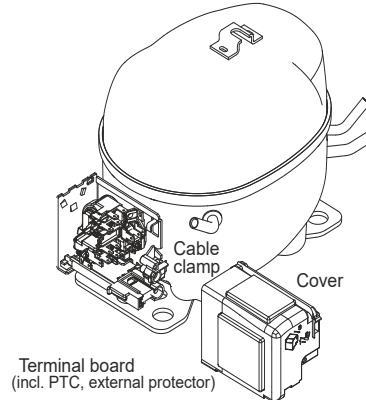
Designation	HTK55AA	220-240V/50Hz	Conf. 1	Sales code:	16122700
-------------	----------------	----------------------	---------	-------------	-----------------

Configuration

Motorconfiguration	RSIR
Power supply (nominal)	220-240V/50Hz 1~
Refrigerant	R600a
Application	LBP
Voltage range	187-264V
Starting torque	LST
Approvals	VDE

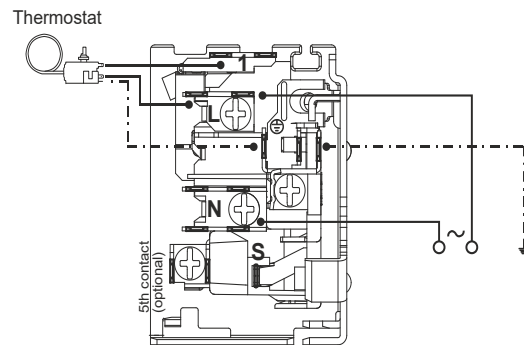
Electrical accessories / wiring diagram

RSIR



Ambient/ machine room temperatures minimum /maximum

Ambient temperature range:	10 - 43°C / 50 - 110°F
Machine room temperature range:	10 - 48°C / 50 - 119°F
Compressor cooling:	static



Operation pressure range



8858-6

Components

. terminal board (PTC, 4.8mm)	15165700
b cover terminal board	10636401
. cable clamp	11341000
. screw - uni6954	10636000
. screw - uni6954	10636200
. screw uni en iso 4757	10641201

Model

Designation **HTK55AA** **220-240V/50Hz** Conf. 1 Sales code: **16122700**

Optimization + standard conditions

R600a, 220V/50Hz, RSIR, static, VDE

Evaporating pressure (saturation temperature)				Condensing pressure (saturation temperature)			Power consumption					Ref. mass flow ṁ	ASHRAE LBP	
Return gas temp.		Liquid temp.		Cooling capacity	COP	EER	P1	Current consumption		i				
pe	pc	RGT	Tliq	[W]	[Btu/h]	[kcal/h]	[W/W]	[Btu/Wh]	[kcal/Wh]		[W]	[A]	[kg/h]	
[°C]	-23	54	32	32	93,0	318	80,0	1,55	5,29	1,33	60,0	0,40	1,00	ASHRAE LBP
[°F]	-10	130	90	90										
[°C]	-25	55	32	55	68,7	235	59,1	1,20	4,09	1,03	57,3	0,39	0,90	cecomaf LBP
[°F]	-13	131	90	131										
[°C]	-35	40	20	40	41,0	140	35,3	1,02	3,50	0,88	40,0	0,33	0,50	EN12900 LBP
[°F]	-31	104	68	104										
[°C]	-23	49	4,4	49	76,7	262	66,0	1,31	4,48	1,13	58,5	0,39	1,12	ARI540 LBP
[°F]	-10	120	40	120										
[°C]	-23	41	32	32	103,0	352	88,7	1,82	6,23	1,57	56,5	0,38	1,11	AHAM LBP
[°F]	-10	105	90	90										
[°C]	-35	45	32	45	38,8	133	33,4	0,97	3,30	0,83	40,2	0,32	0,46	opt
[°F]	-31	113	90	113										

Performance tables

R600a, 220V/50Hz, RSIR, static, VDE

	pe		Cooling capacity			COP	EER	P1	I	m	
	[°C]	[°F]	[W]	[Btu/h]	[kcal/h]	[W/W]	[Btu/Wh]	[kcal/Wh]	[W]	[A]	[kg/h]
[°C / °F]	-35	-31	38,8	133	33,4	0,97	3,30	0,83	40,2	0,32	0,46
cond. pressure	-30	-22	58,9	201	50,7	1,23	4,19	1,06	48,0	0,35	0,70
pc= 45/113	-25	-13	81,9	280	70,5	1,48	5,06	1,27	55,3	0,38	0,97
return gas temp.	-23	-10	90,4	309	77,8	1,57	5,35	1,35	57,7	0,39	1,08
RGT= 32/90	-20	-4	107,9	369	92,9	1,73	5,92	1,49	62,3	0,41	1,29
liquid temp	-15	5	137,2	468	118,1	1,99	6,78	1,71	69,1	0,44	1,64
Tliq= 45/113	-5	23	205,9	703	177,2	2,50	8,53	2,15	82,4	0,50	2,47
[°C / °F]	-35	-31	31,7	108	27,2	0,80	2,73	0,69	39,7	0,31	0,41
cond. pressure	-30	-22	48,5	166	41,8	1,00	3,42	0,86	48,5	0,35	0,63
pc= 55/131	-25	-13	68,7	235	59,1	1,20	4,09	1,03	57,3	0,39	0,90
return gas temp	-23	-10	76,3	261	65,7	1,27	4,32	1,09	60,3	0,40	1,00
RGT= 32/90	-20	-4	92,3	315	79,4	1,40	4,77	1,20	66,1	0,42	1,21
liquid temp	-15	5	119,5	408	102,8	1,59	5,44	1,37	75,0	0,46	1,56
Tliq= 55/131	-5	23	185,1	632	159,3	1,98	6,76	1,70	93,5	0,54	2,44

Model

Designation	HTK55AA	220-240V/50Hz	Conf. 2	Sales code:	16122700
-------------	----------------	----------------------	----------------	-------------	-----------------

Configuration

Motorconfiguration	RSCR
Power supply (nominal)	220-240V/50Hz 1~
Refrigerant	R600a
Application	LBP
Voltage range	187-264V
Starting torque	LST
Approvals	VDE

Electrical accessories / wiring diagram

RSCR

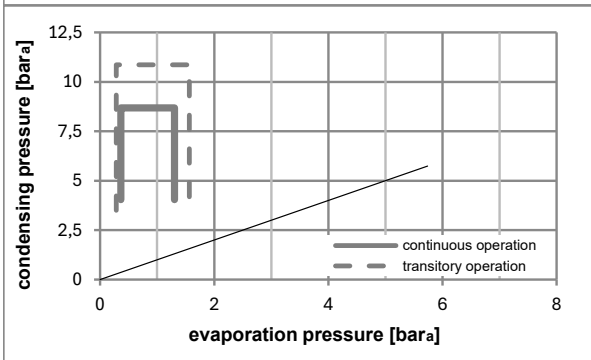
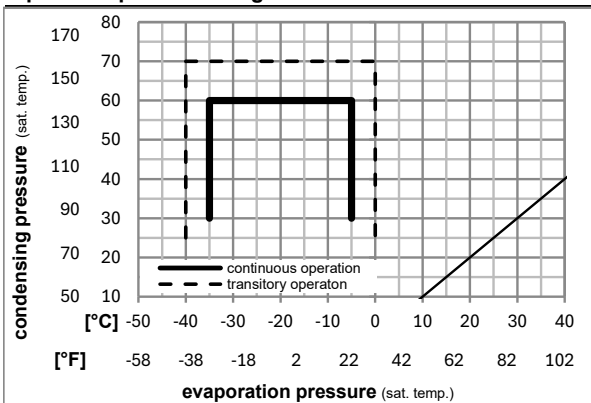


Ambient/ machine room temperatures minimum /maximum

Ambient temperature range:	10 - 43°C / 50 - 110°F
Machine room temperature range:	10 - 48°C / 50 - 119°F
Compressor cooling:	static



Operation pressure range



Components

. terminal board (PTC, 4.8mm)	15165700
. run capacitor (2,5µF, 4.8mm)	10692802
b cover terminal board	10636401
. cable clamp	11341000
. screw - uni6954	10636000
. screw - uni6954	10636200

Model

Designation	HTK55AA	220-240V/50Hz	Conf. 2	Sales code:	16122700
-------------	----------------	----------------------	----------------	-------------	-----------------

Optimization + standard conditions

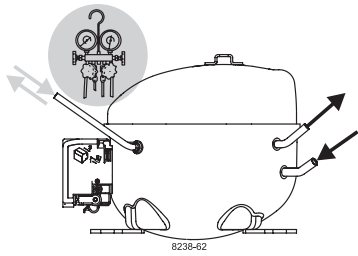
R600a, 220V/50Hz, RSCR, static, VDE

		Evaporating pressure (saturation temperature)				Condensing pressure (saturation temperature)			Return gas temp.		Liquid temp.		Cooling capacity			COP	EER	Power consumption			Ref. mass flow
		pe	pc	RGT	Tliq	[W]	[Btu/h]	[kcal/h]	[W/W]	[Btu/Wh]	[kcal/Wh]	[W]	I	m			P1	I	m		
[°C]	[°F]	[°C]	[°F]	[°C]	[°C]							[A]	[kg/h]								
-23	-10	54	130	32	32	93,0	318	80,0	1,61	5,49	1,38	57,8	0,29	1,00							ASHRAE LBP
-25	-13	55	131	32	55	68,7	235	59,1	1,25	4,25	1,07	55,2	0,28	0,90							cecomaf LBP
-35	-31	40	104	20	40	41,0	140	35,3	1,08	3,68	0,93	38,0	0,24	0,50							EN12900 LBP
-23	-10	49	120	4,4	49	76,7	262	66,0	1,36	4,63	1,17	56,6	0,29	1,12							ARI540 LBP
-23	-10	41	105	32	32	103,0	352	88,7	1,88	6,42	1,62	54,8	0,28	1,11							AHAM LBP
-35	-31	45	113	32	45	38,8	133	33,4	1,01	3,47	0,87	38,3	0,24	0,46							opt

Performance tables

R600a, 220V/50Hz, RSCR, static, VDE

	pe		Cooling capacity			COP	EER		P1	I	m
	[°C]	[°F]	[W]	[Btu/h]	[kcal/h]	[W/W]	[Btu/Wh]	[kcal/Wh]	[W]	[A]	[kg/h]
[°C / °F]	-35	-31	38,8	133	33,4	1,01	3,47	0,87	38,3	0,24	0,46
cond. pressure	-30	-22	58,9	201	50,7	1,28	4,36	1,10	46,1	0,26	0,70
pc= 45/113	-25	-13	81,9	280	70,5	1,53	5,23	1,32	53,5	0,28	0,97
return gas temp.	-23	-10	90,4	309	77,8	1,62	5,52	1,39	55,9	0,28	1,08
RGT= 32/90	-20	-4	107,9	369	92,9	1,79	6,10	1,54	60,5	0,30	1,29
liquid temp	-15	5	137,2	468	118,1	2,04	6,97	1,76	67,2	0,32	1,64
Tliq= 45/113	-5	23	205,9	703	177,2	2,55	8,70	2,19	80,8	0,37	2,47
[°C / °F]	-35	-31	31,7	108	27,2	0,84	2,85	0,72	37,9	0,23	0,41
cond. pressure	-30	-22	48,5	166	41,8	1,04	3,56	0,90	46,6	0,25	0,63
pc= 55/131	-25	-13	68,7	235	59,1	1,25	4,25	1,07	55,2	0,28	0,90
return gas temp	-23	-10	76,3	261	65,7	1,31	4,49	1,13	58,1	0,29	1,00
RGT= 32/90	-20	-4	92,3	315	79,4	1,45	4,95	1,25	63,7	0,31	1,21
liquid temp	-15	5	119,5	408	102,8	1,65	5,64	1,42	72,4	0,34	1,56
Tliq= 55/131	-5	23	185,1	632	159,3	2,04	6,96	1,75	90,9	0,39	2,44



K-Series Compressors

GTK, HKK, HMK, HTK, HXK, HZK



Service/Repair – R600a

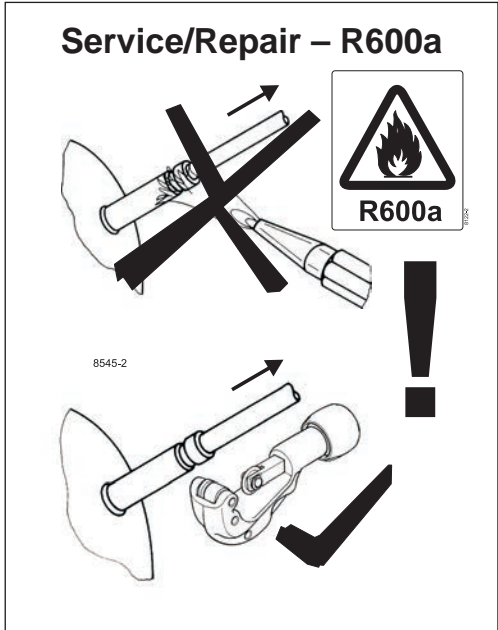
R600a

8545-2



K-Series Compressors

GTK, HKK, HMK, HTK, HXK, HZK



Secop accepts no responsibility for possible errors in catalogs, brochures, and other printed material. Secop reserves the right to alter its products without notice. This also applies to products already on order provided that such alterations can be made without subsequential changes being necessary to specifications already agreed. All trademarks in this material are the property of the respective companies. Secop and the Secop logotype are trademarks of Secop GmbH. All rights reserved. www.secop.com