

## Single Pack GS26MFX 220-240V 50Hz CSCR

Single pack code number: **195B4633**

| Position | Title                                      | Code     | Amount |
|----------|--|----------|--------|
| 1        | Compressor GS26MFX                         | 107B0700 | 1      |
| 2        | GS starting device (600mm)                 | 117-7055 | 1      |
| 3        | Bolt joint for one compressor   M8   ø19mm | 107B9150 | 1      |

**Secop GmbH** • Lise-Meitner-Straße 29 • 24941 Flensburg, Germany • Tel: +49 461 4941 0 • [www.secop.com](http://www.secop.com)

Secop accepts no responsibility for possible errors in catalogs, brochures, and other printed material. Secop reserves the right to alter its products without notice. This also applies to products already on order provided that such alterations can be made without subsequent changes being necessary to specifications already agreed. All trademarks in this material are the property of the respective companies. Secop and the Secop logotype are trademarks of Secop GmbH. All rights reserved.

**Model**

|             |                |                  |             |                 |
|-------------|----------------|------------------|-------------|-----------------|
| Designation | <b>GS26MFX</b> | 220-240V/50Hz 1~ | Sales code: | <b>107B0700</b> |
|-------------|----------------|------------------|-------------|-----------------|

**Compressor design**

|                            |                                  |                       |                                |
|----------------------------|----------------------------------|-----------------------|--------------------------------|
| Oil type                   | Polyolester                      | Refrigerant(s)        | <b>R134a, R513A</b>            |
| Oil viscosity              | 32,5cST                          | Displacement          | 26,3cm <sup>3</sup> / 1,6cu.in |
| Oil quantity               | 902cm <sup>3</sup> / 30,5fl.oz   | Compressors on pallet | 48                             |
| Refr. charge - tech. limit | 2000g / 70,5oz                   |                       |                                |
| Free gas volume comp.      | 3350cm <sup>3</sup> / 113,3fl.oz |                       |                                |
| Weight                     | 19,1kg / 42,1lbs                 |                       |                                |
| Motor protection           | 1# internal                      |                       |                                |
| Winding resistance main    | 3,7Ω (at 25°C)                   |                       |                                |
| Winding resistance aux     | 4Ω (at 25°C)                     |                       |                                |
| Max. winding temp.         | 135°C / 275°F                    |                       |                                |
| Max. discharge temp.       | 130°C / 266°F                    |                       |                                |



**General - Configurations with GS26MFX**

|                        | <b>Conf. 1</b>                                    | <b>Conf. 2</b> |
|------------------------|---|----------------|
| Motorconfiguration     | CSCR  | CSCR           |
| Power supply (nominal) | 220-240V/50Hz                                     | 220-240V/50Hz  |
| Number of phases       | 1   | 1              |
| Voltage range          | 198-254V  | 198-254V       |
| Approvals              | VDE, CCC  | VDE, CCC       |
| Starting torque        | HST   | HST            |
| Note                   | Cover, clamp, gasket: pre-assembled to compressor |                |

**Applications with GS26MFX**

|                         | <b>Conf. 1</b> | <b>Conf. 2</b> |
|-------------------------|----------------|----------------|
| Refrigerant             | R134a          | R513A          |
| Application             | MBP            | MBP            |
| System cooling          | fan 3m/s       | fan 3m/s       |
| Hot gas defrost         | OK             | OK             |
| Long interval pull down | OK             | OK             |

**Electrical data - Configurations with GS26MFX**

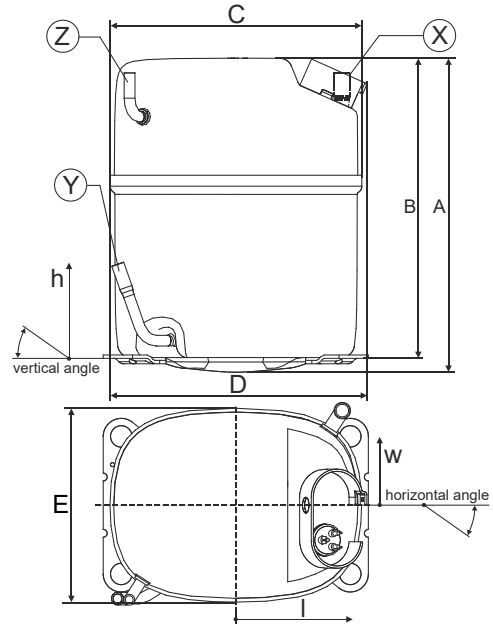
|                              | <b>Conf. 1</b> | <b>Conf. 2</b> |
|------------------------------|----------------|----------------|
| Starting device type         | relay          | relay          |
| Run capacitor                | 20μF           | 20μF           |
| Start capacitor              | 100μF          | 100μF          |
| LRA (locked rotor amps / 4s) | 20A            | 20A            |
| RLA (rated load amps / 1s)   | 3,8A           | 3,8A           |
| Cut in current               | 20A            | 20A            |
| IP class                     | 21             | 21             |

**Model**

|             |                |                  |             |                 |
|-------------|----------------|------------------|-------------|-----------------|
| Designation | <b>GS26MFX</b> | 220-240V/50Hz 1~ | Sales code: | <b>107B0700</b> |
|-------------|----------------|------------------|-------------|-----------------|

**Compressor dimensions**

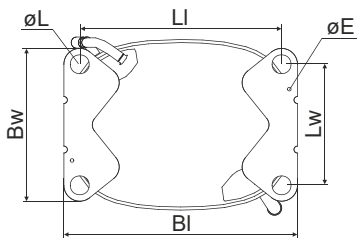
|                |                   |                |
|----------------|-------------------|----------------|
| <b>Housing</b> | A Height          | 259mm / 10,2in |
|                | B Height          | 247mm / 9,72in |
|                | C Length shell    | 224mm / 8,82in |
|                | D Length w. cover | 232mm / 9,13in |
|                | E Width           | 173mm / 6,81in |



| <b>Connectors</b>     |      | <b>Suction</b> | <b>Discharge</b> | <b>Process</b> |
|-----------------------|------|----------------|------------------|----------------|
|                       |      | <b>X</b>       | <b>Y</b>         | <b>Z</b>       |
| Diameter              | [mm] | øi 12,75-13,05 | øi 8,15-8,25     | øi 6,4-6,6     |
| (i:inside, o:outside) | [in] | øi 0,5-0,51    | øi 0,32-0,32     | øi 0,25-0,26   |
| Material              |      | copper         | copper           | copper         |
| Horizontal angle      | ±2°  | 0°             | 0°               | 0°             |
| Vertical angle        | ±2°  | 90°            | 71°              | 90°            |
| Position l/h/w        | [mm] | -95/234/-84    | -105/84/-84      | 95/234/84      |
|                       | [in] | -3,7/9,2/-3,3  | -4,1/3,3/-3,3    | 3,7/9,2/3,3    |
| Straight tube l.      | [mm] | 18             | 23               | 15             |
|                       | [in] | 0,7            | 0,9              | 0,6            |

**Compressor fixation**

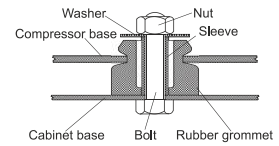
Bolt joint



| Baseplate | [mm]  | [inch] |
|-----------|-------|--------|
| BI        | 235   | 9.25   |
| Bw        | 154   | 6.06   |
| øE        | ø 3.6 | ø 0.14 |

| Large holes | [mm] | [inch] |
|-------------|------|--------|
| LI          | 203  | 7.99   |
| LW          | 122  | 4.80   |
| øL          | ø 19 | ø 0.75 |



**Mounting accessories**

Bolt joint | M8 | ø19mm one comp. 107B9150

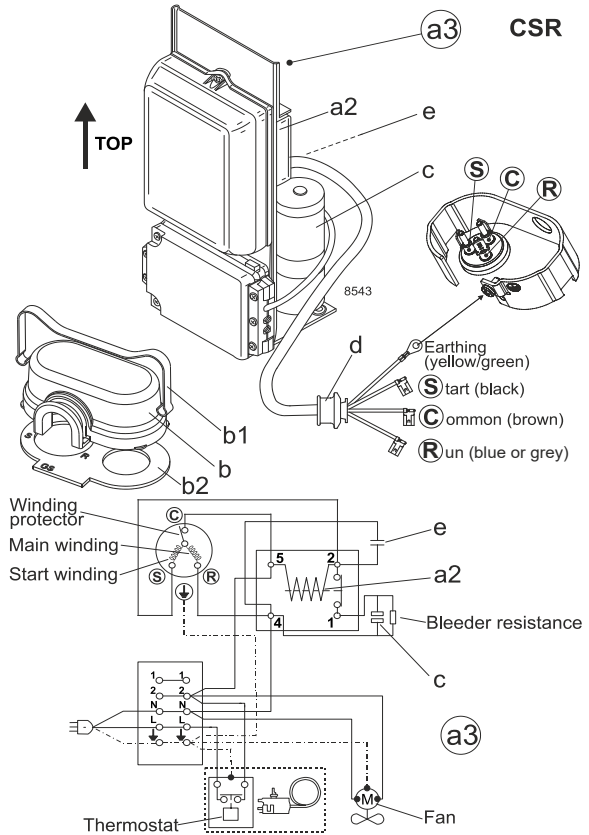
**Model**

|             |                |                      |                |             |                 |
|-------------|----------------|----------------------|----------------|-------------|-----------------|
| Designation | <b>GS26MFX</b> | <b>220-240V/50Hz</b> | <b>Conf. 1</b> | Sales code: | <b>107B0700</b> |
|-------------|----------------|----------------------|----------------|-------------|-----------------|

**Configuration**

|                        |                  |
|------------------------|------------------|
| Motorconfiguration     | CSCR             |
| Power supply (nominal) | 220-240V/50Hz 1~ |
| Refrigerant            | R134a            |
| Application            | MBP              |
| Voltage range          | 198-254V         |
| Starting torque        | HST              |
| Approvals              | VDE<br>CCC       |

**Electrical accessories / wiring diagram**

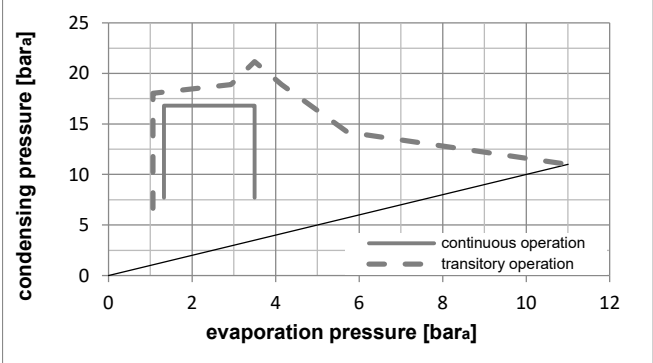
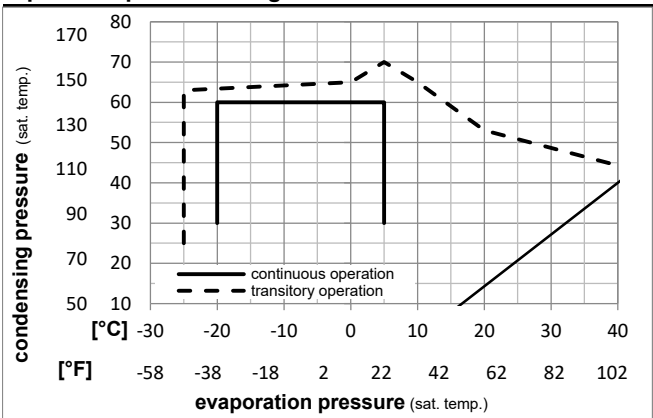


**Ambient temperatures / system cooling**

|                           |              |
|---------------------------|--------------|
| Ambient temperature min.: | 10°C / 50°F  |
| Ambient temperature max.: | 43°C / 110°F |

| System cooling (n/a: outside limits) |     |          |     |
|--------------------------------------|-----|----------|-----|
| T ambient                            | LBP | MBP      | HBP |
| 32°C / 90°F                          | n/a | fan 3m/s | n/a |
| 38°C / 100°F                         | n/a | fan 3m/s | n/a |
| 43°C / 110°F                         | n/a | fan 3m/s | n/a |

**Operation pressure range**



**Components (cover, clamp, gasket: pre assembled)**

|    |                        |          |
|----|------------------------|----------|
| a3 | GS starter kit (600mm) | 117-7055 |
| b  | cover                  | 107B9101 |
| b2 | gasket                 | 107B9100 |
| b1 | clamp                  | 107B9104 |

**Model**

Designation **GS26MFX 220-240V/50Hz** Conf. 1 Sales code: **107B0700**

**Optimization + standard conditions**

220V/50Hz, CSCR, fan 3m/s, VDE, CCC

| Evaporating pressure (saturation temperature) |       |      |      |      | Condensing pressure (saturation temperature) |          |        |          |           |      | Power consumption   |        |       |                     | ASHRAE<br>MBP |
|---|-------|------|------|------|--|----------|--------|----------|-----------|------|---------------------|--------|-------|---------------------|---------------|
| Return gas temp.                              |       |      |      |      | Liquid temp.                                 |          |        |          |           |      | Current consumption |        |       | Ref. mass flow<br>ṁ |               |
| Cooling capacity                              |       |      |      |      | COP  |          | EER    |          | P1        | I    | ṁ                   |        |       |                     |               |
| pe  | pc    | RGT  | Tliq | [W]  | [Btu/h]                                      | [kcal/h] | [W/W]  | [Btu/Wh] | [kcal/Wh] | [W]  | [A]                 | [kg/h] |       |                     |               |
| [°C]  | -6,66 | 54,4 | 35   | 46,1 | 1448,4                                       | 4947     | 1246,5 | 1,82     | 6,23      | 1,57 | 794,3               | 3,69   | 31,60 | ASHRAE<br>MBP       |               |
| [°F]  | 20    | 130  | 95   | 115  |  |          |        |          |           |      |                     |        |       |                     |               |
| [°C]  | -10   | 55   | 32   | 55   | 1118,3                                       | 3819     | 962,5  | 1,52     | 5,20      | 1,31 | 735,1               | 3,42   | 27,04 | cecomaf<br>MBP      |               |
| [°F]  | 14    | 131  | 89,6 | 131  |  |          |        |          |           |      |                     |        |       |                     |               |
| [°C]  | -10   | 45   | 20   | 45   | 1265,5                                       | 4322     | 1089,1 | 1,82     | 6,22      | 1,57 | 695,3               | 3,18   | 29,62 | EN12900<br>MBP      |               |
| [°F]  | 14    | 113  | 68   | 113  |  |          |        |          |           |      |                     |        |       |                     |               |
| [°C]  | -6,66 | 48,9 | 18,3 | 48,9 | 1380,0                                       | 4713     | 1187,6 | 1,80     | 6,15      | 1,55 | 765,8               | 3,53   | 34,09 | ARI540<br>MBP       |               |
| [°F]  | 20    | 120  | 65   | 120  |  |          |        |          |           |      |                     |        |       |                     |               |
| [°C]  | -10   | 45   | 32   | 45   | 1314,1                                       | 4488     | 1131,0 | 1,89     | 6,45      | 1,63 | 695,3               | 3,18   | 28,76 | opt                 |               |
| [°F]  | 14    | 113  | 89,6 | 113  |  |          |        |          |           |      |                     |        |       |                     |               |
| [°C]  | -25   | 45   | 32   | 45   | 575,5  | 1965     | 495,2  | 1,21     | 4,14      | 1,04 | 474,4               | 2,32   | 12,47 | opt                 |               |
| [°F]  | -13   | 113  | 89,6 | 113  |  |          |        |          |           |      |                     |        |       |                     |               |

**Performance tables**

220V/50Hz, CSCR, fan 3m/s, VDE, CCC

|                  | pe   | Cooling capacity |        |         | COP      |       | EER      |           | P1     | I    | m      |
|------------------|------|------------------|--------|---------|----------|-------|----------|-----------|--------|------|--------|
|                  | [°C] | [°F]             | [W]    | [Btu/h] | [kcal/h] | [W/W] | [Btu/Wh] | [kcal/Wh] | [W]    | [A]  | [kg/h] |
| [°C / °F]        | -20  | -4               | 782,1  | 2671    | 673,1    | 1,43  | 4,89     | 1,23      | 545,7  | 2,57 | 16,99  |
| cond. pressure   | -15  | 5                | 1026,0 | 3504    | 883,0    | 1,66  | 5,66     | 1,43      | 619,3  | 2,86 | 22,37  |
| pc= 45/113       | -10  | 14               | 1314,1 | 4488    | 1131,0   | 1,89  | 6,45     | 1,63      | 695,3  | 3,18 | 28,76  |
| return gas temp. | -6,7 | 20               | 1531,9 | 5232    | 1318,3   | 2,05  | 7,00     | 1,76      | 747,0  | 3,42 | 33,63  |
| RGT= 32/90       | -5   | 23               | 1653,4 | 5647    | 1422,9   | 2,14  | 7,29     | 1,84      | 774,1  | 3,55 | 36,36  |
| liquid temp      | 0    | 32               | 2050,8 | 7004    | 1765,0   | 2,40  | 8,18     | 2,06      | 856,0  | 3,94 | 45,35  |
| Tliq= 45/113     | 5    | 41               | 2513,8 | 8585    | 2163,4   | 2,67  | 9,12     | 2,30      | 941,1  | 4,38 | 55,96  |
| [°C / °F]        | -20  | -4               | 656,9  | 2244    | 565,4    | 1,17  | 3,99     | 1,00      | 562,6  | 2,63 | 15,76  |
| cond. pressure   | -15  | 5                | 870,2  | 2972    | 748,9    | 1,35  | 4,60     | 1,16      | 646,4  | 3,01 | 20,95  |
| pc= 55/131       | -10  | 14               | 1118,3 | 3819    | 962,5    | 1,52  | 5,20     | 1,31      | 735,1  | 3,42 | 27,04  |
| return gas temp  | -6,7 | 20               | 1304,6 | 4455    | 1122,8   | 1,64  | 5,59     | 1,41      | 796,6  | 3,71 | 31,65  |
| RGT= 32/90       | -5   | 23               | 1408,3 | 4810    | 1212,0   | 1,70  | 5,80     | 1,46      | 829,1  | 3,86 | 34,23  |
| liquid temp      | 0    | 32               | 1747,3 | 5967    | 1503,7   | 1,88  | 6,43     | 1,62      | 928,7  | 4,35 | 42,74  |
| Tliq= 55/131     | 5    | 41               | 2142,6 | 7317    | 1844,0   | 2,07  | 7,08     | 1,78      | 1034,0 | 4,86 | 52,80  |

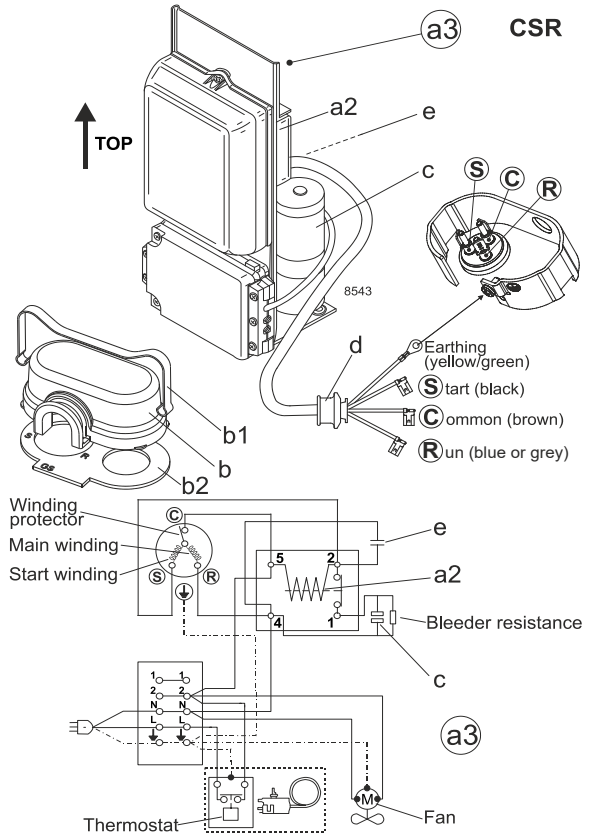
**Model**

|             |                |                      |                |             |                 |
|-------------|----------------|----------------------|----------------|-------------|-----------------|
| Designation | <b>GS26MFX</b> | <b>220-240V/50Hz</b> | <b>Conf. 2</b> | Sales code: | <b>107B0700</b> |
|-------------|----------------|----------------------|----------------|-------------|-----------------|

**Configuration**

|                        |                  |
|------------------------|------------------|
| Motorconfiguration     | CSCR             |
| Power supply (nominal) | 220-240V/50Hz 1~ |
| Refrigerant            | R513A            |
| Application            | MBP              |
| Voltage range          | 198-254V         |
| Starting torque        | HST              |
| Approvals              | VDE<br>CCC       |

**Electrical accessories / wiring diagram**

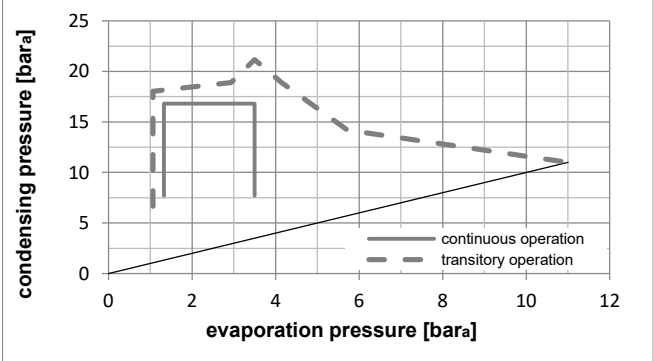
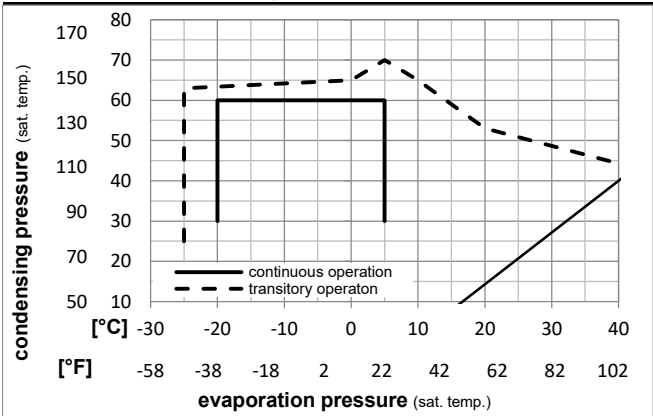


**Ambient temperatures / system cooling**

|                           |              |
|---------------------------|--------------|
| Ambient temperature min.: | 10°C / 50°F  |
| Ambient temperature max.: | 43°C / 110°F |

| System cooling (n/a: outside limits) |     |          |     |
|--------------------------------------|-----|----------|-----|
| T ambient                            | LBP | MBP      | HBP |
| 32°C / 90°F                          | n/a | fan 3m/s | n/a |
| 38°C / 100°F                         | n/a | fan 3m/s | n/a |
| 43°C / 110°F                         | n/a | fan 3m/s | n/a |

**Operation pressure range**



**Components (cover, clamp, gasket: pre assembled)**

|    |                        |          |
|----|------------------------|----------|
| a3 | GS starter kit (600mm) | 117-7055 |
| b  | cover                  | 107B9101 |
| b2 | gasket                 | 107B9100 |
| b1 | clamp                  | 107B9104 |

**Model**

Designation **GS26MFX 220-240V/50Hz** Conf. **2** Sales code: **107B0700**

**Optimization + standard conditions**

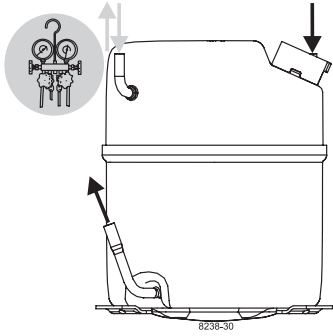
220V/50Hz, CSCR, fan 3m/s, VDE, CCC

| Evaporating pressure (saturation temperature) |       |      |      |      | Condensing pressure (saturation temperature) |          |        |          |           | Power consumption   |       |      |                     | ASHRAE<br>MBP  |
|---|-------|------|------|------|--|----------|--------|----------|-----------|---------------------|-------|------|---------------------|----------------|
| Return gas temp.                              |       |      |      |      | Liquid temp.                                 |          |        |          |           | Current consumption |       |      | Ref. mass flow<br>ṁ |                |
| Cooling capacity                              |       |      |      |      | COP  | EER      |        | P1       | I         | ṁ                   |       |      |                     |                |
| pe  | pc    | RGT  | Tliq | [W]  | [Btu/h]                                      | [kcal/h] | [W/W]  | [Btu/Wh] | [kcal/Wh] |                     | [W]   | [A]  | [kg/h]              |                |
| [°C]  | -6,66 | 54,4 | 35   | 46,1 | 1535,4                                       | 5244     | 1321,4 | 1,81     | 6,18      | 1,56                | 848,3 | 3,97 | 37,61               | ASHRAE<br>MBP  |
| [°F]  | 20    | 130  | 95   | 115  |  |          |        |          |           |                     |       |      |                     |                |
| [°C]  | -10   | 55   | 32   | 55   | 1172,9                                       | 4006     | 1009,4 | 1,49     | 5,08      | 1,28                | 788,7 | 3,69 | 32,43               | cecomaf<br>MBP |
| [°F]  | 14    | 131  | 89,6 | 131  |  |          |        |          |           |                     |       |      |                     |                |
| [°C]  | -10   | 45   | 20   | 45   | 1333,2                                       | 4553     | 1147,4 | 1,79     | 6,12      | 1,54                | 743,4 | 3,48 | 35,34               | EN12900<br>MBP |
| [°F]  | 14    | 113  | 68   | 113  |  |          |        |          |           |                     |       |      |                     |                |
| [°C]  | -6,66 | 48,9 | 18,3 | 48,9 | 1435,6                                       | 4903     | 1235,5 | 1,76     | 6,01      | 1,51                | 816,5 | 3,82 | 40,45               | ARI540<br>MBP  |
| [°F]  | 20    | 120  | 65   | 120  |  |          |        |          |           |                     |       |      |                     |                |
| [°C]  | -10   | 45   | 32   | 45   | 1395,4                                       | 4766     | 1200,9 | 1,88     | 6,41      | 1,62                | 743,4 | 3,48 | 34,31               | opt            |
| [°F]  | 14    | 113  | 89,6 | 113  |  |          |        |          |           |                     |       |      |                     |                |
| [°C]  | -25   | 45   | 32   | 45   | 634,1  | 2165     | 545,7  | 1,22     | 4,16      | 1,05                | 520,0 | 2,46 | 15,45               | opt            |
| [°F]  | -13   | 113  | 89,6 | 113  |  |          |        |          |           |                     |       |      |                     |                |

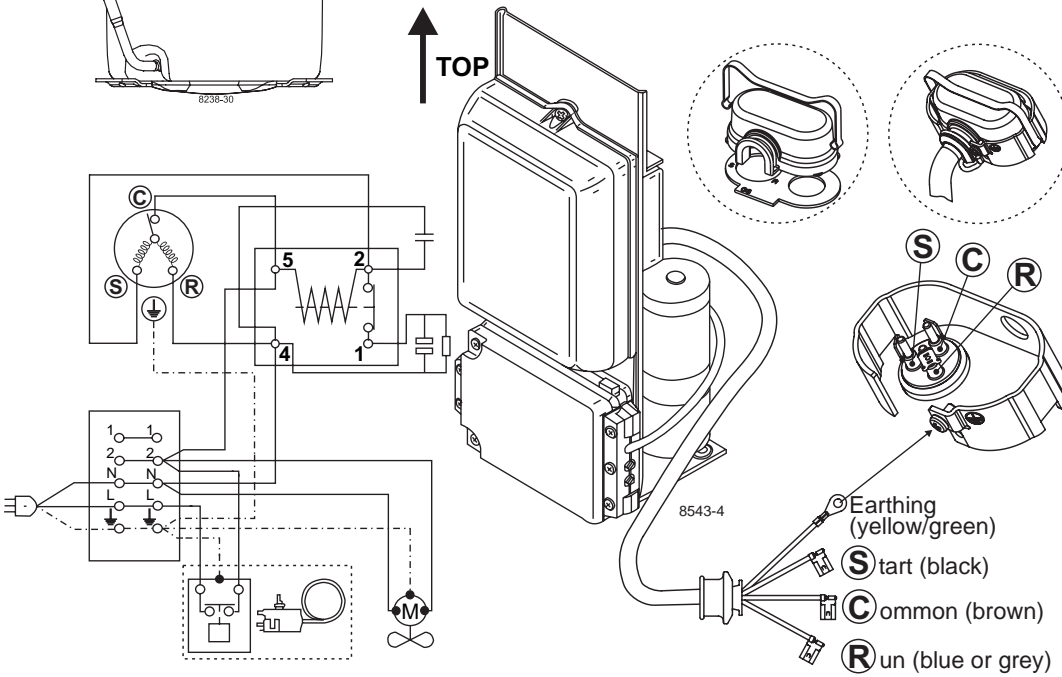
**Performance tables**

220V/50Hz, CSCR, fan 3m/s, VDE, CCC

|                  | pe   | Cooling capacity |        |         | COP      | EER   |          | P1        | I      | m    |        |
|------------------|------|------------------|--------|---------|----------|-------|----------|-----------|--------|------|--------|
|                  | [°C] | [°F]             | [W]    | [Btu/h] | [kcal/h] | [W/W] | [Btu/Wh] | [kcal/Wh] | [W]    | [A]  | [kg/h] |
| [°C / °F]        | -20  | -4               | 849,2  | 2900    | 730,8    | 1,43  | 4,90     | 1,23      | 592,2  | 2,79 | 20,75  |
| cond. pressure   | -15  | 5                | 1100,8 | 3759    | 947,4    | 1,65  | 5,64     | 1,42      | 666,5  | 3,13 | 26,97  |
| pc= 45/113       | -10  | 14               | 1395,4 | 4766    | 1200,9   | 1,88  | 6,41     | 1,62      | 743,4  | 3,48 | 34,31  |
| return gas temp. | -6,7 | 20               | 1616,5 | 5521    | 1391,2   | 2,03  | 6,94     | 1,75      | 795,6  | 3,72 | 39,85  |
| RGT= 32/90       | -5   | 23               | 1739,4 | 5940    | 1496,9   | 2,11  | 7,22     | 1,82      | 823,1  | 3,85 | 42,94  |
| liquid temp      | 0    | 32               | 2139,4 | 7306    | 1841,2   | 2,36  | 8,07     | 2,03      | 905,9  | 4,23 | 53,06  |
| Tliq= 45/113     | 5    | 41               | 2602,0 | 8886    | 2239,3   | 2,62  | 8,96     | 2,26      | 992,1  | 4,63 | 64,90  |
| [°C / °F]        | -20  | -4               | 707,0  | 2415    | 608,4    | 1,15  | 3,93     | 0,99      | 614,5  | 2,89 | 19,41  |
| cond. pressure   | -15  | 5                | 923,5  | 3154    | 794,8    | 1,32  | 4,51     | 1,14      | 698,9  | 3,28 | 25,44  |
| pc= 55/131       | -10  | 14               | 1172,9 | 4006    | 1009,4   | 1,49  | 5,08     | 1,28      | 788,7  | 3,69 | 32,43  |
| return gas temp  | -6,7 | 20               | 1358,8 | 4640    | 1169,4   | 1,60  | 5,45     | 1,37      | 851,0  | 3,98 | 37,68  |
| RGT= 32/90       | -5   | 23               | 1461,8 | 4992    | 1258,1   | 1,65  | 5,65     | 1,42      | 884,1  | 4,13 | 40,61  |
| liquid temp      | 0    | 32               | 1796,8 | 6137    | 1546,4   | 1,82  | 6,23     | 1,57      | 985,5  | 4,60 | 50,18  |
| Tliq= 55/131     | 5    | 41               | 2184,7 | 7461    | 1880,1   | 2,00  | 6,83     | 1,72      | 1093,1 | 5,09 | 61,39  |



# GS Compressors



|            | S       | C          | R                  |
|------------|---------|------------|--------------------|
| ENGLISH    | Black   | Brown      | Blue or grey       |
| DEUTSCH    | Schwarz | Braun      | Blau od. grau      |
| FRANÇAIS   | Noir    | Marron     | Bleu ou gris       |
| ESPAÑOL    | Negro   | Marrón     | Azul o gris        |
| ITALIANO   | Nero    | Marrone    | Blu o grigio       |
| NEDERLANDS | Zwart   | Bruin      | Blauw of grijs     |
| DANSK      | Sort    | Brun       | Blå eller grå      |
| SVENSKA    | Svart   | Brun       | Blå eller grå      |
| SUOMEKSI   | Musta   | Ruskea     | Sininen tai harmaa |
| РУССКИЙ    | Чёрный  | Коричневый | Синий или серый    |
| 中文         | 黑色      | 棕色         | 蓝色或灰色              |

Secop accepts no responsibility for possible errors in catalogs, brochures, and other printed material. Secop reserves the right to alter its products without notice. This also applies to products already on order provided that such alterations can be made without consequential changes being necessary to specifications already agreed. All trademarks in this material are the property of the respective companies. Secop and the Secop logotype are trademarks of Secop GmbH. All rights reserved. [www.secop.com](http://www.secop.com)