

## Single Pack GS26CLX 208-230V 60Hz CSCR

Single pack code number: **195B4635**

| Position | Title                                      | Code     | Amount |
|----------|--|----------|--------|
| 1        | Compressor GS26CLX                         | 107B0505 | 1      |
| 2        | GS starting device (600mm)                 | 117-7073 | 1      |
| 3        | Bolt joint for one compressor   M8   ø19mm | 107B9150 | 1      |

**Secop GmbH** • Lise-Meitner-Straße 29 • 24941 Flensburg, Germany • Tel: +49 461 4941 0 • [www.secop.com](http://www.secop.com)

Secop accepts no responsibility for possible errors in catalogs, brochures, and other printed material. Secop reserves the right to alter its products without notice. This also applies to products already on order provided that such alterations can be made without subsequent changes being necessary to specifications already agreed. All trademarks in this material are the property of the respective companies. Secop and the Secop logotype are trademarks of Secop GmbH. All rights reserved.

## GS26CLX LBP Compressor R404A/R507 208-230V 60Hz

### General

|                       |          |
|-----------------------|----------|
| Code number           | 107B0505 |
| Approvals             | UL984    |
| Compressors on pallet | 48       |

### Application

| Application                                    | LBP |    |            |  |
|--|-----|----|------------|--|
| Frequency                                      | Hz  | 50 | 60         |  |
| Evaporating temperature                        | °C  | -  | -45 to -10 |  |
| Voltage range                                  | V   | -  | 187 - 254  |  |
| Max. condensing temperature continuous (short) | °C  | -  | 50 (60)    |  |
| Max. winding temperature continuous (short)    | °C  | -  | 125 (135)  |  |

### Cooling requirements

| Frequency               | Hz | 50  |     |     | 60             |     |     |
|-------------------------|----|-----|-----|-----|----------------|-----|-----|
| Application             |    | LBP | MBP | HBP | LBP            | MBP | HBP |
| 32°C                    |    | -   | -   | -   | F <sub>2</sub> | -   | -   |
| 38°C                    |    | -   | -   | -   | F <sub>2</sub> | -   | -   |
| 43°C                    |    | -   | -   | -   | F <sub>2</sub> | -   | -   |
| Remarks on application: |    |     |     |     |                |     |     |

### Motor

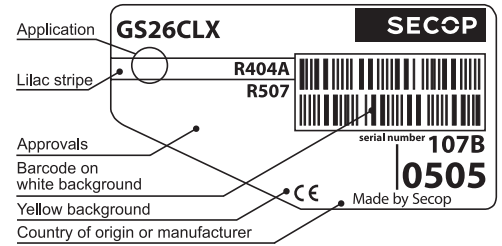
| Motor type                                | CSR |      |     |
|---|-----|------|-----|
| LRA (rated after 4 sec. UL984), HST   LST | A   | 45.4 | -   |
| Cut in Current, HST   LST                 | A   | 45.4 | -   |
| Resistance, main   start winding (25°C)   | Ω   | 1.4  | 5.8 |

### Design

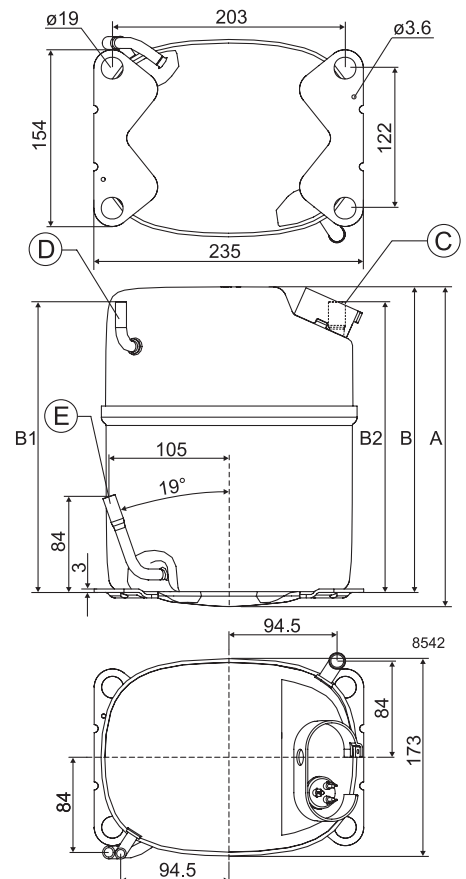
|                                     |                 |                   |
|-------------------------------------|-----------------|-------------------|
| Displacement                        | cm <sup>3</sup> | 26.30             |
| Oil quantity (type)                 | cm <sup>3</sup> | 900 (polyolester) |
| Maximum refrigerant charge          | g               | 2000              |
| Free gas volume in compressor       | cm <sup>3</sup> | 3540              |
| Weight without electrical equipment | kg              | 22.2              |

### Dimensions

|                      |                          |                                  |            |
|----------------------|--------------------------|----------------------------------|------------|
| Height               | mm                       | A                                | 279        |
|                      |                          | B                                | 267        |
|                      |                          | B1                               | 254        |
|                      |                          | B2                               | 254        |
| Suction connector    | location/I.D. mm   angle | C                                | 12.9   90° |
|                      | material   comment       | Copper   Rubber plug             |            |
| Process connector    | location/I.D. mm   angle | D                                | 6.5   90°  |
|                      | material   comment       | Copper   Rubber plug             |            |
| Discharge connector  | location/I.D. mm   angle | E                                | 8.2   19°  |
|                      | material   comment       | Copper   Rubber plug             |            |
| Oil cooler connector | location/I.D. mm   angle | F                                | -          |
|                      | material   comment       | -                                |            |
| Connector tolerance  | I.D. mm                  | 12.9 ±0.05, 8.2 ±0.05, 6.5 ±0.10 |            |
| Remarks:             |                          |                                  |            |



- S = Static cooling normally sufficient
- O = Oil cooling
- F<sub>1</sub> = Fan cooling 1.5 m/s (compressor compartment temperature equal to ambient temperature)
- F<sub>2</sub> = Fan cooling 3.0 m/s necessary
- SG = Suction gas cooling normally sufficient
- = not applicable in this area



**EN 12900**

230V, 60Hz, fan cooling F<sub>2</sub>

|                    |      |      |      |      |      |       |      |      |      |      |    |   |   |     |    |    |    |
|--------------------|------|------|------|------|------|-------|------|------|------|------|----|---|---|-----|----|----|----|
| Evap. temp. in °C  | -45  | -40  | -35  | -30  | -25  | -23.3 | -20  | -15  | -10  | -6.7 | -5 | 0 | 5 | 7.2 | 10 | 15 | 20 |
| Capacity in W      | 383  | 586  | 830  | 1120 | 1464 | 1590  | 1865 | 2330 | 2864 |      |    |   |   |     |    |    |    |
| Power cons. in W   | 533  | 662  | 789  | 917  | 1048 | 1094  | 1190 | 1344 | 1516 |      |    |   |   |     |    |    |    |
| Current cons. in A | 3.44 | 3.65 | 3.91 | 4.23 | 4.60 | 4.74  | 5.04 | 5.53 | 6.07 |      |    |   |   |     |    |    |    |
| COP in W/W         | 0.72 | 0.88 | 1.05 | 1.22 | 1.40 | 1.45  | 1.57 | 1.73 | 1.89 |      |    |   |   |     |    |    |    |

**ARI 540-99 (LBP1)**

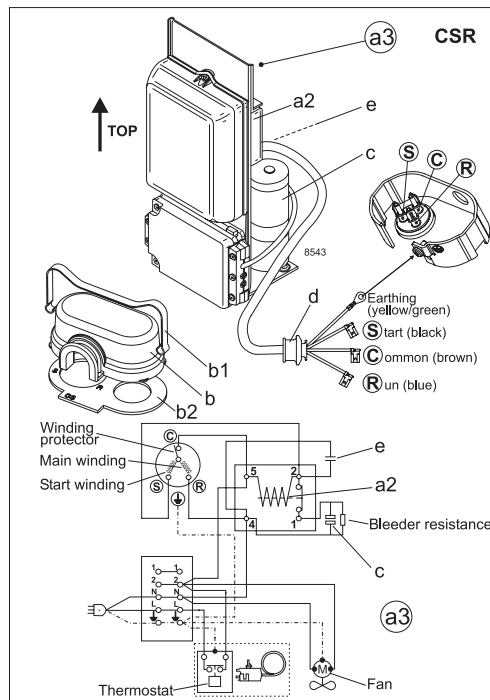
230V, 60Hz, fan cooling F<sub>2</sub>

|                    |      |      |      |      |      |       |      |      |      |      |    |   |   |     |    |    |    |
|--------------------|------|------|------|------|------|-------|------|------|------|------|----|---|---|-----|----|----|----|
| Evap. temp. in °C  | -45  | -40  | -35  | -30  | -25  | -23.3 | -20  | -15  | -10  | -6.7 | -5 | 0 | 5 | 7.2 | 10 | 15 | 20 |
| Capacity in W      | 228  | 395  | 592  | 826  | 1102 | 1203  | 1423 | 1798 | 2229 |      |    |   |   |     |    |    |    |
| Power cons. in W   | 491  | 646  | 795  | 942  | 1090 | 1141  | 1247 | 1413 | 1595 |      |    |   |   |     |    |    |    |
| Current cons. in A | 3.34 | 3.60 | 3.92 | 4.29 | 4.73 | 4.88  | 5.21 | 5.76 | 6.35 |      |    |   |   |     |    |    |    |
| COP in W/W         | 0.46 | 0.61 | 0.74 | 0.88 | 1.01 | 1.05  | 1.14 | 1.27 | 1.40 |      |    |   |   |     |    |    |    |

**ARI 540-99 (LBP2)**

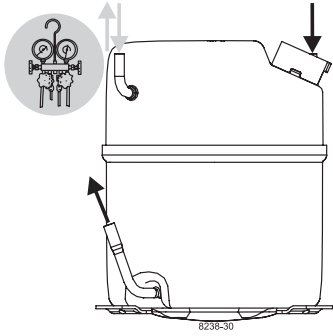
230V, 60Hz, fan cooling F<sub>2</sub>

|                    |      |      |      |      |      |       |      |      |      |      |    |   |   |     |    |    |    |
|--------------------|------|------|------|------|------|-------|------|------|------|------|----|---|---|-----|----|----|----|
| Evap. temp. in °C  | -45  | -40  | -35  | -30  | -25  | -23.3 | -20  | -15  | -10  | -6.7 | -5 | 0 | 5 | 7.2 | 10 | 15 | 20 |
| Capacity in W      | 357  | 548  | 779  | 1054 | 1378 | 1499  | 1759 | 2200 | 2707 |      |    |   |   |     |    |    |    |
| Power cons. in W   | 531  | 662  | 790  | 919  | 1052 | 1098  | 1193 | 1348 | 1522 |      |    |   |   |     |    |    |    |
| Current cons. in A | 1.82 | 2.26 | 2.72 | 3.18 | 3.66 | 3.83  | 4.16 | 4.67 | 5.19 |      |    |   |   |     |    |    |    |
| COP in W/W         | 0.67 | 0.83 | 0.99 | 1.15 | 1.31 | 1.36  | 1.47 | 1.63 | 1.78 |      |    |   |   |     |    |    |    |

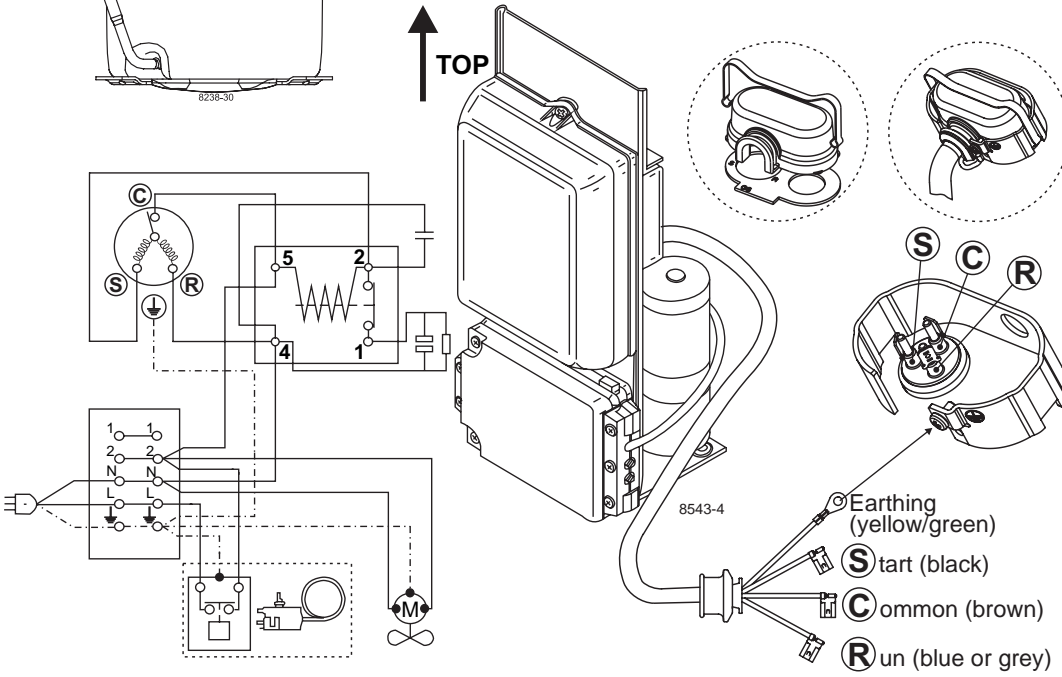


| Accessories for GS26CLX (60Hz)                       | Figure | Code number                   | Test conditions             | EN 12900      | ARI 540-99 (LBP1) | ARI 540-99 (LBP2) |
|--|--------|-------------------------------|-----------------------------|---------------|-------------------|-------------------|
| Starting device<br>600 mm cable length               | a3     | 117-7073                      | Condensing temperature      | 40°C          | 48.9°C            | 40.6°C            |
|  |        |                               | Ambient temperature         | 32°C          | 35°C              | 35°C              |
|  |        |                               | Suction gas temperature     | 20°C          | 4.4°C             | 4.4°C             |
| Cover  | b      | 107B9106 *)                   | Liquid temperature          | no subcooling | no subcooling     | no subcooling     |
| Clamp  | b1     | 107B9104 *)                   | <b>Mounting accessories</b> |               |                   |                   |
| Gasket   | b2     | 107B9100 *)                   | <b>Code number</b>          |               |                   |                   |
| Starting relay                                       | a2     | Components of starting device | Bolt joint for one comp.    | 107B9150      |                   |                   |
| Start. capacitor                                     | c      |                               | Bolt joint in quantities    | -             |                   |                   |
| Run capacitor  | e      |                               | Snap-on in quantities       | -             |                   |                   |
| *) Remarks: Cover, clamp, gasket parts of compressor |        |                               |                             |               |                   |                   |

Secop accepts no responsibility for possible errors in catalogs, brochures, and other printed material. Secop reserves the right to alter its products without notice. This also applies to products already on order provided that such alterations can be made without consequential changes being necessary to specifications already agreed. All trademarks in this material are the property of the respective companies. Secop and the Secop logotype are trademarks of Secop GmbH. All rights reserved. [www.secop.com](http://www.secop.com)



# GS Compressors



|            | S       | C          | R                  |
|------------|---------|------------|--------------------|
| ENGLISH    | Black   | Brown      | Blue or grey       |
| DEUTSCH    | Schwarz | Braun      | Blau od. grau      |
| FRANÇAIS   | Noir    | Marron     | Bleu ou gris       |
| ESPAÑOL    | Negro   | Marrón     | Azul o gris        |
| ITALIANO   | Nero    | Marrone    | Blu o grigio       |
| NEDERLANDS | Zwart   | Bruin      | Blauw of grijs     |
| DANSK      | Sort    | Brun       | Blå eller grå      |
| SVENSKA    | Svart   | Brun       | Blå eller grå      |
| SUOMEKSI   | Musta   | Ruskea     | Sininen tai harmaa |
| РУССКИЙ    | Чёрный  | Коричневый | Синий или серый    |
| 中文         | 黑色      | 棕色         | 蓝色或灰色              |

Secop accepts no responsibility for possible errors in catalogs, brochures, and other printed material. Secop reserves the right to alter its products without notice. This also applies to products already on order provided that such alterations can be made without consequential changes being necessary to specifications already agreed. All trademarks in this material are the property of the respective companies. Secop and the Secop logotype are trademarks of Secop GmbH. All rights reserved. [www.secop.com](http://www.secop.com)