

Single Pack NLU11KK.1 220-240V 50Hz RSCR

Single pack code number: **195B4648**

| Position | Title | Code | Amount |
|----------|--|----------|--------|
| 1 | Compressor NLU11KK.1 | 105H6132 | 1 |
| 2 | e-PTC starting device (220V, 380hm, 4.8mm) | 103N0055 | 1 |
| 3 | Run capacitor holder | 117-0300 | 1 |
| 4 | Screw for bracket M4x8mm | 117-0301 | 1 |
| 5 | Run capacitor (2.5µF 320V, 4.8mm) | 117-7139 | 1 |
| 6 | Cord relief | 103N1010 | 1 |
| 7 | Cover | 103N2010 | 1 |
| 8 | Bolt joint for one compressor M6 ø16mm | 118-1917 | 1 |

Secop GmbH • Lise-Meitner-Straße 29 • 24941 Flensburg, Germany • Tel: +49 461 4941 0 • www.secop.com

Secop accepts no responsibility for possible errors in catalogs, brochures, and other printed material. Secop reserves the right to alter its products without notice. This also applies to products already on order provided that such alterations can be made without subsequent changes being necessary to specifications already agreed. All trademarks in this material are the property of the respective companies. Secop and the Secop logotype are trademarks of Secop GmbH. All rights reserved.

Model

| | | | | |
|-------------|------------------|------------------|-------------|-----------------|
| Designation | NLU11KK.1 | 220-240V/50Hz 1~ | Sales code: | 105H6132 |
|-------------|------------------|------------------|-------------|-----------------|

Compressor design

| | | | |
|----------------------------|---------------------------------|-----------------------|----------------------------------|
| Oil type | Mineral | Refrigerant(s) | R600a |
| Oil viscosity | 5cST | Displacement | 11,15cm ³ / 0,68cu.in |
| Oil quantity | 265cm ³ / 9fl.oz | Compressors on pallet | 80 |
| Refr. charge - tech. limit | 150g / 5,3oz | | |
| Free gas volume comp. | 2360cm ³ / 79,8fl.oz | | |
| Weight | 12,1kg / 26,7lbs | | |
| Motor protection | 1# internal | | |
| Winding resistance main | 19Ω (at 25°C) | | |
| Winding resistance aux | 24Ω (at 25°C) | | |
| Max. winding temp. | 105°C / 221°F | | |
| Max. discharge temp. | 125°C / 257°F | | |



General - Configurations with NLU11KK.1

| | |
|------------------------|----------------|
| | Conf. 1 |
| Motorconfiguration | RSCR |
| Power supply (nominal) | 220-240V/50Hz |
| Number of phases | 1 |
| Voltage range | 198-254V |
| Approvals | VDE |
| Starting torque | LST |
| Note | - / - |

Applications with NLU11KK.1

| | |
|-------------------------|----------------|
| | Conf. 1 |
| Refrigerant | R600a |
| Application | LBP |
| System cooling | static |
| Hot gas defrost | - / - |
| Long interval pull down | - / - |

Electrical data - Configurations with NLU11KK.1

| | |
|------------------------------|----------------|
| | Conf. 1 |
| Starting device type | PTC |
| Run capacitor | 2μF |
| Start capacitor | - / - |
| LRA (locked rotor amps / 4s) | 3,4A |
| RLA (rated load amps / 1s) | 0,6A |
| Cut in current | 6,2A |

Model

Designation

NLU11KK.1

220-240V/50Hz 1~

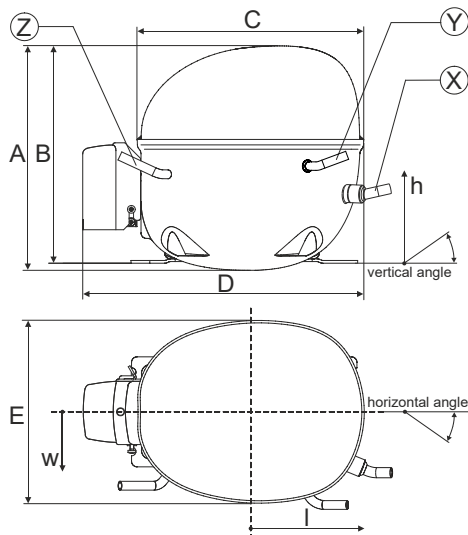
Sales code:

105H6132

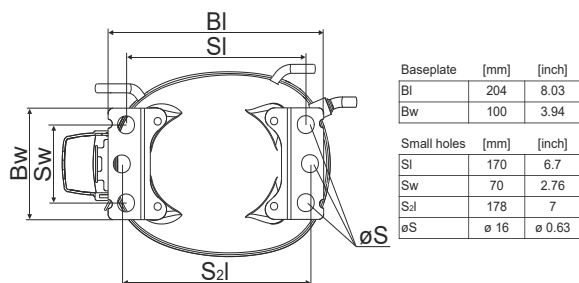
Compressor dimensions

| | | |
|----------------|-------------------|----------------|
| Housing | A Height | 203mm / 7,99in |
| | B Height | 197mm / 7,76in |
| | C Length shell | 205mm / 8,07in |
| | D Length w. cover | 254mm / 10in |
| | E Width | 166mm / 6,54in |

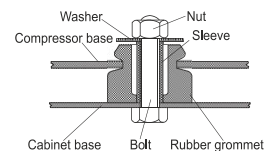
| Connectors | | Suction | Discharge | Process |
|------------------|----------------------------|--------------|--------------|--------------|
| | | X | Y | Z |
| Diameter | [mm] | øi 6,11-6,29 | øi 5,12-5,22 | øi 6,11-6,29 |
| | (i:inside, o:outside) [in] | øi 0,24-0,25 | øi 0,2-0,21 | øi 0,24-0,25 |
| Material | | copper | copper | copper |
| Horizontal angle | ±2° | 0° | 0° | 0° |
| Vertical angle | ±2° | 15° | 21° | 155° |
| Position l/h/w | [mm] | 133/71/57 | 91/103/81 | -107/94/72 |
| | [in] | 5,2/2,8/2,2 | 3,6/4/3,2 | -4,2/3,7/2,8 |
| Straight tube l. | [mm] | 12 | 12 | 12 |
| | [in] | 0,5 | 0,5 | 0,5 |



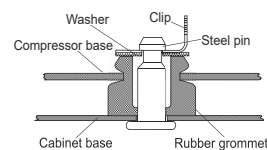
Compressor fixation



Bolt joint



Snap-on



Mounting accessories

| | one comp. | multi pack |
|----------------------------|-----------|------------|
| Bolt joint M6 ø16mm | 118-1917 | 118-1918 |
| Bolt joint ø1/4" ø16mm | 118-1946 | |
| Bolt joint ø1/4" ø19mm | 118-1949 | |
| Snap-on ø7,3 ø16mm | 118-1947 | 118-1919 |

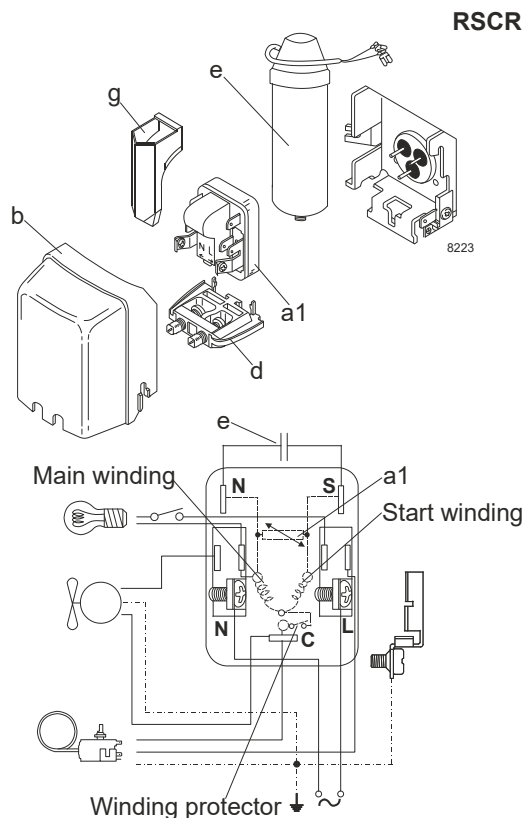
Model

| | | | | | |
|-------------|------------------|----------------------|---------|-------------|-----------------|
| Designation | NLU11KK.1 | 220-240V/50Hz | Conf. 1 | Sales code: | 105H6132 |
|-------------|------------------|----------------------|---------|-------------|-----------------|

Configuration

| | |
|------------------------|------------------|
| Motorconfiguration | RSCR |
| Power supply (nominal) | 220-240V/50Hz 1~ |
| Refrigerant | R600a |
| Application | LBP |
| Voltage range | 198-254V |
| Starting torque | LST |
| Approvals | VDE |

Electrical accessories / wiring diagram

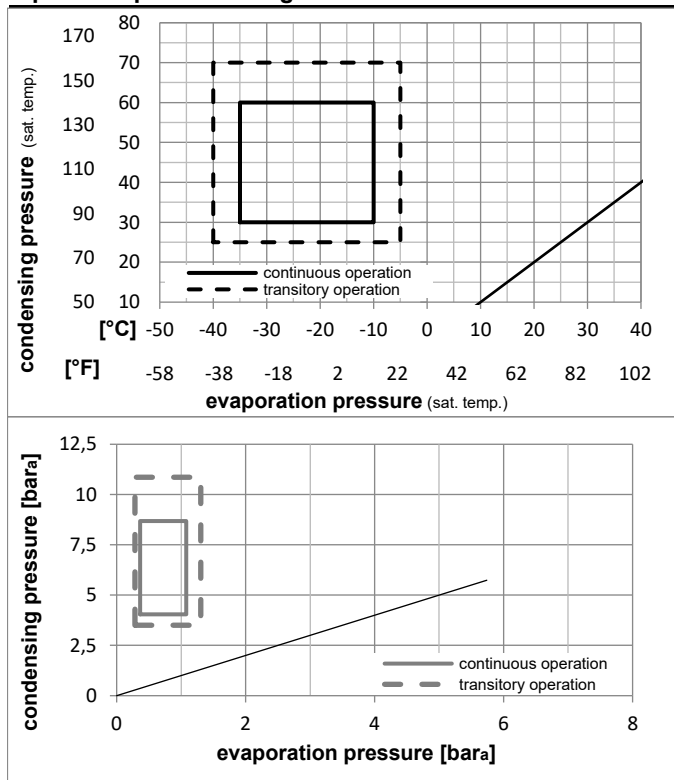


Ambient temperatures / system cooling

| | |
|---------------------------|--------------|
| Ambient temperature min.: | 10°C / 50°F |
| Ambient temperature max.: | 43°C / 110°F |

| System cooling (n/a: outside limits) | | | |
|--------------------------------------|--------|-----|-----|
| T ambient | LBP | MBP | HBP |
| 32°C / 90°F | static | n/a | n/a |
| 38°C / 100°F | static | n/a | n/a |
| 43°C / 110°F | static | n/a | n/a |

Operation pressure range



Components

| | | |
|----|------------------------------------|----------|
| a1 | e-PTC starter (220V, 380hm, 4.8mm) | 103N0055 |
| e | run capacitor (2.5μF, 4.8mm) | 117-7139 |
| b | plastic cover | 103N2010 |
| d | cord relief | 103N1010 |
| | bracket for run capacitor | 117-0300 |
| | screw M4x8mm | 117-0301 |

Alternative components

| | | |
|----|----------------------------------|----------|
| a1 | PTC starter (220V, 250hm, 4.8mm) | 103N0021 |
| e | run capacitor (2.5μF, 4.8mm) | 117-7139 |
| b | plastic cover | 103N2011 |
| d | cord relief | 103N1010 |
| g | protection screen for PTC | 103N0476 |
| | bracket for run capacitor | 117-0300 |
| | screw M4x8mm | 117-0301 |

Model

Designation **NLU11KK.1 220-240V/50Hz** Conf. 1 Sales code: **105H6132**

Optimization + standard conditions

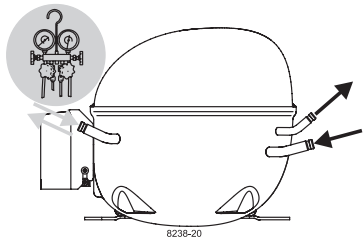
R600a, 220V/50Hz, RSCR, static, VDE

| | pe | pc | RGT | Tliq | Cooling capacity | | COP | EER | | P1 | I | Ref. mass flow | |
|---|------|------|------|------|------------------|----------|-----------|-----------|-----------|-------|------|----------------|-------------|
| | [°C] | [°C] | [°C] | [°C] | [W] | [Btu/h] | [W/W] | [Btu/Wh] | [kcal/Wh] | [W] | [A] | [kg/h] | |
| Evaporating pressure (saturation temperature) | -23 | 54 | 32 | 32 | 199,2 | 680 | 1,97 | 6,73 | 1,70 | 101,1 | 0,46 | 2,14 | ASHRAE LBP |
| Condensing pressure (saturation temperature) | -10 | 130 | 90 | 90 | | | | | | | | | |
| Return gas temp. | | | | | | | | | | | | | |
| Liquid temp. | | | | | | | | | | | | | |
| Power consumption | | | | | | | | | | | | | |
| Current consumption | | | | | | | | | | | | | |
| Ref. mass flow | | | | | | | | | | | | | |
| | [°F] | [°F] | [°F] | [°F] | [kcal/h] | [kcal/h] | [kcal/Wh] | [kcal/Wh] | [kcal/Wh] | [W] | [A] | [kg/h] | |
| | -10 | 130 | 90 | 90 | 199,2 | 680 | 1,97 | 6,73 | 1,70 | 101,1 | 0,46 | 2,14 | ASHRAE LBP |
| | | | | | | | | | | | | | |
| | [°C] | [°C] | [°C] | [°C] | [W] | [Btu/h] | [W/W] | [Btu/Wh] | [kcal/Wh] | [W] | [A] | [kg/h] | |
| | -25 | 55 | 32 | 55 | 149,3 | 510 | 1,55 | 5,29 | 1,33 | 96,3 | 0,43 | 1,95 | cecomaf LBP |
| | [°F] | [°F] | [°F] | [°F] | [kcal/h] | [kcal/h] | [kcal/Wh] | [kcal/Wh] | [kcal/Wh] | [W] | [A] | [kg/h] | |
| | -13 | 131 | 90 | 131 | 149,3 | 510 | 1,55 | 5,29 | 1,33 | 96,3 | 0,43 | 1,95 | cecomaf LBP |
| | | | | | | | | | | | | | |
| | [°C] | [°C] | [°C] | [°C] | [W] | [Btu/h] | [W/W] | [Btu/Wh] | [kcal/Wh] | [W] | [A] | [kg/h] | |
| | -35 | 40 | 20 | 40 | 104,9 | 358 | 1,59 | 5,42 | 1,36 | 66,1 | 0,30 | 1,28 | EN12900 LBP |
| | [°F] | [°F] | [°F] | [°F] | [kcal/h] | [kcal/h] | [kcal/Wh] | [kcal/Wh] | [kcal/Wh] | [W] | [A] | [kg/h] | |
| | -31 | 104 | 68 | 104 | 104,9 | 358 | 1,59 | 5,42 | 1,36 | 66,1 | 0,30 | 1,28 | EN12900 LBP |
| | | | | | | | | | | | | | |
| | [°C] | [°C] | [°C] | [°C] | [W] | [Btu/h] | [W/W] | [Btu/Wh] | [kcal/Wh] | [W] | [A] | [kg/h] | |
| | -23 | 49 | 4,4 | 49 | 162,9 | 556 | 1,66 | 5,68 | 1,43 | 97,9 | 0,44 | 2,38 | ARI540 LBP |
| | [°F] | [°F] | [°F] | [°F] | [kcal/h] | [kcal/h] | [kcal/Wh] | [kcal/Wh] | [kcal/Wh] | [W] | [A] | [kg/h] | |
| | -10 | 120 | 40 | 120 | 162,9 | 556 | 1,66 | 5,68 | 1,43 | 97,9 | 0,44 | 2,38 | ARI540 LBP |
| | | | | | | | | | | | | | |
| | [°C] | [°C] | [°C] | [°C] | [W] | [Btu/h] | [W/W] | [Btu/Wh] | [kcal/Wh] | [W] | [A] | [kg/h] | |
| | -23 | 41 | 32 | 32 | 215,3 | 735 | 2,32 | 7,92 | 1,99 | 92,9 | 0,42 | 2,31 | AHAM LBP |
| | [°F] | [°F] | [°F] | [°F] | [kcal/h] | [kcal/h] | [kcal/Wh] | [kcal/Wh] | [kcal/Wh] | [W] | [A] | [kg/h] | |
| | -10 | 105 | 90 | 90 | 215,3 | 735 | 2,32 | 7,92 | 1,99 | 92,9 | 0,42 | 2,31 | AHAM LBP |
| | | | | | | | | | | | | | |
| | [°C] | [°C] | [°C] | [°C] | [W] | [Btu/h] | [W/W] | [Btu/Wh] | [kcal/Wh] | [W] | [A] | [kg/h] | |
| | -35 | 45 | 32 | 45 | 99,7 | 341 | 1,49 | 5,09 | 1,28 | 66,8 | 0,30 | 1,18 | opt |
| | [°F] | [°F] | [°F] | [°F] | [kcal/h] | [kcal/h] | [kcal/Wh] | [kcal/Wh] | [kcal/Wh] | [W] | [A] | [kg/h] | |
| | -31 | 113 | 90 | 113 | 99,7 | 341 | 1,49 | 5,09 | 1,28 | 66,8 | 0,30 | 1,18 | opt |

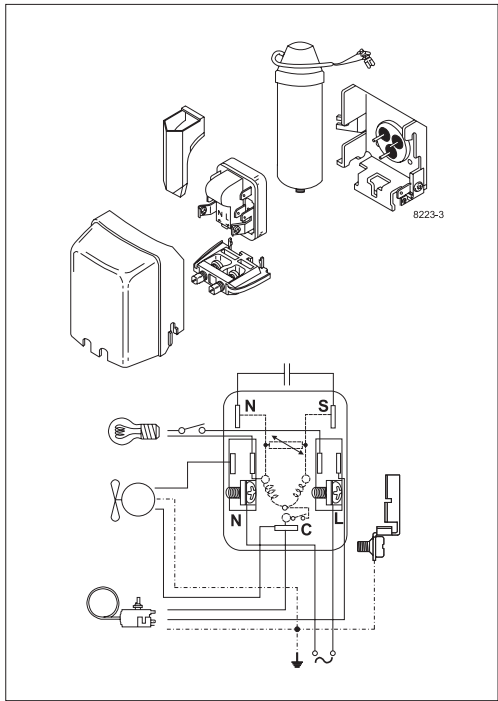
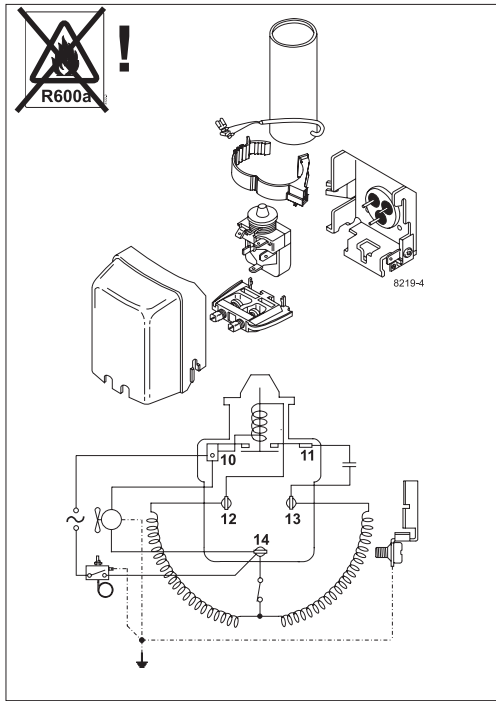
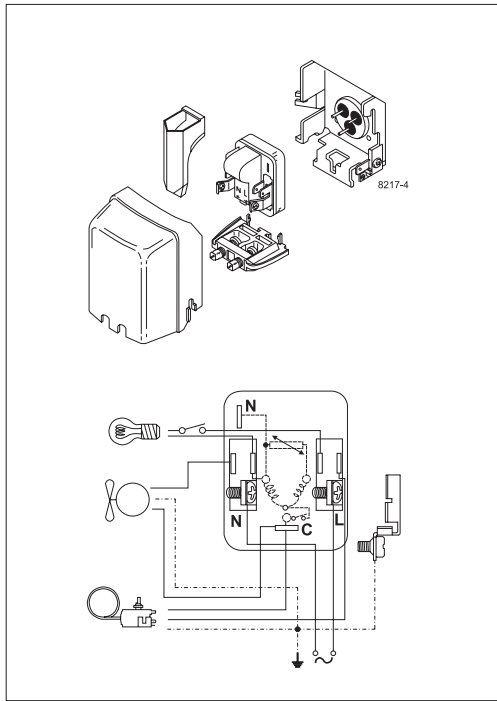
Performance tables

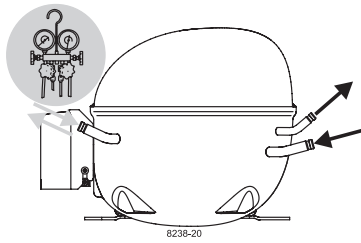
R600a, 220V/50Hz, RSCR, static, VDE

| | pe | Cooling capacity | | | COP | EER | P1 | I | m | | |
|------------------|------|------------------|-------|---------|----------|-------|----------|-----------|-------|------|--------|
| | [°C] | [°F] | [W] | [Btu/h] | [kcal/h] | [W/W] | [Btu/Wh] | [kcal/Wh] | [W] | [A] | [kg/h] |
| [°C / °F] | -35 | -31 | 99,7 | 341 | 85,8 | 1,49 | 5,09 | 1,28 | 66,8 | 0,30 | 1,18 |
| cond. pressure | -30 | -22 | 133,7 | 456 | 115,0 | 1,69 | 5,78 | 1,46 | 79,0 | 0,36 | 1,59 |
| pc= 45/113 | -25 | -13 | 174,6 | 596 | 150,3 | 1,91 | 6,53 | 1,65 | 91,3 | 0,41 | 2,08 |
| return gas temp. | -23 | -10 | 190,3 | 650 | 163,8 | 1,99 | 6,79 | 1,71 | 95,7 | 0,43 | 2,27 |
| RGT= 32/90 | -20 | -4 | 223,6 | 764 | 192,5 | 2,14 | 7,32 | 1,85 | 104,3 | 0,48 | 2,67 |
| liquid temp | -15 | 5 | 281,7 | 962 | 242,5 | 2,38 | 8,14 | 2,05 | 118,2 | 0,54 | 3,37 |
| Tliq= 45/113 | -10 | 14 | 350,0 | 1195 | 301,2 | 2,62 | 8,96 | 2,26 | 133,4 | 0,61 | 4,19 |
| [°C / °F] | -35 | -31 | 81,0 | 276 | 69,7 | 1,22 | 4,17 | 1,05 | 66,3 | 0,30 | 1,05 |
| cond. pressure | -30 | -22 | 112,0 | 382 | 96,4 | 1,38 | 4,70 | 1,18 | 81,3 | 0,37 | 1,46 |
| pc= 55/131 | -25 | -13 | 149,3 | 510 | 128,5 | 1,55 | 5,29 | 1,33 | 96,3 | 0,43 | 1,95 |
| return gas temp | -23 | -10 | 163,5 | 559 | 140,7 | 1,61 | 5,50 | 1,39 | 101,5 | 0,46 | 2,13 |
| RGT= 32/90 | -20 | -4 | 193,8 | 662 | 166,8 | 1,74 | 5,93 | 1,49 | 111,6 | 0,51 | 2,53 |
| liquid temp | -15 | 5 | 246,7 | 843 | 212,3 | 1,93 | 6,61 | 1,66 | 127,5 | 0,58 | 3,23 |
| Tliq= 55/131 | -10 | 14 | 309,0 | 1055 | 265,9 | 2,14 | 7,31 | 1,84 | 144,5 | 0,66 | 4,06 |

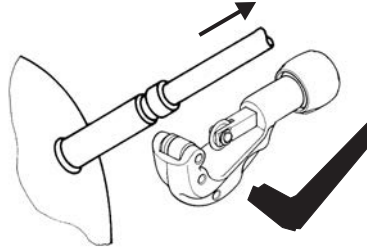
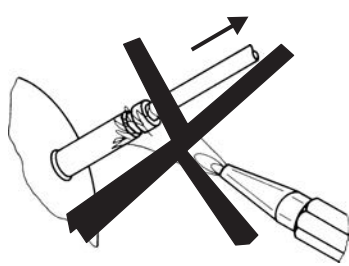


NL Compressors





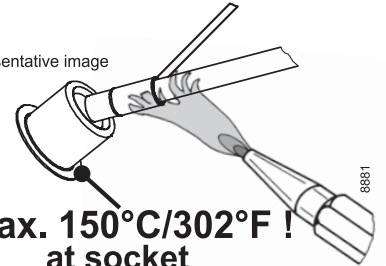
Service/Repair – R600a, R290



8545

Brazing on Suction Connectors (Direct Intake)

representative image



**! max. 150°C/302°F !
at socket**
brazing solder: phosphor (LP7) or silver

Refer to Product Bulletin:
**Brazing on Suction Connectors
(Compressors with Direct Suction Intake)**

Secop accepts no responsibility for possible errors in catalogs, brochures, and other printed material. Secop reserves the right to alter its products without notice. This also applies to products already on order provided that such alterations can be made without subsequential changes being necessary to specifications already agreed. All trademarks in this material are the property of the respective companies. Secop and the Secop logotype are trademarks of Secop GmbH. All rights reserved. www.secop.com