

Single Pack HKK55AA 220-240V 50Hz RSCR

Single pack code number: **195B4660**

Position	Title	Code	Amount
1	Compressor HKK55AA	16212700	1
2	Sleeve	10631600	4
3	Screw for cable clamp	10636000	1
4	Screw for cable clamp	10636200	1
5	Cover	10636401	1
6	Earth screw	10641201	1
7	Rubber grommet 16mm	11322600	4
8	Cable clamp	11341000	1
9	Terminal board 4.8mm	15166200	1

Secop GmbH • Lise-Meitner-Straße 29 • 24941 Flensburg, Germany • Tel: +49 461 4941 0 • www.secop.com

Secop accepts no responsibility for possible errors in catalogs, brochures, and other printed material. Secop reserves the right to alter its products without notice. This also applies to products already on order provided that such alterations can be made without subsequent changes being necessary to specifications already agreed. All trademarks in this material are the property of the respective companies. Secop and the Secop logotype are trademarks of Secop GmbH. All rights reserved.

Model

Designation	HKK55AA	220-240V/50Hz 1~	Sales code:	16212700
-------------	----------------	------------------	-------------	-----------------

Compressor design

Oil type	Mineral	Refrigerant(s)	R600a
Oil viscosity	5cST	Displacement	5,6cm ³ / 0,34cu.in
Oil quantity	162cm ³ / 5,5fl.oz	Compressors on pallet	100
Refr. charge - tech. limit	150g / 5,3oz		
Free gas volume comp.	1520cm ³ / 51,4fl.oz		
Weight	7,9kg / 17,4lbs		
Motor protection	external		
Winding resistance main	39,2Ω (at 25°C)		
Winding resistance aux	25Ω (at 25°C)		
Max. winding temp.	130°C / 266°F		
Max. discharge temp.	130°C / 266°F		



General - Configurations with HKK55AA

	Conf. 1
Motorconfiguration	RSCR
Power supply (nominal)	220-240V/50Hz
Number of phases	1
Voltage range	187-264V
Approvals	VDE
Starting torque	LST
Note	Various options of connectors are possible - please contact SECOP-Sales.

Applications with HKK55AA

	Conf. 1
Refrigerant	R600a
Application	LBP
System cooling	static
Hot gas defrost	-/-
Long interval pull down	-/-

Electrical data - Configurations with HKK55AA

	Conf. 1
Starting device type	PTC
Run capacitor	2,5μF
Start capacitor	-/-
LRA (locked rotor amps / 4s/ U(N))	
RLA (rated load amps / 1s/ U(N))	-/-A
Cut in current (U(N))	

Model

Designation

HKK55AA

220-240V/50Hz 1~

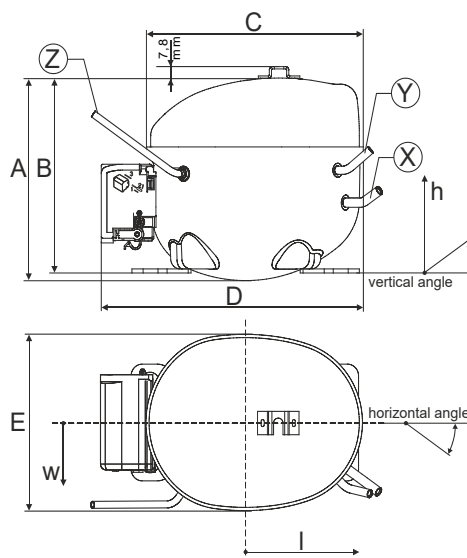
Sales code:

16212700

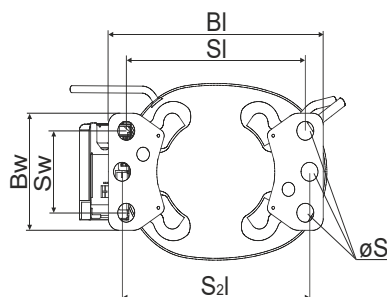
Compressor dimensions

Housing	A Height	166mm / 6,54in
	B Height	159mm / 6,26in
	C Length shell	194mm / 7,64in
	D Length w. cover	238mm / 9,37in
	E Width	151mm / 5,94in

Connectors		Suction	Discharge	Process
		X	Y	Z
Diameter	[mm]	øi 6,1-6,2	øi 5,1-5,2	øo 5,92-6,08
(i:inside, o:outside)	[in]	øi 0,24-0,24	øi 0,2-0,2	øo 0,23-0,24
Material		copper	copper	copper
Horizontal angle	±2°	45°	13°	0°
Vertical angle	±2°	30°	40°	145°
Position l/h/w	[mm]	120/72/62	112/106/62	-140/136/70
	[in]	4,7/2,8/2,4	4,4/4,2/2,4	-5,5/5,4/2,8
Straight tube l.	[mm]	14	14	75
	[in]	0,5	0,5	3

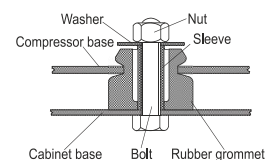


Compressor fixation

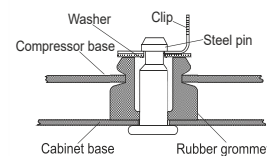


Baseplate	[mm]	[inch]
BI	204	8.03
BW	100	3.94
Small holes	[mm]	[inch]
SI	170	6.7
SW	70	2.76
S2l	178	7
øS	ø 16	ø 0.63

Bolt joint



Snap-on



Mounting accessories

'4ZN' with rubber grommet

'4ZN' with rubber grommet and sleeve for M6

Bolt joint kit

'4ZN' with Snap on kit

order code

772N

768N

4ZN + 118-1917 (18)

776N

Application notes

Provision for PE Grounding is located at the PE Stamp on the compressor

Housing with dip-tray fixture (omega bracket).

Model

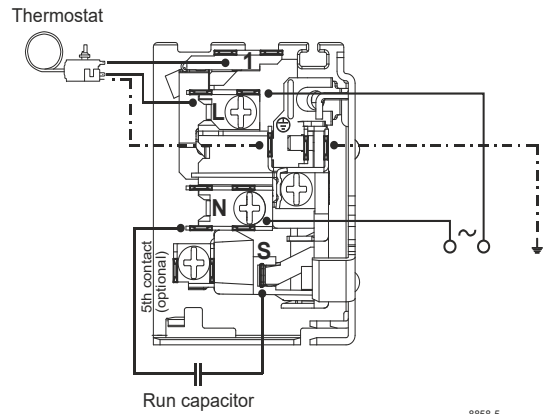
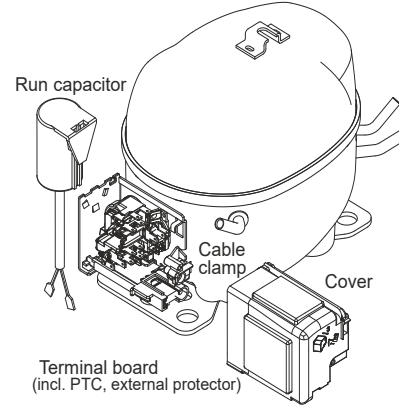
Designation	HKK55AA	220-240V/50Hz	Conf. 1	Sales code:	16212700
-------------	----------------	----------------------	---------	-------------	-----------------

Configuration

Motorconfiguration	RSCR
Power supply (nominal)	220-240V/50Hz 1~
Refrigerant	R600a
Application	LBP
Voltage range	187-264V
Starting torque	LST
Approvals	VDE

Electrical accessories / wiring diagram

RSCR



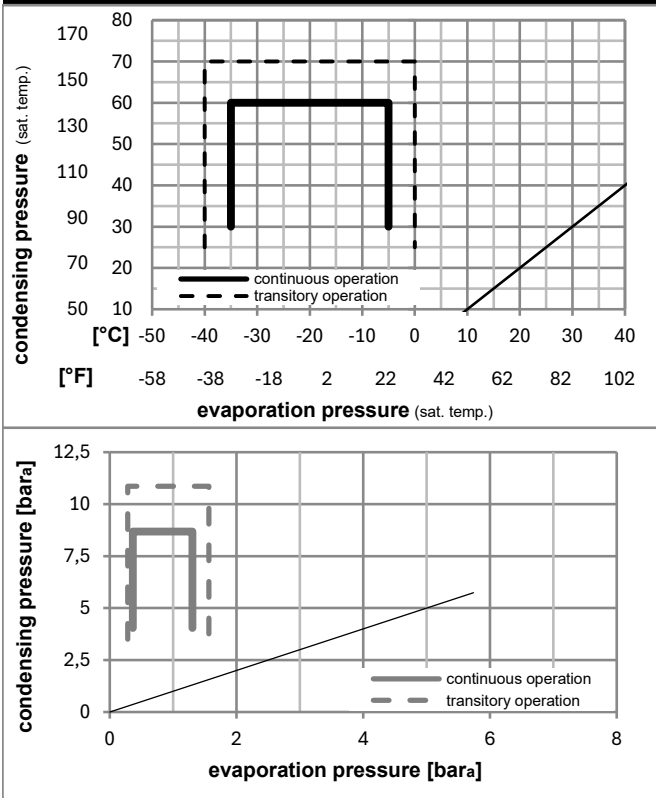
Ambient/ machine room temperatures minimum /maximum

Ambient temperature range: 10 - 43°C / 50 - 110°F

Machine room temperature range: 10 - 48°C / 50 - 119°F

Compressor cooling: static

Operation pressure range



Components

· terminal board (PTC, 4.8mm)	15166200
· run capacitor (2,5µF, 4.8mm)	10692802
b cover terminal board	10636401
· cable clamp	11341000

Alternative components

· screw - uni6954	10636000
· screw - uni6954	10636200
· screw uni en iso 4757	10641201

Model

Designation	HKK55AA	220-240V/50Hz	Conf. 1	Sales code:	16212700
-------------	----------------	----------------------	----------------	-------------	-----------------

Optimization + standard conditions

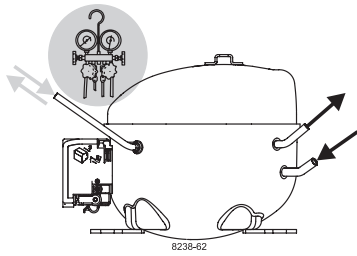
R600a, 220V/50Hz, RSCR, static, VDE

	Evaporating pressure (saturation temperature)				Cooling capacity			COP	EER	P1	Power consumption		Ref. mass flow	ASHRAE LBP
	pe	pc	RGT	Tliq	[W]	[Btu/h]	[kcal/h]				[W]	[A]		
[°C]	-23	54	32	32	92,7	317	79,8	1,71	5,85	1,47	54,2	0,23	1,00	
[°F]	-10	130	90	90										
[°C]	-25	55	32	55	68,5	234	59,0	1,33	4,54	1,14	51,6	0,23	0,89	cecomaf LBP
[°F]	-13	131	90	131										
[°C]	-35	40	20	40	43,9	150	37,8	1,22	4,17	1,05	36,0	0,20	0,53	EN12900 LBP
[°F]	-31	104	68	104										
[°C]	-23	49	4,4	49	76,2	260	65,5	1,44	4,93	1,24	52,7	0,23	1,11	ARI540 LBP
[°F]	-10	120	40	120										
[°C]	-23	41	32	32	102,0	348	87,7	1,99	6,79	1,71	51,3	0,23	1,09	AHAM LBP
[°F]	-10	105	90	90										
[°C]	-35	45	32	45	40,6	139	34,9	1,15	3,92	0,99	35,4	0,19	0,48	opt
[°F]	-31	113	90	113										

Performance tables

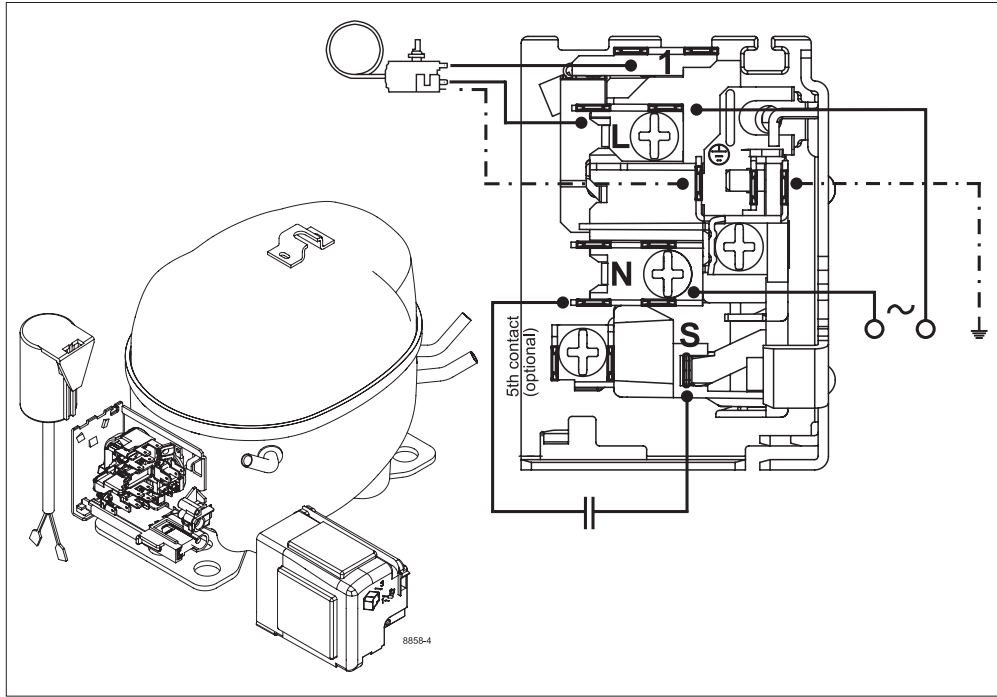
R600a, 220V/50Hz, RSCR, static, VDE

	pe		Cooling capacity			COP	EER		P1	I	m
	[°C]	[°F]	[W]	[Btu/h]	[kcal/h]		[Btu/Wh]	[kcal/Wh]			
[°C / °F]	-35	-31	40,6	139	34,9	1,15	3,92	0,99	35,4	0,19	0,48
cond. pressure	-30	-22	59,2	202	50,9	1,39	4,75	1,20	42,5	0,21	0,70
pc= 45/113	-25	-13	81,2	277	69,9	1,63	5,58	1,41	49,7	0,23	0,97
return gas temp.	-23	-10	89,5	305	77,0	1,72	5,86	1,48	52,1	0,23	1,07
RGT= 32/90	-20	-4	106,6	364	91,7	1,88	6,41	1,61	56,8	0,24	1,27
liquid temp	-15	5	135,4	462	116,5	2,12	7,23	1,82	64,0	0,26	1,62
Tliq= 45/113	-5	23	203,2	694	174,9	2,60	8,87	2,23	78,2	0,30	2,44
[°C / °F]	-35	-31	31,6	108	27,2	0,91	3,09	0,78	34,9	0,19	0,41
cond. pressure	-30	-22	48,3	165	41,6	1,12	3,82	0,96	43,2	0,21	0,63
pc= 55/131	-25	-13	68,5	234	59,0	1,33	4,54	1,14	51,6	0,23	0,89
return gas temp	-23	-10	76,1	260	65,5	1,40	4,78	1,20	54,4	0,24	0,99
RGT= 32/90	-20	-4	92,1	315	79,3	1,53	5,24	1,32	60,0	0,25	1,20
liquid temp	-15	5	119,1	407	102,5	1,74	5,93	1,50	68,6	0,27	1,56
Tliq= 55/131	-5	23	183,5	627	157,9	2,14	7,30	1,84	85,8	0,32	2,42

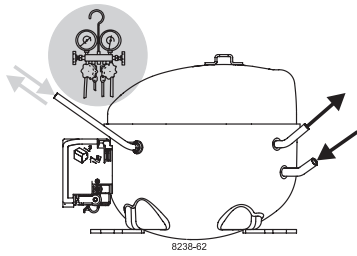


K-Series Compressors

GTK, HKK, HMK, HTK, HXK, HZK

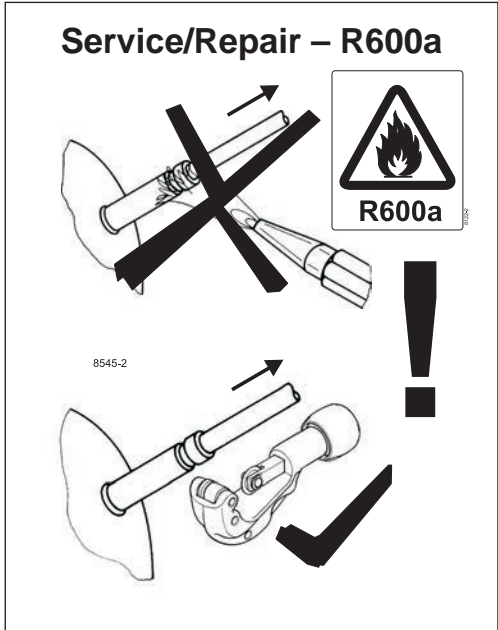
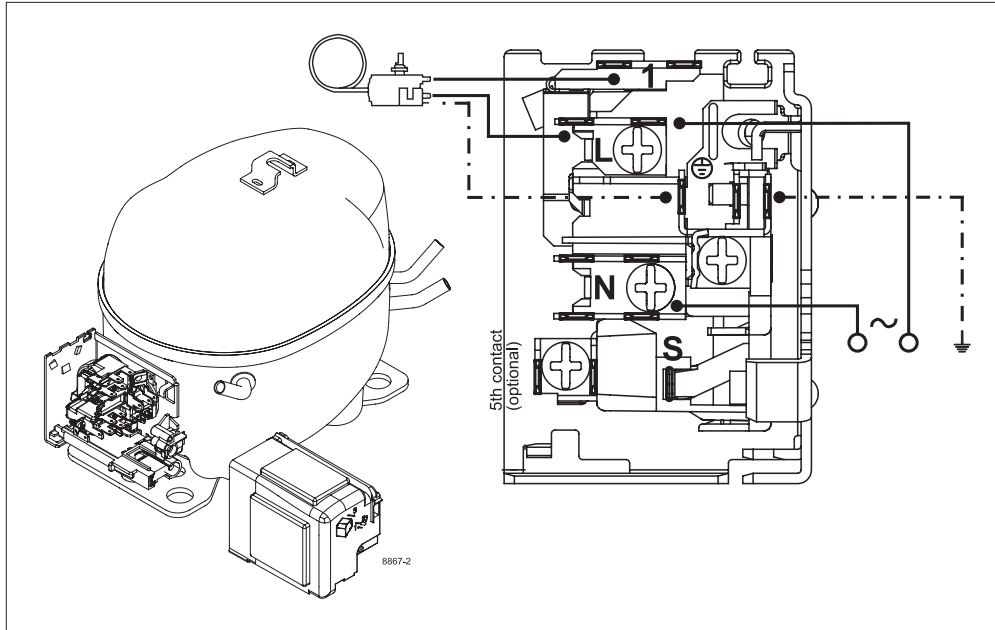


Service/Repair – R600a



K-Series Compressors

GTK, HKK, HMK, HTK, HXK, HZK



Secop accepts no responsibility for possible errors in catalogs, brochures, and other printed material. Secop reserves the right to alter its products without notice. This also applies to products already on order provided that such alterations can be made without subsequential changes being necessary to specifications already agreed. All trademarks in this material are the property of the respective companies. Secop and the Secop logotype are trademarks of Secop GmbH. All rights reserved. www.secop.com