

## Single Pack SLV15CNK 110-120V 50/60HZ PM

Single pack code number: **195B4748**

| Position | Title                                      | Code     | Amount |
|----------|--|----------|--------|
| 1        | Compressor SLV15CNK                        | 104H8578 | 1      |
| 2        | Electronic unit SLV                        | 105N4677 | 1      |
| 3        | Bolt joint for one compressor   M6   ø16mm | 118-1917 | 1      |

**Secop GmbH** • Lise-Meitner-Straße 29 • 24941 Flensburg, Germany • Tel: +49 461 4941 0 • [www.secop.com](http://www.secop.com)

---

Secop accepts no responsibility for possible errors in catalogs, brochures, and other printed material. Secop reserves the right to alter its products without notice. This also applies to products already on order provided that such alterations can be made without subsequent changes being necessary to specifications already agreed. All trademarks in this material are the property of the respective companies. Secop and the Secop logotype are trademarks of Secop GmbH. All rights reserved.

---

## SLV15CNK Variable Speed Drive Compressor R290

### 110-120V 50/60Hz

- with 105N467x Series Controllers



#### General

|                                       |                            |
|---------------------------------------|----------------------------|
| Code number (without electronic unit) | 104H8578                   |
| Electronic unit                       | 105N467x series controller |
| Approvals                             | ETL: UL 60335-2-34         |
| Compressors on pallet                 | 80                         |

#### Application

| Application                                    | LBP |            |            |  |
|--|-----|------------|------------|--|
| Frequency                                      | Hz  | 50         | 60         |  |
| Evaporating temperature                        | °C  | -40 to -10 | -40 to -10 |  |
| Voltage range                                  | V   | 95 - 135   | 95 - 135   |  |
| Max. condensing temperature continuous (short) | °C  | 55 (65)    | 55 (65)    |  |
| Max. winding temperature continuous (short)    | °C  | 125 (135)  | 125 (135)  |  |

#### Cooling requirements

| Frequency   | Hz | 50             |     |     | 60             |     |     |
|-------------|----|----------------|-----|-----|----------------|-----|-----|
| Application |    | LBP            | MBP | HBP | LBP            | MBP | HBP |
| 32°C        |    | F <sub>2</sub> | -   | -   | F <sub>2</sub> | -   | -   |
| 38°C        |    | F <sub>2</sub> | -   | -   | F <sub>2</sub> | -   | -   |
| 43°C        |    | F <sub>2</sub> | -   | -   | F <sub>2</sub> | -   | -   |

Remarks on application: LST only, airflow on compressor and electronic unit: 3m/s

#### Features

|             |     |                                       |
|-------------|-----|---------------------------------------|
| Speed range | rpm | 2000 - 4000                           |
| Thermostat  |     | - integrated<br>- electronic          |
| Protections |     | - current<br>- speed<br>- temperature |
| Remarks:    |     |                                       |

#### Motor

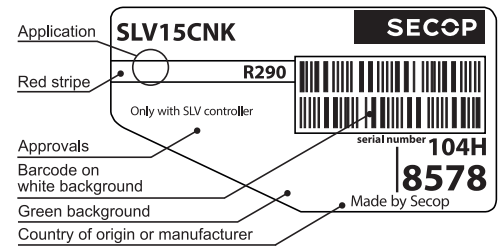
|                                   |   |                    |
|-----------------------------------|---|--------------------|
| Motor type                        |   | permanent magnet   |
| LRA (rated after 4 sec. UL984),   | A | electronic cut off |
| Maximum current                   | A | 4.6                |
| Resistance, all 3 windings (25°C) | Ω | 7.7                |

#### Design

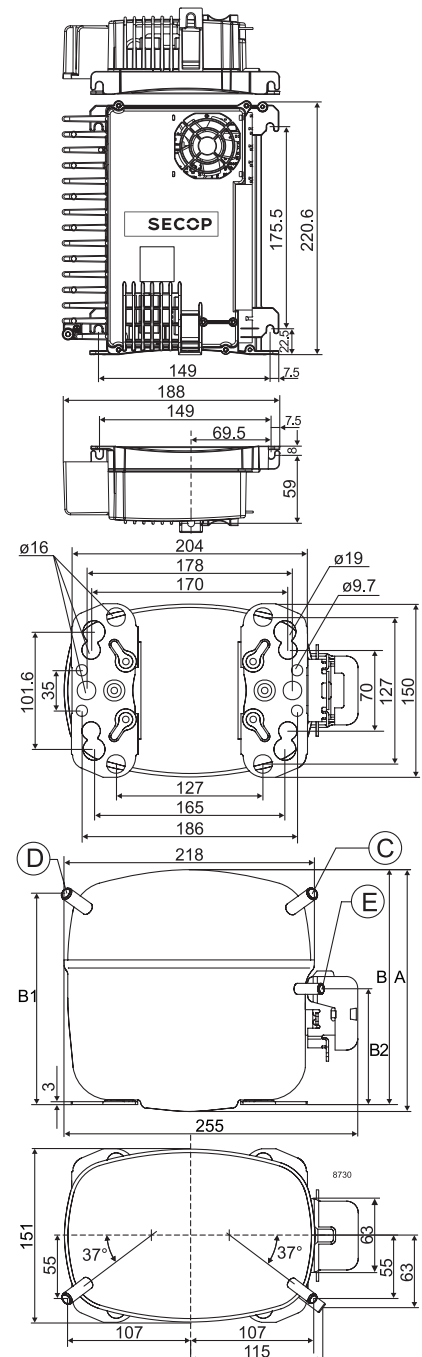
|                                     |                 |                   |
|-------------------------------------|-----------------|-------------------|
| Displacement                        | cm <sup>3</sup> | 15.28             |
| Oil quantity (type)                 | cm <sup>3</sup> | 600 (polyolester) |
| Maximum refrigerant charge          | g               | 150               |
| Free gas volume in compressor       | cm <sup>3</sup> | 1510              |
| Weight - Compressor/Electronic unit | kg              | 12.0/1.4          |

#### Dimensions

|                      |                          |    |                      |
|----------------------|--------------------------|----|----------------------|
| Height               | mm                       | A  | 199                  |
|                      |                          | B  | 193                  |
|                      |                          | B1 | 173                  |
|                      |                          | B2 | 90                   |
| Suction connector    | location/I.D. mm   angle | C  | 10.2   37°           |
|                      | material   seal          |    | Copper   Rubber plug |
| Process connector    | location/I.D. mm   angle | D  | 6.2   37°            |
|                      | material   seal          |    | Copper   Rubber plug |
| Discharge connector  | location/I.D. mm   angle | E  | 6.2   37°            |
|                      | material   seal          |    | Copper   Rubber plug |
| Oil cooler connector | location/I.D. mm   angle | F  | -                    |
|                      | material   seal          |    | -                    |
| Connector tolerance  | I.D. mm                  |    | ±0.09                |
| Remarks:             |                          |    |                      |



- S = Static cooling normally sufficient
- O = Oil cooling
- F<sub>1</sub> = Fan cooling 1.5 m/s (compressor compartment temp. equal to ambient temperature)
- F<sub>2</sub> = Fan cooling 3.0 m/s necessary
- SG = Suction gas cooling normally sufficient
- = not applicable in this area



**2,000 rpm EN 12900 Household (CECOMAF)\* 115V, 60Hz, fan cooling F<sub>2</sub>**

|                    |     |      |      |      |      |       |      |      |      |      |    |   |   |     |    |    |    |
|--------------------|-----|------|------|------|------|-------|------|------|------|------|----|---|---|-----|----|----|----|
| Evap. temp. in °C  | -45 | -40  | -35  | -30  | -25  | -23.3 | -20  | -15  | -10  | -6.7 | -5 | 0 | 5 | 7.2 | 10 | 15 | 20 |
| Capacity in W      |     | 175  | 236  | 311  | 402  | 437   | 510  | 638  | 786  |      |    |   |   |     |    |    |    |
| Power cons. in W   |     | 192  | 229  | 266  | 303  | 315   | 338  | 372  | 402  |      |    |   |   |     |    |    |    |
| Current cons. in A |     | 1.93 | 2.28 | 2.62 | 2.95 | 3.06  | 3.25 | 3.56 | 3.85 |      |    |   |   |     |    |    |    |
| COP in W/W         |     | 0.91 | 1.03 | 1.17 | 1.33 | 1.39  | 1.51 | 1.72 | 1.96 |      |    |   |   |     |    |    |    |

**2,500 rpm EN 12900 Household (CECOMAF)\* 115V, 60Hz, fan cooling F<sub>2</sub>**

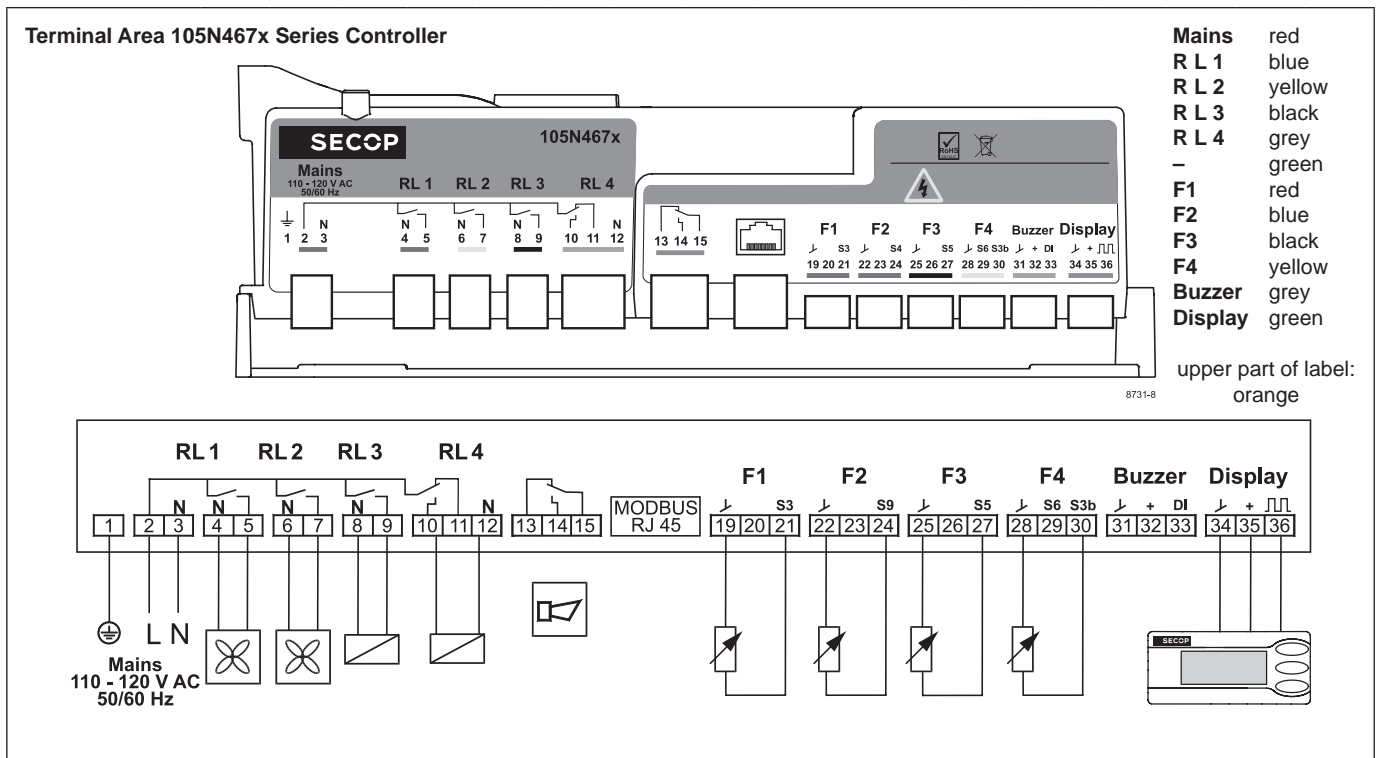
|                    |     |      |      |      |      |       |      |      |      |      |    |   |   |     |    |    |    |
|--------------------|-----|------|------|------|------|-------|------|------|------|------|----|---|---|-----|----|----|----|
| Evap. temp. in °C  | -45 | -40  | -35  | -30  | -25  | -23.3 | -20  | -15  | -10  | -6.7 | -5 | 0 | 5 | 7.2 | 10 | 15 | 20 |
| Capacity in W      |     | 218  | 297  | 393  | 509  | 553   | 645  | 805  | 990  |      |    |   |   |     |    |    |    |
| Power cons. in W   |     | 242  | 284  | 327  | 371  | 385   | 414  | 455  | 493  |      |    |   |   |     |    |    |    |
| Current cons. in A |     | 2.26 | 2.66 | 3.06 | 3.44 | 3.58  | 3.85 | 4.25 | 4.63 |      |    |   |   |     |    |    |    |
| COP in W/W         |     | 0.90 | 1.05 | 1.20 | 1.37 | 1.43  | 1.56 | 1.77 | 2.01 |      |    |   |   |     |    |    |    |

**3,000 rpm EN 12900 Household (CECOMAF)\* 115V, 60Hz, fan cooling F<sub>2</sub>**

|                    |     |      |      |      |      |       |      |      |      |      |    |   |   |     |    |    |    |
|--------------------|-----|------|------|------|------|-------|------|------|------|------|----|---|---|-----|----|----|----|
| Evap. temp. in °C  | -45 | -40  | -35  | -30  | -25  | -23.3 | -20  | -15  | -10  | -6.7 | -5 | 0 | 5 | 7.2 | 10 | 15 | 20 |
| Capacity in W      |     | 258  | 353  | 467  | 602  | 652   | 759  | 941  | 1151 |      |    |   |   |     |    |    |    |
| Power cons. in W   |     | 271  | 331  | 388  | 441  | 458   | 489  | 533  | 571  |      |    |   |   |     |    |    |    |
| Current cons. in A |     | 2.56 | 3.00 | 3.44 | 3.88 | 4.04  | 4.32 | 4.78 | 5.22 |      |    |   |   |     |    |    |    |
| COP in W/W         |     | 0.95 | 1.07 | 1.21 | 1.37 | 1.43  | 1.55 | 1.77 | 2.02 |      |    |   |   |     |    |    |    |

**4,000 rpm EN 12900 Household (CECOMAF)\* 115V, 60Hz, fan cooling F<sub>2</sub>**

|                    |     |      |      |      |      |       |      |      |      |      |    |   |   |     |    |    |    |
|--------------------|-----|------|------|------|------|-------|------|------|------|------|----|---|---|-----|----|----|----|
| Evap. temp. in °C  | -45 | -40  | -35  | -30  | -25  | -23.3 | -20  | -15  | -10  | -6.7 | -5 | 0 | 5 | 7.2 | 10 | 15 | 20 |
| Capacity in W      |     | 325  | 460  | 615  | 792  | 858   | 996  | 1228 | 1494 |      |    |   |   |     |    |    |    |
| Power cons. in W   |     | 355  | 436  | 512  | 583  | 607   | 650  | 713  | 771  |      |    |   |   |     |    |    |    |
| Current cons. in A |     | 3.21 | 3.86 | 4.51 | 5.13 | 5.32  | 5.72 | 6.27 | 6.81 |      |    |   |   |     |    |    |    |
| COP in W/W         |     | 0.92 | 1.06 | 1.20 | 1.36 | 1.42  | 1.53 | 1.72 | 1.94 |      |    |   |   |     |    |    |    |



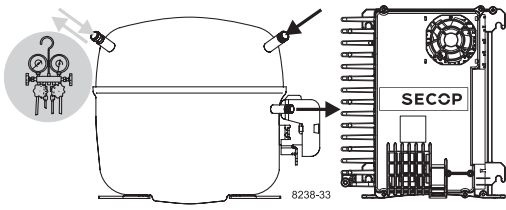
| Accessories for | SLV15CNK | Code number |
|-----------------|----------|-------------|
| Cover           |          | 103N2008    |

| Mounting accessories          |          | Code number |
|-------------------------------|----------|-------------|
| Bolt joint for one compressor | Ø: 16 mm | 118-1917    |
| Bolt joint in quantities      | Ø: 16 mm | 118-1918    |
| Snap-on in quantities         | Ø: 16 mm | 118-1919    |

| Test conditions         | EN 12900/CECOMAF* |
|-------------------------|-------------------|
| Condensing temperature  | 45°C              |
| Ambient temperature     | 32°C              |
| Suction gas temperature | 32°C              |
| Liquid temperature      | no subcooling     |

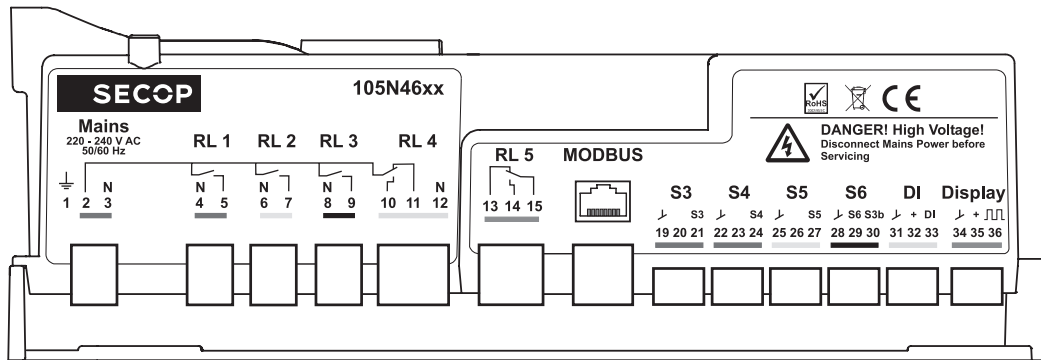
Secop accepts no responsibility for possible errors in catalogs, brochures, and other printed material. Secop reserves the right to alter its products without notice. This also applies to products already on order provided that such alterations can be made without consequential changes being necessary to specifications already agreed. All trademarks in this material are the property of the respective companies. Secop and the Secop logotype are trademarks of Secop GmbH. All rights reserved. [www.secop.com](http://www.secop.com)



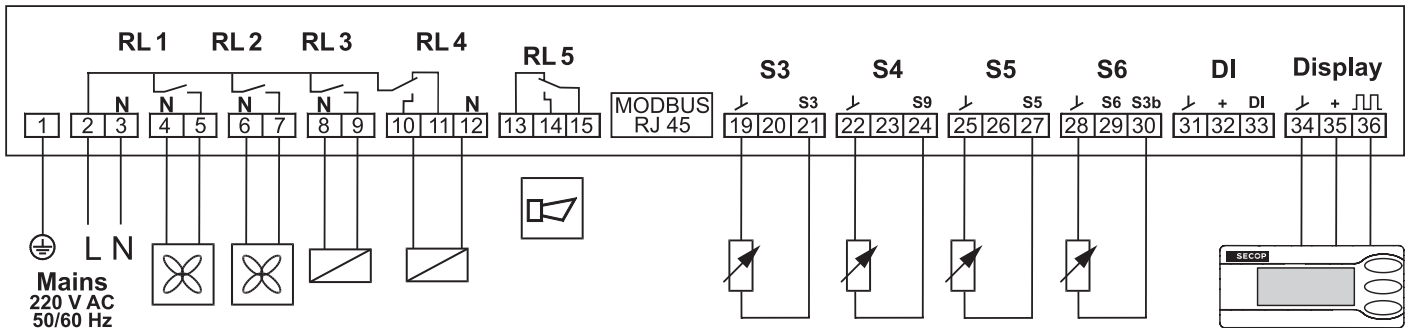
# Instructions

SLV Compressors  
220-240V 50/60Hz  
105N46xx  
Series Controllers

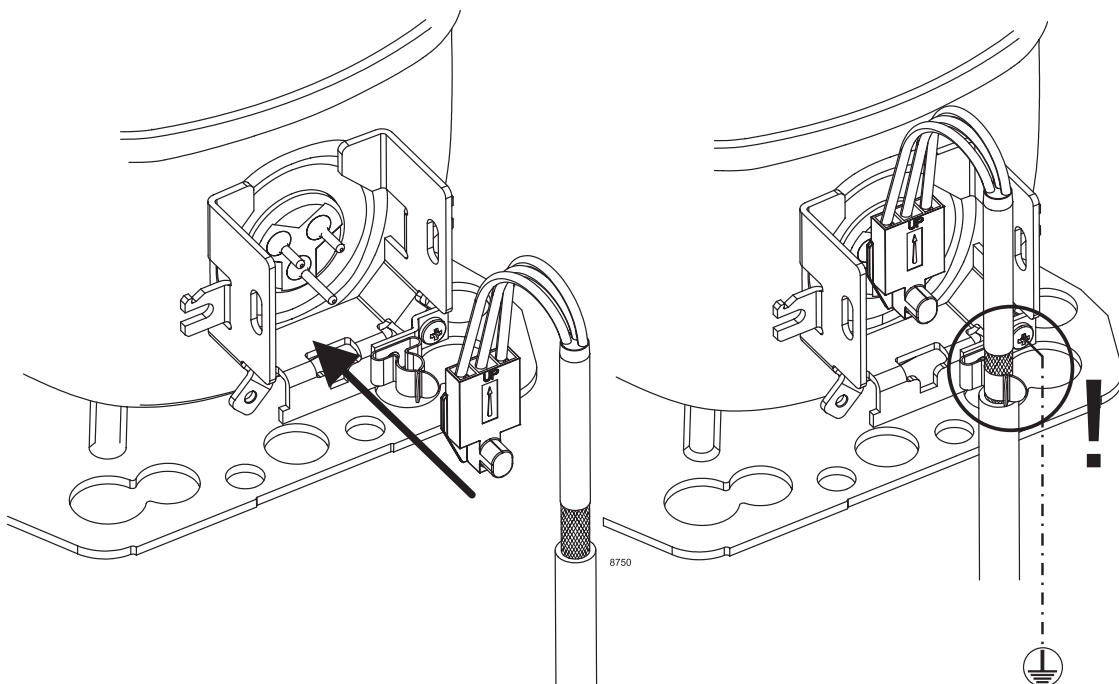
# SECCP



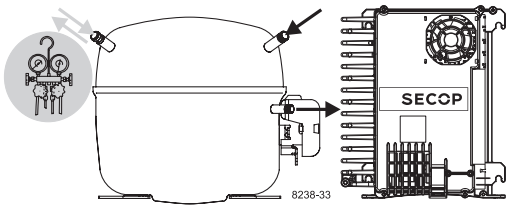
8731-3



|              |        |                |        |
|--------------|--------|----------------|--------|
| <b>Mains</b> | red    | <b>S3</b>      | red    |
| <b>RL 1</b>  | blue   | <b>S4</b>      | blue   |
| <b>RL 2</b>  | yellow | <b>S5</b>      | yellow |
| <b>RL 3</b>  | black  | <b>S6</b>      | black  |
| <b>RL 4</b>  | grey   | <b>DI</b>      | grey   |
| <b>RL 5</b>  | green  | <b>Display</b> | green  |



8750



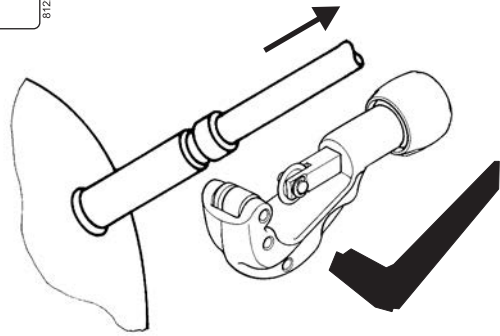
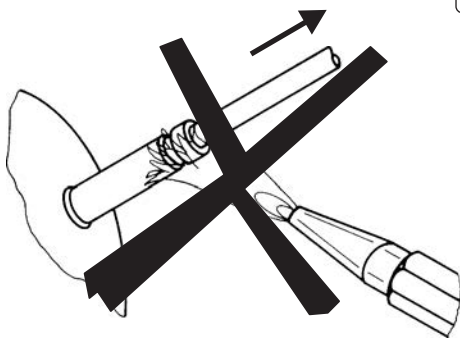
# Instructions

SLV Compressors  
220-240V 50/60Hz  
105N46xx  
Series Controllers

# SECCP

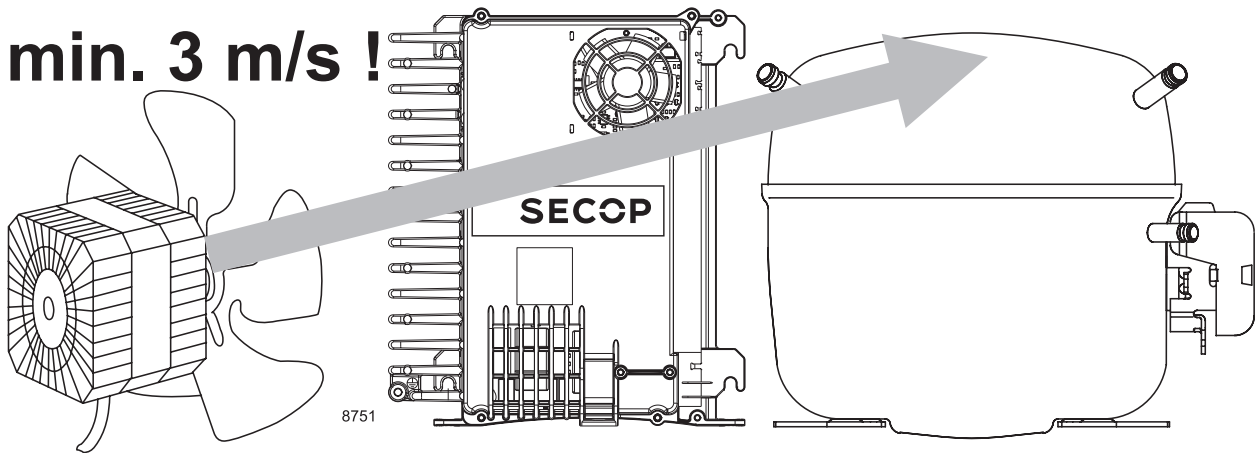


## Service/Repair – R290



8545

**min. 3 m/s !**



|                                      |   |
|--------------------------------------|---|
| <b>Airflow</b>                       | 3 m/s   |
| <b>Operating conditions</b>          | -10 °C to 43 °C - humidity < 90 % rH non condensing |
| <b>Operating conditions 105N4630</b> | + 5 °C to 43 °C - humidity < 90 % rH non condensing |
| <b>Storage conditions</b>            | -20 °C to 70 °C - humidity < 90 % rH non condensing |
| <b>Supply voltage</b>                | 230 V (+15 % / - 20 %)                              |
| <b>Frequency</b>                     | 50/60 Hz  |
| <b>Input power rating</b>            | 1000 W at 230 V (+15 % / - 20 %)                    |

Secop accepts no responsibility for possible errors in catalogs, brochures, and other printed material. Secop reserves the right to alter its products without notice. This also applies to products already on order provided that such alterations can be made without subsequent changes being necessary to specifications already agreed. All trademarks in this material are the property of the respective companies. Secop and the Secop logotype are trademarks of Secop GmbH. All rights reserved. [www.secop.com](http://www.secop.com)