

## Single Pack KLE4.0GFTX 220-240V 50Hz / 208-230V 60Hz CSIR

Single pack code number: **195B4758**

Position	Title	Code	Amount
1	Compressor KLE4.0GFTX	106G5403	1
2	Starting capacitor (80 $\mu$ F 220V, 6.3mm)	117U5001	1
3	Starting relay (QLZ-4.6A, overload protector T1189/L6)	117U7073	1
4	KL accessories	103N1060	1
5	Bolt joint for one compressor   M6   $\varnothing$ 16mm	118-1917	1

Secop GmbH • Lise-Meitner-Straße 29 • 24941 Flensburg, Germany • Tel: +49 461 4941 0 • [www.secop.com](http://www.secop.com)

Secop accepts no responsibility for possible errors in catalogs, brochures, and other printed material. Secop reserves the right to alter its products without notice. This also applies to products already on order provided that such alterations can be made without subsequent changes being necessary to specifications already agreed. All trademarks in this material are the property of the respective companies. Secop and the Secop logotype are trademarks of Secop GmbH. All rights reserved.

## Model

Designation	<b>KLE4.0GFTX</b>	220-240V/50Hz 1~ 208-230V/60Hz 1~	Sales code:	<b>106G5403</b>
-------------	-------------------	-----------------------------------	-------------	-----------------

## Compressor design

Oil type	Polyolester	Refrigerant(s)	<b>R134a, R513A</b>
Oil viscosity	19,2cSt	Displacement	4cm <sup>3</sup> / 0,24cu.in
Oil quantity	240cm <sup>3</sup> / 8,1fl.oz	Compressors on pallet	100
Refr. charge - tech. limit	250g / 8,8oz		
Free gas volume comp.	1560cm <sup>3</sup> / 52,7fl.oz		
Weight	8,9kg / 19,6lbs		
Motor protection	external		
Winding resistance main	13,1Ω (at 25°C)		
Winding resistance aux	25,3Ω (at 25°C)		
Max. winding temp.	125°C / 257°F		
Max. discharge temp.	130°C / 266°F		
Additional note	Good robustness against liquid intake. Ice-cube maker optimization - indirect suction intake.		



## General - Configurations with KLE4.0GFTX

	<b>Conf. 1</b>	<b>Conf. 2</b>
Motorconfiguration	CSIR	CSIR
Power supply (nominal)	220-240V/50Hz	208-230V/60Hz
Number of phases	1	1
Voltage range	187-254V	198-253V
Approvals	VDE, (UL,CB) in progress	VDE, (UL,CB) in progress
Starting torque	HST	HST
Note	- / -	

## Applications with KLE4.0GFTX

	<b>Conf. 1</b>	<b>Conf. 2</b>
Refrigerant	R134a	R134a
Application	LBP+MBP+HBP	LBP+MBP
System cooling	static	static
Hot gas defrost	OK	OK
Long interval pull down	OK	OK

## Electrical data - Configurations with KLE4.0GFTX

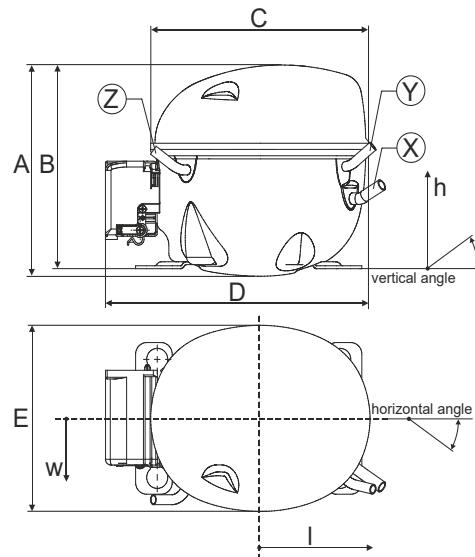
	<b>Conf. 1</b>	<b>Conf. 2</b>
Starting device type	relay	relay
Run capacitor	-/-	-/-
Start capacitor	80μF	80μF
LRA (locked rotor amps / 4s/ U(N))	10,2A	
RLA (rated load amps / 1s/ U(N))	1,4A	
Cut in current (U(N))	10,2A	

## Model

Designation	<b>KLE4.0GFTX</b>	220-240V/50Hz 1~ 208-230V/60Hz 1~	Sales code:	<b>106G5403</b>
-------------	-------------------	-----------------------------------	-------------	-----------------

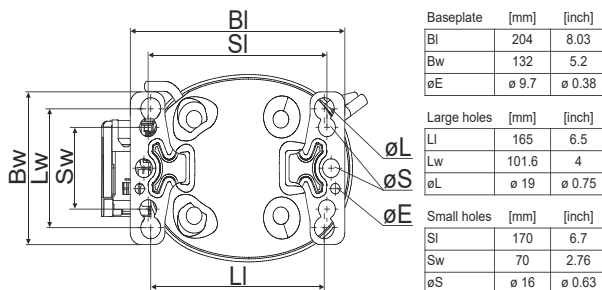
## Compressor dimensions

<b>Housing</b>	A Height	182mm / 7,17in
	B Height	175mm / 6,89in
	C Length shell	198mm / 7,8in
	D Length w. cover	238mm / 9,37in
	E Width	160mm / 6,3in

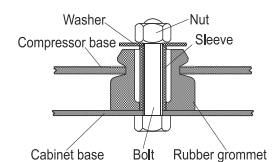


Connectors		Suction	Discharge	Process
		X	Y	Z
Diameter	[mm]	øi 6,16-6,24	øi 5,1-5,2	øi 6,11-6,29
	(i:inside, o:outside) [in]	øi 0,24-0,25	øi 0,2-0,2	øi 0,24-0,25
Material		copper	copper	copper
Horizontal angle	±2°	35°	13°	0°
Vertical angle	±2°	30°	40°	145°
Position l/h/w	[mm]	119/73/59	117/107/66	-88/101/71
	[in]	4,7/2,9/2,3	4,6/4,2/2,6	-3,5/4/2,8
Straight tube l.	[mm]	14	14	14
	[in]	0,5	0,5	0,5

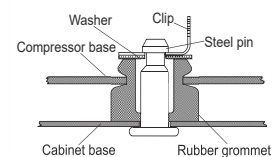
## Compressor fixation



### Bolt joint



### Snap-on



Mounting accessories	one comp.	multi pack
Bolt joint   M6   ø16mm	118-1917	118-1918
Bolt joint   ø1/4"   ø16mm	118-1946	
Bolt joint   ø1/4"   ø19mm	118-1949	
Snap-on   ø7,3   ø16mm	118-1947	118-1919

## Application notes

Provision for PE Grounding is located at the PE Stamp on the compressor

Suctiongas connector and Process connector can be switched (minor loss of cooling capacity)

## Model

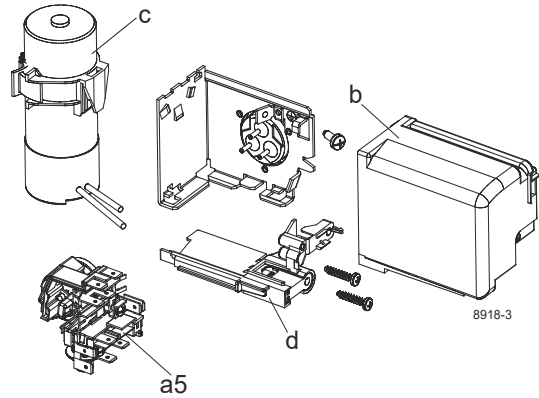
Designation	<b>KLE4.0GFTX</b>	<b>220-240V/50Hz</b>	<b>Conf. 1</b>	Sales code:	<b>106G5403</b>
-------------	-------------------	----------------------	----------------	-------------	-----------------

## Configuration

Motorconfiguration	CSIR
Power supply (nominal)	220-240V/50Hz 1~
Refrigerant	R134a
Application	LBP+MBP+HBP
Voltage range	187-254V
Starting torque	HST
Approvals	VDE (UL,CB) in progress

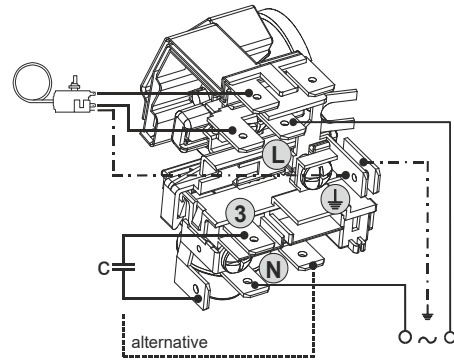
## Electrical accessories / wiring diagram

**CSIR**

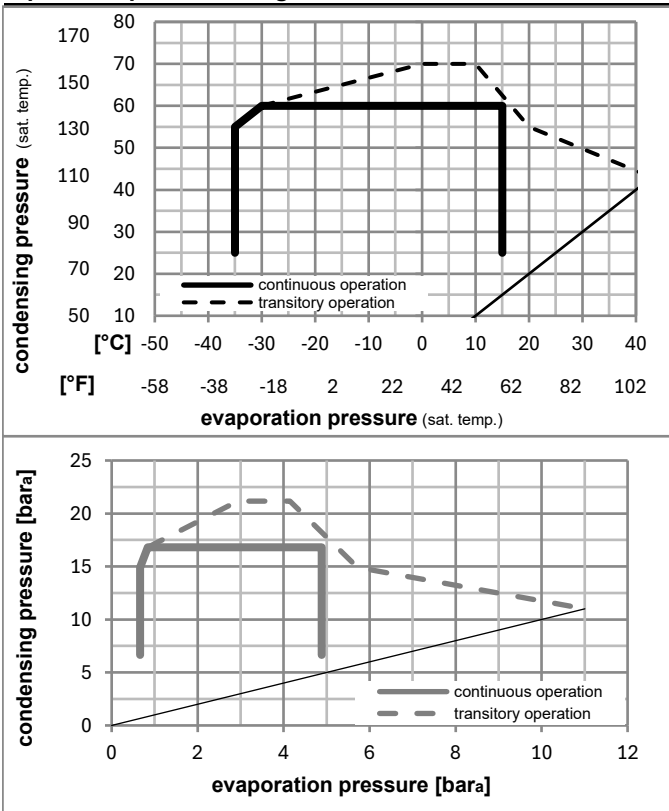


## Ambient/ machine room temperatures minimum /maximum

Ambient temperature range:	10 - 43°C / 50 - 110°F
Machine room temperature range:	10 - 48°C / 50 - 119°F
Compressor cooling:	static



## Operation pressure range



## Components

a5	current relay (T1189/L6-S3)	117U7073
c	start capacitor (80µF, 6.3mm)	117U5001
b, d	cover + clamp + screws(5VA) in bag	103N1060

## Alternative components

b, d	100x cover + clamp + screws(5VA)	103N2060
b, d	cover + clamp + screws(5VA-compl.)	103N0600

### Model

Designation **KLE4.0GFTX** **220-240V/50Hz** Conf. 1 Sales code: **106G5403**

### Optimization + standard conditions

R134a, 220V/50Hz, CSIR, static, VDE, (UL,CB) in progress

	Evaporating pressure (saturation temperature)				Condensing pressure (saturation temperature)			Return gas temp.	Liquid temp.	Cooling capacity	COP	EER	Power consumption			Ref. mass flow
	pe	pc	RGT	Tliq	[W]	[Btu/h]	[kcal/h]						P1	I	m	
[°C]																
[°F]																
	-23	54	32	32	101,4	346	87,3	1,14	3,90	0,98	88,8	1,15	1,97	ASHRAE LBP		
	-10	130	90	90												
	-7	54	35	46	221,7	757	190,8	1,77	6,03	1,52	125,5	1,23	4,84	ASHRAE MBP		
	20	130	95	115												
	7,2	54	35	46	398,3	1360	342,8	2,58	8,81	2,22	154,4	1,31	8,84	ASHRAE HBP		
	45	130	95	115												
	-35	40	20	40	46,0	157	39,6	0,72	2,47	0,62	63,5	1,10	1,01	EN12900 LBP		
	-31	104	68	104												
	-10	45	20	45	191,3	653	164,6	1,74	5,93	1,49	110,1	1,20	4,48	EN12900 MBP		
	14	113	68	113												
	5	50	20	50	339,4	1159	292,1	2,36	8,07	2,03	143,6	1,28	8,55	EN12900 HBP		
	41	122	68	122												

### Performance tables

R134a, 220V/50Hz, CSIR, static, VDE, (UL,CB) in progress

	pe		Cooling capacity			COP	EER		P1	I	m
	[°C]	[°F]	[W]	[Btu/h]	[kcal/h]	[W/W]	[Btu/Wh]	[kcal/Wh]	[W]	[A]	[kg/h]
[°C / °F]	-35	-31	43,4	148	37,4	0,69	2,34	0,59	63,3	1,10	0,94
cond. pressure	-25	-13	86,8	296	74,7	1,05	3,57	0,90	82,9	1,14	1,88
pc= 45/113	-15	5	154,2	527	132,7	1,52	5,20	1,31	101,2	1,18	3,36
return gas temp.	-10	14	198,5	678	170,8	1,80	6,15	1,55	110,1	1,20	4,34
RGT= 32/90	0	32	310,9	1062	267,6	2,43	8,31	2,09	127,7	1,24	6,88
liquid temp	5	41	380,4	1299	327,4	2,78	9,51	2,40	136,6	1,26	8,47
Tliq= 45/113	15	59	548,6	1874	472,1	3,54	12,09	3,05	154,9	1,31	12,43
[°C / °F]	-35	-31	35,4	121	30,5	0,59	2,01	0,51	60,0	1,10	0,84
cond. pressure	-25	-13	73,8	252	63,5	0,87	2,97	0,75	84,9	1,15	1,76
pc= 55/131	-15	5	132,4	452	114,0	1,23	4,19	1,06	107,8	1,19	3,19
return gas temp	-10	14	170,8	583	147,0	1,44	4,91	1,24	118,8	1,22	4,13
RGT= 32/90	0	32	268,7	918	231,3	1,92	6,55	1,65	140,0	1,27	6,57
liquid temp	5	41	329,4	1125	283,5	2,19	7,48	1,88	150,5	1,30	8,12
Tliq= 55/131	15	59	477,3	1630	410,8	2,78	9,50	2,40	171,5	1,36	11,99

## Model

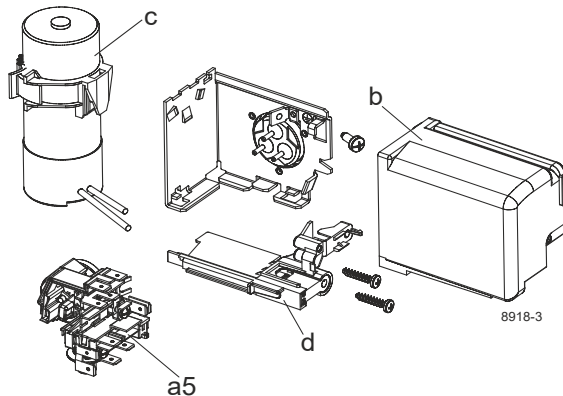
Designation	<b>KLE4.0GFTX</b>	<b>208-230V/60Hz</b>	<b>Conf. 2</b>	Sales code:	<b>106G5403</b>
-------------	-------------------	----------------------	----------------	-------------	-----------------

## Configuration

Motorconfiguration	CSIR
Power supply (nominal)	208-230V/60Hz 1~
Refrigerant	R134a
Application	LBP+MBP
Voltage range	198-253V
Starting torque	HST
Approvals	VDE
	(UL,CB) in progress

## Electrical accessories / wiring diagram

CSIR

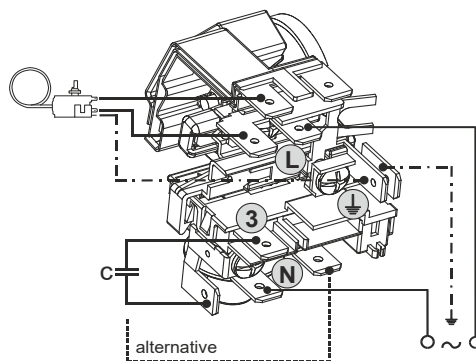


## Ambient/ machine room temperatures minimum /maximum

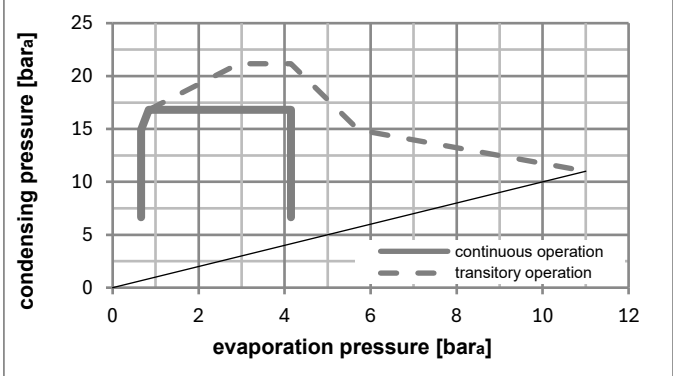
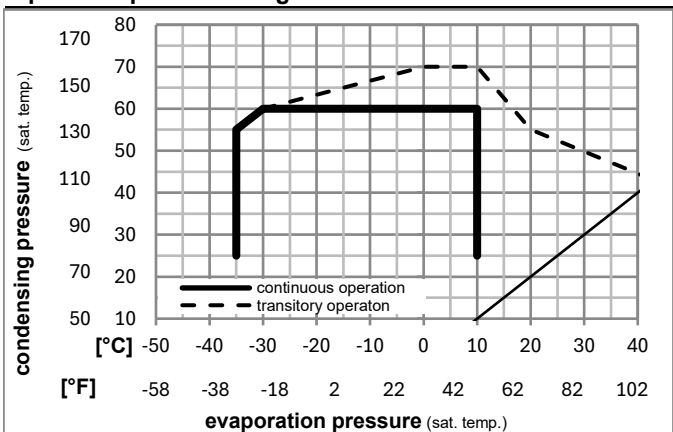
Ambient temperature range: 10 - 43°C / 50 - 110°F

Machine room temperature range: 10 - 48°C / 50 - 119°F

Compressor cooling: static



## Operation pressure range



## Components

a5	current relay (T1189/L6-S3)	117U7073
c	start capacitor (80µF, 6.3mm)	117U5001
b, d	cover + clamp + screws(5VA) in bag	103N1060

## Alternative components

b, d	100x cover + clamp + screws(5VA)	103N2060
b, d	cover + clamp + screws(5VA-compl.)	103N0600

### Model

Designation **KLE4.0GFTX** **208-230V/60Hz** Conf. 2 Sales code: **106G5403**

### Optimization + standard conditions

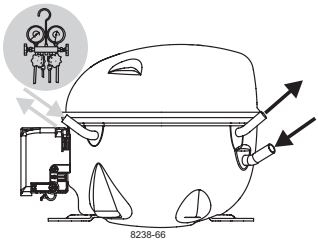
R134a, 230V/60Hz, CSIR, static, VDE, (UL,CB) in progress

	Evaporating pressure (saturation temperature)				Condensing pressure (saturation temperature)			Return gas temp.	Liquid temp.	Cooling capacity	COP	EER	Power consumption			Ref. mass flow
	pe	pc	RGT	Tliq	[W]	[Btu/h]	[kcal/h]						P1	I	m	
[°C]																
[°F]																
	-23	54	32	32	122,9	420	105,8	1,20	4,10	1,03	102,4	1,10	2,39	ASHRAE LBP		
	-10	130	90	90												
	-7	54	35	46	261,5	893	225,1	1,81	6,20	1,56	144,1	1,19	5,71	ASHRAE MBP		
	20	130	95	115												
	7,2	54	35	46	465,1	1589	400,3	2,58	8,82	2,22	180,1	1,28	10,32	ASHRAE HBP		
	45	130	95	115												
	-35	40	20	40	55,1	188	47,4	0,76	2,59	0,65	72,7	1,06	1,21	EN12900 LBP		
	-31	104	68	104												
	-10	45	20	45	224,4	767	193,2	1,76	6,00	1,51	127,8	1,15	5,25	EN12900 MBP		
	14	113	68	113												
	5	50	20	50	395,7	1351	340,6	2,34	7,98	2,01	169,3	1,25	9,97	EN12900 HBP		
	41	122	68	122												

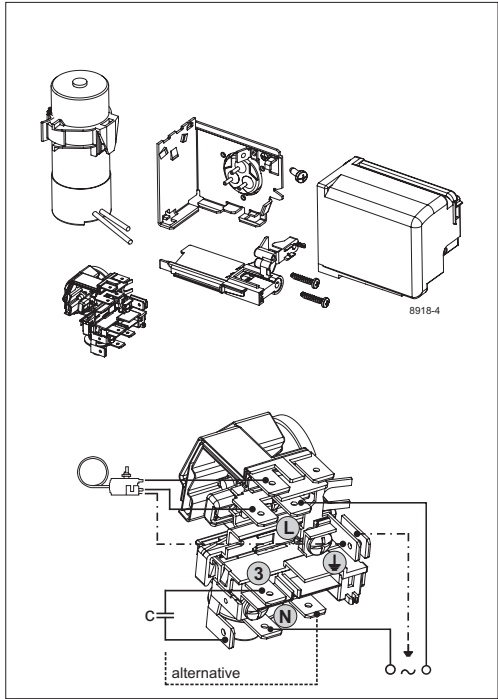
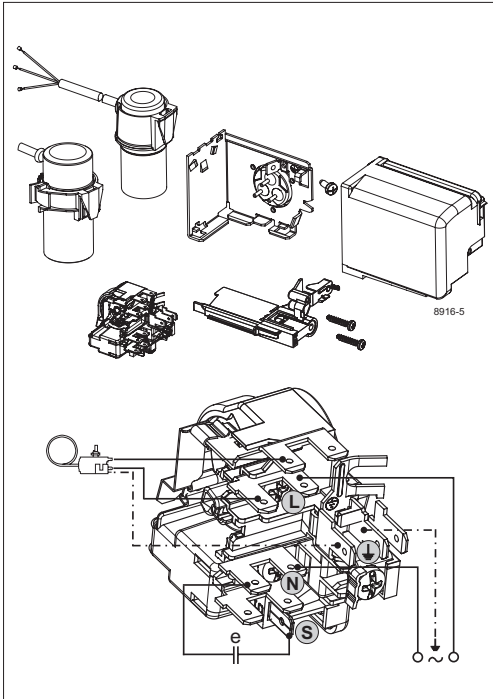
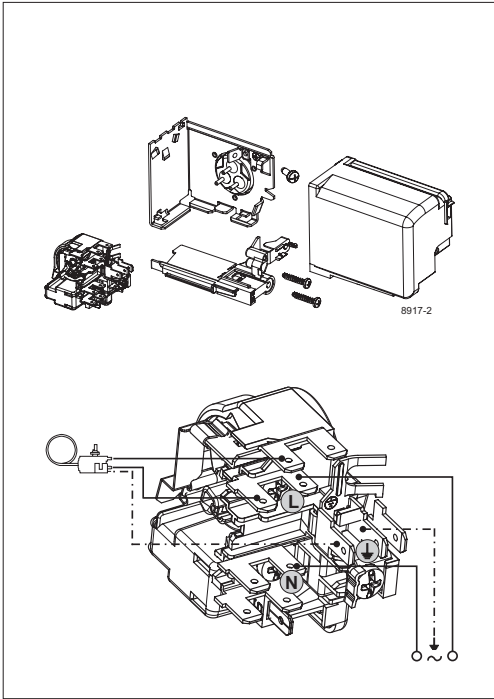
### Performance tables

R134a, 230V/60Hz, CSIR, static, VDE, (UL,CB) in progress

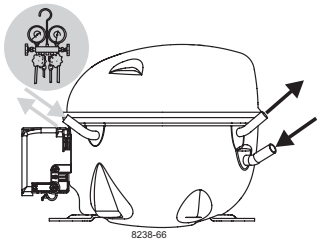
	pe		Cooling capacity			COP	EER	P1	I	m	
	[°C]	[°F]	[W]	[Btu/h]	[kcal/h]	[W/W]	[Btu/Wh]	[kcal/Wh]	[W]	[A]	[kg/h]
[°C / °F]	-35	-31	50,9	174	43,8	0,71	2,42	0,61	71,8	1,06	1,10
cond. pressure	-25	-13	104,5	357	90,0	1,10	3,77	0,95	94,7	1,09	2,26
pc= 45/113	-15	5	182,4	623	157,0	1,56	5,33	1,34	116,8	1,13	3,98
return gas temp.	-10	14	232,9	795	200,4	1,82	6,22	1,57	127,8	1,15	5,10
RGT= 32/90	0	32	361,9	1236	311,5	2,40	8,21	2,07	150,6	1,20	8,00
liquid temp	5	41	442,5	1511	380,8	2,72	9,29	2,34	162,6	1,23	9,85
Tliq= 45/113	15	59	640,8	2188	551,5	3,40	11,60	2,92	188,7	1,30	14,51
[°C / °F]	-35	-31	38,9	133	33,5	0,54	1,85	0,47	71,7	1,06	0,93
cond. pressure	-25	-13	89,4	305	77,0	0,91	3,10	0,78	98,4	1,10	2,14
pc= 55/131	-15	5	158,6	542	136,5	1,28	4,38	1,10	123,7	1,14	3,82
return gas temp	-10	14	202,7	692	174,5	1,49	5,08	1,28	136,2	1,17	4,90
RGT= 32/90	0	32	314,9	1075	271,0	1,95	6,66	1,68	161,6	1,23	7,70
liquid temp	5	41	385,0	1315	331,3	2,20	7,53	1,90	174,7	1,26	9,49
Tliq= 55/131	15	59	558,0	1906	480,3	2,76	9,41	2,37	202,5	1,34	14,02



# KL Compressors



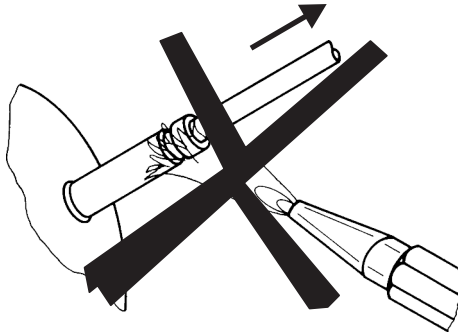




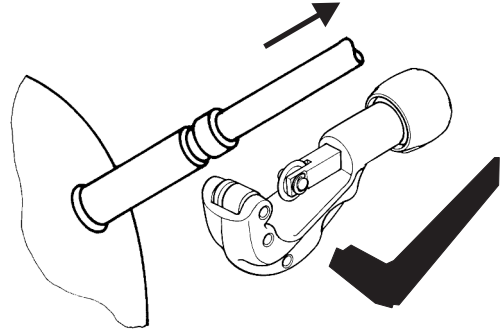
# KL Compressors



## Service/Repair – R290



8545



Secop accepts no responsibility for possible errors in catalogs, brochures, and other printed material. Secop reserves the right to alter its products without notice. This also applies to products already on order provided that such alterations can be made without subsequent changes being necessary to specifications already agreed. All trademarks in this material are the property of the respective companies. Secop and the Secop logotype are trademarks of Secop GmbH. All rights reserved. [www.secop.com](http://www.secop.com)