

Single Pack KLE4.8GFTX 220-240V 50Hz / 208-230V 60Hz CSIR

Single pack code number: **195B4759**

Position	Title	Code	Amount
1	Compressor KLE4.8GFTX	106G5503	1
2	Starting capacitor (80 μ F 220V, 6.3mm)	117U5001	1
3	Starting relay (QLZ-4.6A, overload protector T1189/L6)	117U7073	1
4	KL accessories	103N1060	1
5	Bolt joint for one compressor M6 \varnothing 16mm	118-1917	1

Secop GmbH • Lise-Meitner-Straße 29 • 24941 Flensburg, Germany • Tel: +49 461 4941 0 • www.secop.com

Secop accepts no responsibility for possible errors in catalogs, brochures, and other printed material. Secop reserves the right to alter its products without notice. This also applies to products already on order provided that such alterations can be made without subsequent changes being necessary to specifications already agreed. All trademarks in this material are the property of the respective companies. Secop and the Secop logotype are trademarks of Secop GmbH. All rights reserved.

Model

Designation	KLE4.8GFTX	220-240V/50Hz 1~ 208-230V/60Hz 1~	Sales code:	106G5503
-------------	-------------------	-----------------------------------	-------------	-----------------

Compressor design

Oil type	Polyolester	Refrigerant(s)	R134a, R513A
Oil viscosity	19,2cSt	Displacement	4,8cm ³ / 0,29cu.in
Oil quantity	240cm ³ / 8,1fl.oz	Compressors on pallet	100
Refr. charge - tech. limit	250g / 8,8oz		
Free gas volume comp.	1545cm ³ / 52,2fl.oz		
Weight	9,3kg / 20,5lbs		
Motor protection	external		
Winding resistance main	13,1Ω (at 25°C)		
Winding resistance aux	25,3Ω (at 25°C)		
Max. winding temp.	125°C / 257°F		
Max. discharge temp.	130°C / 266°F		
Additional note	Good robustness against liquid intake. Ice-cube maker optimization - indirect suction intake.		



General - Configurations with KLE4.8GFTX

	Conf. 1	Conf. 2
Motorconfiguration	CSIR	CSIR
Power supply (nominal)	220-240V/50Hz	208-230V/60Hz
Number of phases	1	1
Voltage range	187-254V	198-253V
Approvals	VDE, (UL,CB) in progress	VDE, (UL,CB) in progress
Starting torque	HST	HST
Note	- / -	

Applications with KLE4.8GFTX

	Conf. 1	Conf. 2
Refrigerant	R134a	R134a
Application	LBP+MBP+HBP	LBP+MBP
System cooling	fan 3m/s	fan 3m/s
Hot gas defrost	OK	OK
Long interval pull down	OK	OK

Electrical data - Configurations with KLE4.8GFTX

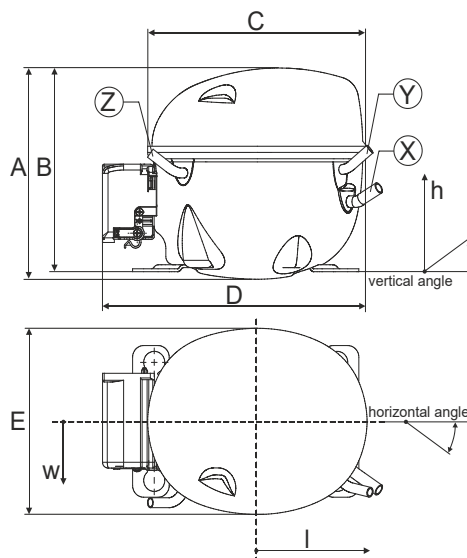
	Conf. 1	Conf. 2
Starting device type	relay	relay
Run capacitor	-/-	-/-
Start capacitor	80μF	80μF
LRA (locked rotor amps / 4s/ U(N))	10,2A	
RLA (rated load amps / 1s/ U(N))	1,4A	
Cut in current (U(N))	10,2A	

Model

Designation	KLE4.8GFTX	220-240V/50Hz 1~ 208-230V/60Hz 1~	Sales code:	106G5503
-------------	-------------------	-----------------------------------	-------------	-----------------

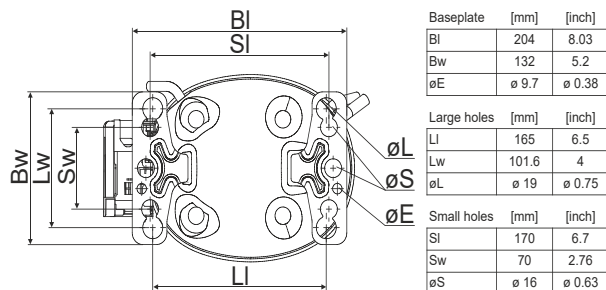
Compressor dimensions

Housing	A Height	182mm / 7,17in
	B Height	175mm / 6,89in
	C Length shell	198mm / 7,8in
	D Length w. cover	238mm / 9,37in
	E Width	160mm / 6,3in

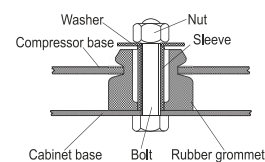


Connectors		Suction	Discharge	Process
		X	Y	Z
Diameter	[mm]	øi 8,11-8,29	øi 6,41-6,59	øi 6,41-6,59
(i:inside, o:outside)	[in]	øi 0,32-0,33	øi 0,25-0,26	øi 0,25-0,26
Material		copper	copper	copper
Horizontal angle	±2°	35°	13°	0°
Vertical angle	±2°	30°	40°	145°
Position l/h/w	[mm]	119/73/59	117/107/66	-88/101/71
	[in]	4,7/2,9/2,3	4,6/4,2/2,6	-3,5/4/2,8
Straight tube l.	[mm]	14	14	14
	[in]	0,5	0,5	0,5

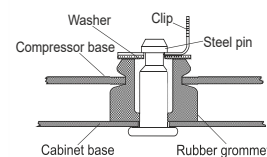
Compressor fixation



Bolt joint



Snap-on



Mounting accessories	one comp.	multi pack
Bolt joint M6 ø16mm	118-1917	118-1918
Bolt joint ø1/4" ø16mm	118-1946	
Bolt joint ø1/4" ø19mm	118-1949	
Snap-on ø7,3 ø16mm	118-1947	118-1919

Application notes

Provision for PE Grounding is located at the PE Stamp on the compressor

Suctiongas connector and Process connector can be switched (minor loss of cooling capacity)

Model

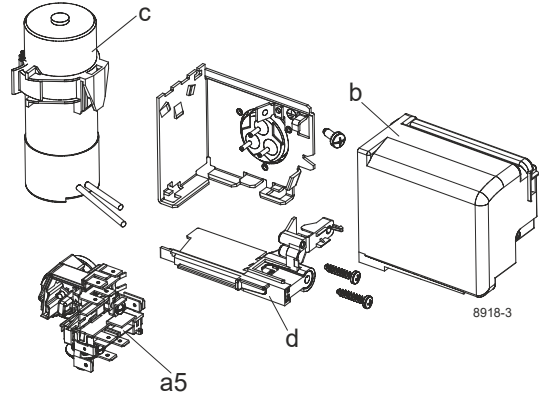
Designation	KLE4.8GFTX	220-240V/50Hz	Conf. 1	Sales code:	106G5503
-------------	-------------------	----------------------	----------------	-------------	-----------------

Configuration

Motorconfiguration	CSIR
Power supply (nominal)	220-240V/50Hz 1~
Refrigerant	R134a
Application	LBP+MBP+HBP
Voltage range	187-254V
Starting torque	HST
Approvals	VDE (UL,CB) in progress

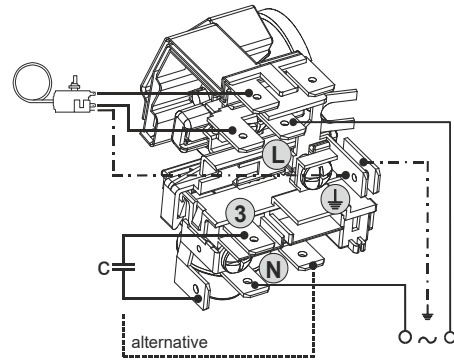
Electrical accessories / wiring diagram

CSIR

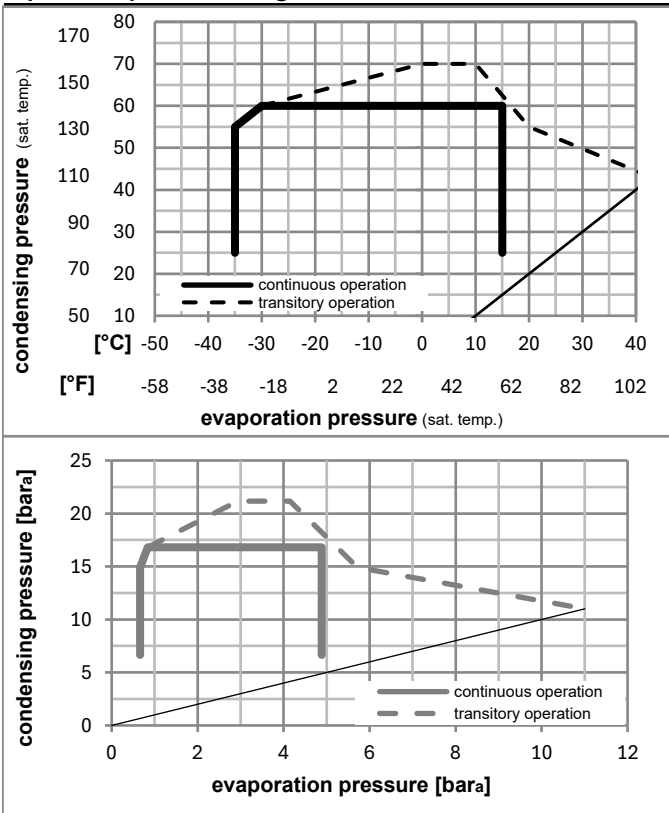


Ambient/ machine room temperatures minimum /maximum

Ambient temperature range:	10 - 43°C / 50 - 110°F
Machine room temperature range:	10 - 48°C / 50 - 119°F
Compressor cooling:	fan 3m/s



Operation pressure range



Components

a5	current relay (T1189/L6-S3)	117U7073
c	start capacitor (80µF, 6.3mm)	117U5001
b, d	cover + clamp + screws(5VA) in bag	103N1060

Alternative components

b, d	100x cover + clamp + screws(5VA)	103N2060
b, d	cover + clamp + screws(5VA-compl.)	103N0600

Model

Designation **KLE4.8GFTX 220-240V/50Hz** Conf. 1 Sales code: **106G5503**

Optimization + standard conditions

R134a, 220V/50Hz, CSIR, fan 3m/s, VDE, (UL,CB) in progress

	pe	pc	RGT	Tliq	Cooling capacity	COP	EER	P1	I	Ref. mass flow	
	[°C]	[°C]	[°C]	[°C]	[W]	[W/W]	[Btu/Wh]	[W]	[A]	[kg/h]	
ASHRAE LBP	-23	54	32	32	129,7	1,26	4,31	102,8	1,18	2,52	
	[-10]	[130]	[90]	[90]							
ASHRAE MBP	-7	54	35	46	279,9	1,88	6,42	148,9	1,29	6,11	
	[20]	[130]	[95]	[115]							
ASHRAE HBP	7,2	54	35	46	502,3	2,71	9,26	185,2	1,41	11,14	
	[45]	[130]	[95]	[115]							
EN12900 LBP	-35	40	20	40	64,4	0,88	3,01	73,0	1,12	1,41	
	[-31]	[104]	[68]	[104]							
EN12900 MBP	-10	45	20	45	241,7	1,87	6,38	129,3	1,24	5,66	
	[14]	[113]	[68]	[113]							
EN12900 HBP	5	50	20	50	428,2	2,49	8,51	171,8	1,36	10,79	
	[41]	[122]	[68]	[122]							

Performance tables

R134a, 220V/50Hz, CSIR, fan 3m/s, VDE, (UL,CB) in progress

	pe	Cooling capacity			COP	EER	P1	I	m
	[°C]	[°F]	[W]	[Btu/h]	[W/W]	[Btu/Wh]	[W]	[A]	[kg/h]
[°C / °F]	-35	-31	60,4	206	0,83	2,85	72,4	1,12	1,30
cond. pressure	-25	-13	111,8	382	1,17	4,00	95,5	1,17	2,42
pc= 45/113	-15	5	195,3	667	1,65	5,65	118,1	1,22	4,26
return gas temp.	-10	14	250,7	856	1,94	6,62	129,3	1,24	5,49
RGT= 32/90	0	32	392,4	1340	2,59	8,83	151,7	1,30	8,68
liquid temp	5	41	479,9	1639	2,95	10,06	163,0	1,33	10,69
Tliq= 45/113	15	59	691,7	2362	3,72	12,72	185,8	1,41	15,67
[°C / °F]	-35	-31	48,8	167	0,72	2,46	67,8	1,11	1,16
cond. pressure	-25	-13	94,7	324	0,97	3,30	97,9	1,17	2,27
pc= 55/131	-15	5	167,6	572	1,32	4,52	126,6	1,24	4,04
return gas temp	-10	14	215,8	737	1,54	5,25	140,4	1,27	5,22
RGT= 32/90	0	32	339,1	1158	2,03	6,92	167,3	1,35	8,29
liquid temp	5	41	415,5	1419	2,30	7,87	180,4	1,39	10,24
Tliq= 55/131	15	59	601,1	2053	2,92	9,96	206,1	1,49	15,10

Model

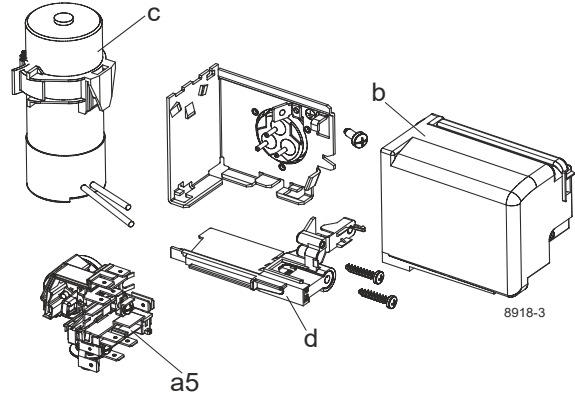
Designation	KLE4.8GFTX	208-230V/60Hz	Conf. 2	Sales code:	106G5503
-------------	-------------------	----------------------	----------------	-------------	-----------------

Configuration

Motorconfiguration	CSIR
Power supply (nominal)	208-230V/60Hz 1~
Refrigerant	R134a
Application	LBP+MBP
Voltage range	198-253V
Starting torque	HST
Approvals	VDE (UL,CB) in progress

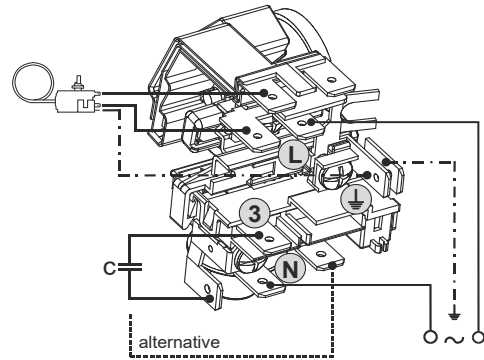
Electrical accessories / wiring diagram

CSIR

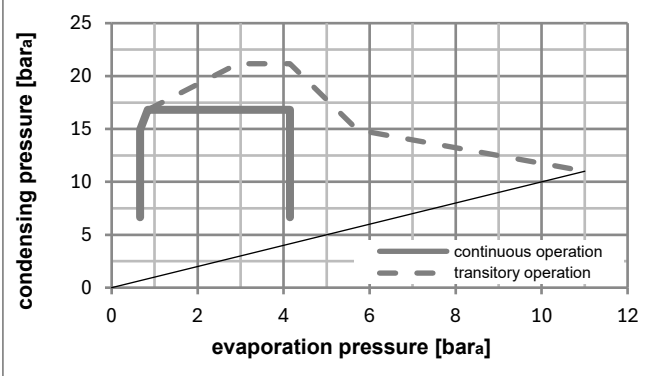
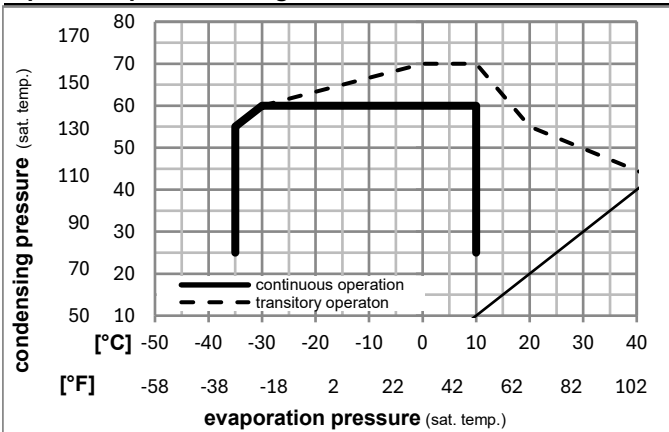


Ambient/ machine room temperatures minimum /maximum

Ambient temperature range:	10 - 43°C / 50 - 110°F
Machine room temperature range:	10 - 48°C / 50 - 119°F
Compressor cooling:	fan 3m/s



Operation pressure range



Components

a5	current relay (T1189/L6-S3)	117U7073
c	start capacitor (80µF, 6.3mm)	117U5001
b, d	cover + clamp + screws(5VA) in bag	103N1060

Alternative components

b, d	100x cover + clamp + screws(5VA)	103N2060
b, d	cover + clamp + screws(5VA-compl.)	103N0600

Model

Designation **KLE4.8GFTX** **208-230V/60Hz** Conf. 2 Sales code: **106G5503**

Optimization + standard conditions

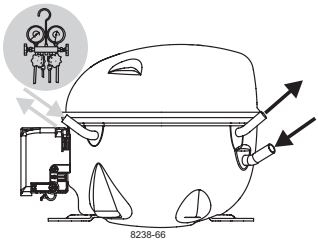
R134a, 230V/60Hz, CSIR, fan 3m/s, VDE, (UL,CB) in progress

	Evaporating pressure (saturation temperature)				Cooling capacity			COP	EER			Power consumption			ASHRAE
	pe	pc	RGT	Tliq	[W]	[Btu/h]	[kcal/h]		[W/W]	[Btu/Wh]	[kcal/Wh]	P1	I	m	
[°C]	-23	54	32	32	154,4	527	132,9	1,30	4,44	1,12	118,6	1,13	3,00		
[°F]	-10	130	90	90											
	-7	54	35	46	330,5	1129	284,4	1,92	6,55	1,65	172,2	1,26	7,21	ASHRAE MBP	
	20	130	95	115											
	7,2	54	35	46	587,3	2006	505,4	2,71	9,25	2,33	216,9	1,39	13,03	ASHRAE HBP	
	45	130	95	115											
	-35	40	20	40	81,6	279	70,2	0,94	3,22	0,81	86,7	1,08	1,79	EN12900 LBP	
	-31	104	68	104											
	-10	45	20	45	281,8	963	242,6	1,87	6,39	1,61	150,6	1,20	6,60	EN12900 MBP	
	14	113	68	113											
	5	50	20	50	500,8	1710	431,0	2,45	8,37	2,11	204,3	1,35	12,62	EN12900 HBP	
	41	122	68	122											

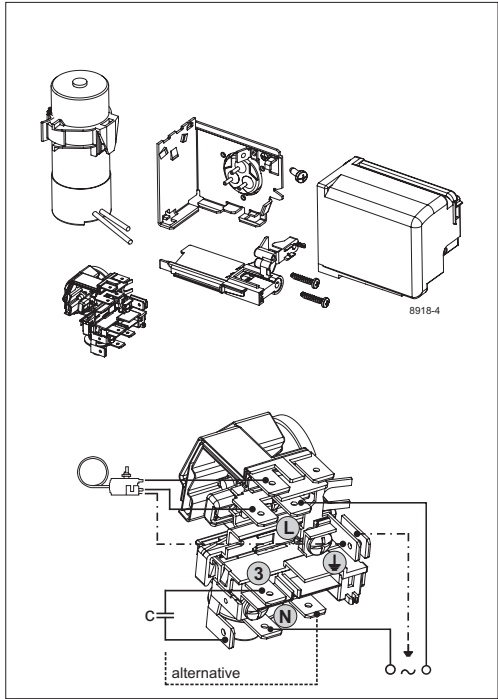
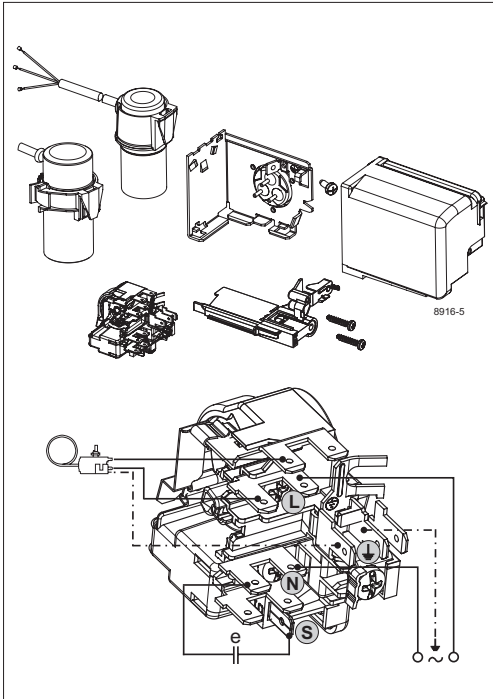
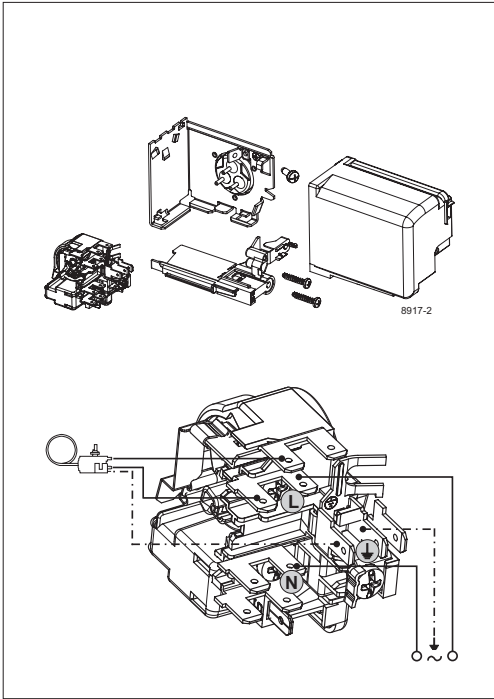
Performance tables

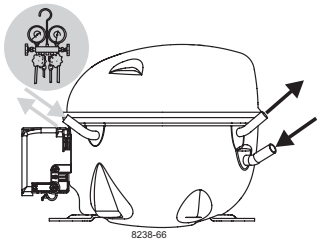
R134a, 230V/60Hz, CSIR, fan 3m/s, VDE, (UL,CB) in progress

	pe		Cooling capacity			COP	EER			P1	I	m
	[°C]	[°F]	[W]	[Btu/h]	[kcal/h]		[W/W]	[Btu/Wh]	[kcal/Wh]			
[°C / °F]	-35	-31	76,1	260	65,5	0,89	3,05	0,77	85,3	1,07	1,64	
cond. pressure	-25	-13	131,2	448	112,9	1,21	4,13	1,04	108,4	1,11	2,84	
pc= 45/113	-15	5	227,5	777	195,8	1,68	5,72	1,44	135,8	1,17	4,96	
return gas temp.	-10	14	292,4	999	251,6	1,94	6,63	1,67	150,6	1,20	6,40	
RGT= 32/90	0	32	458,1	1565	394,3	2,53	8,64	2,18	181,0	1,28	10,13	
liquid temp	5	41	560,0	1912	481,9	2,85	9,75	2,46	196,2	1,33	12,47	
Tliq= 45/113	15	59	804,3	2747	692,2	3,57	12,20	3,07	225,2	1,42	18,22	
[°C / °F]	-35	-31	61,0	208	52,5	0,71	2,43	0,61	85,9	1,08	1,45	
cond. pressure	-25	-13	113,1	386	97,4	0,99	3,39	0,85	114,1	1,12	2,71	
pc= 55/131	-15	5	198,8	679	171,1	1,37	4,66	1,18	145,5	1,19	4,78	
return gas temp	-10	14	255,4	872	219,8	1,58	5,39	1,36	161,9	1,23	6,18	
RGT= 32/90	0	32	398,9	1362	343,3	2,05	7,00	1,76	194,7	1,32	9,76	
liquid temp	5	41	486,8	1662	418,9	2,31	7,89	1,99	210,7	1,37	12,00	
Tliq= 55/131	15	59	697,4	2382	600,2	2,90	9,90	2,50	240,5	1,48	17,52	



KL Compressors

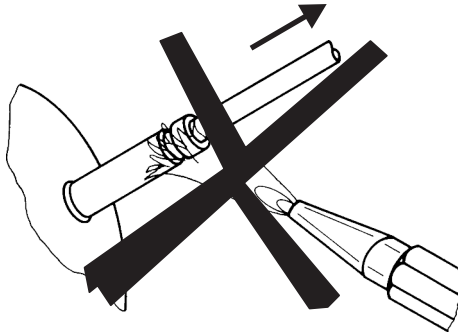




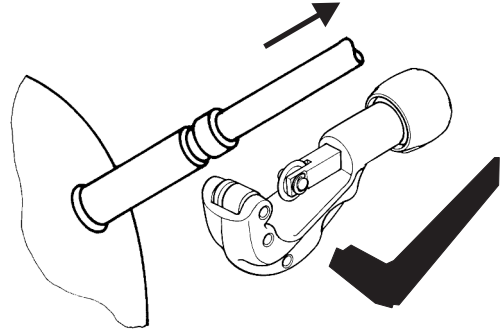
KL Compressors



Service/Repair – R290



8545



Secop accepts no responsibility for possible errors in catalogs, brochures, and other printed material. Secop reserves the right to alter its products without notice. This also applies to products already on order provided that such alterations can be made without subsequent changes being necessary to specifications already agreed. All trademarks in this material are the property of the respective companies. Secop and the Secop logotype are trademarks of Secop GmbH. All rights reserved. www.secop.com