

Single Pack TL2.5G 115V 60Hz RSIR

Codice Imballo Singolo: **195B4058**

| Posizione | Titolo | Codice | Quantità |
|-----------|--|----------|----------|
| 1 | Compressor TL2.5G | 102G3255 | 1 |
| 2 | PTC starting device (115V, 50hm, 6.3mm) | 103N0026 | 1 |
| 3 | Protection screen for PTC | 103N0476 | 1 |
| 4 | Cord relief | 103N1010 | 1 |
| 5 | Cover | 103N2011 | 1 |
| 6 | Bolt joint for one compressor M6 ø16mm | 118-1917 | 1 |

Secop GmbH • Lise-Meitner-Straße 29 • 24941 Flensburg, Germany • Tel: +49 46149410 • www.secop.com

Secop non si assume alcuna responsabilità per eventuali errori presenti in cataloghi, brochure e altro materiale stampato. Secop si riserva il diritto di modificare i propri prodotti senza preavviso. Ciò vale anche per i prodotti già ordinati, a condizione che tali modifiche possano essere apportate senza che siano necessarie modifiche successive alle specifiche già concordate. Tutti i marchi presenti in questo materiale sono di proprietà delle rispettive aziende. Secop e il logo Secop sono marchi di Secop GmbH. Tutti i diritti sono riservati.

TL2.5G Universal Compressor R134a 115V 60Hz

General

| | |
|-----------------------|----------|
| Code number | 102G3255 |
| Approvals | UL984 |
| Compressors on pallet | 125 |

Application

| Application | LBP/HBP | | | |
|--|---------|----|-----------|--|
| Frequency | Hz | 50 | 60 | |
| Evaporating temperature | °F | - | -13 to 59 | |
| Voltage range | V | - | 103 - 127 | |
| Max. condensing temperature continuous (short) | °F | - | 140 (158) | |
| Max. winding temperature continuous (short) | °F | - | 257 (275) | |

Cooling requirements

| Frequency | Hz | 50 | | | 60 | | |
|-------------------------|----|-----|-----|-----|-----|-----|-----|
| Application | | LBP | MBP | HBP | LBP | MBP | HBP |
| 90°F | | - | - | - | S | S | S |
| 100°F | | - | - | - | S | S | S |
| 110°F | | - | - | - | S | S | S |
| Remarks on application: | | | | | | | |

Motor

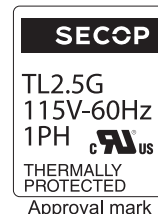
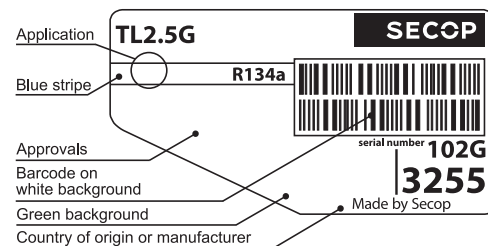
| Motor type | RSIR | | |
|---|------|-----|------|
| LRA (rated after 4 sec. UL984), HST LST | A | - | 7.0 |
| Cut in Current, HST LST | A | - | 16.0 |
| Resistance, main start winding (77°F) | Ω | 5.3 | 4.9 |

Design

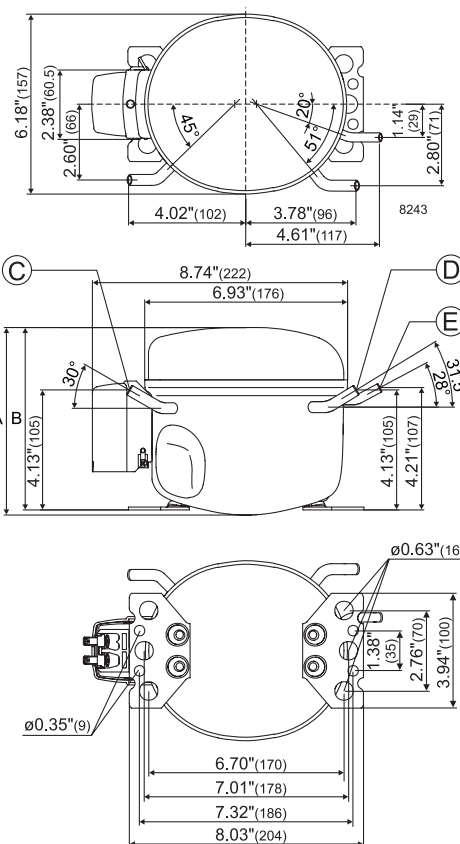
| | | |
|-------------------------------------|--------|-------------------|
| Displacement | cu.in | 0.16 |
| Oil quantity (type) | fl.oz. | 9.5 (polyolester) |
| Maximum refrigerant charge | oz. | 14.0 |
| Free gas volume in compressor | fl.oz. | 54.3 |
| Weight without electrical equipment | lbs. | 14.7 |

Dimensions

| Height | inch | A | 6.42 |
|----------------------|----------------------------|----|----------------------|
| | | B | 6.26 |
| | | B1 | - |
| | | B2 | - |
| Suction connector | location, I.D. in. angle | C | 0.252-0.259 30° |
| | material comment | | Copper Rubber plug |
| Process connector | location, I.D. in. angle | D | 0.252-0.259 31.5° |
| | material comment | | Copper Rubber plug |
| Discharge connector | location, I.D. in. angle | E | 0.202-0.205 28° |
| | material comment | | Copper Rubber plug |
| Oil cooler connector | location, I.D. in. angle | F | - |
| | material comment | | - |
| Remarks: | | | |



- S = Static cooling normally sufficient
- O = Oil cooling
- F₁ = Fan cooling 1.5 m/s
(compressor compartment temperature equal to ambient temperature)
- F₂ = Fan cooling 3.0 m/s necessary
- SG = Suction gas cooling normally sufficient
- = not applicable in this area



ASHRAE LBP

115V, 60Hz, static cooling

| | | | | | | | | | | | | | | | | | |
|--------------------|-----|-----|-----|-----|------|------|------|------|------|------|------|------|------|------|------|------|----|
| Evap. temp. in °F | -49 | -40 | -30 | -20 | -13 | -10 | 0 | 10 | 14 | 20 | 30 | 32 | 40 | 45 | 50 | 59 | 68 |
| Capacity in BTU/h | | | | | 170 | 190 | 279 | 402 | 463 | 557 | 746 | 791 | 969 | 1093 | 1226 | 1488 | |
| Power cons. in W | | | | | 69 | 72 | 81 | 91 | 95 | 101 | 113 | 115 | 124 | 131 | 137 | 149 | |
| Current cons. in A | | | | | 1.22 | 1.23 | 1.28 | 1.34 | 1.36 | 1.41 | 1.48 | 1.49 | 1.56 | 1.60 | 1.64 | 1.73 | |
| EER in BTU/Wh | | | | | 2.46 | 2.66 | 3.46 | 4.43 | 4.87 | 5.50 | 6.63 | 6.89 | 7.79 | 8.36 | 8.94 | 9.97 | |

ASHRAE HBP

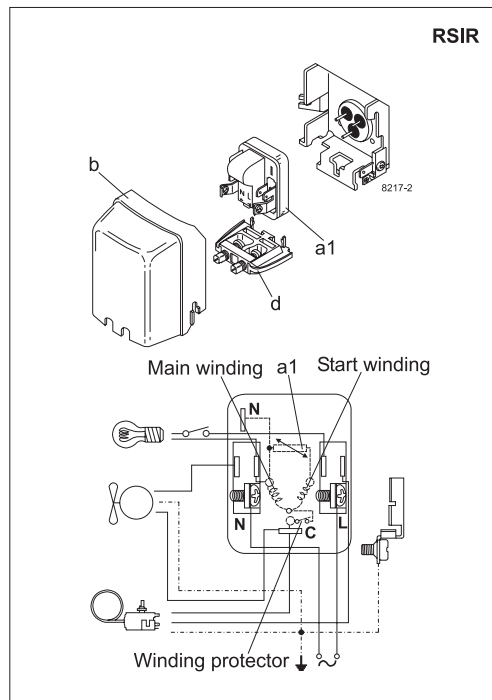
115V, 60Hz, static cooling

| | | | | | | | | | | | | | | | | | |
|--------------------|-----|-----|-----|-----|------|------|------|------|------|------|------|------|------|------|------|------|----|
| Evap. temp. in °F | -49 | -40 | -30 | -20 | -13 | -10 | 0 | 10 | 14 | 20 | 30 | 32 | 40 | 45 | 50 | 59 | 68 |
| Capacity in BTU/h | | | | | 150 | 169 | 248 | 356 | 412 | 493 | 660 | 702 | 857 | 966 | 1083 | 1312 | |
| Power cons. in W | | | | | 69 | 72 | 81 | 91 | 95 | 101 | 113 | 115 | 124 | 131 | 137 | 149 | |
| Current cons. in A | | | | | 1.22 | 1.23 | 1.28 | 1.34 | 1.36 | 1.41 | 1.48 | 1.49 | 1.56 | 1.60 | 1.64 | 1.73 | |
| EER in BTU/Wh | | | | | 2.18 | 2.36 | 3.07 | 3.92 | 4.36 | 4.87 | 5.87 | 6.14 | 6.88 | 7.39 | 7.89 | 8.79 | |

EN 12900 Household (CECOMAF)

115V, 60Hz, static cooling

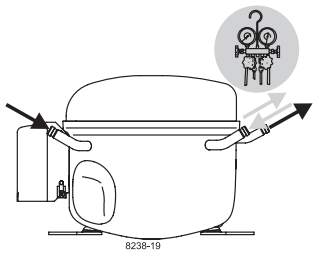
| | | | | | | | | | | | | | | | | | |
|--------------------|-----|-----|-----|-----|------|------|------|------|------|------|------|------|------|------|------|------|----|
| Evap. temp. in °F | -49 | -40 | -30 | -20 | -13 | -10 | 0 | 10 | 14 | 20 | 30 | 32 | 40 | 45 | 50 | 59 | 68 |
| Capacity in W | | | | | 41 | 45 | 67 | 96 | 108 | 133 | 178 | 186 | 231 | 260 | 291 | 353 | |
| Power cons. in W | | | | | 69 | 72 | 81 | 91 | 95 | 101 | 113 | 115 | 124 | 131 | 137 | 149 | |
| Current cons. in A | | | | | 1.22 | 1.23 | 1.28 | 1.34 | 1.37 | 1.41 | 1.48 | 1.50 | 1.56 | 1.60 | 1.64 | 1.73 | |
| COP in W/W | | | | | 0.59 | 0.64 | 0.83 | 1.06 | 1.14 | 1.31 | 1.58 | 1.61 | 1.85 | 1.99 | 2.12 | 2.36 | |



| Accessories for | TL2.5G | Figure | Code number | Test conditions | ASHRAE LBP | ASHRAE HBP | EN 12900/CECOMAF |
|---------------------|-------------------------|--------|-------------|--------------------|------------|------------|------------------|
| PTC starting device | 1/4 in. spade connect. | a1 | 103N0026 | Condensing temp. | 130°F | 130°F | 131°F |
| | 3/16 in. spade connect. | | 103N0023 | Ambient temp. | 90°F | 95°F | 90°F |
| Cover | | b | 103N2011 | Suction gas temp. | 90°F | 95°F | 90°F |
| Cord relief | | d | 103N1010 | Liquid temperature | 90°F | 115°F | 131°F |

| Mounting accessories | | Code number |
|--------------------------|------------|-------------|
| Bolt joint for one comp. | Ø: 5/8 in. | 118-1917 |
| Bolt joint in quantities | Ø: 5/8 in. | 118-1918 |
| Snap-on in quantities | Ø: 5/8 in. | 118-1919 |

Secop accepts no responsibility for possible errors in catalogs, brochures, and other printed material. Secop reserves the right to alter its products without notice. This also applies to products already on order provided that such alterations can be made without subsequential changes being necessary to specifications already agreed. All trademarks in this material are the property of the respective companies. Secop and the Secop logotype are trademarks of Secop GmbH. All rights reserved. www.secop.com



TL Compressors





Service/Repair – R600a, R290



8545

Brazing on Suction Connectors (Direct Intake)

representative image



**! max. 150°C/302°F !
at socket**
brazing solder: phosphor (LP7) or silver

Refer to Product Bulletin:
**Brazing on Suction Connectors
(Compressors with Direct Suction Intake)**

Secop accepts no responsibility for possible errors in catalogs, brochures, and other printed material. Secop reserves the right to alter its products without notice. This also applies to products already on order provided that such alterations can be made without subsequential changes being necessary to specifications already agreed. All trademarks in this material are the property of the respective companies. Secop and the Secop logotype are trademarks of Secop GmbH. All rights reserved. www.secop.com