

# Singolo Imballi

**SECOP**

## Single Pack NF6FK 115-127V 60Hz CSIR

Codice Imballo Singolo: **195B4063**

| Posizione | Titolo                                     | Codice   | Quantità |
|-----------|--|----------|----------|
| 1         | Compressor NF6FK                           | 105G5645 | 1        |
| 2         | Bolt joint for one compressor   M6   ø16mm | 118-1917 | 1        |

**Secop GmbH** • Lise-Meitner-Straße 29 • 24941 Flensburg, Germany • Tel: +49 46149410 • [www.secop.com](http://www.secop.com)

Secop non si assume alcuna responsabilità per eventuali errori presenti in cataloghi, brochure e altro materiale stampato. Secop si riserva il diritto di modificare i propri prodotti senza preavviso. Ciò vale anche per i prodotti già ordinati, a condizione che tali modifiche possano essere apportate senza che siano necessarie modifiche successive alle specifiche già concordate. Tutti i marchi presenti in questo materiale sono di proprietà delle rispettive aziende. Secop e il logo Secop sono marchi di Secop GmbH. Tutti i diritti sono riservati.

## NF6FK Standard Compressor R134a 115-127V 60Hz

### General

|  |          |
|--|----------|
| Code number (pre-assembled CSIR start equipment) | 105G5645 |
| Approvals  | UL984    |
| Compressors on pallet                            | 80       |

### Application

| Application                                    | LBP/MBP |    |           |  |
|--|---------|----|-----------|--|
| Frequency                                      | Hz      | 50 | 60        |  |
| Evaporating temperature                        | °F      | -  | -31 to 45 |  |
| Voltage range                                  | V       | -  | 95 - 135  |  |
| Max. condensing temperature continuous (short) | °F      | -  | 140 (158) |  |
| Max. winding temperature continuous (short)    | °F      | -  | 257 (275) |  |

### Cooling requirements

| Frequency               | Hz | 50  |     |     | 60             |                |     |
|-------------------------|----|-----|-----|-----|----------------|----------------|-----|
| Application             |    | LBP | MBP | HBP | LBP            | MBP            | HBP |
| 90°F                    |    | -   | -   | -   | S              | S              | -   |
| 100°F                   |    | -   | -   | -   | S              | S              | -   |
| 110°F                   |    | -   | -   | -   | F <sub>1</sub> | F <sub>1</sub> | -   |
| Remarks on application: |    |     |     |     |                |                |     |

### Motor

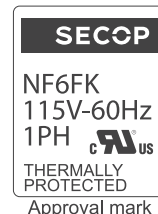
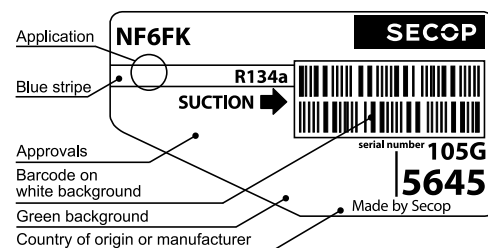
| Motor type                                | CSIR |     |      |
|---|------|-----|------|
| LRA (rated after 4 sec. UL984), HST   LST | A    | -   | 29.4 |
| Cut in Current, HST   LST                 | A    | -   | 29.4 |
| Resistance, main   start winding (77°F)   | Ω    | 2.0 | 9.1  |

### Design

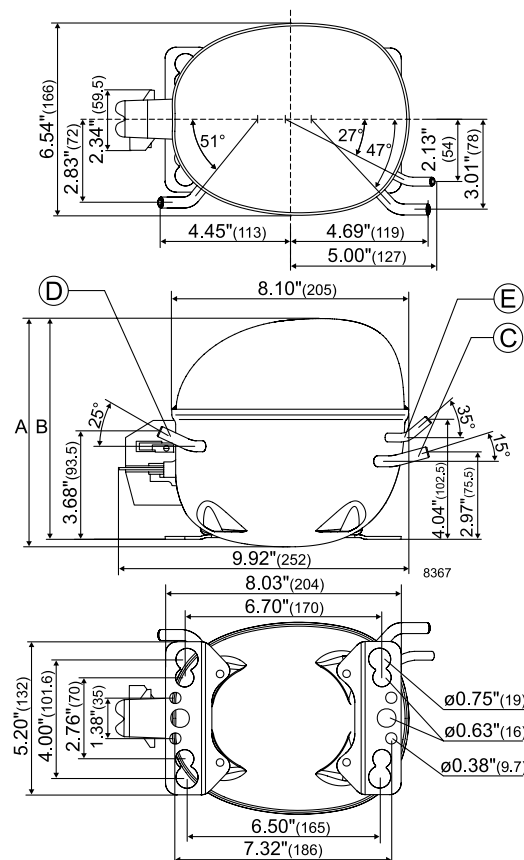
|                                     |        |                    |
|-------------------------------------|--------|--------------------|
| Displacement                        | cu.in  | 0.37               |
| Oil quantity (type)                 | fl.oz. | 9.13 (polyolester) |
| Maximum refrigerant charge          | oz.    | 14.0               |
| Free gas volume in compressor       | fl.oz. | 79.7               |
| Weight without electrical equipment | lbs.   | 23.0               |

### Dimensions

|                      |                            |    |                      |
|----------------------|----------------------------|----|----------------------|
| Height               | inch                       | A  | 7.72                 |
|                      |                            | B  | 7.52                 |
|                      |                            | B1 | -                    |
|                      |                            | B2 | -                    |
| Suction connector    | location, I.D. in.   angle | C  | 0.320-0.327   15°    |
|                      | material   comment         |    | Copper   Rubber plug |
| Process connector    | location, I.D. in.   angle | D  | 0.252-0.259   25°    |
|                      | material   comment         |    | Copper   Rubber plug |
| Discharge connector  | location, I.D. in.   angle | E  | 0.252-0.259   35°    |
|                      | material   comment         |    | Copper   Rubber plug |
| Oil cooler connector | location, I.D. in.   angle | F  | -                    |
|                      | material   comment         |    | -                    |
| Remarks:             |                            |    |                      |



- S = Static cooling normally sufficient
- O = Oil cooling
- F<sub>1</sub> = Fan cooling 1.5 m/s  
(compressor compartment temperature equal to ambient temperature)
- F<sub>2</sub> = Fan cooling 3.0 m/s necessary
- SG = Suction gas cooling normally sufficient
- = not applicable in this area



**ASHRAE LBP**

115V, 60Hz, fan cooling F<sub>1</sub>

|                    |     |     |      |      |      |      |      |      |      |      |      |      |      |      |    |    |    |
|--------------------|-----|-----|------|------|------|------|------|------|------|------|------|------|------|------|----|----|----|
| Evap. temp. in °F  | -49 | -40 | -30  | -20  | -13  | -10  | 0    | 10   | 14   | 20   | 30   | 32   | 40   | 45   | 50 | 59 | 68 |
| Capacity in BTU/h  |     |     | 286  | 462  | 602  | 668  | 912  | 1206 | 1344 | 1560 | 1982 | 2081 | 2484 | 2768 |    |    |    |
| Power cons. in W   |     |     | 100  | 138  | 162  | 172  | 204  | 232  | 243  | 259  | 285  | 290  | 310  | 323  |    |    |    |
| Current cons. in A |     |     | 2.33 | 2.49 | 2.60 | 2.65 | 2.82 | 3.00 | 3.08 | 3.19 | 3.39 | 3.43 | 3.59 | 3.69 |    |    |    |
| EER in BTU/Wh      |     |     | 2.87 | 3.35 | 3.71 | 3.87 | 4.48 | 5.19 | 5.53 | 6.01 | 6.95 | 7.17 | 8.00 | 8.57 |    |    |    |

**ASHRAE MBP**

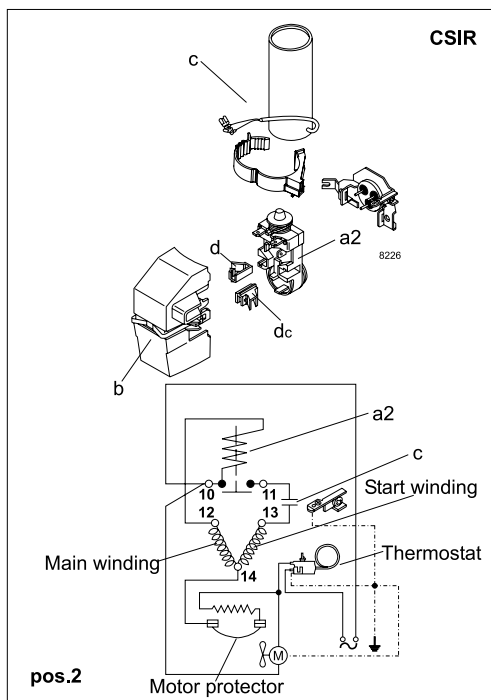
115V, 60Hz, fan cooling F<sub>1</sub>

|                    |     |     |      |      |      |      |      |      |      |      |      |      |      |      |    |    |    |
|--------------------|-----|-----|------|------|------|------|------|------|------|------|------|------|------|------|----|----|----|
| Evap. temp. in °F  | -49 | -40 | -30  | -20  | -13  | -10  | 0    | 10   | 14   | 20   | 30   | 32   | 40   | 45   | 50 | 59 | 68 |
| Capacity in BTU/h  |     |     | 254  | 411  | 535  | 593  | 811  | 1071 | 1194 | 1384 | 1758 | 1849 | 2202 | 2452 |    |    |    |
| Power cons. in W   |     |     | 100  | 138  | 162  | 172  | 204  | 232  | 243  | 259  | 285  | 290  | 310  | 323  |    |    |    |
| Current cons. in A |     |     | 2.33 | 2.49 | 2.60 | 2.65 | 2.82 | 3.00 | 3.08 | 3.19 | 3.39 | 3.43 | 3.59 | 3.69 |    |    |    |
| EER in BTU/Wh      |     |     | 2.55 | 2.98 | 3.30 | 3.44 | 3.98 | 4.61 | 4.91 | 5.34 | 6.16 | 6.38 | 7.09 | 7.59 |    |    |    |

**EN 12900 Household (CECOMAF)**

115V, 60Hz, fan cooling F<sub>1</sub>

|                    |     |     |      |      |      |      |      |      |      |      |      |      |      |      |    |    |    |
|--------------------|-----|-----|------|------|------|------|------|------|------|------|------|------|------|------|----|----|----|
| Evap. temp. in °F  | -49 | -40 | -30  | -20  | -13  | -10  | 0    | 10   | 14   | 20   | 30   | 32   | 40   | 45   | 50 | 59 | 68 |
| Capacity in W      |     |     | 67   | 109  | 143  | 158  | 216  | 286  | 317  | 369  | 468  | 490  | 586  | 653  |    |    |    |
| Power cons. in W   |     |     | 100  | 138  | 162  | 172  | 204  | 232  | 244  | 259  | 285  | 291  | 310  | 323  |    |    |    |
| Current cons. in A |     |     | 2.33 | 2.49 | 2.60 | 2.65 | 2.82 | 3.00 | 3.08 | 3.19 | 3.39 | 3.44 | 3.59 | 3.69 |    |    |    |
| COP in W/W         |     |     | 0.68 | 0.79 | 0.88 | 0.92 | 1.06 | 1.23 | 1.30 | 1.42 | 1.64 | 1.68 | 1.88 | 2.01 |    |    |    |

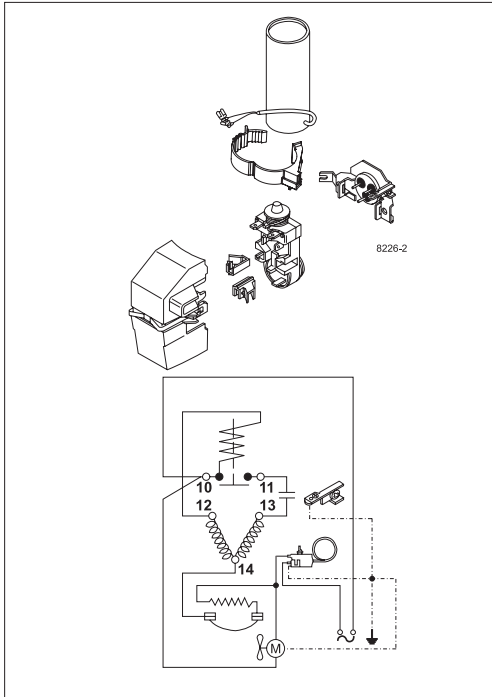
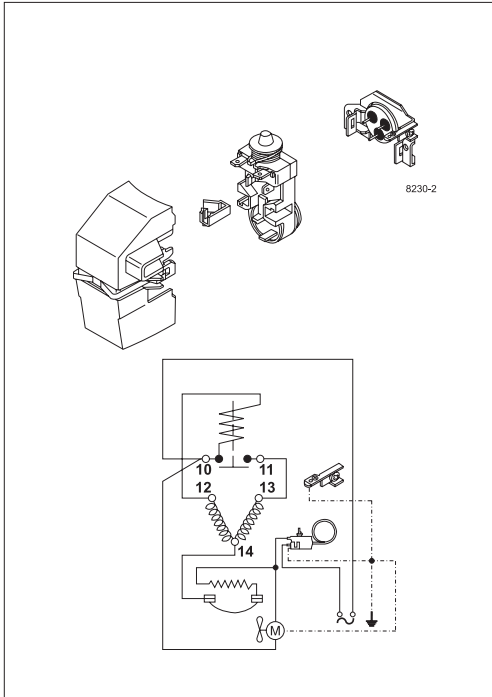


| Accessories for NF6FK<br>(pre-assembled CSIR start equipment) | Figure     | Code number | Test conditions    | ASHRAE LBP         | ASHRAE MBP | EN 12900/CECOMAF |
|---|------------|-------------|--------------------|--------------------|------------|------------------|
| Starting relay 1/4 in. spade connect.                         | a2         | 117U4132    | Condensing temp.   | 130°F              | 130°F      | 131°F            |
| Protector 3/4 in. Texas Instruments                           |            | MRT30AEZ-6  | Ambient temp.      | 90°F               | 95°F       | 90°F             |
| Start. capacitor 320 µF 1/4 in. spade connect.                | c          | 117U5022    | Suction gas temp.  | 90°F               | 95°F       | 90°F             |
| Cord relief for capacitor                                     | dc         | 117U0349    | Liquid temperature | 90°F               | 115°F      | 131°F            |
| Cord relief   | d          | 117U0349    |                    |                    |            |                  |
| Cover   | b          | 117U1021    |                    |                    |            |                  |
| <b>Mounting accessories</b>                                   |            |             |                    | <b>Code number</b> |            |                  |
| Bolt joint for one comp.                                      | Ø: 5/8 in. |             |                    | 118-1917           |            |                  |
| Bolt joint in quantities                                      | Ø: 5/8 in. |             |                    | 118-1918           |            |                  |
| Snap-on in quantities   | Ø: 5/8 in. |             |                    | 118-1919           |            |                  |

Secop accepts no responsibility for possible errors in catalogs, brochures, and other printed material. Secop reserves the right to alter its products without notice. This also applies to products already on order provided that such alterations can be made without subsequential changes being necessary to specifications already agreed. All trademarks in this material are the property of the respective companies. Secop and the Secop logotype are trademarks of Secop GmbH. All rights reserved. [www.secop.com](http://www.secop.com)



# NF Compressors





8238-23



Secop accepts no responsibility for possible errors in catalogs, brochures, and other printed material. Secop reserves the right to alter its products without notice. This also applies to products already on order provided that such alterations can be made without subsequential changes being necessary to specifications already agreed. All trademarks in this material are the property of the respective companies. Secop and the Secop logotype are trademarks of Secop GmbH. All rights reserved. [www.secop.com](http://www.secop.com)