

Single Pack FR7GH 220-240V 50Hz / 208-230V 60Hz CSIR

Codice Imballo Singolo: **195B4106**

Posizione	Titolo	Codice	Quantità
1	Compressor FR7GH	103G6683	1
2	Starting relay	117U6016	1
3	Starting capacitor (80 μ F 220V, 6.3mm)	117U5015	1
4	Cord relief	103N1010	1
5	Cover	103N2011	1
6	Bolt joint for one compressor M6 \varnothing 16mm	118-1917	1

Secop GmbH • Lise-Meitner-Straße 29 • 24941 Flensburg, Germany • Tel: +49 46149410 • www.secop.com

Secop non si assume alcuna responsabilità per eventuali errori presenti in cataloghi, brochure e altro materiale stampato. Secop si riserva il diritto di modificare i propri prodotti senza preavviso. Ciò vale anche per i prodotti già ordinati, a condizione che tali modifiche possano essere apportate senza che siano necessarie modifiche successive alle specifiche già concordate. Tutti i marchi presenti in questo materiale sono di proprietà delle rispettive aziende. Secop e il logo Secop sono marchi di Secop GmbH. Tutti i diritti sono riservati.

Model

Designation	FR7GH	220-240V/50Hz 1~ 208-230V/60Hz 1~	Sales code:	103G6683
-------------	--------------	-----------------------------------	-------------	-----------------

Compressor design

Oil type	Polyolester	Refrigerant(s)	R134a, R513A
Oil viscosity	19,2cST	Displacement	6,93cm ³ / 0,42cu.in
Oil quantity	445cm ³ / 15,1fl.oz	Compressors on pallet	80
Refr. charge - tech. limit	900g / 31,7oz		
Free gas volume comp.	1350cm ³ / 45,6fl.oz		
Weight	10,6kg / 23,4lbs		
Motor protection	1# internal		
Winding resistance main	8,8Ω (at 25°C)		
Winding resistance aux	12Ω (at 25°C)		
Max. winding temp.	125°C / 257°F		
Max. discharge temp.	130°C / 266°F		



General - Configurations with FR7GH

	Conf. 1	Conf. 2	Conf. 3	Conf. 4
Motorconfiguration	CSIR	CSIR	CSIR	CSIR
Power supply (nominal)	220-240V/50Hz	220-240V/50Hz	208-230V/60Hz	208-230V/60Hz
Number of phases	1	1	1	1
Voltage range	198-254V	198-254V	198-254V	198-254V
Approvals	CCC	CCC	CCC	CCC
Starting torque	HST	HST	HST	HST
Note	- / -			

Applications with FR7GH

	Conf. 1	Conf. 2	Conf. 3	Conf. 4
Refrigerant	R134a	R513A	R134a	R513A
Application	MBP+HBP	MBP+HBP	MBP+HBP	MBP+HBP
System cooling	fan 1,5m/s	fan 1,5m/s	fan 1,5m/s	fan 1,5m/s
Hot gas defrost	OK	OK	OK	OK
Long interval pull down	OK	OK	OK	OK

Electrical data - Configurations with FR7GH

	Conf. 1	Conf. 2	Conf. 3	Conf. 4
Starting device type	relay	relay	relay	relay
Run capacitor	- / -	- / -	- / -	- / -
Start capacitor	80μF	80μF	80μF	80μF
LRA (locked rotor amps / 4s)	9,1A	9,1A	9,1A	9,1A
RLA (rated load amps / 1s)				
Cut in current	9,1A	9,1A	9,1A	9,1A

Model

Designation

FR7GH

220-240V/50Hz 1~ 208-230V/60Hz 1~

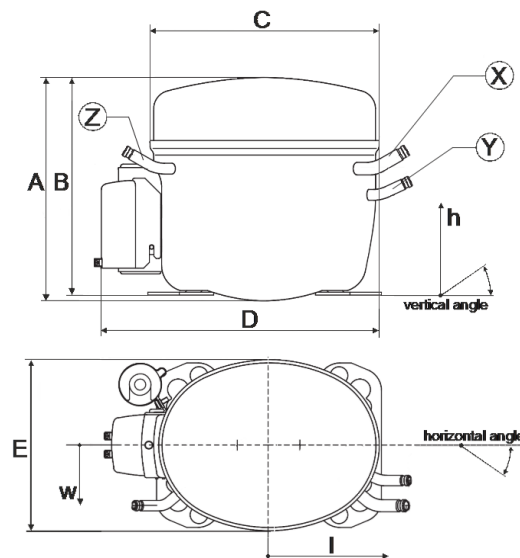
Sales code:

103G6683

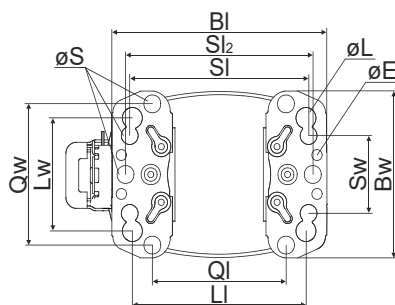
Compressor dimensions

Housing	A Height	196mm / 7,72in
	B Height	191mm / 7,52in
	C Length shell	220mm / 8,66in
	D Length w. cover	243mm / 9,57in
	E Width	156mm / 6,14in

Connectors		Suction	Discharge	Process
		X	Y	Z
Diameter	[mm]	øi 8,11-8,29	øi 8,11-8,29	øi 6,11-6,29
	(i:inside, o:outside) [in]	øi 0,32-0,33	øi 0,32-0,33	øi 0,24-0,25
Material		steel/CU	copper	steel/CU
Horizontal angle	±2°	0°	0°	0°
Vertical angle	±2°	30°	25°	150°
Position l/h/w	[mm]	125/130/55	128/102/32	-123/127/55
	[in]	4,9/5,1/2,2	5/4/1,3	-4,8/5/2,2
Straight tube l.	[mm]	12	12	12
	[in]	0,5	0,5	0,5

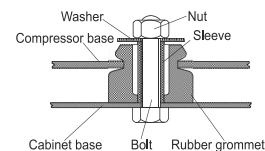


Compressor fixation

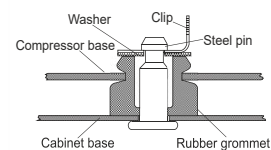


Baseplate	[mm]	[inch]
BI	204	8.03
Bw	150	5.9
øE	ø 9.7	ø 0.38
Large holes		
LI	165	6.5
Lw	101.6	4
øL	ø 19	ø 0.75
Small holes		
SI	170	6.7
Sw	70	2.76
øS	ø 16	ø 0.63
QI	127	5
Qw	127	5

Bolt joint



Snap-on



Mounting accessories

	one comp.	multi pack
Bolt joint M6 ø16mm	118-1917	118-1918
Bolt joint ø1/4" ø16mm	118-1946	
Bolt joint ø1/4" ø19mm	118-1949	
Snap-on ø7,3 ø16mm	118-1947	118-1919

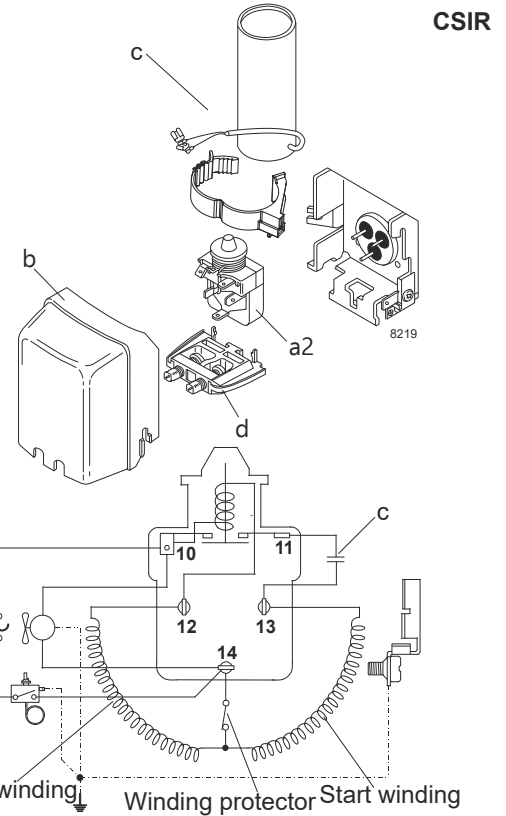
Model

Designation	FR7GH	220-240V/50Hz	Conf. 1	Sales code:	103G6683
-------------	--------------	----------------------	----------------	-------------	-----------------

Configuration

Motorconfiguration	CSIR
Power supply (nominal)	220-240V/50Hz 1~
Refrigerant	R134a
Application	MBP+HBP
Voltage range	198-254V
Starting torque	HST
Approvals	CCC

Electrical accessories / wiring diagram

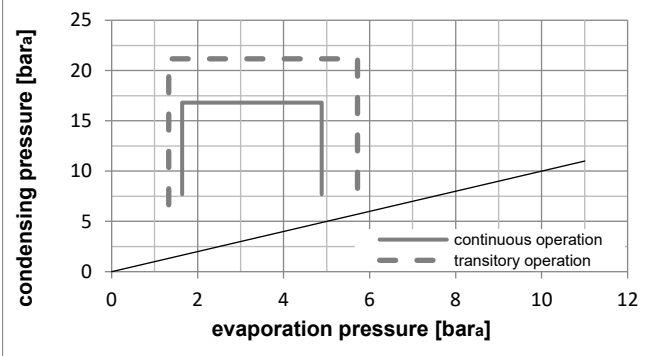
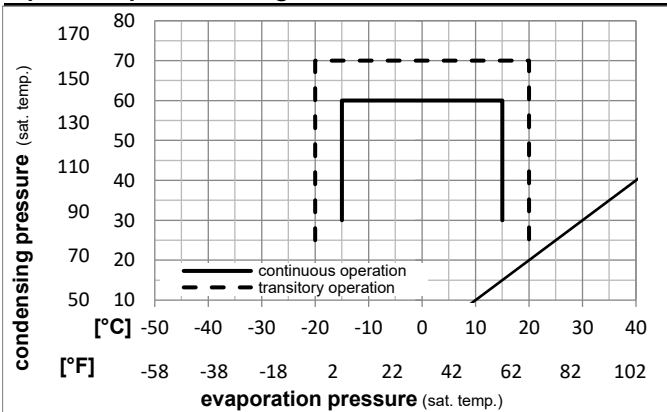


Ambient temperatures / system cooling

Ambient temperature min.:	10°C / 50°F
Ambient temperature max.:	43°C / 110°F

System cooling (n/a: outside limits)			
T ambient	LBP	MBP	HBP
32°C / 90°F	n/a	fan 1,5m/s	fan 1,5m/s
38°C / 100°F	n/a	fan 1,5m/s	fan 1,5m/s
43°C / 110°F	n/a	fan 1,5m/s	fan 1,5m/s

Operation pressure range



Components

a2	relay	117U6016
c	start capacitor (80μF)	117U5015
b	plastic cover	103N2011
d	cord relief	103N1010

Model

Designation **FR7GH** **220-240V/50Hz** Conf. 1 Sales code: **103G6683**

Optimization + standard conditions

R134a, 220V/50Hz, CSIR, fan 1,5m/s, CCC

		Evaporating pressure (saturation temperature)				Condensing pressure (saturation temperature)						Power consumption			
		Return gas temp.				Liquid temp.						Current consumption			Ref. mass flow
		Cooling capacity				COP		EER		P1	I	m			
		pe	pc	RGT	Tliq	[W]	[Btu/h]	[kcal/h]	[W/W]	[Btu/Wh]	[kcal/Wh]	[W]	[A]	[kg/h]	
[°C]	7,2	54	35	46	645,2	2203	555,2	2,44	8,33	2,10	264,6	1,72	14,31	ASHRAE HBP	
[°F]	45	130	95	115											
[°C]	5	55	32	55	525,4	1794	452,1	2,04	6,95	1,75	258,2	1,70	12,95	cecomaf HBP	
[°F]	41	131	90	131											
[°C]	5	50	20	50	553,7	1891	476,5	2,23	7,60	1,92	248,7	1,67	13,95	EN12900 HBP	
[°F]	41	122	68	122											
[°C]	-7	54	35	46	334,8	1143	288,1	1,60	5,47	1,38	208,9	1,53	7,30	ASHRAE MBP	
[°F]	20	130	95	115											
[°C]	-10	55	32	55	255,2	872	219,7	1,33	4,53	1,14	192,4	1,47	6,17	cecomaf MBP	
[°F]	14	131	90	131											
[°C]	-10	45	20	45	301,9	1031	259,8	1,61	5,51	1,39	187,2	1,48	7,07	EN12900 MBP	
[°F]	14	113	68	113											

Performance tables

R134a, 220V/50Hz, CSIR, fan 1,5m/s, CCC

	pe		Cooling capacity			COP	EER	P1	I	m	
	[°C]	[°F]	[W]	[Btu/h]	[kcal/h]	[W/W]	[Btu/Wh]	[kcal/Wh]	[W]	[A]	[kg/h]
[°C / °F]	-15	5	242,0	826	208,2	1,47	5,02	1,27	164,5	1,42	5,27
cond. pressure	-10	14	313,2	1070	269,5	1,67	5,71	1,44	187,2	1,48	6,85
pc= 45/113	-5	23	400,9	1369	345,0	1,94	6,62	1,67	206,9	1,54	8,82
return gas temp.	0	32	506,7	1730	436,1	2,26	7,73	1,95	223,8	1,60	11,21
RGT= 32/90	5	41	632,3	2160	544,2	2,66	9,08	2,29	237,8	1,64	14,08
liquid temp	10	50	779,5	2662	670,8	3,13	10,69	2,69	249,0	1,68	17,49
Tliq= 45/113	15	59	949,8	3244	817,4	3,69	12,61	3,18	257,2	1,72	21,51
[°C / °F]	-15	5	199,0	680	171,2	1,21	4,13	1,04	164,7	1,38	4,79
cond. pressure	-10	14	255,2	872	219,7	1,33	4,53	1,14	192,4	1,47	6,17
pc= 55/131	-5	23	327,3	1118	281,7	1,51	5,15	1,30	217,2	1,55	7,96
return gas temp	0	32	416,8	1423	358,7	1,74	5,95	1,50	239,1	1,63	10,19
RGT= 32/90	5	41	525,4	1794	452,1	2,04	6,95	1,75	258,2	1,70	12,95
liquid temp	10	50	654,8	2236	563,5	2,39	8,15	2,05	274,3	1,76	16,28
Tliq= 55/131	15	59	806,7	2755	694,2	2,80	9,58	2,41	287,6	1,81	20,26

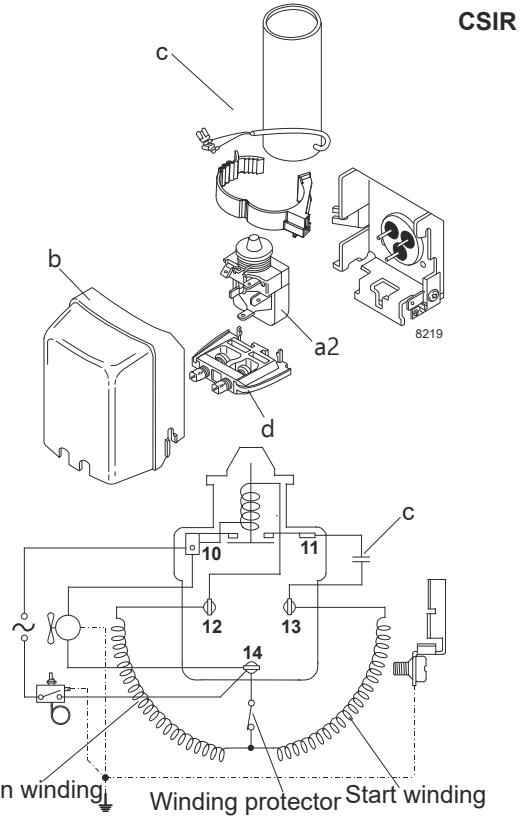
Model

Designation	FR7GH	220-240V/50Hz	Conf. 2	Sales code:	103G6683
-------------	--------------	----------------------	----------------	-------------	-----------------

Configuration

Motorconfiguration	CSIR
Power supply (nominal)	220-240V/50Hz 1~
Refrigerant	R513A
Application	MBP+HBP
Voltage range	198-254V
Starting torque	HST
Approvals	CCC

Electrical accessories / wiring diagram

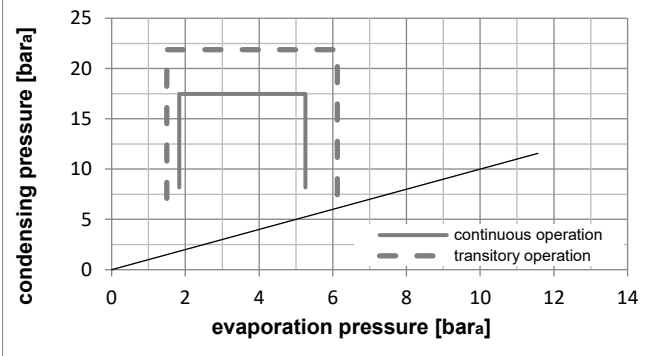
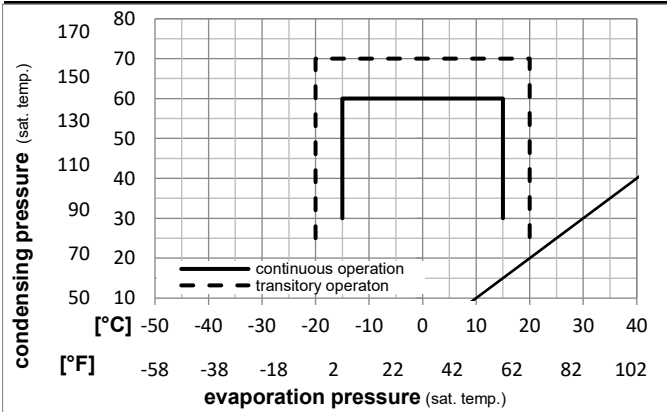


Ambient temperatures / system cooling

Ambient temperature min.:	10°C / 50°F
Ambient temperature max.:	43°C / 110°F

System cooling (n/a: outside limits)			
T ambient	LBP	MBP	HBP
32°C / 90°F	n/a	fan 1,5m/s	fan 1,5m/s
38°C / 100°F	n/a	fan 1,5m/s	fan 1,5m/s
43°C / 110°F	n/a	fan 1,5m/s	fan 1,5m/s

Operation pressure range



Components

a2	relay	117U6016
c	start capacitor (80μF)	117U5015
b	plastic cover	103N2011
d	cord relief	103N1010

Model

Designation **FR7GH** **220-240V/50Hz** Conf. 2 Sales code: **103G6683**

Optimization + standard conditions

R513A, 220V/50Hz, CSIR, fan 1,5m/s, CCC

		Evaporating pressure (saturation temperature)				Condensing pressure (saturation temperature)			Return gas temp.			Liquid temp.			Cooling capacity			COP	EER	Power consumption			
		pe	pc	RGT	Tliq	[W]	[Btu/h]	[kcal/h]	[W/W]	[Btu/Wh]	[kcal/Wh]	P1	I	m	[W]	[A]	[kg/h]						
[°C]	[°F]																						
7,2	45	54	35	46	664,6	2270	572,0	2,41	8,24	2,08	275,5	1,77	16,51								ASHRAE HBP		
5	41	55	32	55	533,3	1821	459,0	1,98	6,76	1,70	269,4	1,75	14,99								cecomaf HBP		
5	41	50	20	50	563,0	1923	484,5	2,17	7,41	1,87	259,5	1,72	16,14								EN12900 HBP		
-7	20	54	35	46	353,1	1206	303,9	1,60	5,46	1,38	220,9	1,59	8,65								ASHRAE MBP		
-10	14	55	32	55	266,4	910	229,3	1,30	4,46	1,12	204,2	1,54	7,37								cecomaf MBP		
-10	14	45	20	45	316,9	1082	272,7	1,60	5,47	1,38	198,0	1,52	8,40								EN12900 MBP		

Performance tables

R513A, 220V/50Hz, CSIR, fan 1,5m/s, CCC

	pe		Cooling capacity			COP	EER	P1			I	m
	[°C]	[°F]	[W]	[Btu/h]	[kcal/h]	[W/W]	[Btu/Wh]	[kcal/Wh]	[W]	[A]	[kg/h]	
[°C / °F]	-15	5	258,8	884	222,8	1,48	5,06	1,27	174,9	1,45	6,34	
cond. pressure	-10	14	331,4	1132	285,2	1,67	5,72	1,44	198,0	1,52	8,15	
pc= 45/113	-5	23	420,1	1435	361,6	1,93	6,59	1,66	217,8	1,58	10,37	
return gas temp.	0	32	526,7	1799	453,3	2,25	7,67	1,93	234,5	1,64	13,06	
RGT= 32/90	5	41	652,7	2229	561,7	2,63	8,99	2,26	248,0	1,68	16,28	
liquid temp	10	50	799,5	2730	688,0	3,09	10,56	2,66	258,5	1,71	20,07	
Tliq= 45/113	15	59	968,7	3308	833,7	3,64	12,43	3,13	266,1	1,74	24,51	
[°C / °F]	-15	5	210,3	718	181,0	1,20	4,08	1,03	176,0	1,45	5,79	
cond. pressure	-10	14	266,4	910	229,3	1,30	4,46	1,12	204,2	1,54	7,37	
pc= 55/131	-5	23	337,9	1154	290,8	1,47	5,04	1,27	229,2	1,62	9,39	
return gas temp	0	32	426,4	1456	367,0	1,70	5,80	1,46	250,9	1,69	11,91	
RGT= 32/90	5	41	533,3	1821	459,0	1,98	6,76	1,70	269,4	1,75	14,99	
liquid temp	10	50	660,3	2255	568,3	2,32	7,91	1,99	284,9	1,80	18,69	
Tliq= 55/131	15	59	808,9	2762	696,1	2,72	9,29	2,34	297,4	1,84	23,10	

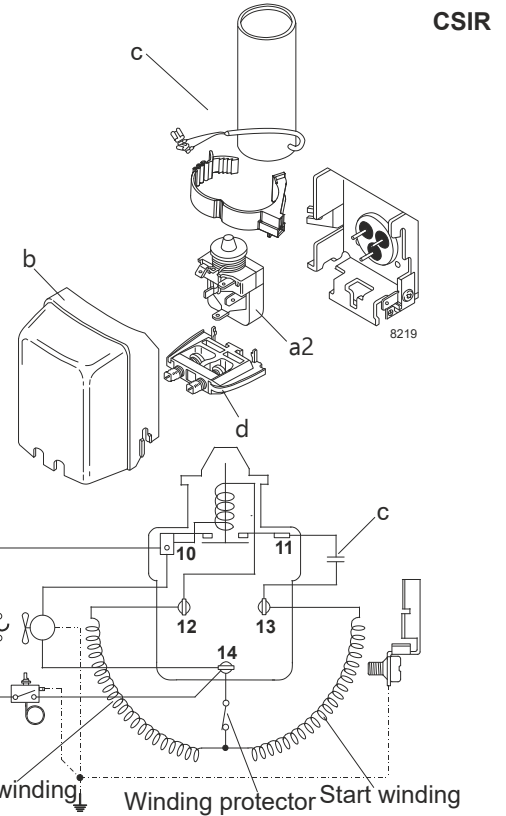
Model

Designation	FR7GH	208-230V/60Hz	Conf. 3	Sales code:	103G6683
-------------	--------------	----------------------	----------------	-------------	-----------------

Configuration

Motorconfiguration	CSIR
Power supply (nominal)	208-230V/60Hz 1~
Refrigerant	R134a
Application	MBP+HBP
Voltage range	198-254V
Starting torque	HST
Approvals	CCC

Electrical accessories / wiring diagram

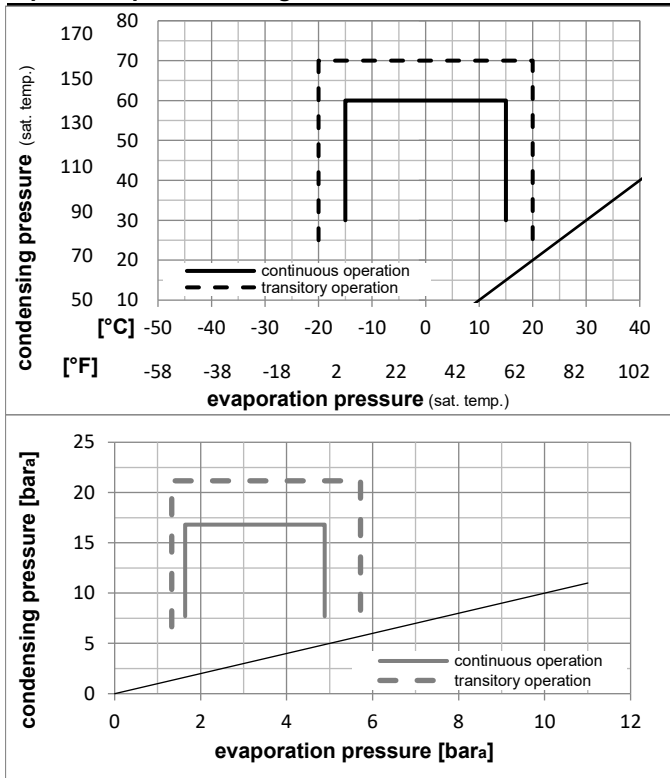


Ambient temperatures / system cooling

Ambient temperature min.:	10°C / 50°F
Ambient temperature max.:	43°C / 110°F

System cooling (n/a: outside limits)			
T ambient	LBP	MBP	HBP
32°C / 90°F	n/a	fan 1,5m/s	fan 1,5m/s
38°C / 100°F	n/a	fan 1,5m/s	fan 1,5m/s
43°C / 110°F	n/a	fan 1,5m/s	fan 1,5m/s

Operation pressure range



Components

a2	relay	117U6016
c	start capacitor (80μF)	117U5015
b	plastic cover	103N2011
d	cord relief	103N1010

Model

Designation **FR7GH** **208-230V/60Hz** Conf. 3 Sales code: **103G6683**

Optimization + standard conditions

R134a, 230V/60Hz, CSIR, fan 1,5m/s, CCC

		Evaporating pressure (saturation temperature)				Condensing pressure (saturation temperature)			Return gas temp.			Liquid temp.			Cooling capacity			COP	EER	Power consumption			
		pe	pc	RGT	Tliq	[W]	[Btu/h]	[kcal/h]	[W/W]	[Btu/Wh]	[kcal/Wh]	P1	I	m	[W]	[A]	[kg/h]						
[°C]	[°F]																						
7,2	45	54	35	46	742,7	2537	639,2	2,26	7,71	1,94	329,1	1,85	16,48								ASHRAE HBP		
5	41	55	32	55	606,5	2071	522,0	1,91	6,54	1,65	316,9	1,79	14,95								cecomaf HBP		
5	41	50	20	50	632,6	2160	544,4	2,12	7,23	1,82	299,0	1,74	15,94								EN12900 HBP		
-7	20	54	35	46	386,6	1320	332,7	1,62	5,53	1,39	238,6	1,49	8,43								ASHRAE MBP		
-10	14	55	32	55	293,9	1004	252,9	1,35	4,62	1,16	217,4	1,41	7,11								cecomaf MBP		
-10	14	45	20	45	341,4	1166	293,8	1,62	5,52	1,39	211,2	1,41	7,99								EN12900 MBP		

Performance tables

R134a, 230V/60Hz, CSIR, fan 1,5m/s, CCC

	pe		Cooling capacity			COP	EER	P1			I	m
	[°C]	[°F]	[W]	[Btu/h]	[kcal/h]	[W/W]	[Btu/Wh]	[kcal/Wh]	[W]	[A]	[kg/h]	
[°C / °F]	-15	5	271,1	926	233,3	1,46	4,99	1,26	185,7	1,34	5,91	
cond. pressure	-10	14	354,2	1210	304,8	1,68	5,73	1,44	211,2	1,41	7,75	
pc= 45/113	-5	23	454,9	1554	391,5	1,93	6,58	1,66	236,2	1,49	10,00	
return gas temp.	0	32	575,4	1965	495,2	2,21	7,54	1,90	260,6	1,58	12,72	
RGT= 32/90	5	41	717,6	2451	617,5	2,52	8,62	2,17	284,4	1,68	15,98	
liquid temp	10	50	883,5	3017	760,3	2,87	9,81	2,47	307,6	1,80	19,82	
Tliq= 45/113	15	59	1075,2	3672	925,3	3,26	11,12	2,80	330,1	1,92	24,35	
[°C / °F]	-15	5	225,3	770	193,9	1,22	4,18	1,05	184,1	1,31	5,42	
cond. pressure	-10	14	293,9	1004	252,9	1,35	4,62	1,16	217,4	1,41	7,11	
pc= 55/131	-5	23	378,9	1294	326,1	1,51	5,16	1,30	250,6	1,53	9,21	
return gas temp	0	32	482,4	1648	415,2	1,70	5,81	1,46	283,8	1,65	11,80	
RGT= 32/90	5	41	606,5	2071	522,0	1,91	6,54	1,65	316,9	1,79	14,95	
liquid temp	10	50	753,2	2572	648,2	2,15	7,35	1,85	349,9	1,94	18,72	
Tliq= 55/131	15	59	924,5	3157	795,6	2,42	8,25	2,08	382,7	2,10	23,22	

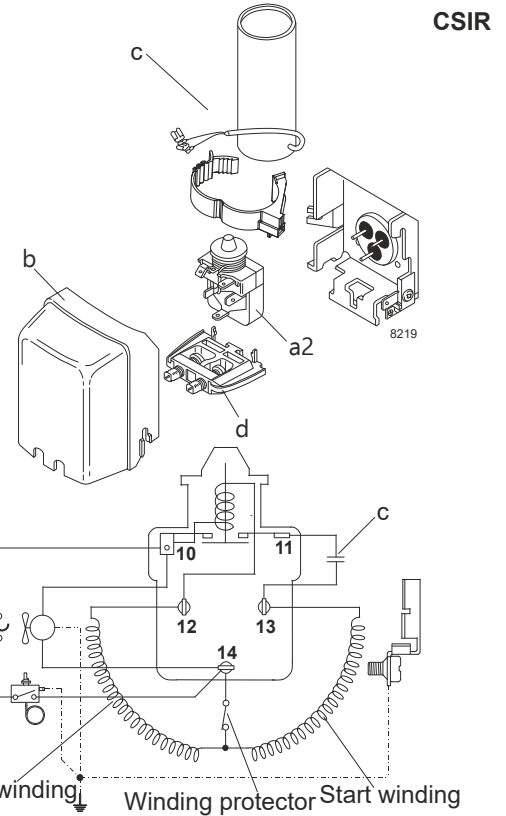
Model

Designation	FR7GH	208-230V/60Hz	Conf. 4	Sales code:	103G6683
-------------	--------------	----------------------	----------------	-------------	-----------------

Configuration

Motorconfiguration	CSIR
Power supply (nominal)	208-230V/60Hz 1~
Refrigerant	R513A
Application	MBP+HBP
Voltage range	198-254V
Starting torque	HST
Approvals	CCC

Electrical accessories / wiring diagram

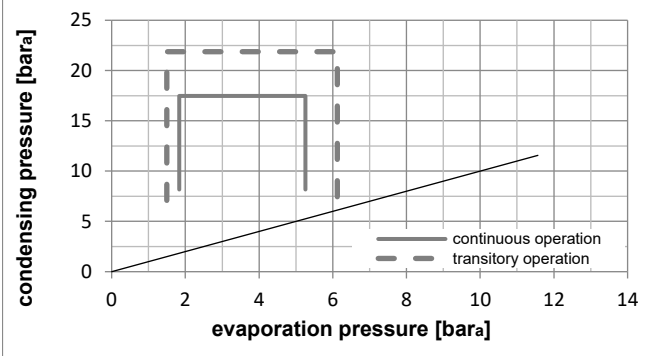
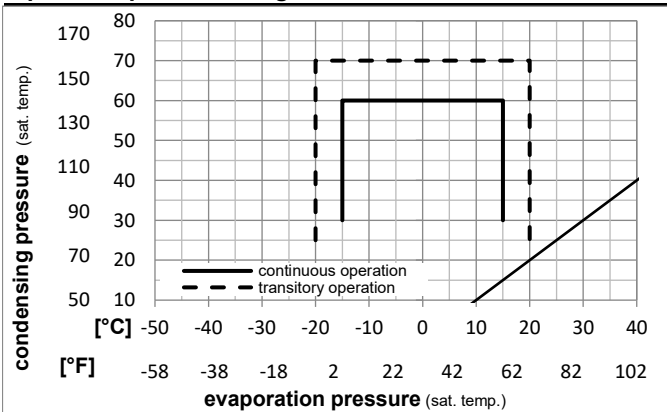


Ambient temperatures / system cooling

Ambient temperature min.:	10°C / 50°F
Ambient temperature max.:	43°C / 110°F

System cooling (n/a: outside limits)			
T ambient	LBP	MBP	HBP
32°C / 90°F	n/a	fan 1,5m/s	fan 1,5m/s
38°C / 100°F	n/a	fan 1,5m/s	fan 1,5m/s
43°C / 110°F	n/a	fan 1,5m/s	fan 1,5m/s

Operation pressure range



Components

a2	relay	117U6016
c	start capacitor (80μF)	117U5015
b	plastic cover	103N2011
d	cord relief	103N1010

Model

Designation **FR7GH** **208-230V/60Hz** Conf. 4 Sales code: **103G6683**

Optimization + standard conditions

R513A, 230V/60Hz, CSIR, fan 1,5m/s, CCC

		Evaporating pressure (saturation temperature)				Condensing pressure (saturation temperature)			Return gas temp.			Liquid temp.			Cooling capacity			COP	EER	Power consumption			
		pe	pc	RGT	Tliq	[W]	[Btu/h]	[kcal/h]	[W/W]	[Btu/Wh]	[kcal/Wh]	P1	I	m	[W]	[A]	[kg/h]						
[°C]	[°F]																						
7,2	45	54	35	46	765,0	2613	658,4	2,22	7,60	1,91	343,8	1,96	19,01								ASHRAE HBP		
5	41	55	32	55	615,7	2103	529,9	1,86	6,34	1,60	331,8	1,92	17,30								cecomaf HBP		
5	41	50	20	50	643,2	2197	553,6	2,06	7,02	1,77	312,9	1,84	18,44								EN12900 HBP		
-7	20	54	35	46	407,7	1392	350,9	1,61	5,50	1,39	253,1	1,60	9,99								ASHRAE MBP		
-10	14	55	32	55	306,7	1048	264,0	1,32	4,52	1,14	231,7	1,51	8,48								cecomaf MBP		
-10	14	45	20	45	358,3	1224	308,4	1,60	5,46	1,37	224,3	1,49	9,50								EN12900 MBP		

Performance tables

R513A, 230V/60Hz, CSIR, fan 1,5m/s, CCC

	pe		Cooling capacity			COP	EER	P1			I	m
	[°C]	[°F]	[W]	[Btu/h]	[kcal/h]	[W/W]	[Btu/Wh]	[kcal/Wh]	[W]	[A]	[kg/h]	
[°C / °F]	-15	5	289,9	990	249,5	1,46	4,99	1,26	198,4	1,38	7,10	
cond. pressure	-10	14	374,7	1280	322,5	1,67	5,71	1,44	224,3	1,49	9,21	
pc= 45/113	-5	23	476,8	1628	410,3	1,91	6,53	1,65	249,4	1,59	11,77	
return gas temp.	0	32	598,2	2043	514,8	2,18	7,46	1,88	273,8	1,68	14,84	
RGT= 32/90	5	41	740,6	2529	637,4	2,49	8,50	2,14	297,5	1,78	18,47	
liquid temp	10	50	906,1	3094	779,8	2,83	9,66	2,43	320,4	1,87	22,75	
Tliq= 45/113	15	59	1096,4	3744	943,6	3,20	10,93	2,75	342,5	1,96	27,74	
[°C / °F]	-15	5	238,2	813	205,0	1,20	4,11	1,04	197,8	1,38	6,56	
cond. pressure	-10	14	306,7	1048	264,0	1,32	4,52	1,14	231,7	1,51	8,48	
pc= 55/131	-5	23	391,2	1336	336,7	1,47	5,04	1,27	265,3	1,65	10,87	
return gas temp	0	32	493,6	1686	424,8	1,65	5,64	1,42	298,7	1,78	13,79	
RGT= 32/90	5	41	615,7	2103	529,9	1,86	6,34	1,60	331,8	1,92	17,30	
liquid temp	10	50	759,5	2594	653,6	2,08	7,11	1,79	364,7	2,05	21,50	
Tliq= 55/131	15	59	926,7	3165	797,6	2,33	7,97	2,01	397,2	2,18	26,47	