

## Single Pack SC18MLX 220-240V 50Hz CSCR

Codice Imballo Singolo: **195B4185**

Posizione	Titolo	Codice	Quantità
1	Compressor SC18MLX	104L2139	1
2	SC starting device (550mm)	117-7027	1
3	Cord relief	103N1004	1
4	Cover	103N2009	1
5	Bolt joint for one compressor   M6   ø16mm	118-1917	1

**Secop GmbH** • Lise-Meitner-Straße 29 • 24941 Flensburg, Germany • Tel: +49 46149410 • [www.secop.com](http://www.secop.com)

Secop non si assume alcuna responsabilità per eventuali errori presenti in cataloghi, brochure e altro materiale stampato. Secop si riserva il diritto di modificare i propri prodotti senza preavviso. Ciò vale anche per i prodotti già ordinati, a condizione che tali modifiche possano essere apportate senza che siano necessarie modifiche successive alle specifiche già concordate. Tutti i marchi presenti in questo materiale sono di proprietà delle rispettive aziende. Secop e il logo Secop sono marchi di Secop GmbH. Tutti i diritti sono riservati.

## Model

Designation	<b>SC18MLX</b>	220-240V/50Hz 1~	Sales code:	<b>104L2139</b>
-------------	----------------	------------------	-------------	-----------------

## Compressor design

Oil type	Polyolester	Refrigerant(s)	<b>R404A, R507</b>
Oil viscosity	32cST	Displacement	17,69cm <sup>3</sup> / 1,08cu.in
Oil quantity	550cm <sup>3</sup> / 18,6fl.oz	Compressors on pallet	80
Refr. charge - tech. limit	1300g / 45,9oz		
Free gas volume comp.	1460cm <sup>3</sup> / 49,4fl.oz		
Weight	14kg / 30,9lbs		
Motor protection	1# internal		
Winding resistance main	3,4Ω (at 25°C)		
Winding resistance aux	14,4Ω (at 25°C)		
Max. winding temp.	125°C / 257°F		
Max. discharge temp.	135°C / 275°F		



## General - Configurations with SC18MLX

	<b>Conf. 1</b>
Motorconfiguration	CSCR
Power supply (nominal)	220-240V/50Hz
Number of phases	1
Voltage range	198-254V
Approvals	CCC, VDE, EAC
Starting torque	HST
Note	- / -

## Applications with SC18MLX

	<b>Conf. 1</b>
Refrigerant	R404A
Application	MBP
System cooling	fan 3m/s
Hot gas defrost	OK
Long interval pull down	OK

## Electrical data - Configurations with SC18MLX

	<b>Conf. 1</b>
Starting device type	relay
Run capacitor	10μF
Start capacitor	80μF
LRA (locked rotor amps / 4s)	
RLA (rated load amps / 1s)	-/A
Cut in current	

## Model

Designation

**SC18MLX**

220-240V/50Hz 1~

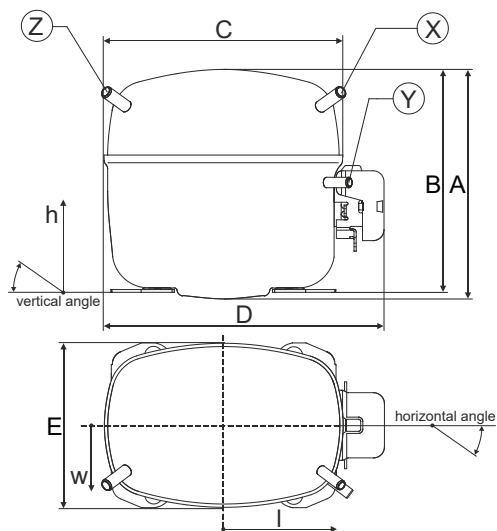
Sales code:

**104L2139**

## Compressor dimensions

Housing	A Height	219mm / 8,62in
	B Height	213mm / 8,39in
	C Length shell	218mm / 8,58in
	D Length w. cover	255mm / 10,04in
	E Width	151mm / 5,94in

Connectors	Suction X	Discharge Y	Process Z
Diameter [mm]	øi 10,11-10,29	øi 6,11-6,29	øi 6,11-6,29
(i:inside, o:outside) [in]	øi 0,4-0,41	øi 0,24-0,25	øi 0,24-0,25
Material	copper	copper	copper
Horizontal angle ±2°	37°	37°	143°
Vertical angle ±2°	30°	0°	150°
Position l/h/w [mm]	107/193/55	115/110/63	-107/193/55
[in]	4,2/7,6/2,2	4,5/4,3/2,5	-4,2/7,6/2,2
Straight tube l. [mm]	12	12	12
[in]	0,5	0,5	0,5

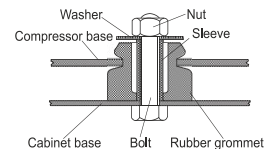


## Compressor fixation

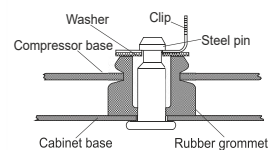


Baseplate	[mm]	[inch]
BI	204	8.03
Bw	150	5.9
øE	ø 9.7	ø 0.38
Large holes	[mm]	[inch]
LI	165	6.5
Lw	101.6	4
øL	ø 19	ø 0.75
Small holes	[mm]	[inch]
SI	170	6.7
Sw	70	2.76
øS	ø 16	ø 0.63
QI	127	5
Qw	127	5

## Bolt joint



## Snap-on



## Mounting accessories

Mounting accessories	one comp.	multi pack
Bolt joint   M6   ø16mm	118-1917	118-1918
Bolt joint   ø1/4"   ø16mm	118-1946	
Bolt joint   ø1/4"   ø19mm	118-1949	
Snap-on   ø7,3   ø16mm	118-1947	118-1919

## Application notes

Provision for PE Grounding is located at the PE Stamp on the compressor

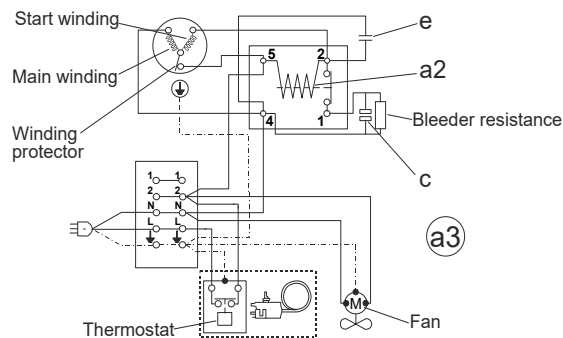
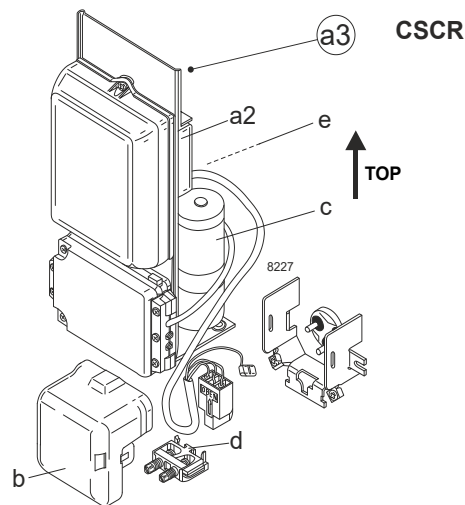
## Model

Designation	<b>SC18MLX</b>	<b>220-240V/50Hz</b>	<b>Conf. 1</b>	Sales code:	<b>104L2139</b>
-------------	----------------	----------------------	----------------	-------------	-----------------

## Configuration

Motorconfiguration	CSCR
Power supply (nominal)	220-240V/50Hz 1~
Refrigerant	R404A
Application	MBP
Voltage range	198-254V
Starting torque	HST
Approvals	CCC VDE EAC

## Electrical accessories / wiring diagram

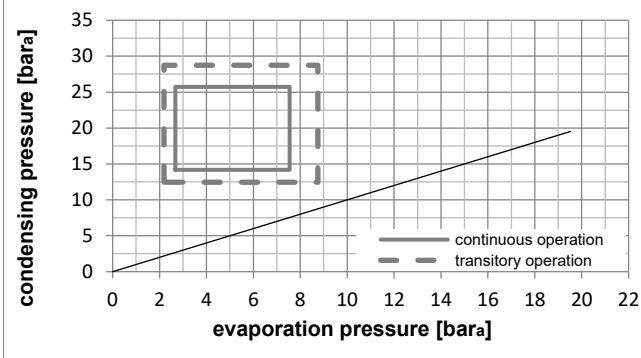
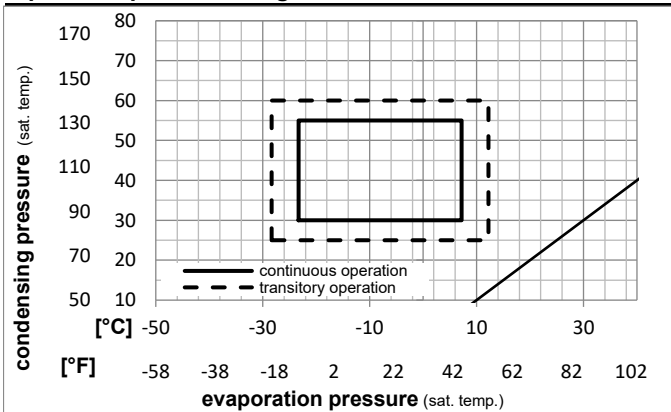


## Ambient/ machine room temperatures minimum /maximum

Ambient temperature range:	10 - 38°C / 50 - 101°F
Machine room temperature range:	10 - 43°C / 50 - 110°F
Compressor cooling:	fan 3m/s

## Operation Limits

### Operation pressure range



### Components

a3	SC starter kit (550mm)	117-7027
b	plastic cover	103N2009
d	cord relief	103N1004

### Alternative components

a3	SC starter kit (1000mm)	117-7040
a3	SC starter kit (650mm)	117-7046
c	start capacitor (80µF)	117U5373
e	run capacitor (10µF, 6.3mm)	117-7112

## Model

Designation **SC18MLX** **220-240V/50Hz** Conf. 1 Sales code: **104L2139**

## Optimization + standard conditions

R404A, 220V/50Hz, CSCR, fan 3m/s, CCC, VDE, EAC

	Evaporating pressure (saturation temperature)				Condensing pressure (saturation temperature)			Return gas temp.	Liquid temp.	Cooling capacity	COP	EER	Power consumption			ASHRAE MBP
	pe	pc	RGT	Tliq	[W]	[Btu/h]	[kcal/h]						P1	I	Ref. mass flow	
[°C]	-7	54	35	46	1604,9	5481	1381,2	1,64	5,62	1,42	976,0	4,91	44,16			
[°F]	20	130	95	115												
	-10	55	32	55	1195,4	4083	1028,8	1,29	4,41	1,11	925,5	4,67	38,27	cecomaf MBP		
	-10	45	20	45	1410,5	4817	1213,9	1,64	5,60	1,41	860,1	4,40	42,49	EN12900 MBP		
	-10	113	68	113												
	-7	49	18	49	1467,0	5010	1262,5	1,58	5,38	1,36	931,0	4,73	47,93	ARI540 MBP		
	-7	120	65	120												
	-10	45	32	45	1496,9	5112	1288,3	1,74	5,94	1,50	860,1	4,40	41,22	opt		
	-10	113	90	113												
	-25	45	32	45	766,6	2618	659,7	1,17	4,01	1,01	653,0	3,47	20,68	opt		
	-25	113	90	113												

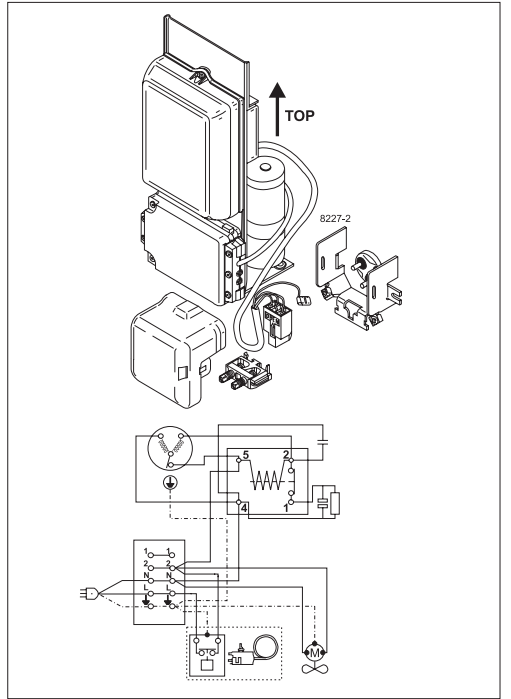
## Performance tables

R404A, 220V/50Hz, CSCR, fan 3m/s, CCC, VDE, EAC

	pe		Cooling capacity			COP	EER	P1	I	m	
	[°C]	[°F]	[W]	[Btu/h]	[kcal/h]	[W/W]	[Btu/Wh]	[kcal/Wh]	[W]	[A]	[kg/h]
[°C / °F]	-23	-10	830,9	2838	715,1	1,23	4,20	1,06	676,3	3,57	22,46
cond. pressure	-20	-4	968,4	3307	833,4	1,34	4,58	1,16	721,5	3,76	26,27
pc= 45/113	-15	5	1210,5	4134	1041,7	1,53	5,23	1,32	790,4	4,07	33,07
return gas temp.	-10	14	1496,9	5112	1288,3	1,74	5,94	1,50	860,1	4,40	41,22
RGT= 32/90	-5	23	1832,1	6257	1576,7	1,97	6,72	1,69	931,2	4,75	50,93
liquid temp	0	32	2220,1	7582	1910,6	2,21	7,55	1,90	1004,2	5,12	62,41
Tliq= 45/113	7,2	45	2880,2	9836	2478,7	2,59	8,83	2,23	1113,9	5,69	82,59
[°C / °F]	-23	-10	662,0	2261	569,8	0,94	3,21	0,81	705,1	3,71	20,74
cond. pressure	-20	-4	770,5	2631	663,1	1,01	3,46	0,87	759,8	3,94	24,24
pc= 55/131	-15	5	963,7	3291	829,4	1,14	3,91	0,98	842,5	4,29	30,56
return gas temp	-10	14	1195,4	4083	1028,8	1,29	4,41	1,11	925,5	4,67	38,27
RGT= 32/90	-5	23	1469,8	5020	1264,9	1,46	4,97	1,25	1009,2	5,06	47,57
liquid temp	0	32	1791,1	6117	1541,4	1,64	5,59	1,41	1094,3	5,48	58,73
Tliq= 55/131	7,2	45	2344,6	8007	2017,8	1,92	6,56	1,65	1220,1	6,12	78,68



# SC Compressors





# SC Compressors

## Service/Repair – R290



8545



Secop accepts no responsibility for possible errors in catalogs, brochures, and other printed material. Secop reserves the right to alter its products without notice. This also applies to products already on order provided that such alterations can be made without subsequent changes being necessary to specifications already agreed. All trademarks in this material are the property of the respective companies. Secop and the Secop logotype are trademarks of Secop GmbH. All rights reserved. [www.secop.com](http://www.secop.com)