

Single Pack NLE11CNL 220-240V 50Hz CSIR

Codice Imballo Singolo: **195B4193**

Posizione	Titolo	Codice	Quantità
1	Compressor NLE11CNL	105H6174	1
2	Starting relay	117U7003	1
3	Starting capacitor (80 μ F 220V, 6.3mm)	117U5015	1
4	Cord relief	103N1010	1
5	Cover	103N2010	1
6	Bolt joint for one compressor M6 \varnothing 16mm	118-1917	1

Secop GmbH • Lise-Meitner-Straße 29 • 24941 Flensburg, Germany • Tel: +49 46149410 • www.secop.com

Secop non si assume alcuna responsabilità per eventuali errori presenti in cataloghi, brochure e altro materiale stampato. Secop si riserva il diritto di modificare i propri prodotti senza preavviso. Ciò vale anche per i prodotti già ordinati, a condizione che tali modifiche possano essere apportate senza che siano necessarie modifiche successive alle specifiche già concordate. Tutti i marchi presenti in questo materiale sono di proprietà delle rispettive aziende. Secop e il logo Secop sono marchi di Secop GmbH. Tutti i diritti sono riservati.

Model

Designation	NLE11CNL	220-240V/50Hz 1~	Sales code:	105H6174
-------------	-----------------	------------------	-------------	-----------------

Compressor design

Oil type	Polyolester	Refrigerant(s)	R290
Oil viscosity	32cST	Displacement	11,15cm ³ / 0,68cu.in
Oil quantity	303cm ³ / 10,2fl.oz	Compressors on pallet	80
Refr. charge - tech. limit	400g / 14,1oz		
Free gas volume comp.	2360cm ³ / 79,8fl.oz		
Weight	12,1kg / 26,7lbs		
Motor protection	1# internal		
Winding resistance main	7,72Ω (at 25°C)		
Winding resistance aux	17,82Ω (at 25°C)		
Max. winding temp.	125°C / 257°F		
Max. discharge temp.	130°C / 266°F		



General - Configurations with NLE11CNL

	Conf. 1	Conf. 2
Motorconfiguration	CSIR	RSIR
Power supply (nominal)	220-240V/50Hz	220-240V/50Hz
Number of phases	1	1
Voltage range	198-254V	198-254V
Approvals	VDE, CCC	VDE, CCC
Starting torque	HST	LST
Note	- / -	

Applications with NLE11CNL

	Conf. 1	Conf. 2
Refrigerant	R290	R290
Application	LBP	LBP
System cooling	fan 3m/s	fan 3m/s
Hot gas defrost	OK	OK
Long interval pull down	OK	OK

Electrical data - Configurations with NLE11CNL

	Conf. 1	Conf. 2
Starting device type	relay	PTC
Run capacitor	- / -	- / -
Start capacitor	80μF	- / -
LRA (locked rotor amps / 4s)	13,8A	12,6A
RLA (rated load amps / 1s)	2,59A	2,59A
Cut in current	13,8A	17,1A

Model

Designation

NLE11CNL

220-240V/50Hz 1~

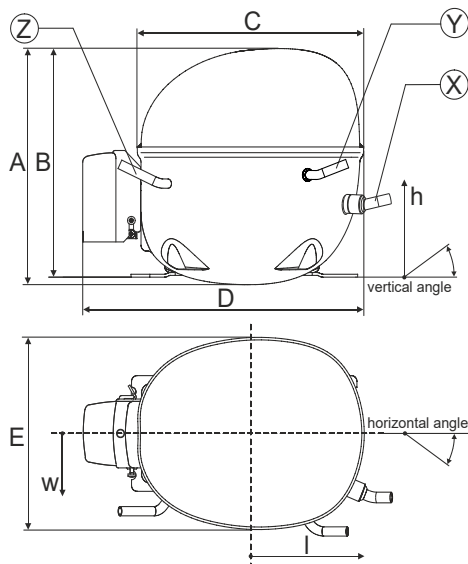
Sales code:

105H6174

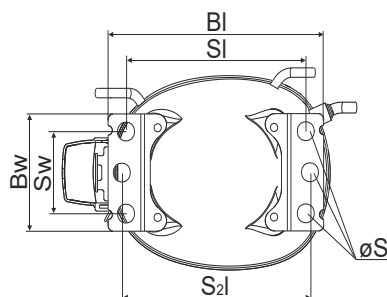
Compressor dimensions

Housing	A Height	203mm / 7,99in
	B Height	197mm / 7,76in
	C Length shell	205mm / 8,07in
	D Length w. cover	254mm / 10in
	E Width	166mm / 6,54in

Connectors		Suction	Discharge	Process
		X	Y	Z
Diameter	[mm]	øi 8,11-8,29	øi 6,11-6,29	øi 6,11-6,29
	(i:inside, o:outside) [in]	øi 0,32-0,33	øi 0,24-0,25	øi 0,24-0,25
Material		copper	copper	copper
Horizontal angle	±2°	0°	0°	0°
Vertical angle	±2°	15°	21°	155°
Position l/h/w	[mm]	132/69/57	94/102/81	-109/94/72
	[in]	5,2/2,7/2,2	3,7/4/3,2	-4,3/3,7/2,8
Straight tube l.	[mm]	12	12	12
	[in]	0,5	0,5	0,5



Compressor fixation



Baseplate	[mm]	[inch]
BI	204	8.03
BW	100	3.94
Small holes	[mm]	[inch]
SI	170	6.7
SW	70	2.76
S2l	178	7
øS	ø 16	ø 0.63

Bolt joint



Snap-on



Mounting accessories

	one comp.	multi pack
Bolt joint M6 ø16mm	118-1917	118-1918
Bolt joint ø1/4" ø16mm	118-1946	
Snap-on ø7,3 ø16mm	118-1947	118-1919

Application notes

Provision for PE Grounding is located at the PE Stamp on the compressor

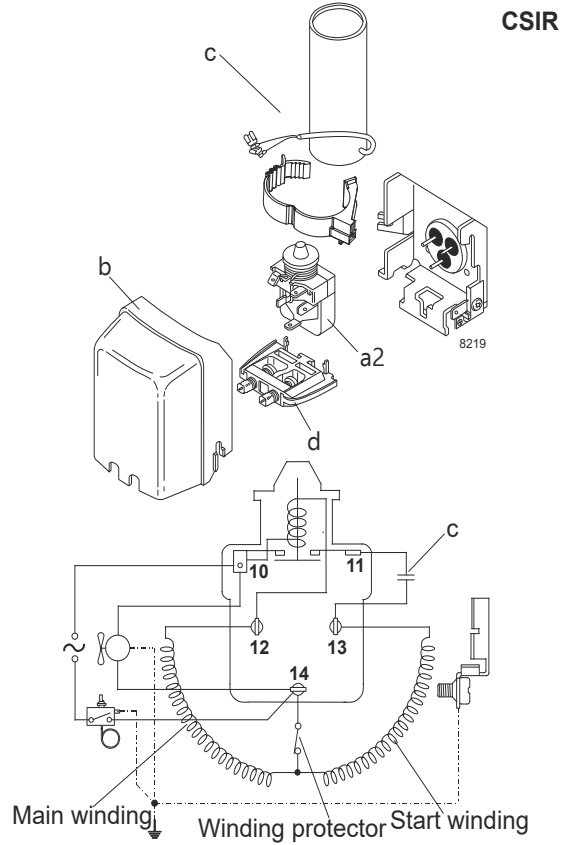
Model

Designation	NLE11CNL	220-240V/50Hz	Conf. 1	Sales code:	105H6174
-------------	-----------------	----------------------	---------	-------------	-----------------

Configuration

Motorconfiguration	CSIR
Power supply (nominal)	220-240V/50Hz 1~
Refrigerant	R290
Application	LBP
Voltage range	198-254V
Starting torque	HST
Approvals	VDE (2)
	CCC (1),(2)
(1):	Made in China
(2):	Made in Slovakia

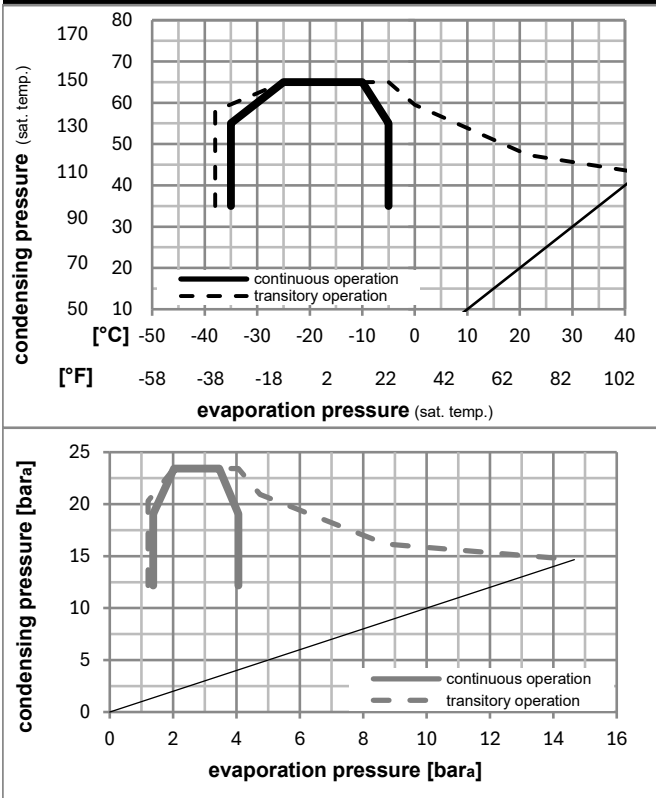
Electrical accessories / wiring diagram



Ambient/ machine room temperatures minimum /maximum

Ambient temperature range:	10 - 43°C / 50 - 110°F
Machine room temperature range:	10 - 48°C / 50 - 119°F
Compressor cooling:	fan 3m/s

Operation pressure range



Components

a2	relay	117U7003
c	start capacitor (80µF)	117U5015
b	plastic cover	103N2010
d	cord relief	103N1010

Alternative components

b	plastic cover	103N2011
---	---------------	----------

Model

Designation **NLE11CNL** **220-240V/50Hz** Conf. 1 Sales code: **105H6174**

Optimization + standard conditions

R290, 220V/50Hz, CSIR, fan 3m/s, VDE, CCC

	pe	pc	RGT	Tliq	Cooling capacity	COP	EER	P1	I	Ref. mass flow	
	[°C]	[°C]	[°C]	[°C]	[W]	[W/W]	[Btu/Wh]	[W]	[A]	[kg/h]	
ASHRAE LBP	-23	54	32	32	538,9	1,52	5,18	355,3	2,22	5,46	
	[°F]	[°F]	[°F]	[°F]	[Btu/h]	[kcal/h]	[kcal/Wh]	[W]	[A]	[kg/h]	
	-10	130	90	90	1840	463,8	1,31	355,3	2,22	5,46	
cecomaf LBP	-25	55	32	55	403,0	1,18	4,02	342,5	2,18	5,02	
	[°F]	[°F]	[°F]	[°F]	[W]	[W/W]	[Btu/Wh]	[W]	[A]	[kg/h]	
	-13	131	90	131	1376	346,8	1,01	342,5	2,18	5,02	
EN12900 LBP	-35	40	20	40	304,9	1,18	4,03	258,2	1,95	3,48	
	[°F]	[°F]	[°F]	[°F]	[W]	[W/W]	[Btu/Wh]	[W]	[A]	[kg/h]	
	-31	104	68	104	1041	262,4	1,02	258,2	1,95	3,48	
ARI540 LBP	-23	49	4,4	49	440,2	1,27	4,34	346,6	2,19	6,10	
	[°F]	[°F]	[°F]	[°F]	[W]	[W/W]	[Btu/Wh]	[W]	[A]	[kg/h]	
	-10	120	40	120	1503	378,9	1,09	346,6	2,19	6,10	
AHAM LBP	-23	41	32	32	589,5	1,77	6,06	332,4	2,15	5,97	
	[°F]	[°F]	[°F]	[°F]	[W]	[W/W]	[Btu/Wh]	[W]	[A]	[kg/h]	
	-10	105	90	90	2013	507,3	1,53	332,4	2,15	5,97	
opt	-35	45	32	45	291,4	1,11	3,80	262,0	1,96	3,27	
	[°F]	[°F]	[°F]	[°F]	[W]	[W/W]	[Btu/Wh]	[W]	[A]	[kg/h]	
	-31	113	90	113	995	250,8	0,96	262,0	1,96	3,27	

Performance tables

R290, 220V/50Hz, CSIR, fan 3m/s, VDE, CCC

	pe	Cooling capacity	COP	EER	P1	I	m
	[°C]	[W]	[W/W]	[Btu/Wh]	[W]	[A]	[kg/h]
[°C / °F]	-35	291,4	1,11	3,80	262,0	1,96	3,27
cond. pressure	-30	375,5	1,28	4,36	294,4	2,04	4,22
pc= 45/113	-25	477,1	1,45	4,96	328,6	2,14	5,38
return gas temp.	-23	515,7	1,51	5,17	340,5	2,18	5,82
RGT= 32/90	-20	596,6	1,64	5,60	364,0	2,25	6,76
liquid temp	-15	734,3	1,84	6,27	400,1	2,38	8,35
Tliq= 45/113	-5	1066,2	2,26	7,71	472,3	2,65	12,28
[°C / °F]	-35	242,7	0,91	3,10	267,6	1,97	3,00
cond. pressure	-30	314,8	1,04	3,54	303,5	2,06	3,91
pc= 55/131	-25	403,0	1,18	4,02	342,5	2,18	5,02
return gas temp	-23	436,6	1,22	4,18	356,5	2,23	5,44
RGT= 32/90	-20	507,4	1,32	4,51	384,3	2,32	6,35
liquid temp	-15	628,6	1,47	5,01	428,3	2,49	7,90
Tliq= 55/131	-5	922,4	1,77	6,05	521,0	2,85	11,75

Model

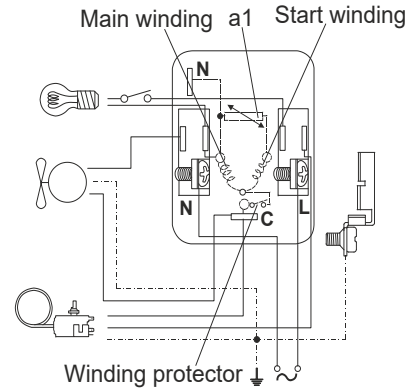
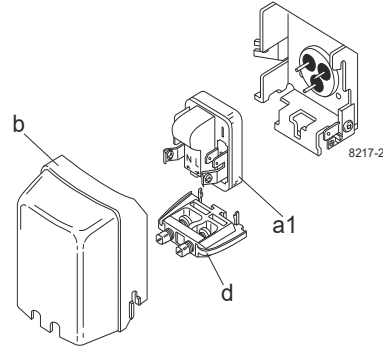
Designation	NLE11CNL	220-240V/50Hz	Conf. 2	Sales code:	105H6174
-------------	-----------------	----------------------	----------------	-------------	-----------------

Configuration

Motorconfiguration	RSIR
Power supply (nominal)	220-240V/50Hz 1~
Refrigerant	R290
Application	LBP
Voltage range	198-254V
Starting torque	LST
Approvals	VDE (2)
	CCC (1),(2)
(1):	Made in China
(2):	Made in Slovakia

Electrical accessories / wiring diagram

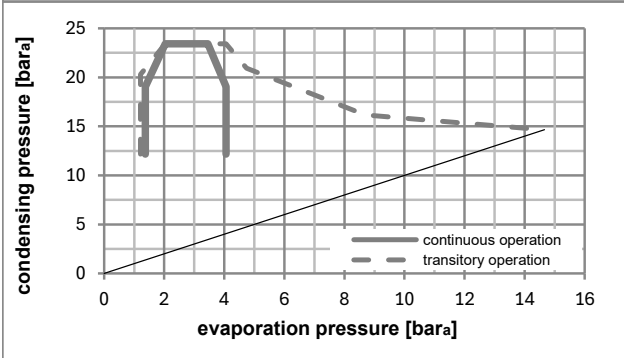
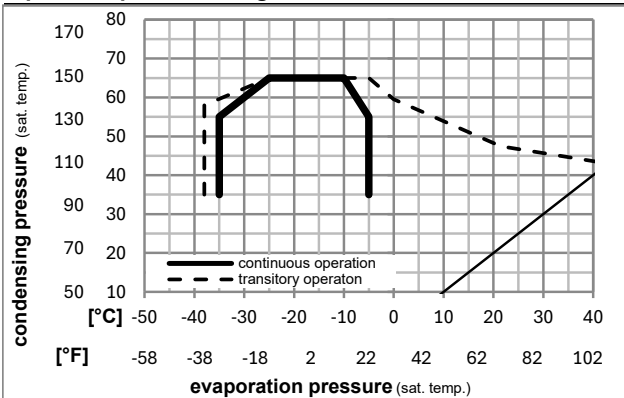
RSIR



Ambient/ machine room temperatures minimum /maximum

Ambient temperature range:	10 - 43°C / 50 - 110°F
Machine room temperature range:	10 - 48°C / 50 - 119°F
Compressor cooling:	fan 3m/s

Operation pressure range



Components

a1	e-PTC starter (220V, 25Ohm, 4.8mm)	103N0050
b	plastic cover	103N2010
d	cord relief	103N1010

Alternative components

b	plastic cover	103N2011
---	---------------	----------

Model

Designation	NLE11CNL	220-240V/50Hz	Conf. 2	Sales code:	105H6174
-------------	-----------------	----------------------	---------	-------------	-----------------

Optimization + standard conditions

R290, 220V/50Hz, RSIR, fan 3m/s, VDE, CCC

		Evaporating pressure (saturation temperature)				Cooling capacity			COP	EER	Power consumption				
		Condensing pressure (saturation temperature)		Return gas temp.	Liquid temp.	[W]	[Btu/h]	[kcal/h]	[W/W]	[Btu/Wh]	[kcal/Wh]	P1	I	Ref. mass flow	
[°C]	[°F]	pe	pc	RGT	Tliq							[W]	[A]	[kg/h]	
-23	-10	54	130	32	90	538,9	1840	463,8	1,52	5,18	1,31	355,3	2,22	5,46	ASHRAE LBP
-25	-13	55	131	32	90	403,0	1376	346,8	1,18	4,02	1,01	342,5	2,18	5,02	cecomaf LBP
-35	-31	40	104	20	68	304,9	1041	262,4	1,18	4,03	1,02	258,2	1,95	3,48	EN12900 LBP
-23	-10	49	120	4,4	40	440,2	1503	378,9	1,27	4,34	1,09	346,6	2,19	6,10	ARI540 LBP
-23	-10	41	105	32	90	589,5	2013	507,3	1,77	6,06	1,53	332,4	2,15	5,97	AHAM LBP
-35	-31	45	113	32	90	291,4	995	250,8	1,11	3,80	0,96	262,0	1,96	3,27	opt

Performance tables

R290, 220V/50Hz, RSIR, fan 3m/s, VDE, CCC

	pe		Cooling capacity			COP	EER	P1			I	m
	[°C]	[°F]	[W]	[Btu/h]	[kcal/h]	[W/W]	[Btu/Wh]	[kcal/Wh]	[W]	[A]	[kg/h]	
[°C / °F]	-35	-31	291,4	995	250,8	1,11	3,80	0,96	262,0	1,96	3,27	
cond. pressure	-30	-22	375,5	1282	323,1	1,28	4,36	1,10	294,4	2,04	4,22	
pc= 45/113	-25	-13	477,1	1629	410,6	1,45	4,96	1,25	328,6	2,14	5,38	
return gas temp.	-23	-10	515,7	1761	443,8	1,51	5,17	1,30	340,5	2,18	5,82	
RGT= 32/90	-20	-4	596,6	2037	513,4	1,64	5,60	1,41	364,0	2,25	6,76	
liquid temp	-15	5	734,3	2508	632,0	1,84	6,27	1,58	400,1	2,38	8,35	
Tliq= 45/113	-5	23	1066,2	3641	917,6	2,26	7,71	1,94	472,3	2,65	12,28	
[°C / °F]	-35	-31	242,7	829	208,9	0,91	3,10	0,78	267,6	1,97	3,00	
cond. pressure	-30	-22	314,8	1075	271,0	1,04	3,54	0,89	303,5	2,06	3,91	
pc= 55/131	-25	-13	403,0	1376	346,8	1,18	4,02	1,01	342,5	2,18	5,02	
return gas temp	-23	-10	436,6	1491	375,8	1,22	4,18	1,05	356,5	2,23	5,44	
RGT= 32/90	-20	-4	507,4	1733	436,7	1,32	4,51	1,14	384,3	2,32	6,35	
liquid temp	-15	5	628,6	2147	540,9	1,47	5,01	1,26	428,3	2,49	7,90	
Tliq= 55/131	-5	23	922,4	3150	793,9	1,77	6,05	1,52	521,0	2,85	11,75	

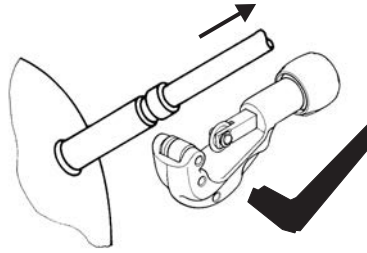
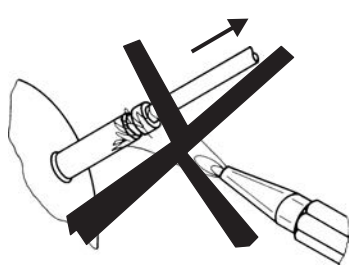


NL Compressors





Service/Repair – R600a, R290



8545

Brazing on Suction Connectors (Direct Intake)

representative image



**! max. 150°C/302°F !
at socket**
brazing solder: phosphor (LP7) or silver

Refer to Product Bulletin:
**Brazing on Suction Connectors
(Compressors with Direct Suction Intake)**

Secop accepts no responsibility for possible errors in catalogs, brochures, and other printed material. Secop reserves the right to alter its products without notice. This also applies to products already on order provided that such alterations can be made without subsequential changes being necessary to specifications already agreed. All trademarks in this material are the property of the respective companies. Secop and the Secop logotype are trademarks of Secop GmbH. All rights reserved. www.secop.com