

Single Pack TL3G 220-240V 50Hz / 208-230V 60Hz CSIR

Codice Imballo Singolo: **195B4242**

| Posizione | Titolo | Codice | Quantità |
|-----------|---|----------|----------|
| 1 | Compressor TL3G | 102G4350 | 1 |
| 2 | Starting relay | 117U6009 | 1 |
| 3 | Starting capacitor (60 μ F 220V, 6.3mm) | 117U5014 | 1 |
| 4 | Cord relief | 103N1010 | 1 |
| 5 | Cover | 103N2010 | 1 |
| 6 | Bolt joint for one compressor M6 \varnothing 16mm | 118-1917 | 1 |

Secop GmbH • Lise-Meitner-Straße 29 • 24941 Flensburg, Germany • Tel: +49 46149410 • www.secop.com

Secop non si assume alcuna responsabilità per eventuali errori presenti in cataloghi, brochure e altro materiale stampato. Secop si riserva il diritto di modificare i propri prodotti senza preavviso. Ciò vale anche per i prodotti già ordinati, a condizione che tali modifiche possano essere apportate senza che siano necessarie modifiche successive alle specifiche già concordate. Tutti i marchi presenti in questo materiale sono di proprietà delle rispettive aziende. Secop e il logo Secop sono marchi di Secop GmbH. Tutti i diritti sono riservati.

Model

| | | | | |
|-------------|-------------|-----------------------------------|-------------|-----------------|
| Designation | TL3G | 220-240V/50Hz 1~ 208-230V/60Hz 1~ | Sales code: | 102G4350 |
|-------------|-------------|-----------------------------------|-------------|-----------------|

Compressor design

| | | | |
|----------------------------|---------------------------------|-----------------------|---------------------------------|
| Oil type | Polyolester | Refrigerant(s) | R134a, R513A |
| Oil viscosity | 15cST | Displacement | 3,13cm ³ / 0,19cu.in |
| Oil quantity | 285cm ³ / 9,7fl.oz | Compressors on pallet | 125 |
| Refr. charge - tech. limit | 400g / 14,1oz | | |
| Free gas volume comp. | 1500cm ³ / 50,7fl.oz | | |
| Weight | 6,8kg / 15lbs | | |
| Motor protection | 1# internal | | |
| Winding resistance main | 24,6Ω (at 25°C) | | |
| Winding resistance aux | 15,8Ω (at 25°C) | | |
| Max. winding temp. | 125°C / 257°F | | |
| Max. discharge temp. | 130°C / 266°F | | |



General - Configurations with TL3G

| | Conf. 1 | Conf. 2 | Conf. 3 | Conf. 4 |
|------------------------|-----------------------------|-----------------------------|-----------------------------|-----------------------------|
| Motorconfiguration | CSIR | RSIR | CSIR | RSIR |
| Power supply (nominal) | 220-240V/50Hz | 220-240V/50Hz | 208-230V/60Hz | 208-230V/60Hz |
| Number of phases | 1 | 1 | 1 | 1 |
| Voltage range | 187-254V | 187-254V | 198-254V | 198-254V |
| Approvals | CCC, EAC, UL, EN 60335-2-34 | CCC, EAC, UL, EN 60335-2-34 | CCC, EAC, UL, EN 60335-2-34 | CCC, EAC, UL, EN 60335-2-34 |
| Starting torque | HST | LST | HST | LST |
| Note | - / - | | | |

Applications with TL3G

| | Conf. 1 | Conf. 2 | Conf. 3 | Conf. 4 |
|-------------------------|----------------|----------------|----------------|----------------|
| Refrigerant | R134a | R134a | R134a | R134a |
| Application | LBP+MBP+HBP | LBP+MBP+HBP | LBP | LBP |
| System cooling | static | static | static | static |
| Hot gas defrost | OK | OK | OK | OK |
| Long interval pull down | OK | OK | OK | OK |

Electrical data - Configurations with TL3G

| | Conf. 1 | Conf. 2 | Conf. 3 | Conf. 4 |
|------------------------------|----------------|----------------|----------------|----------------|
| Starting device type | relay | PTC | relay | PTC |
| Run capacitor | -/- | -/- | -/- | -/- |
| Start capacitor | 60μF | -/- | 60μF | -/- |
| LRA (locked rotor amps / 4s) | 4,8A | 3,4A | -A | -A |
| RLA (rated load amps / 1s) | 0,8A | 0,8A | -A | -A |
| Cut in current | 8,3A | 8,3A | -A | -A |

Model

Designation

TL3G

220-240V/50Hz 1~ 208-230V/60Hz 1~

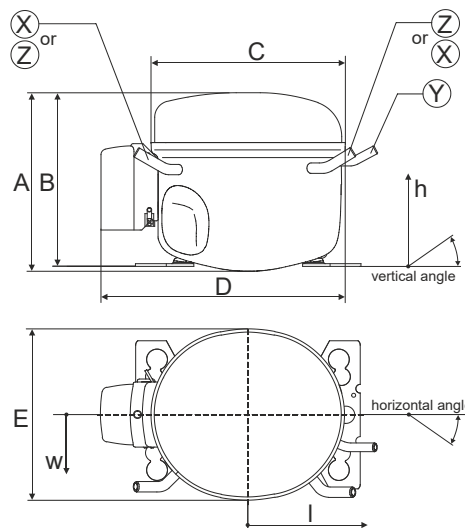
Sales code:

102G4350

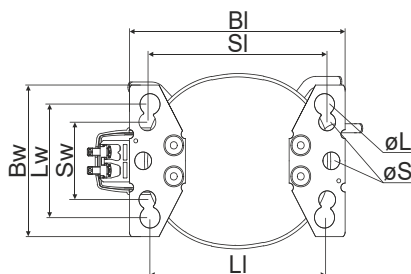
Compressor dimensions

| | | |
|----------------|-------------------|----------------|
| Housing | A Height | 163mm / 6,42in |
| | B Height | 159mm / 6,26in |
| | C Length shell | 176mm / 6,93in |
| | D Length w. cover | 222mm / 8,74in |
| | E Width | 157mm / 6,18in |

| Connectors | | Suction | Discharge | Process |
|------------------|----------------------------|--------------|--------------|--------------|
| | | X | Y | Z |
| Diameter | [mm] | øi 6,11-6,29 | øi 5,12-5,22 | øi 6,11-6,29 |
| | (i:inside, o:outside) [in] | øi 0,24-0,25 | øi 0,2-0,21 | øi 0,24-0,25 |
| Material | | copper | copper | copper |
| Horizontal angle | ±2° | 0° | 0° | 0° |
| Vertical angle | ±2° | 150° | 28° | 31,5° |
| Position l/h/w | [mm] | -102/105/66 | 117/108/30 | 96/105/71 |
| | [in] | -4/4,1/2,6 | 4,6/4,3/1,2 | 3,8/4,1/2,8 |
| Straight tube l. | [mm] | 12 | 12 | 12 |
| | [in] | 0,5 | 0,5 | 0,5 |

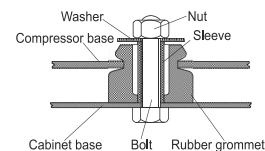


Compressor fixation

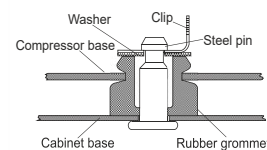


| Baseplate | [mm] | [inch] |
|-------------|-------|--------|
| BI | 204 | 8.03 |
| Bw | 136 | 5.35 |
| Large holes | | |
| LI | 165 | 6.5 |
| Lw | 101.6 | 4 |
| øL | ø 19 | ø 0.75 |
| Small holes | | |
| SI | 170 | 6.7 |
| Sw | 70 | 2.76 |
| øS | ø 16 | ø 0.63 |

Bolt joint



Snap-on



Mounting accessories

| | one comp. | multi pack |
|----------------------------|-----------|------------|
| Bolt joint M6 ø16mm | 118-1917 | 118-1918 |
| Bolt joint ø1/4" ø16mm | 118-1946 | |
| Snap-on ø7,3 ø16mm | 118-1947 | 118-1919 |

Application notes

LRA value on compressor label and datasheet may differ due to different test conditions for UL approval.

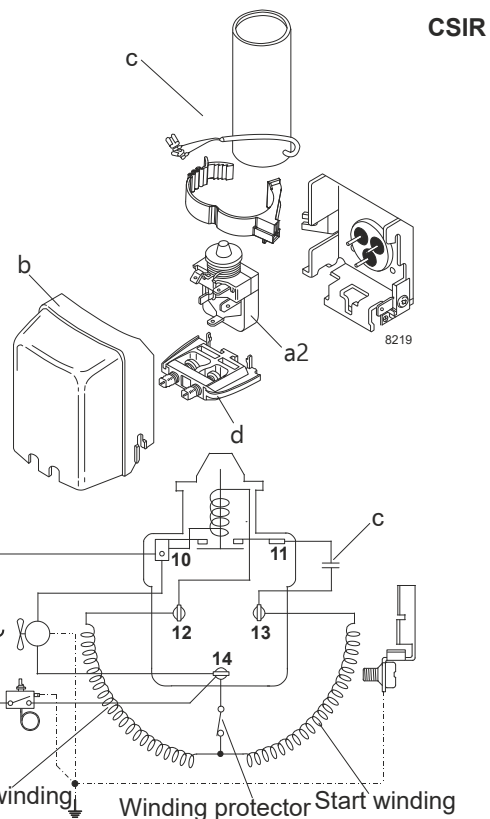
Model

| | | | | | |
|-------------|-------------|----------------------|----------------|-------------|-----------------|
| Designation | TL3G | 220-240V/50Hz | Conf. 1 | Sales code: | 102G4350 |
|-------------|-------------|----------------------|----------------|-------------|-----------------|

Configuration

| | |
|------------------------|-----------------------------------|
| Motorconfiguration | CSIR |
| Power supply (nominal) | 220-240V/50Hz 1~ |
| Refrigerant | R134a |
| Application | LBP+MBP+HBP |
| Voltage range | 187-254V |
| Starting torque | HST |
| Approvals | CCC EAC UL EN 60335-2-34 |

Electrical accessories / wiring diagram

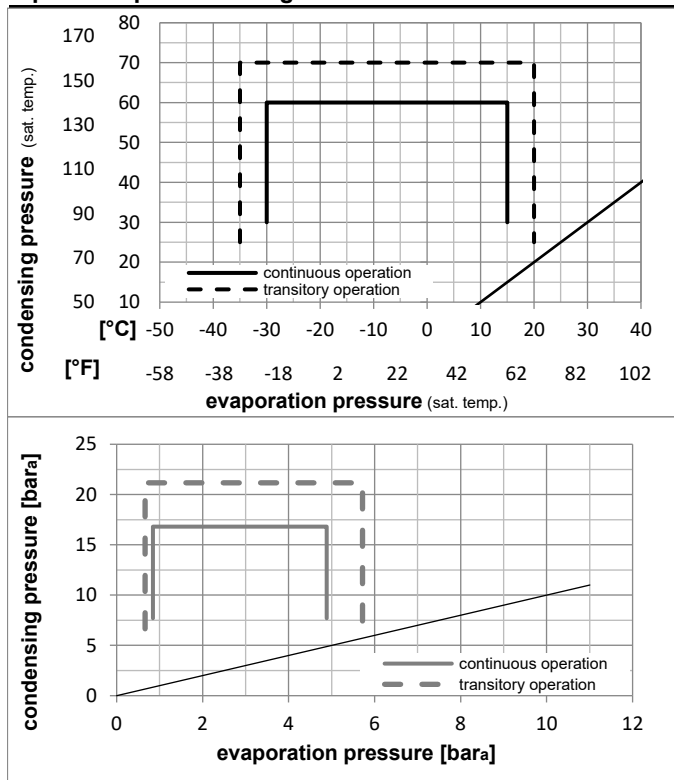


Ambient temperatures / system cooling

| | |
|---------------------------|--------------|
| Ambient temperature min.: | 10°C / 50°F |
| Ambient temperature max.: | 43°C / 110°F |

| System cooling (n/a: outside limits) | | | |
|--------------------------------------|--------|--------|----------|
| T ambient | LBP | MBP | HBP |
| 32°C / 90°F | static | static | fan 3m/s |
| 38°C / 100°F | static | static | fan 3m/s |
| 43°C / 110°F | static | static | fan 3m/s |

Operation pressure range



Components

| | | |
|----|------------------------|----------|
| a2 | assy. relay | 117U6009 |
| c | start capacitor (60μF) | 117U5014 |
| b | plastic cover | 103N2010 |
| d | cord relief | 103N1010 |

Alternative components

| | | |
|---|---------------|----------|
| b | plastic cover | 103N2011 |
|---|---------------|----------|

Model

| | | | | | |
|-------------|-------------|----------------------|----------------|-------------|-----------------|
| Designation | TL3G | 220-240V/50Hz | Conf. 1 | Sales code: | 102G4350 |
|-------------|-------------|----------------------|----------------|-------------|-----------------|

Optimization + standard conditions

R134a, 220V/50Hz, CSIR, static, CCC, EAC, UL, EN 60335-2-34

| | Evaporating pressure (saturation temperature) | | | | Condensing pressure (saturation temperature) | | | Return gas temp. | Liquid temp. | Cooling capacity | COP | EER | Power consumption | | | ASHRAE / EN |
|--|---|------|------|------|--|---------|----------|------------------|--------------|------------------|-------|------|-------------------|-------------|----------------|-------------|
| | pe | pc | RGT | Tliq | [W] | [Btu/h] | [kcal/h] | | | | | | P1 | I | Ref. mass flow | |
| | [°C] | [°F] | [°C] | [°F] | [W] | [Btu/h] | [kcal/h] | [W/W] | [Btu/Wh] | [kcal/Wh] | [W] | [A] | [kg/h] | | | |
| | -23 | 54 | 32 | 32 | 58,3 | 199 | 50,1 | 0,85 | 2,90 | 0,73 | 68,6 | 0,70 | 1,13 | ASHRAE LBP | | |
| | -10 | 130 | 90 | 90 | | | | | | | | | | | | |
| | -7 | 54 | 35 | 46 | 139,2 | 475 | 119,8 | 1,34 | 4,59 | 1,16 | 103,6 | 0,79 | 3,04 | ASHRAE MBP | | |
| | 20 | 130 | 95 | 115 | | | | | | | | | | | | |
| | 7,2 | 54 | 35 | 46 | 257,1 | 878 | 221,3 | 1,86 | 6,36 | 1,60 | 138,0 | 0,89 | 5,70 | ASHRAE HBP | | |
| | 45 | 130 | 95 | 115 | | | | | | | | | | | | |
| | -35 | 40 | 20 | 40 | 30,0 | 102 | 25,8 | 0,59 | 2,02 | 0,51 | 50,7 | 0,67 | 0,66 | EN12900 LBP | | |
| | -31 | 104 | 68 | 104 | | | | | | | | | | | | |
| | -10 | 45 | 20 | 45 | 126,8 | 433 | 109,2 | 1,36 | 4,66 | 1,17 | 93,0 | 0,75 | 2,97 | EN12900 MBP | | |
| | 14 | 113 | 68 | 113 | | | | | | | | | | | | |
| | 5 | 50 | 20 | 50 | 223,6 | 764 | 192,5 | 1,74 | 5,95 | 1,50 | 128,4 | 0,86 | 5,64 | EN12900 HBP | | |
| | 41 | 122 | 68 | 122 | | | | | | | | | | | | |

Performance tables

R134a, 220V/50Hz, CSIR, static, CCC, EAC, UL, EN 60335-2-34

| | pe | | Cooling capacity | | | COP | EER | P1 | I | m | |
|------------------|------|------|------------------|---------|----------|------|------|------|-------|------|------|
| | [°C] | [°F] | [W] | [Btu/h] | [kcal/h] | | | | | | |
| [°C / °F] | -30 | -22 | 39,1 | 133 | 33,6 | 0,68 | 2,34 | 0,59 | 57,1 | 0,68 | 0,84 |
| cond. pressure | -25 | -13 | 56,2 | 192 | 48,4 | 0,86 | 2,95 | 0,74 | 65,0 | 0,69 | 1,22 |
| pc= 45/113 | -15 | 5 | 101,9 | 348 | 87,7 | 1,23 | 4,19 | 1,06 | 83,1 | 0,73 | 2,22 |
| return gas temp. | -10 | 14 | 131,6 | 449 | 113,3 | 1,41 | 4,83 | 1,22 | 93,0 | 0,75 | 2,88 |
| RGT= 32/90 | 0 | 32 | 207,9 | 710 | 178,9 | 1,82 | 6,23 | 1,57 | 113,9 | 0,81 | 4,60 |
| liquid temp | 5 | 41 | 255,7 | 873 | 220,0 | 2,05 | 7,00 | 1,76 | 124,7 | 0,85 | 5,69 |
| Tliq= 45/113 | 15 | 59 | 373,7 | 1276 | 321,6 | 2,55 | 8,73 | 2,20 | 146,3 | 0,93 | 8,46 |
| [°C / °F] | -30 | -22 | 25,3 | 87 | 21,8 | 0,44 | 1,50 | 0,38 | 57,7 | 0,68 | 0,60 |
| cond. pressure | -25 | -13 | 40,9 | 140 | 35,2 | 0,62 | 2,12 | 0,53 | 65,8 | 0,70 | 0,98 |
| pc= 55/131 | -15 | 5 | 80,5 | 275 | 69,3 | 0,95 | 3,23 | 0,81 | 85,2 | 0,74 | 1,94 |
| return gas temp | -10 | 14 | 105,8 | 361 | 91,0 | 1,10 | 3,76 | 0,95 | 96,2 | 0,77 | 2,56 |
| RGT= 32/90 | 0 | 32 | 170,4 | 582 | 146,7 | 1,42 | 4,85 | 1,22 | 120,1 | 0,84 | 4,17 |
| liquid temp | 5 | 41 | 211,0 | 721 | 181,6 | 1,59 | 5,42 | 1,37 | 132,8 | 0,88 | 5,20 |
| Tliq= 55/131 | 15 | 59 | 311,7 | 1065 | 268,3 | 1,96 | 6,69 | 1,69 | 159,1 | 0,97 | 7,83 |

Model

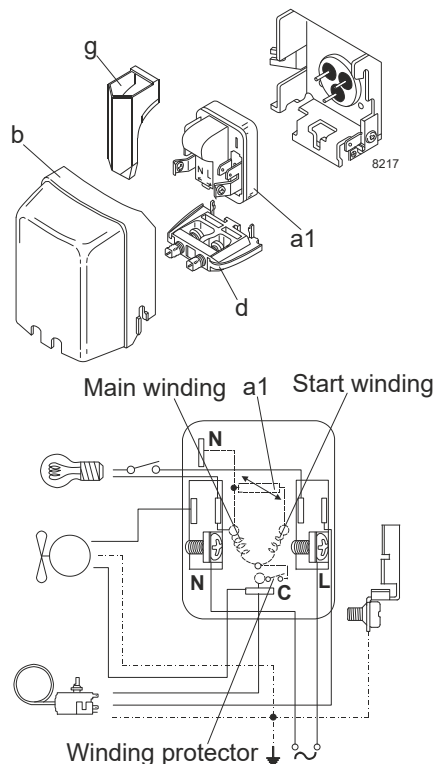
| | | | | | |
|-------------|-------------|----------------------|----------------|-------------|-----------------|
| Designation | TL3G | 220-240V/50Hz | Conf. 2 | Sales code: | 102G4350 |
|-------------|-------------|----------------------|----------------|-------------|-----------------|

Configuration

| | |
|------------------------|-----------------------------------|
| Motorconfiguration | RSIR |
| Power supply (nominal) | 220-240V/50Hz 1~ |
| Refrigerant | R134a |
| Application | LBP+MBP+HBP |
| Voltage range | 187-254V |
| Starting torque | LST |
| Approvals | CCC EAC UL EN 60335-2-34 |

Electrical accessories / wiring diagram

RSIR

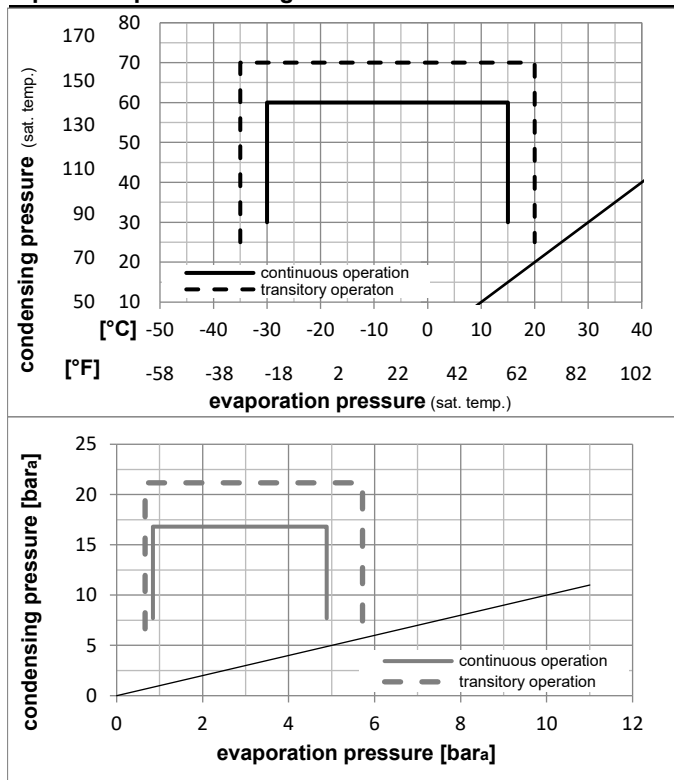


Ambient temperatures / system cooling

| | |
|---------------------------|--------------|
| Ambient temperature min.: | 10°C / 50°F |
| Ambient temperature max.: | 43°C / 110°F |

| System cooling (n/a: outside limits) | | | |
|--------------------------------------|--------|--------|----------|
| T ambient | LBP | MBP | HBP |
| 32°C / 90°F | static | static | fan 3m/s |
| 38°C / 100°F | static | static | fan 3m/s |
| 43°C / 110°F | static | static | fan 3m/s |

Operation pressure range



Components

| | | |
|----|----------------------------------|----------|
| a1 | PTC starter (220V, 250hm, 4.8mm) | 103N0018 |
| b | plastic cover | 103N2010 |
| d | cord relief | 103N1010 |
| g | protection screen for PTC | 103N0476 |

Alternative components

| | | |
|----|----------------------------------|----------|
| a1 | PTC starter (220V, 250hm, 6.3mm) | 103N0011 |
| b | plastic cover | 103N2011 |
| d | cord relief | 103N1010 |
| g | protection screen for PTC | 103N0476 |

Model

Designation **TL3G** **220-240V/50Hz** Conf. 2 Sales code: **102G4350**

Optimization + standard conditions

R134a, 220V/50Hz, RSIR, static, CCC, EAC, UL, EN 60335-2-34

| | | Evaporating pressure (saturation temperature) | | | | Condensing pressure (saturation temperature) | | | | | | Power consumption | | | |
|------|-----|---|----|--------------|-------|--|---------|----------|-------|----------|-----------|-------------------|----------------|-------------|--|
| | | Return gas temp. | | Liquid temp. | | Cooling capacity | | COP | EER | | P1 | I | Ref. mass flow | | |
| | | pe | pc | RGT | Tliq | [W] | [Btu/h] | [kcal/h] | [W/W] | [Btu/Wh] | [kcal/Wh] | [W] | [A] | [kg/h] | |
| [°C] | -23 | 54 | 32 | 32 | 58,3 | 199 | 50,1 | 0,85 | 2,90 | 0,73 | 68,6 | 0,70 | 1,13 | ASHRAE LBP | |
| [°F] | -10 | 130 | 90 | 90 | | | | | | | | | | | |
| [°C] | -7 | 54 | 35 | 46 | 139,2 | 475 | 119,8 | 1,34 | 4,59 | 1,16 | 103,6 | 0,79 | 3,04 | ASHRAE MBP | |
| [°F] | 20 | 130 | 95 | 115 | | | | | | | | | | | |
| [°C] | 7,2 | 54 | 35 | 46 | 257,1 | 878 | 221,3 | 1,86 | 6,36 | 1,60 | 138,0 | 0,89 | 5,70 | ASHRAE HBP | |
| [°F] | 45 | 130 | 95 | 115 | | | | | | | | | | | |
| [°C] | -35 | 40 | 20 | 40 | 30,0 | 102 | 25,8 | 0,59 | 2,02 | 0,51 | 50,7 | 0,67 | 0,66 | EN12900 LBP | |
| [°F] | -31 | 104 | 68 | 104 | | | | | | | | | | | |
| [°C] | -10 | 45 | 20 | 45 | 126,8 | 433 | 109,2 | 1,36 | 4,66 | 1,17 | 93,0 | 0,75 | 2,97 | EN12900 MBP | |
| [°F] | 14 | 113 | 68 | 113 | | | | | | | | | | | |
| [°C] | 5 | 50 | 20 | 50 | 223,6 | 764 | 192,5 | 1,74 | 5,95 | 1,50 | 128,4 | 0,86 | 5,64 | EN12900 HBP | |
| [°F] | 41 | 122 | 68 | 122 | | | | | | | | | | | |

Performance tables

R134a, 220V/50Hz, RSIR, static, CCC, EAC, UL, EN 60335-2-34

| | pe | | Cooling capacity | | | COP | EER | P1 | I | m | |
|------------------|------|------|------------------|---------|----------|-------|----------|-----------|-------|------|--------|
| | [°C] | [°F] | [W] | [Btu/h] | [kcal/h] | [W/W] | [Btu/Wh] | [kcal/Wh] | [W] | [A] | [kg/h] |
| [°C / °F] | -30 | -22 | 39,1 | 133 | 33,6 | 0,68 | 2,34 | 0,59 | 57,1 | 0,68 | 0,84 |
| cond. pressure | -25 | -13 | 56,2 | 192 | 48,4 | 0,86 | 2,95 | 0,74 | 65,0 | 0,69 | 1,22 |
| pc= 45/113 | -15 | 5 | 101,9 | 348 | 87,7 | 1,23 | 4,19 | 1,06 | 83,1 | 0,73 | 2,22 |
| return gas temp. | -10 | 14 | 131,6 | 449 | 113,3 | 1,41 | 4,83 | 1,22 | 93,0 | 0,75 | 2,88 |
| RGT= 32/90 | 0 | 32 | 207,9 | 710 | 178,9 | 1,82 | 6,23 | 1,57 | 113,9 | 0,81 | 4,60 |
| liquid temp | 5 | 41 | 255,7 | 873 | 220,0 | 2,05 | 7,00 | 1,76 | 124,7 | 0,85 | 5,69 |
| Tliq= 45/113 | 15 | 59 | 373,7 | 1276 | 321,6 | 2,55 | 8,73 | 2,20 | 146,3 | 0,93 | 8,46 |
| [°C / °F] | -30 | -22 | 25,3 | 87 | 21,8 | 0,44 | 1,50 | 0,38 | 57,7 | 0,68 | 0,60 |
| cond. pressure | -25 | -13 | 40,9 | 140 | 35,2 | 0,62 | 2,12 | 0,53 | 65,8 | 0,70 | 0,98 |
| pc= 55/131 | -15 | 5 | 80,5 | 275 | 69,3 | 0,95 | 3,23 | 0,81 | 85,2 | 0,74 | 1,94 |
| return gas temp | -10 | 14 | 105,8 | 361 | 91,0 | 1,10 | 3,76 | 0,95 | 96,2 | 0,77 | 2,56 |
| RGT= 32/90 | 0 | 32 | 170,4 | 582 | 146,7 | 1,42 | 4,85 | 1,22 | 120,1 | 0,84 | 4,17 |
| liquid temp | 5 | 41 | 211,0 | 721 | 181,6 | 1,59 | 5,42 | 1,37 | 132,8 | 0,88 | 5,20 |
| Tliq= 55/131 | 15 | 59 | 311,7 | 1065 | 268,3 | 1,96 | 6,69 | 1,69 | 159,1 | 0,97 | 7,83 |

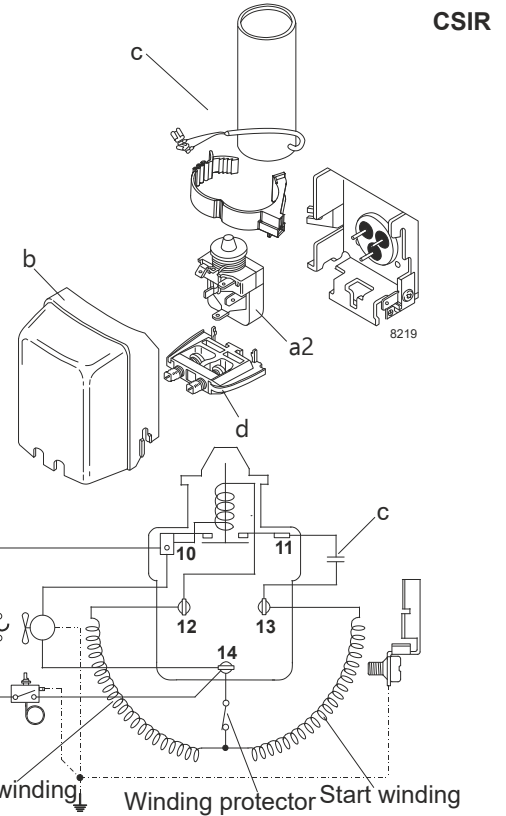
Model

| | | | | | |
|-------------|-------------|----------------------|----------------|-------------|-----------------|
| Designation | TL3G | 208-230V/60Hz | Conf. 3 | Sales code: | 102G4350 |
|-------------|-------------|----------------------|----------------|-------------|-----------------|

Configuration

| | |
|------------------------|-----------------------------------|
| Motorconfiguration | CSIR |
| Power supply (nominal) | 208-230V/60Hz 1~ |
| Refrigerant | R134a |
| Application | LBP |
| Voltage range | 198-254V |
| Starting torque | HST |
| Approvals | CCC EAC UL EN 60335-2-34 |

Electrical accessories / wiring diagram

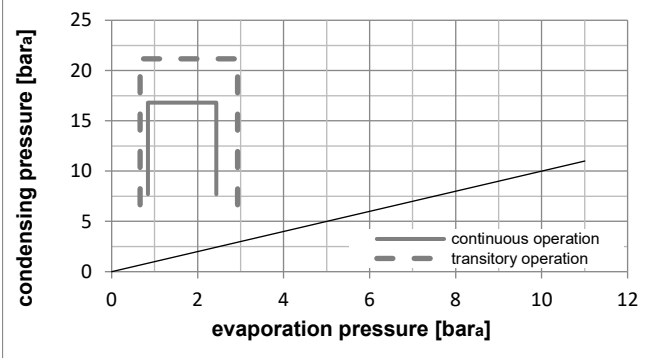
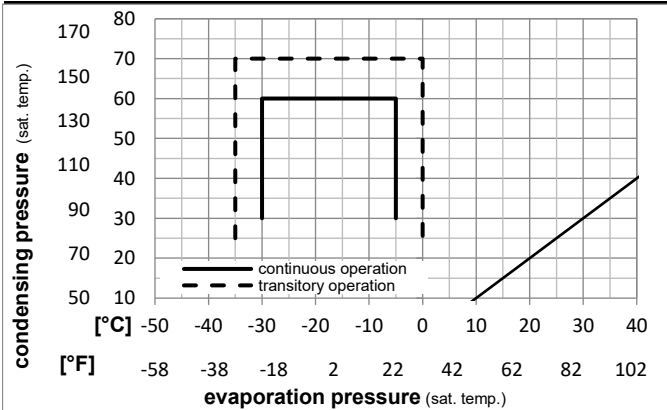


Ambient temperatures / system cooling

| | |
|---------------------------|--------------|
| Ambient temperature min.: | 10°C / 50°F |
| Ambient temperature max.: | 43°C / 110°F |

| System cooling (n/a: outside limits) | | | |
|--------------------------------------|--------|-----|-----|
| T ambient | LBP | MBP | HBP |
| 32°C / 90°F | static | n/a | n/a |
| 38°C / 100°F | static | n/a | n/a |
| 43°C / 110°F | static | n/a | n/a |

Operation pressure range



Components

| | | |
|----|------------------------|----------|
| a2 | assy. relay | 117U6009 |
| c | start capacitor (60μF) | 117U5014 |
| b | plastic cover | 103N2010 |
| d | cord relief | 103N1010 |

Alternative components

| | | |
|---|---------------|----------|
| b | plastic cover | 103N2011 |
|---|---------------|----------|

Model

| | | | | | |
|-------------|-------------|----------------------|----------------|-------------|-----------------|
| Designation | TL3G | 208-230V/60Hz | Conf. 3 | Sales code: | 102G4350 |
|-------------|-------------|----------------------|----------------|-------------|-----------------|

Optimization + standard conditions

R134a, 220V/60Hz, CSIR, static, CCC, EAC, UL, EN 60335-2-34

| | | Evaporating pressure (saturation temperature) | | | | Condensing pressure (saturation temperature) | | | | | | Power consumption | | | |
|------|-----|---|----|--------------|-------|--|---------|----------|-------|----------|-----------|---------------------|------|----------------|--|
| | | Return gas temp. | | Liquid temp. | | Cooling capacity | | COP | EER | | P1 | Current consumption | | Ref. mass flow | |
| | | pe | pc | RGT | Tliq | [W] | [Btu/h] | [kcal/h] | [W/W] | [Btu/Wh] | [kcal/Wh] | [W] | [A] | [kg/h] | |
| [°C] | -23 | 54 | 32 | 32 | 67,5 | 231 | 58,1 | 0,92 | 3,15 | 0,79 | 73,2 | 0,64 | 1,31 | ASHRAE LBP | |
| [°F] | -10 | 130 | 90 | 90 | | | | | | | | | | | |
| [°C] | -7 | 54 | 35 | 46 | 164,6 | 562 | 141,6 | 1,35 | 4,59 | 1,16 | 122,3 | 0,77 | 3,59 | ASHRAE MBP | |
| [°F] | 20 | 130 | 95 | 115 | | | | | | | | | | | |
| [°C] | 7,2 | 54 | 35 | 46 | 304,4 | 1040 | 262,0 | 1,67 | 5,71 | 1,44 | 182,1 | 0,91 | 6,75 | ASHRAE HBP | |
| [°F] | 45 | 130 | 95 | 115 | | | | | | | | | | | |
| [°C] | -35 | 40 | 20 | 40 | 34,9 | 119 | 30,1 | 0,65 | 2,22 | 0,56 | 53,8 | 0,57 | 0,77 | EN12900 LBP | |
| [°F] | -31 | 104 | 68 | 104 | | | | | | | | | | | |
| [°C] | -10 | 45 | 20 | 45 | 145,5 | 497 | 125,2 | 1,38 | 4,72 | 1,19 | 105,2 | 0,73 | 3,41 | EN12900 MBP | |
| [°F] | 14 | 113 | 68 | 113 | | | | | | | | | | | |
| [°C] | 5 | 50 | 20 | 50 | 258,1 | 882 | 222,1 | 1,58 | 5,38 | 1,36 | 163,9 | 0,88 | 6,50 | EN12900 HBP | |
| [°F] | 41 | 122 | 68 | 122 | | | | | | | | | | | |

Performance tables

R134a, 220V/60Hz, CSIR, static, CCC, EAC, UL, EN 60335-2-34

| | pe | | Cooling capacity | | | COP | EER | | P1 | I | m |
|------------------|------|------|------------------|---------|----------|-------|----------|-----------|-------|------|--------|
| | [°C] | [°F] | [W] | [Btu/h] | [kcal/h] | [W/W] | [Btu/Wh] | [kcal/Wh] | [W] | [A] | [kg/h] |
| [°C / °F] | -30 | -22 | 45,3 | 155 | 38,9 | 0,75 | 2,58 | 0,65 | 60,0 | 0,60 | 0,98 |
| cond. pressure | -25 | -13 | 65,1 | 222 | 56,0 | 0,94 | 3,22 | 0,81 | 68,9 | 0,62 | 1,41 |
| pc= 45/113 | -23 | -10 | 72,7 | 248 | 62,6 | 1,00 | 3,43 | 0,86 | 72,3 | 0,63 | 1,58 |
| return gas temp. | -20 | -4 | 88,9 | 304 | 76,5 | 1,12 | 3,82 | 0,96 | 79,4 | 0,66 | 1,93 |
| RGT= 32/90 | -15 | 5 | 117,4 | 401 | 101,0 | 1,28 | 4,38 | 1,10 | 91,5 | 0,69 | 2,56 |
| liquid temp | -10 | 14 | 151,0 | 516 | 129,9 | 1,44 | 4,90 | 1,24 | 105,2 | 0,73 | 3,30 |
| Tliq= 45/113 | -5 | 23 | 190,3 | 650 | 163,8 | 1,58 | 5,39 | 1,36 | 120,7 | 0,78 | 4,19 |
| [°C / °F] | -30 | -22 | 29,5 | 101 | 25,4 | 0,49 | 1,68 | 0,42 | 60,0 | 0,60 | 0,70 |
| cond. pressure | -25 | -13 | 47,4 | 162 | 40,8 | 0,68 | 2,32 | 0,58 | 69,7 | 0,63 | 1,13 |
| pc= 55/131 | -23 | -10 | 54,3 | 185 | 46,7 | 0,74 | 2,52 | 0,64 | 73,5 | 0,64 | 1,30 |
| return gas temp | -20 | -4 | 68,9 | 235 | 59,3 | 0,85 | 2,89 | 0,73 | 81,4 | 0,66 | 1,65 |
| RGT= 32/90 | -15 | 5 | 94,6 | 323 | 81,4 | 0,99 | 3,39 | 0,86 | 95,2 | 0,70 | 2,28 |
| liquid temp | -10 | 14 | 125,1 | 427 | 107,7 | 1,13 | 3,85 | 0,97 | 111,1 | 0,74 | 3,03 |
| Tliq= 55/131 | -5 | 23 | 160,9 | 550 | 138,5 | 1,25 | 4,25 | 1,07 | 129,2 | 0,79 | 3,91 |

Model

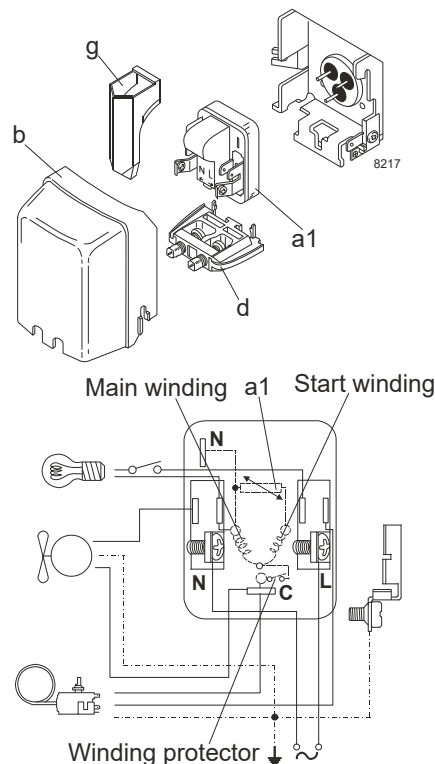
| | | | | | |
|-------------|-------------|----------------------|----------------|-------------|-----------------|
| Designation | TL3G | 208-230V/60Hz | Conf. 4 | Sales code: | 102G4350 |
|-------------|-------------|----------------------|----------------|-------------|-----------------|

Configuration

| | |
|------------------------|-----------------------------------|
| Motorconfiguration | RSIR |
| Power supply (nominal) | 208-230V/60Hz 1~ |
| Refrigerant | R134a |
| Application | LBP |
| Voltage range | 198-254V |
| Starting torque | LST |
| Approvals | CCC EAC UL EN 60335-2-34 |

Electrical accessories / wiring diagram

RSIR

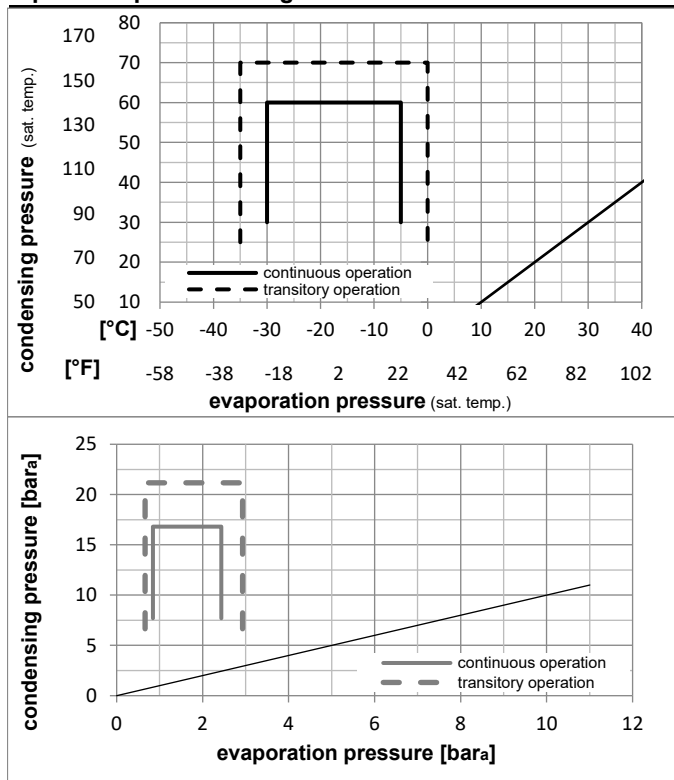


Ambient temperatures / system cooling

| | |
|---------------------------|--------------|
| Ambient temperature min.: | 10°C / 50°F |
| Ambient temperature max.: | 43°C / 110°F |

| System cooling (n/a: outside limits) | | | |
|--------------------------------------|--------|-----|-----|
| T ambient | LBP | MBP | HBP |
| 32°C / 90°F | static | n/a | n/a |
| 38°C / 100°F | static | n/a | n/a |
| 43°C / 110°F | static | n/a | n/a |

Operation pressure range



Components

| | | |
|----|----------------------------------|----------|
| a1 | PTC starter (220V, 250hm, 4.8mm) | 103N0018 |
| b | plastic cover | 103N2010 |
| d | cord relief | 103N1010 |
| g | protection screen for PTC | 103N0476 |

Alternative components

| | | |
|----|----------------------------------|----------|
| a1 | PTC starter (220V, 250hm, 6.3mm) | 103N0011 |
| b | plastic cover | 103N2011 |
| d | cord relief | 103N1010 |
| g | protection screen for PTC | 103N0476 |

Model

| | | | | | |
|-------------|-------------|----------------------|----------------|-------------|-----------------|
| Designation | TL3G | 208-230V/60Hz | Conf. 4 | Sales code: | 102G4350 |
|-------------|-------------|----------------------|----------------|-------------|-----------------|

Optimization + standard conditions

R134a, 220V/60Hz, RSIR, static, CCC, EAC, UL, EN 60335-2-34

| | Evaporating pressure (saturation temperature) | | | | Condensing pressure (saturation temperature) | | | Return gas temp. | Liquid temp. | Cooling capacity | COP | EER | Power consumption | | | ASHRAE LBP |
|--|---|-------|------|-------|--|---------|----------|------------------|--------------|------------------|-------|------|-------------------|-------------|---|------------|
| | pe | pc | RGT | Tliq | [W] | [Btu/h] | [kcal/h] | | | | | | P1 | I | m | |
| | [°C] | [°F] | [°C] | [°F] | [W] | [Btu/h] | [kcal/h] | [W/W] | [Btu/Wh] | [kcal/Wh] | [W] | [A] | [kg/h] | | | |
| | -23 | 54 | 32 | 32 | 67,5 | 231 | 58,1 | 0,92 | 3,15 | 0,79 | 73,2 | 0,64 | 1,31 | ASHRAE LBP | | |
| | [-10] | [130] | [90] | [90] | | | | | | | | | | | | |
| | -7 | 54 | 35 | 46 | 164,6 | 562 | 141,6 | 1,35 | 4,59 | 1,16 | 122,3 | 0,77 | 3,59 | ASHRAE MBP | | |
| | [-20] | [130] | [95] | [115] | | | | | | | | | | | | |
| | 7,2 | 54 | 35 | 46 | 304,4 | 1040 | 262,0 | 1,67 | 5,71 | 1,44 | 182,1 | 0,91 | 6,75 | ASHRAE HBP | | |
| | [45] | [130] | [95] | [115] | | | | | | | | | | | | |
| | -35 | 40 | 20 | 40 | 34,9 | 119 | 30,1 | 0,65 | 2,22 | 0,56 | 53,8 | 0,57 | 0,77 | EN12900 LBP | | |
| | [-31] | [104] | [68] | [104] | | | | | | | | | | | | |
| | -10 | 45 | 20 | 45 | 145,5 | 497 | 125,2 | 1,38 | 4,72 | 1,19 | 105,2 | 0,73 | 3,41 | EN12900 MBP | | |
| | [-14] | [113] | [68] | [113] | | | | | | | | | | | | |
| | 5 | 50 | 20 | 50 | 258,1 | 882 | 222,1 | 1,58 | 5,38 | 1,36 | 163,9 | 0,88 | 6,50 | EN12900 HBP | | |
| | [41] | [122] | [68] | [122] | | | | | | | | | | | | |

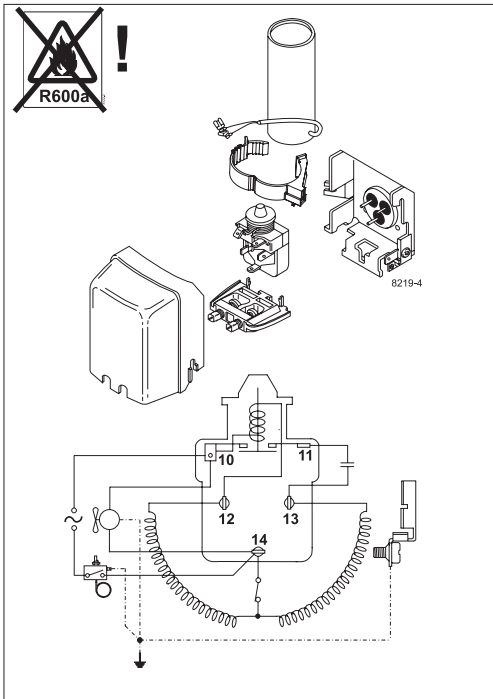
Performance tables

R134a, 220V/60Hz, RSIR, static, CCC, EAC, UL, EN 60335-2-34

| | pe | | Cooling capacity | | | COP | EER | P1 | I | m | |
|------------------|------|------|------------------|---------|----------|-------|----------|-----------|-------|------|--------|
| | [°C] | [°F] | [W] | [Btu/h] | [kcal/h] | [W/W] | [Btu/Wh] | [kcal/Wh] | [W] | [A] | [kg/h] |
| [°C / °F] | -30 | -22 | 45,3 | 155 | 38,9 | 0,75 | 2,58 | 0,65 | 60,0 | 0,60 | 0,98 |
| cond. pressure | -25 | -13 | 65,1 | 222 | 56,0 | 0,94 | 3,22 | 0,81 | 68,9 | 0,62 | 1,41 |
| pc= 45/113 | -23 | -10 | 72,7 | 248 | 62,6 | 1,00 | 3,43 | 0,86 | 72,3 | 0,63 | 1,58 |
| return gas temp. | -20 | -4 | 88,9 | 304 | 76,5 | 1,12 | 3,82 | 0,96 | 79,4 | 0,66 | 1,93 |
| RGT= 32/90 | -15 | 5 | 117,4 | 401 | 101,0 | 1,28 | 4,38 | 1,10 | 91,5 | 0,69 | 2,56 |
| liquid temp | -10 | 14 | 151,0 | 516 | 129,9 | 1,44 | 4,90 | 1,24 | 105,2 | 0,73 | 3,30 |
| Tliq= 45/113 | -5 | 23 | 190,3 | 650 | 163,8 | 1,58 | 5,39 | 1,36 | 120,7 | 0,78 | 4,19 |
| [°C / °F] | -30 | -22 | 29,5 | 101 | 25,4 | 0,49 | 1,68 | 0,42 | 60,0 | 0,60 | 0,70 |
| cond. pressure | -25 | -13 | 47,4 | 162 | 40,8 | 0,68 | 2,32 | 0,58 | 69,7 | 0,63 | 1,13 |
| pc= 55/131 | -23 | -10 | 54,3 | 185 | 46,7 | 0,74 | 2,52 | 0,64 | 73,5 | 0,64 | 1,30 |
| return gas temp | -20 | -4 | 68,9 | 235 | 59,3 | 0,85 | 2,89 | 0,73 | 81,4 | 0,66 | 1,65 |
| RGT= 32/90 | -15 | 5 | 94,6 | 323 | 81,4 | 0,99 | 3,39 | 0,86 | 95,2 | 0,70 | 2,28 |
| liquid temp | -10 | 14 | 125,1 | 427 | 107,7 | 1,13 | 3,85 | 0,97 | 111,1 | 0,74 | 3,03 |
| Tliq= 55/131 | -5 | 23 | 160,9 | 550 | 138,5 | 1,25 | 4,25 | 1,07 | 129,2 | 0,79 | 3,91 |



TL Compressors





Service/Repair – R600a, R290



8545

Brazing on Suction Connectors (Direct Intake)

representative image



**! max. 150°C/302°F !
at socket**
brazing solder: phosphor (LP7) or silver

Refer to Product Bulletin:
**Brazing on Suction Connectors
(Compressors with Direct Suction Intake)**

Secop accepts no responsibility for possible errors in catalogs, brochures, and other printed material. Secop reserves the right to alter its products without notice. This also applies to products already on order provided that such alterations can be made without subsequential changes being necessary to specifications already agreed. All trademarks in this material are the property of the respective companies. Secop and the Secop logotype are trademarks of Secop GmbH. All rights reserved. www.secop.com