

Single Pack SC21CNLX.2 208-230V 60Hz CSCR

Codice Imballo Singolo: **195B4267**

| Posizione | Titolo | Codice | Quantità |
|-----------|--|----------|----------|
| 1 | Compressor SC21CNLX.2 | 104H8177 | 1 |
| 2 | SC starting device (550mm) | 117-7066 | 1 |
| 3 | Cord relief | 103N1010 | 1 |
| 4 | Cover | 103N2008 | 1 |
| 5 | Bolt joint for one compressor M6 ø16mm | 118-1917 | 1 |

Secop GmbH • Lise-Meitner-Straße 29 • 24941 Flensburg, Germany • Tel: +49 46149410 • www.secop.com

Secop non si assume alcuna responsabilità per eventuali errori presenti in cataloghi, brochure e altro materiale stampato. Secop si riserva il diritto di modificare i propri prodotti senza preavviso. Ciò vale anche per i prodotti già ordinati, a condizione che tali modifiche possano essere apportate senza che siano necessarie modifiche successive alle specifiche già concordate. Tutti i marchi presenti in questo materiale sono di proprietà delle rispettive aziende. Secop e il logo Secop sono marchi di Secop GmbH. Tutti i diritti sono riservati.

SC21CNLX.2 LBP Compressor R290 208-230V 60Hz

General

| | |
|-----------------------|----------|
| Code number | 104H8177 |
| Approvals | UL984 |
| Compressors on pallet | 80 |

Application

| Application | LBP | | | | | |
|--|-----|----|--|--|-----------|--|
| Frequency | Hz | 50 | | | 60 | |
| Evaporating temperature | °C | - | | | -40 to -5 | |
| Voltage range | V | - | | | 187 - 254 | |
| Max. condensing temperature continuous (short) | °C | - | | | 55 (65) | |
| Max. winding temperature continuous (short) | °C | - | | | 125 (135) | |

Cooling requirements

| Frequency | Hz | 50 | | | 60 | | |
|-------------------------|----|-----|-----|-----|----------------|-----|-----|
| Application | | LBP | MBP | HBP | LBP | MBP | HBP |
| 32°C | | - | - | - | F ₂ | - | - |
| 38°C | | - | - | - | F ₂ | - | - |
| 43°C | | - | - | - | F ₂ | - | - |
| Remarks on application: | | | | | | | |

Motor

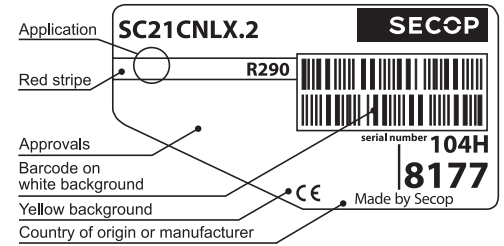
| Motor type | CSR | | |
|---|-----|------|-----|
| LRA (rated after 4 sec. UL984), HST LST | A | 27.0 | - |
| Cut in Current, HST LST | A | 27.0 | - |
| Resistance, main start winding (25°C) | Ω | 2.7 | 9.5 |

Design

| | | |
|-------------------------------------|-----------------|-------------------|
| Displacement | cm ³ | 20.95 |
| Oil quantity (type) | cm ³ | 550 (polyolester) |
| Maximum refrigerant charge | g | 150 |
| Free gas volume in compressor | cm ³ | 1410 |
| Weight without electrical equipment | kg | 14.1 |

Dimensions

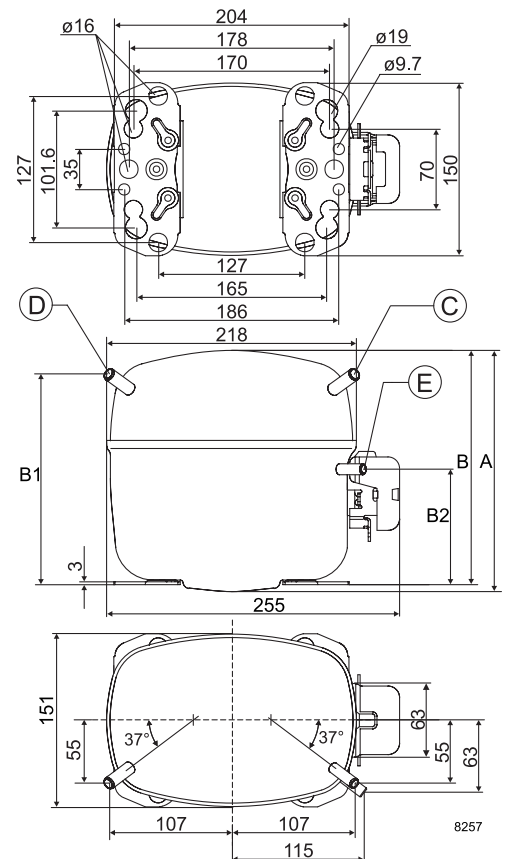
| | | | |
|----------------------|--------------------------|----------------------|------------|
| Height | mm | A | 219 |
| | | B | 213 |
| | | B1 | 193 |
| | | B2 | 110 |
| Suction connector | location/I.D. mm angle | C | 9.63 37° |
| | material comment | Copper Rubber plug | |
| Process connector | location/I.D. mm angle | D | 6.5 37° |
| | material comment | Copper Rubber plug | |
| Discharge connector | location/I.D. mm angle | E | 6.5 37° |
| | material comment | Copper Rubber plug | |
| Oil cooler connector | location/I.D. mm angle | F | - |
| | material comment | - | |
| Connector tolerance | I.D. mm | ±0.09 | |
| Remarks: | | | |



Yellow warning label



- S = Static cooling normally sufficient
- O = Oil cooling
- F₁ = Fan cooling 1.5 m/s (compressor compartment temperature equal to ambient temperature)
- F₂ = Fan cooling 3.0 m/s necessary
- SG = Suction gas cooling normally sufficient
- = not applicable in this area



EN 12900/CECOMAF

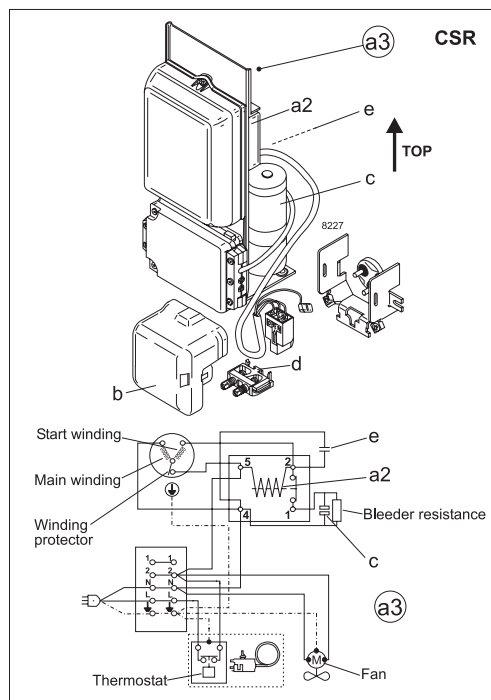
230V, 60Hz, fan cooling F₂

| | | | | | | | | | | | | | | | | | |
|--------------------|-----|------|------|------|------|-------|------|------|------|------|------|---|---|-----|----|----|----|
| Evap. temp. in °C | -45 | -40 | -35 | -30 | -25 | -23.3 | -20 | -15 | -10 | -6.7 | -5 | 0 | 5 | 7.2 | 10 | 15 | 20 |
| Capacity in W | | 219 | 458 | 665 | 856 | 920 | 1047 | 1252 | 1488 | 1668 | 1770 | | | | | | |
| Power cons. in W | | 326 | 519 | 657 | 758 | 786 | 836 | 906 | 985 | 1049 | 1087 | | | | | | |
| Current cons. in A | | 2.58 | 3.00 | 3.40 | 3.75 | 3.86 | 4.07 | 4.33 | 4.54 | 4.64 | 4.68 | | | | | | |
| COP in W/W | | 0.67 | 0.88 | 1.01 | 1.13 | 1.17 | 1.25 | 1.38 | 1.51 | 1.59 | 1.63 | | | | | | |

ASHRAE LBP

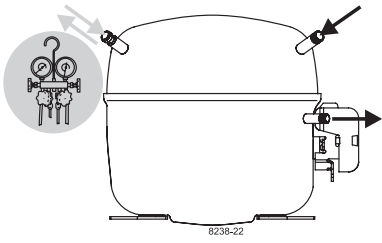
230V, 60Hz, fan cooling F₂

| | | | | | | | | | | | | | | | | | |
|--------------------|-----|------|------|------|------|-------|------|------|------|------|------|---|---|-----|----|----|----|
| Evap. temp. in °C | -45 | -40 | -35 | -30 | -25 | -23.3 | -20 | -15 | -10 | -6.7 | -5 | 0 | 5 | 7.2 | 10 | 15 | 20 |
| Capacity in W | | 280 | 570 | 823 | 1059 | 1138 | 1295 | 1551 | 1847 | 2072 | 2200 | | | | | | |
| Power cons. in W | | 334 | 523 | 659 | 757 | 784 | 833 | 902 | 979 | 1042 | 1080 | | | | | | |
| Current cons. in A | | 2.59 | 3.01 | 3.40 | 3.75 | 3.86 | 4.06 | 4.32 | 4.53 | 4.63 | 4.67 | | | | | | |
| COP in W/W | | 0.84 | 1.09 | 1.25 | 1.40 | 1.45 | 1.56 | 1.72 | 1.89 | 1.99 | 2.04 | | | | | | |

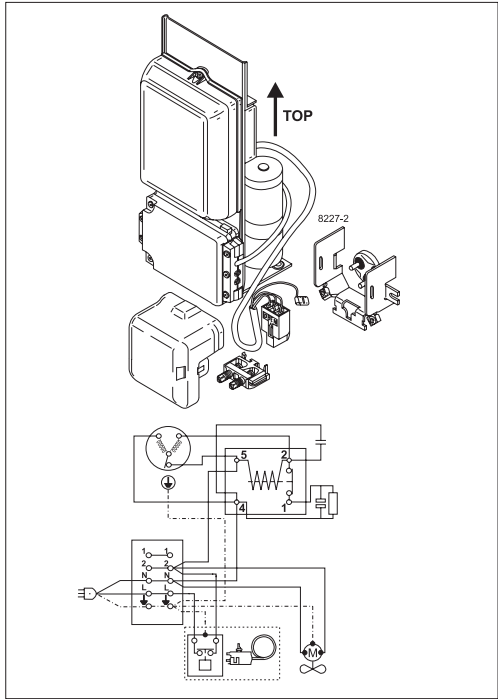
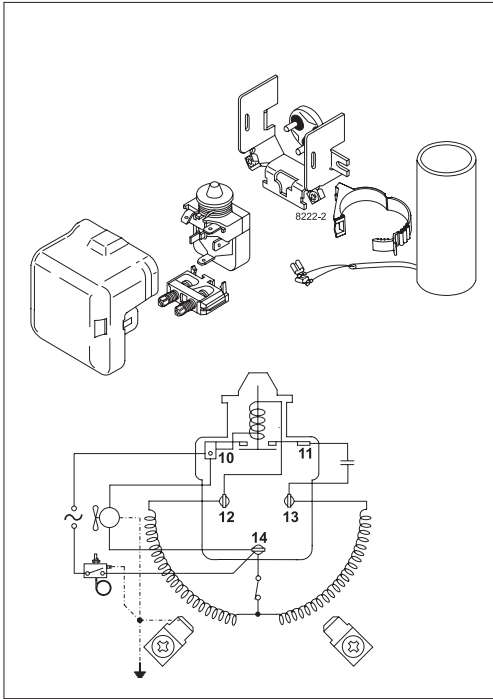
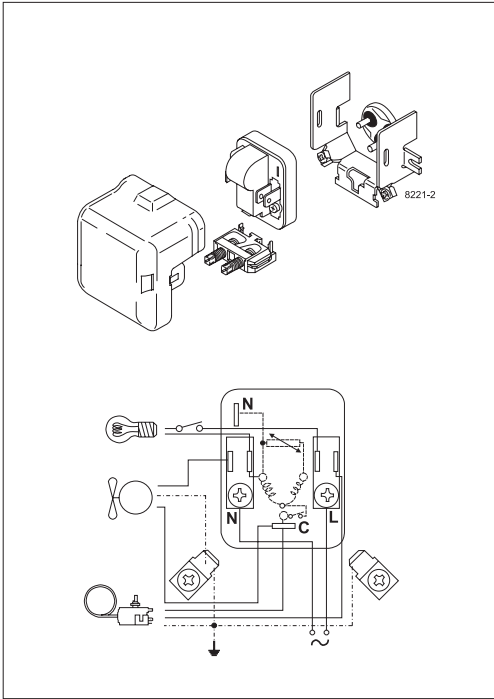


| Accessories for | SC21CNLX.2 | Figure | Code number | Test conditions | EN 12900/CECOMAF | ASHRAE LBP |
|------------------------|-------------------------|--------|-------------------------------|-----------------------------|------------------|------------|
| Starting device | 550 mm cable length | a3 | 117-7066 | Condensing temperature | 55°C | 54.4°C |
| | 1000 mm cable length | | 117-7850 | Ambient temperature | 32°C | 32°C |
| | Cover | b | 103N2008 | Suction gas temperature | 32°C | 32.2°C |
| | | | | Liquid temperature | no subcooling | 32.2°C |
| Starting relay | 6.3 mm spade connectors | a2 | Components of starting device | Mounting accessories | | |
| Start. capacitor 80 µF | 6.3 mm spade connectors | c | | Bolt joint for one comp. | Ø: 16 mm | 118-1917 |
| Run capacitor 10 µF | 6.3 mm spade connectors | e | | Bolt joint in quantities | Ø: 16 mm | 118-1918 |
| Cord relief | | d | 103N1004 | Snap-on in quantities | Ø: 16 mm | 118-1919 |

Secop accepts no responsibility for possible errors in catalogs, brochures, and other printed material. Secop reserves the right to alter its products without notice. This also applies to products already on order provided that such alterations can be made without subsequential changes being necessary to specifications already agreed. All trademarks in this material are the property of the respective companies. Secop and the Secop logotype are trademarks of Secop GmbH. All rights reserved. www.secop.com



SC Compressors





SC Compressors

Service/Repair – R290



8545



Secop accepts no responsibility for possible errors in catalogs, brochures, and other printed material. Secop reserves the right to alter its products without notice. This also applies to products already on order provided that such alterations can be made without subsequent changes being necessary to specifications already agreed. All trademarks in this material are the property of the respective companies. Secop and the Secop logotype are trademarks of Secop GmbH. All rights reserved. www.secop.com