

Single Pack SC12CNX.2 115V 60Hz CSIR

Codice Imballo Singolo: **195B4337**

Posizione	Titolo	Codice	Quantità
1	Compressor SC12CNX.2	104H7270	1
2	Starting relay	117U7020	1
3	Starting capacitor (240 μ F 125V, 6.3mm)	117U5023	1
4	Cord relief	103N1004	1
5	Cover	103N2008	1
6	Bolt joint for one compressor M6 \varnothing 16mm	118-1917	1

Secop GmbH • Lise-Meitner-Straße 29 • 24941 Flensburg, Germany • Tel: +49 46149410 • www.secop.com

Secop non si assume alcuna responsabilità per eventuali errori presenti in cataloghi, brochure e altro materiale stampato. Secop si riserva il diritto di modificare i propri prodotti senza preavviso. Ciò vale anche per i prodotti già ordinati, a condizione che tali modifiche possano essere apportate senza che siano necessarie modifiche successive alle specifiche già concordate. Tutti i marchi presenti in questo materiale sono di proprietà delle rispettive aziende. Secop e il logo Secop sono marchi di Secop GmbH. Tutti i diritti sono riservati.

Model

Designation	SC12CNX.2	115V/60Hz 1~	Sales code:	104H7270
-------------	------------------	--------------	-------------	-----------------

Compressor design

Oil type	Polyolester	Refrigerant(s)	R290
Oil viscosity	22cST	Displacement	12,87cm ³ / 0,79cu.in
Oil quantity	500cm ³ / 16,9fl.oz	Compressors on pallet	80
Refr. charge - tech. limit	500g / 17,6oz		
Free gas volume comp.	1510cm ³ / 51,1fl.oz		
Weight	13,2kg / 29,1lbs		
Motor protection	1# internal		
Winding resistance main	0,98Ω (at 25°C)		
Winding resistance aux	4,18Ω (at 25°C)		
Max. winding temp.	125°C / 257°F		
Max. discharge temp.	130°C / 266°F		



General - Configurations with SC12CNX.2

	Conf. 1
Motorconfiguration	CSIR
Power supply (nominal)	115V/60Hz
Number of phases	1
Voltage range	95-135V
Approvals	UL, VDE, EAC
Starting torque	HST
Note	- / -

Applications with SC12CNX.2

	Conf. 1
Refrigerant	R290
Application	LBP+MBP
System cooling	fan 3m/s
Hot gas defrost	OK
Long interval pull down	OK

Electrical data - Configurations with SC12CNX.2

	Conf. 1
Starting device type	relay
Run capacitor	- / -
Start capacitor	240μF
LRA (locked rotor amps / 4s)	23,4A
RLA (rated load amps / 1s)	4,3A
Cut in current	23,4A

Model

Designation

SC12CNX.2

115V/60Hz 1~

Sales code:

104H7270

Compressor dimensions

Housing	A Height	209mm / 8,23in
	B Height	203mm / 7,99in
	C Length shell	218mm / 8,58in
	D Length w. cover	255mm / 10,04in
	E Width	151mm / 5,94in

Connectors	Suction X	Discharge Y	Process Z
Diameter [mm]	øi 9,54-9,72	øi 6,41-6,59	øi 6,41-6,59
(i:inside, o:outside) [in]	øi 0,38-0,38	øi 0,25-0,26	øi 0,25-0,26
Material	copper	copper	copper
Horizontal angle ±2°	37°	37°	143°
Vertical angle ±2°	30°	0°	150°
Position l/h/w [mm]	107/183/55	115/100/63	-107/183/55
[in]	4,2/7,2/2,2	4,5/3,9/2,5	-4,2/7,2/2,2
Straight tube l. [mm]	12	12	12
[in]	0,5	0,5	0,5



Compressor fixation



Bolt joint



Snap-on



Mounting accessories

Mounting accessories	one comp.	multi pack
Bolt joint M6 ø16mm	118-1917	118-1918
Bolt joint ø1/4" ø16mm	118-1946	
Bolt joint ø1/4" ø19mm	118-1949	
Snap-on ø7,3 ø16mm	118-1947	118-1919

Application notes

LRA value on compressor label and datasheet may differ due to different test conditions for UL approval.

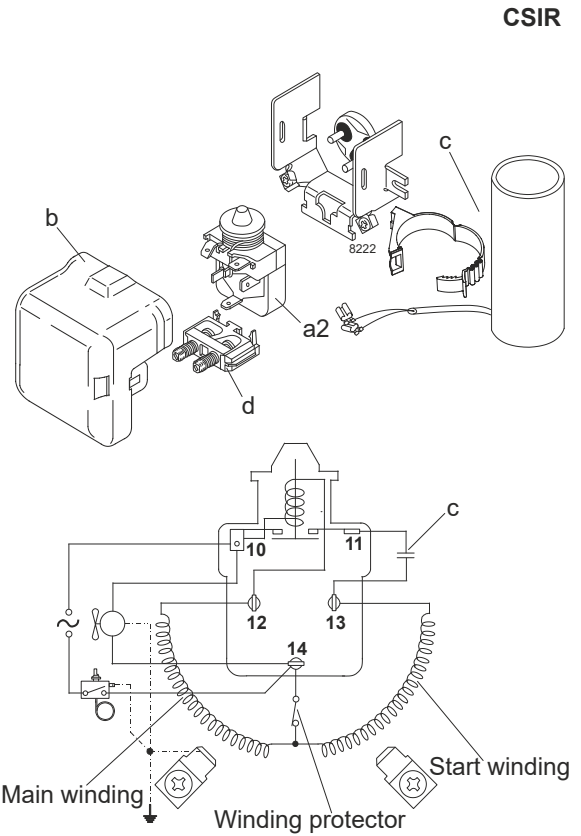
Model

Designation	SC12CNX.2	115V/60Hz	Conf. 1	Sales code:	104H7270
-------------	------------------	------------------	----------------	-------------	-----------------

Configuration

Motorconfiguration	CSIR
Power supply (nominal)	115V/60Hz 1~
Refrigerant	R290
Application	LBP+MBP
Voltage range	95-135V
Starting torque	HST
Approvals	UL VDE EAC

Electrical accessories / wiring diagram

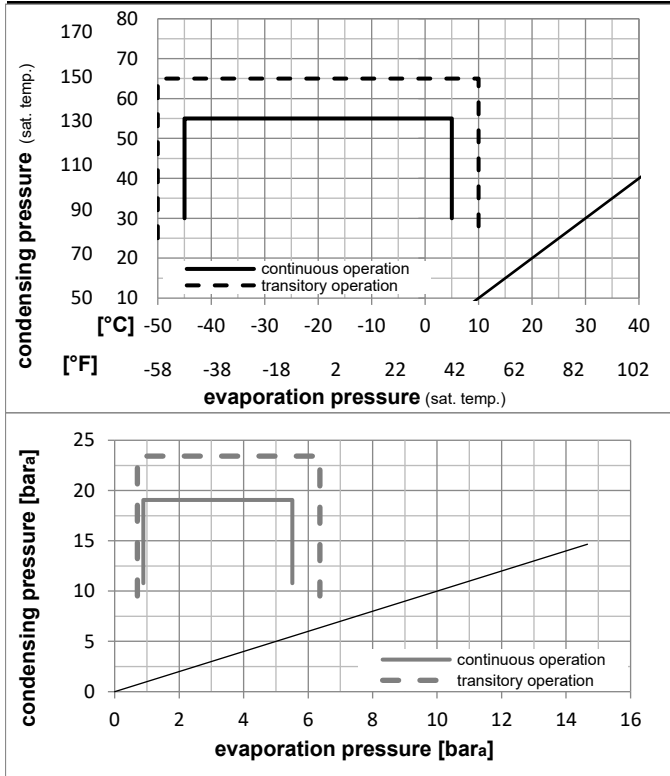


Ambient temperatures / system cooling

Ambient temperature min.:	10°C / 50°F
Ambient temperature max.:	43°C / 110°F

System cooling (n/a: outside limits)			
T ambient	LBP	MBP	HBP
32°C / 90°F	fan 3m/s	fan 3m/s	n/a
38°C / 100°F	fan 3m/s	fan 3m/s	n/a
43°C / 110°F	fan 3m/s	fan 3m/s	n/a

Operation pressure range



Components

a2	relay	117U7020
c	start capacitor (240μF)	117U5023
d	cord relief	103N1004
b	plastic cover	103N2008

Model

Designation	SC12CNX.2	115V/60Hz	Conf. 1	Sales code:	104H7270
-------------	------------------	------------------	----------------	-------------	-----------------

Optimization + standard conditions

R290, 115V/60Hz, CSIR, fan 3m/s, UL, VDE, EAC

		Evaporating pressure (saturation temperature)				Condensing pressure (saturation temperature)			Return gas temp.			Liquid temp.			Cooling capacity			COP	EER	Power consumption			
		pe	pc	RGT	Tliq	[W]	[Btu/h]	[kcal/h]	[W/W]	[Btu/Wh]	[kcal/Wh]	P1	I	Ref. mass flow									
[°C]	[°F]	[°C]	[°F]	[°C]	[°F]							[W]	[A]	[kg/h]									
-23	-10	54	130	32	90	32	90	611,5	2088	526,3	1,29	4,40	1,11	475,1	6,11	6,19					ASHRAE LBP		
54	130	32	90	32	90	611,5	2088	526,3	1,29	4,40	1,11	475,1	6,11	6,19									
-25	-13	55	131	32	90	55	131	449,4	1535	386,8	0,98	3,35	0,85	457,5	6,00	5,60					cecomaf LBP		
55	131	32	90	55	131	449,4	1535	386,8	0,98	3,35	0,85	457,5	6,00	5,60									
-35	-31	40	104	20	68	40	104	334,9	1144	288,3	0,97	3,30	0,83	346,5	5,42	3,83					EN12900 LBP		
40	104	20	68	40	104	334,9	1144	288,3	0,97	3,30	0,83	346,5	5,42	3,83									
-7	20	54	130	35	95	46	115	1190,6	4066	1024,6	1,87	6,40	1,61	635,8	7,31	13,58					ASHRAE MBP		
54	130	35	95	46	115	1190,6	4066	1024,6	1,87	6,40	1,61	635,8	7,31	13,58									
-10	14	55	131	32	90	55	131	935,7	3196	805,3	1,53	5,24	1,32	610,2	7,07	11,84					cecomaf MBP		
55	131	32	90	55	131	935,7	3196	805,3	1,53	5,24	1,32	610,2	7,07	11,84									
-10	14	45	113	20	68	45	113	1041,0	3555	895,9	1,88	6,43	1,62	553,0	6,74	12,78					EN12900 MBP		
45	113	20	68	45	113	1041,0	3555	895,9	1,88	6,43	1,62	553,0	6,74	12,78									

Performance tables

R290, 115V/60Hz, CSIR, fan 3m/s, UL, VDE, EAC

	pe		Cooling capacity			COP	EER	P1	I	m	
	[°C]	[°F]	[W]	[Btu/h]	[kcal/h]	[W/W]	[Btu/Wh]	[kcal/Wh]	[W]	[A]	[kg/h]
[°C / °F]	-45	-49	130,8	447	112,5	0,58	1,98	0,50	226,0	4,99	1,46
cond. pressure	-34	-30	319,6	1091	275,0	0,91	3,12	0,79	349,3	5,45	3,58
pc= 45/113	-29	-20	447,8	1529	385,4	1,11	3,79	0,95	403,8	5,72	5,04
return gas temp.	-23	-10	600,1	2050	516,5	1,33	4,53	1,14	452,6	6,00	6,78
RGT= 32/90	-15	5	881,0	3009	758,2	1,70	5,81	1,47	517,5	6,45	10,02
liquid temp	-4	25	1370,4	4680	1179,4	2,31	7,88	1,98	594,2	7,11	15,80
Tliq= 45/113	5	41	1872,2	6394	1611,3	2,87	9,79	2,47	653,0	7,68	21,90
[°C / °F]	-45	-49	60,2	206	51,8	0,34	1,17	0,30	175,1	4,75	0,74
cond. pressure	-34	-30	236,4	807	203,5	0,70	2,39	0,60	338,0	5,38	2,92
pc= 55/131	-29	-20	354,3	1210	304,9	0,86	2,94	0,74	410,9	5,74	4,40
return gas temp	-23	-10	493,7	1686	424,9	1,04	3,54	0,89	476,5	6,11	6,16
RGT= 32/90	-15	5	750,4	2563	645,8	1,33	4,55	1,15	563,3	6,70	9,43
liquid temp	-4	25	1198,3	4093	1031,3	1,81	6,17	1,55	663,6	7,54	15,29
Tliq= 55/131	5	41	1659,6	5668	1428,3	2,25	7,70	1,94	736,3	8,26	21,52



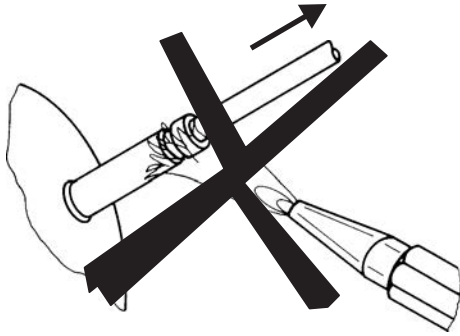
SC Compressors





SC Compressors

Service/Repair – R290



8545



Secop accepts no responsibility for possible errors in catalogs, brochures, and other printed material. Secop reserves the right to alter its products without notice. This also applies to products already on order provided that such alterations can be made without subsequent changes being necessary to specifications already agreed. All trademarks in this material are the property of the respective companies. Secop and the Secop logotype are trademarks of Secop GmbH. All rights reserved. www.secop.com