

## Single Pack SC15MFX 220-240V 50Hz CSIR

Codice Imballo Singolo: **195B4370**

Posizione	Titolo	Codice	Quantità
1	Compressor SC15MFX	104G8501	1
2	Starting relay	117U6005	1
3	Starting capacitor (80 $\mu$ F 220V, 6.3mm)	117U5017	1
4	Cord relief	103N1004	1
5	Cover	103N2008	1
6	Bolt joint for one compressor   M6   $\varnothing$ 16mm	118-1917	1

**Secop GmbH** • Lise-Meitner-Straße 29 • 24941 Flensburg, Germany • Tel: +49 46149410 • [www.secop.com](http://www.secop.com)

Secop non si assume alcuna responsabilità per eventuali errori presenti in cataloghi, brochure e altro materiale stampato. Secop si riserva il diritto di modificare i propri prodotti senza preavviso. Ciò vale anche per i prodotti già ordinati, a condizione che tali modifiche possano essere apportate senza che siano necessarie modifiche successive alle specifiche già concordate. Tutti i marchi presenti in questo materiale sono di proprietà delle rispettive aziende. Secop e il logo Secop sono marchi di Secop GmbH. Tutti i diritti sono riservati.

## Model

Designation	<b>SC15MFX</b>	220-240V/50Hz 1~	Sales code:	<b>104G8501</b>
-------------	----------------	------------------	-------------	-----------------

## Compressor design

Oil type	Polyolester	Refrigerant(s)	<b>R134a, R513A</b>
Oil viscosity	22cSt	Displacement	15,28cm <sup>3</sup> / 0,93cu.in
Oil quantity	449cm <sup>3</sup> / 15,2fl.oz	Compressors on pallet	80
Refr. charge - tech. limit	1300g / 45,9oz		
Free gas volume comp.	1410cm <sup>3</sup> / 47,7fl.oz		
Weight	13,2kg / 29,1lbs		
Motor protection	1# internal		
Winding resistance main	5,13Ω (at 25°C)		
Winding resistance aux	13,51Ω (at 25°C)		
Max. winding temp.	125°C / 257°F		
Max. discharge temp.	130°C / 266°F		



## General - Configurations with SC15MFX

	<b>Conf. 1</b>	<b>Conf. 2</b>
Motorconfiguration	CSIR	CSIR
Power supply (nominal)	220-240V/50Hz	220-240V/50Hz
Number of phases	1	1
Voltage range	198-254V	198-254V
Approvals	VDE, CCC, EAC	VDE, CCC, EAC
Starting torque	HST	HST
Note	- / -	

## Applications with SC15MFX

	<b>Conf. 1</b>	<b>Conf. 2</b>
Refrigerant	R134a	R513A
Application	MBP	MBP
System cooling	fan 3m/s	fan 3m/s
Hot gas defrost	OK	OK
Long interval pull down	OK	OK

## Electrical data - Configurations with SC15MFX

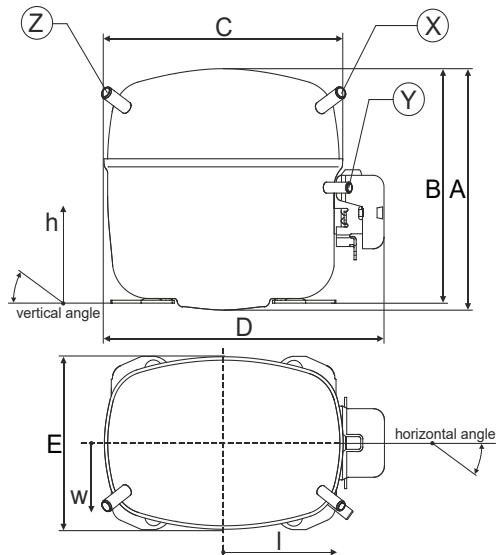
	<b>Conf. 1</b>	<b>Conf. 2</b>
Starting device type	relay	relay
Run capacitor	- / -	- / -
Start capacitor	80μF	80μF
LRA (locked rotor amps / 4s/ U(N))	16,2A	16,2A
RLA (rated load amps / 1s/ U(N))	3,1A	3,1A
Cut in current (U(N))	16,2A	16,2A

## Model

Designation	<b>SC15MFX</b>	220-240V/50Hz 1~	Sales code:	<b>104G8501</b>
-------------	----------------	------------------	-------------	-----------------

## Compressor dimensions

<b>Housing</b>	A Height	209mm / 8,23in
	B Height	203mm / 7,99in
	C Length shell	218mm / 8,58in
	D Length w. cover	255mm / 10,04in
	E Width	151mm / 5,94in



Connectors	Suction		Discharge		Process	
	X		Y		Z	
Diameter [mm]	øi 10,11-10,29		øi 6,11-6,29		øi 6,11-6,29	
(i:inside, o:outside) [in]	øi 0,4-0,41		øi 0,24-0,25		øi 0,24-0,25	
Material	copper		copper		copper	
Horizontal angle ±2°	37°		37°		143°	
Vertical angle ±2°	30°		0°		150°	
Position l/h/w [mm]	107/183/55		115/100/63		-107/183/55	
[in]	4,2/7,2/2,2		4,5/3,9/2,5		-4,2/7,2/2,2	
Straight tube l. [mm]	12		12		12	
[in]	0,5		0,5		0,5	

## Compressor fixation

Baseplate	[mm]	[inch]
BI	204	8.03
Bw	150	5.9
øE	ø 9.7	ø 0.38

Large holes	[mm]	[inch]
LI	165	6.5
Lw	101.6	4
øL	ø 19	ø 0.75

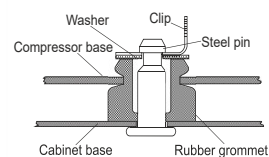
  

Small holes	[mm]	[inch]
SI	170	6.7
Sw	70	2.76
øS	ø 16	ø 0.63
QI	127	5
Qw	127	5

## Bolt joint



## Snap-on



## Mounting accessories

Mounting accessories	one comp.	multi pack
Bolt joint   M6   ø16mm	118-1917	118-1918
Bolt joint   ø1/4"   ø16mm	118-1946	
Bolt joint   ø1/4"   ø19mm	118-1949	
Snap-on   ø7,3   ø16mm	118-1947	118-1919

## Application notes

Provision for PE Grounding is located at the PE Stamp on the compressor

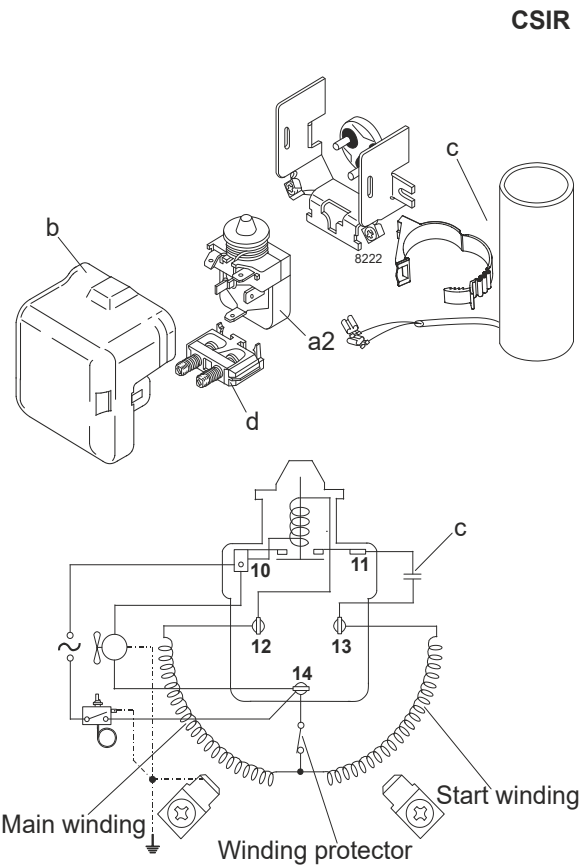
## Model

Designation	<b>SC15MFX</b>	<b>220-240V/50Hz</b>	<b>Conf. 1</b>	Sales code:	<b>104G8501</b>
-------------	----------------	----------------------	----------------	-------------	-----------------

## Configuration

Motor configuration	CSIR
Power supply (nominal)	220-240V/50Hz 1~
Refrigerant	R134a
Application	MBP
Voltage range	198-254V
Starting torque	HST
Approvals	VDE
	CCC
	EAC

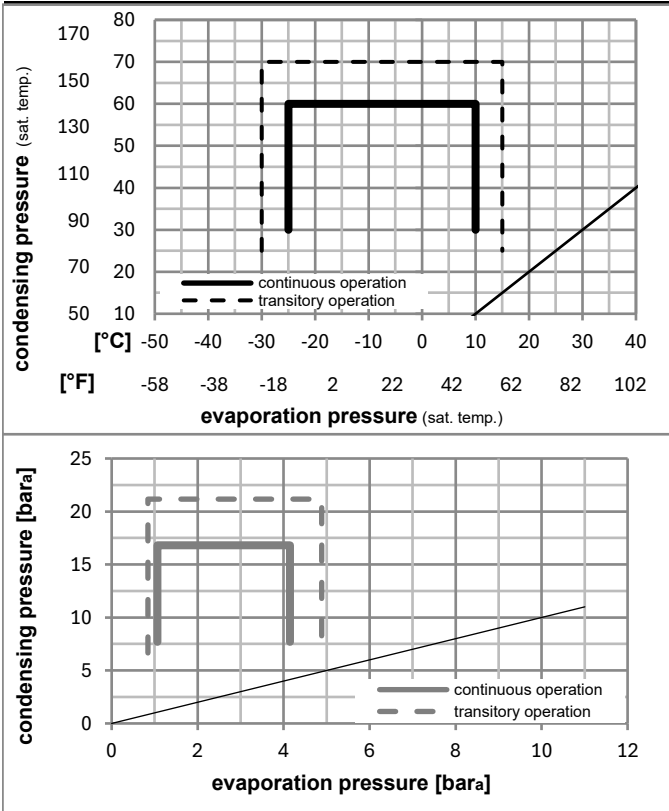
## Electrical accessories / wiring diagram



## Ambient/ machine room temperatures minimum /maximum

Ambient temperature range:	10 - 43°C / 50 - 110°F
Machine room temperature range:	10 - 48°C / 50 - 119°F
Compressor cooling:	fan 3m/s

## Operation pressure range



## Components

a2	relay	117U6005
c	start capacitor (80μF)	117U5017
d	cord relief	103N1004
b	plastic cover	103N2008

### Model

Designation **SC15MFX** **220-240V/50Hz** Conf. 1 Sales code: **104G8501**

### Optimization + standard conditions

R134a, 220V/50Hz, CSIR, fan 3m/s, VDE, CCC, EAC

		Evaporating pressure (saturation temperature)				Condensing pressure (saturation temperature)			Return gas temp.		Liquid temp.		Cooling capacity			COP	EER	Power consumption		
		pe	pc	RGT	Tliq	[W]	[Btu/h]	[kcal/h]	[W/W]	[Btu/Wh]	[kcal/Wh]	P1	I	Current consumption		Ref. mass flow				
[°C]	[°F]											[W]	[A]	[kg/h]						
-7	20	54	130	35	95	46	115	786,3	2685	676,7	1,66	5,68	1,43	472,7	2,90	17,16	ASHRAE MBP			
-10	14	55	131	32	90	55	131	601,6	2054	517,7	1,38	4,70	1,18	437,4	2,78	14,55	cecomaf MBP			
-10	14	45	113	20	68	45	113	676,2	2309	582,0	1,63	5,57	1,40	414,4	2,70	15,83	EN12900 MBP			
-7	20	49	120	18	65	49	120	746,6	2550	642,6	1,63	5,57	1,40	458,1	2,85	18,44	ARI540 MBP			
-10	14	45	113	32	90	45	113	701,6	2396	603,8	1,69	5,78	1,46	414,4	2,70	15,35	opt			
-25	-13	45	113	32	90	45	113	290,0	990	249,6	1,07	3,66	0,92	270,3	2,25	6,28	opt			

### Performance tables

R134a, 220V/50Hz, CSIR, fan 3m/s, VDE, CCC, EAC

	pe		Cooling capacity			COP	EER	P1	I	m	
	[°C]	[°F]	[W]	[Btu/h]	[kcal/h]	[W/W]	[Btu/Wh]	[kcal/Wh]	[W]	[A]	[kg/h]
[°C / °F]	-25	-13	290,0	990	249,6	1,07	3,66	0,92	270,3	2,25	6,28
cond. pressure	-20	-4	404,0	1380	347,7	1,27	4,33	1,09	318,8	2,40	8,78
pc= 45/113	-15	5	540,6	1846	465,2	1,47	5,03	1,27	367,3	2,55	11,78
return gas temp.	-10	14	701,6	2396	603,8	1,69	5,78	1,46	414,4	2,70	15,35
RGT= 32/90	0	32	1103,7	3769	949,9	2,21	7,55	1,90	499,5	2,99	24,41
liquid temp	5	41	1348,3	4605	1160,4	2,52	8,61	2,17	534,8	3,13	30,02
Tliq= 45/113	10	50	1624,3	5547	1397,9	2,88	9,84	2,48	563,6	3,25	36,45
[°C / °F]	-25	-13	225,8	771	194,3	0,81	2,77	0,70	278,2	2,30	5,40
cond. pressure	-20	-4	332,9	1137	286,5	1,01	3,45	0,87	329,5	2,44	7,99
pc= 55/131	-15	5	457,6	1563	393,8	1,19	4,08	1,03	383,0	2,61	11,02
return gas temp	-10	14	601,6	2054	517,7	1,38	4,70	1,18	437,4	2,78	14,55
RGT= 32/90	0	32	954,2	3259	821,2	1,75	5,99	1,51	543,7	3,16	23,34
liquid temp	5	41	1166,3	3983	1003,8	1,97	6,72	1,69	592,9	3,35	28,74
Tliq= 55/131	10	50	1404,7	4797	1208,9	2,20	7,52	1,90	637,8	3,55	34,92

## Model

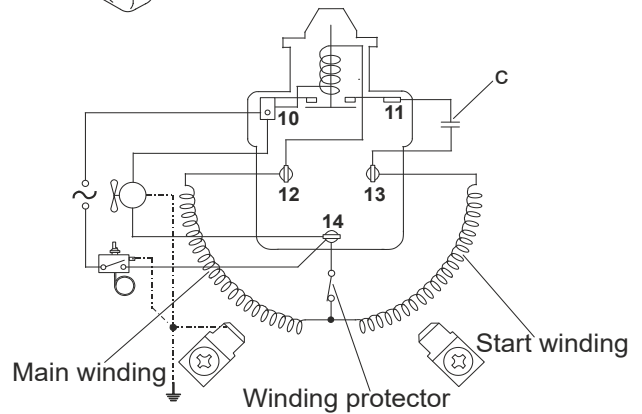
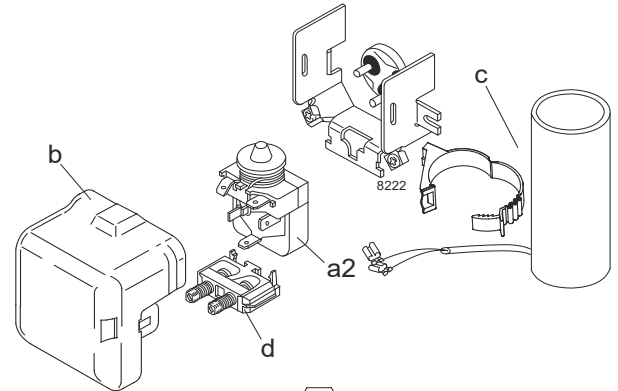
Designation	<b>SC15MFX</b>	<b>220-240V/50Hz</b>	<b>Conf. 2</b>	Sales code:	<b>104G8501</b>
-------------	----------------	----------------------	----------------	-------------	-----------------

## Configuration

Motor configuration	CSIR
Power supply (nominal)	220-240V/50Hz 1~
Refrigerant	R513A
Application	MBP
Voltage range	198-254V
Starting torque	HST
Approvals	VDE
	CCC
	EAC

## Electrical accessories / wiring diagram

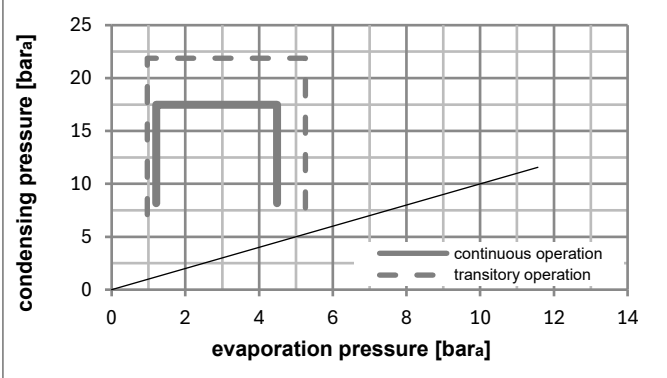
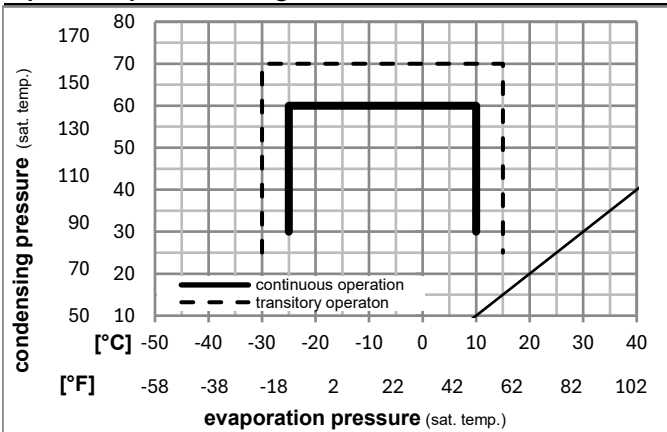
CSIR



## Ambient/ machine room temperatures minimum /maximum

Ambient temperature range:	10 - 43°C / 50 - 110°F
Machine room temperature range:	10 - 48°C / 50 - 119°F
Compressor cooling:	fan 3m/s

## Operation pressure range



## Components

a2	relay	117U6005
c	start capacitor (80µF)	117U5017
d	cord relief	103N1004
b	plastic cover	103N2008

### Model

Designation **SC15MFX** **220-240V/50Hz** Conf. 2 Sales code: **104G8501**

### Optimization + standard conditions

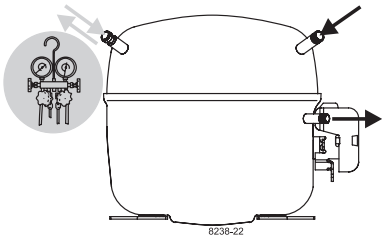
R513A, 220V/50Hz, CSIR, fan 3m/s, VDE, CCC, EAC

	Evaporating pressure (saturation temperature)				Cooling capacity			COP	EER			Power consumption			ASHRAE MBP			
	pe	pc	RGT	Tliq	[W]	[Btu/h]	[kcal/h]		[W/W]	[Btu/Wh]	[kcal/Wh]	P1	I	m				
	[°C]	[°F]	[°C]	[°F]	[W]	[Btu/h]	[kcal/h]	[W/W]	[Btu/Wh]	[kcal/Wh]	[W]	[A]	[kg/h]					
	-7	20	54	130	35	95	46	115	826,7	2823	711,5	1,65	5,63	1,42	501,1	3,01	20,25	ASHRAE MBP
	-10	14	55	131	32	90	55	131	625,3	2136	538,2	1,34	4,59	1,16	465,2	2,89	17,29	cecomaf MBP
	-10	14	45	113	20	68	45	113	708,0	2418	609,3	1,61	5,51	1,39	438,7	2,80	18,76	EN12900 MBP
	-7	20	49	120	18	65	49	120	771,4	2634	663,9	1,59	5,43	1,37	484,8	2,96	21,74	ARI540 MBP
	-10	14	45	113	32	90	45	113	740,3	2528	637,1	1,69	5,76	1,45	438,7	2,80	18,20	opt
	-25	-13	45	113	32	90	45	113	317,5	1084	273,2	1,11	3,79	0,95	286,1	2,30	7,74	opt

### Performance tables

R513A, 220V/50Hz, CSIR, fan 3m/s, VDE, CCC, EAC

	pe		Cooling capacity			COP	EER		P1	I	m
	[°C]	[°F]	[W]	[Btu/h]	[kcal/h]	[W/W]	[Btu/Wh]	[kcal/Wh]	[W]	[A]	[kg/h]
[°C / °F]	-25	-13	317,5	1084	273,2	1,11	3,79	0,95	286,1	2,30	7,74
cond. pressure	-20	-4	435,9	1489	375,2	1,29	4,40	1,11	338,3	2,47	10,65
pc= 45/113	-15	5	576,3	1968	496,0	1,48	5,05	1,27	389,6	2,64	14,12
return gas temp.	-10	14	740,3	2528	637,1	1,69	5,76	1,45	438,7	2,80	18,20
RGT= 32/90	0	32	1145,4	3912	985,8	2,18	7,45	1,88	525,0	3,09	28,41
liquid temp	5	41	1389,8	4746	1196,0	2,48	8,48	2,14	559,5	3,20	34,66
Tliq= 45/113	10	50	1664,1	5683	1432,1	2,84	9,69	2,44	586,6	3,29	41,78
[°C / °F]	-25	-13	245,0	837	210,9	0,82	2,81	0,71	297,3	2,34	6,71
cond. pressure	-20	-4	354,8	1212	305,4	1,01	3,44	0,87	352,5	2,52	9,74
pc= 55/131	-15	5	481,1	1643	414,0	1,18	4,02	1,01	408,9	2,71	13,25
return gas temp	-10	14	625,3	2136	538,2	1,34	4,59	1,16	465,2	2,89	17,29
RGT= 32/90	0	32	974,5	3328	838,7	1,70	5,81	1,47	572,3	3,24	27,21
liquid temp	5	41	1182,6	4039	1017,7	1,91	6,51	1,64	620,5	3,40	33,23
Tliq= 55/131	10	50	1415,1	4833	1217,9	2,13	7,29	1,84	663,2	3,54	40,06



# SC Compressors







# SC Compressors

## Service/Repair – R290



8545



Secop accepts no responsibility for possible errors in catalogs, brochures, and other printed material. Secop reserves the right to alter its products without notice. This also applies to products already on order provided that such alterations can be made without subsequent changes being necessary to specifications already agreed. All trademarks in this material are the property of the respective companies. Secop and the Secop logotype are trademarks of Secop GmbH. All rights reserved. [www.secop.com](http://www.secop.com)