

Single Pack NL11MF 220-240V 50Hz CSIR

Codice Imballo Singolo: **195B4373**

Posizione	Titolo	Codice	Quantità
1	Compressor NL11MF	105G6156	1
2	Starting relay	117U6022	1
3	Starting capacitor (125 μ F 220V, 6.3mm)	117U5018	1
4	Cord relief	103N1010	1
5	Cover	103N2011	1
6	Bolt joint for one compressor M6 \varnothing 16mm	118-1917	1

Secop GmbH • Lise-Meitner-Straße 29 • 24941 Flensburg, Germany • Tel: +49 46149410 • www.secop.com

Secop non si assume alcuna responsabilità per eventuali errori presenti in cataloghi, brochure e altro materiale stampato. Secop si riserva il diritto di modificare i propri prodotti senza preavviso. Ciò vale anche per i prodotti già ordinati, a condizione che tali modifiche possano essere apportate senza che siano necessarie modifiche successive alle specifiche già concordate. Tutti i marchi presenti in questo materiale sono di proprietà delle rispettive aziende. Secop e il logo Secop sono marchi di Secop GmbH. Tutti i diritti sono riservati.

Model

Designation	NL11MF	220-240V/50Hz 1~	Sales code:	105G6156
-------------	---------------	-------------------------	-------------	-----------------

Compressor design

Oil type	Polyolester	Refrigerant(s)	R134a
Oil viscosity	32cST	Displacement	11,15cm ³ / 0,68cu.in
Oil quantity	298cm ³ / 10,1fl.oz	Compressors on pallet	80
Refr. charge - tech. limit	600g / 21,2oz		
Free gas volume comp.	2360cm ³ / 79,8fl.oz		
Weight	10,5kg / 23,1lbs		
Motor protection	1# internal		
Winding resistance main	6,1Ω (at 25°C)		
Winding resistance aux	17,5Ω (at 25°C)		
Max. winding temp.	125°C / 257°F		
Max. discharge temp.	130°C / 266°F		



General - Configurations with NL11MF

	Conf. 1	Conf. 2
Motorconfiguration	CSIR	RSIR
Power supply (nominal)	220-240V/50Hz	220-240V/50Hz
Number of phases	1	1
Voltage range	187-254V	187-254V
Approvals	VDE, CCC, EAC	VDE, CCC, EAC
Starting torque	HST	LST
Note	- / -	

Applications with NL11MF

	Conf. 1	Conf. 2
Refrigerant	R134a	R134a
Application	MBP+HBP	MBP+HBP
System cooling	fan 3m/s	fan 3m/s
Hot gas defrost	OK	OK
Long interval pull down	OK	OK

Electrical data - Configurations with NL11MF

	Conf. 1	Conf. 2
Starting device type	relay	PTC
Run capacitor	- / -	- / -
Start capacitor	125μF	- / -
LRA (locked rotor amps / 4s)	16,6A	13A
RLA (rated load amps / 1s)	2,8A	2,8A
Cut in current	17A	17A

Model

Designation

NL11MF

220-240V/50Hz 1~

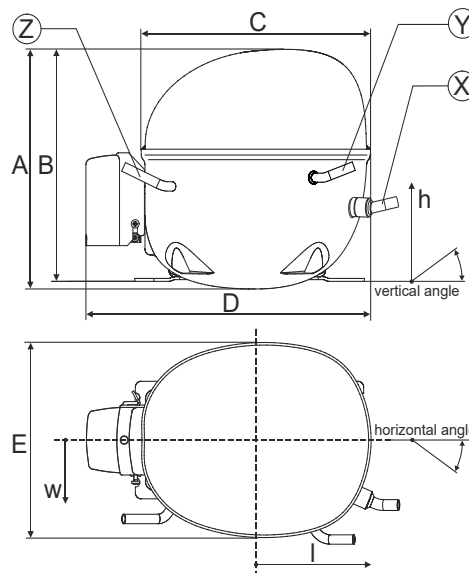
Sales code:

105G6156

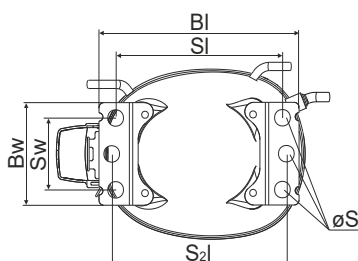
Compressor dimensions

Housing	A Height	203mm / 7,99in
	B Height	197mm / 7,76in
	C Length shell	205mm / 8,07in
	D Length w. cover	254mm / 10in
	E Width	166mm / 6,54in

Connectors		Suction	Discharge	Process
		X	Y	Z
Diameter	[mm]	øi 8,11-8,29	øi 6,11-6,29	øi 6,11-6,29
(i:inside, o:outside)	[in]	øi 0,32-0,33	øi 0,24-0,25	øi 0,24-0,25
Material		copper	copper	copper
Horizontal angle	±2°	0°	0°	0°
Vertical angle	±2°	15°	35°	155°
Position l/h/w	[mm]	126/76/78	133/103/54	-107/94/72
	[in]	4,9/3/3,1	5,2/4/2,1	-4,2/3,7/2,8
Straight tube l.	[mm]	12	12	12
	[in]	0,5	0,5	0,5

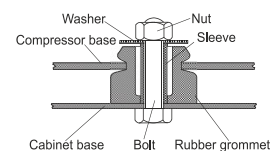


Compressor fixation

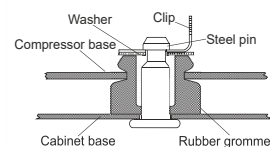


Baseplate	[mm]	[inch]
BI	204	8.03
BW	100	3.94
Small holes		
SI	170	6.7
SW	70	2.76
S1	178	7
øS	ø 16	ø 0.63

Bolt joint



Snap-on



Mounting accessories

	one comp.	multi pack
Bolt joint M6 ø16mm	118-1917	118-1918
Bolt joint ø1/4" ø16mm	118-1946	
Bolt joint ø1/4" ø19mm	118-1949	
Snap-on ø7,3 ø16mm	118-1947	118-1919

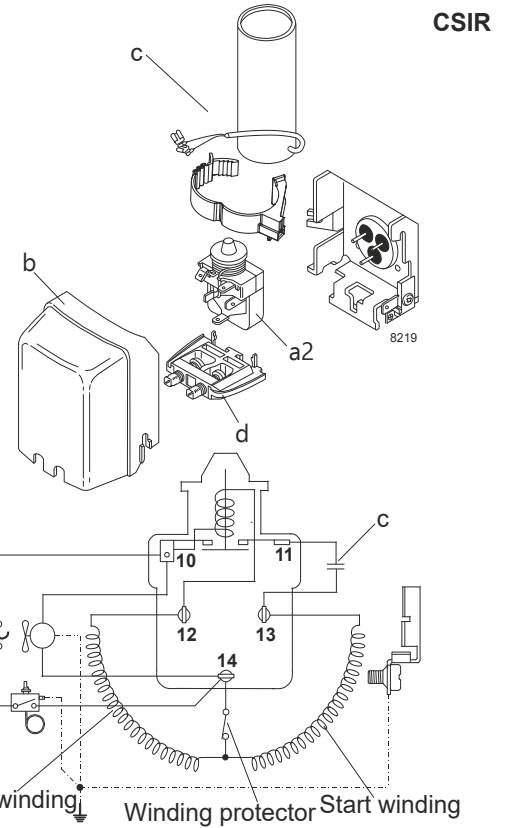
Model

Designation	NL11MF	220-240V/50Hz	Conf. 1	Sales code:	105G6156
-------------	---------------	----------------------	----------------	-------------	-----------------

Configuration

Motorconfiguration	CSIR
Power supply (nominal)	220-240V/50Hz 1~
Refrigerant	R134a
Application	MBP+HBP
Voltage range	187-254V
Starting torque	HST
Approvals	VDE
	CCC
	EAC

Electrical accessories / wiring diagram

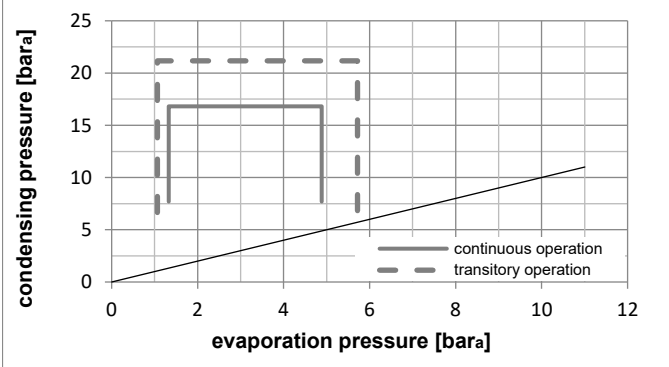
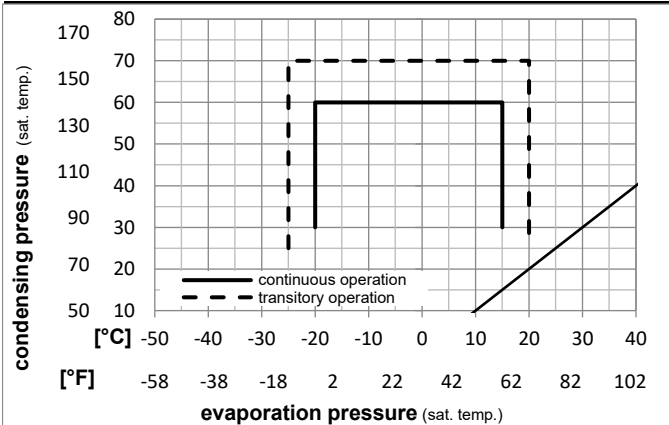


Ambient temperatures / system cooling

Ambient temperature min.:	10°C / 50°F
Ambient temperature max.:	43°C / 110°F

System cooling (n/a: outside limits)			
T ambient	LBP	MBP	HBP
32°C / 90°F	n/a	fan 3m/s	fan 3m/s
38°C / 100°F	n/a	fan 3m/s	fan 3m/s
43°C / 110°F	n/a	fan 3m/s	fan 3m/s

Operation pressure range



Components

a2	relay	117U6022
c	start capacitor	117U5018
b	plastic cover	103N2011
d	cord relief	103N1010

Model

Designation **NL11MF** **220-240V/50Hz** Conf. 1 Sales code: **105G6156**

Optimization + standard conditions

R134a, 220V/50Hz, CSIR, fan 3m/s, VDE, CCC, EAC

		Evaporating pressure (saturation temperature)				Condensing pressure (saturation temperature)			Return gas temp.			Liquid temp.			Cooling capacity			COP	EER	Power consumption			ASHRAE MBP
		pe	pc	RGT	Tliq	[W]	[Btu/h]	[kcal/h]	[W/W]	[Btu/Wh]	[kcal/Wh]	P1	I	Ref. mass flow	[W]	[A]	[kg/h]	cecomaf MBP					
[°C]	[°F]																		EN12900 MBP				
-7	20	54	130	35	95	46	115	626,5	2140	539,2	1,61	5,51	1,39	388,4	2,46	13,67				ARI540 MBP			
-10	14	55	131	32	90	55	131	485,0	1656	417,4	1,35	4,60	1,16	360,0	2,37	11,73		opt					
-10	14	45	113	20	68	45	113	546,1	1865	470,0	1,59	5,44	1,37	342,8	2,31	12,78							
-7	20	49	120	18	65	49	120	594,7	2031	511,8	1,58	5,40	1,36	376,3	2,42	14,69							
-10	14	45	113	32	90	45	113	566,6	1935	487,6	1,65	5,64	1,42	342,8	2,31	12,40		opt					
-25	-13	45	113	32	90	45	113	264,5	903	227,6	1,14	3,90	0,98	231,4	2,07	5,73							

Performance tables

R134a, 220V/50Hz, CSIR, fan 3m/s, VDE, CCC, EAC

	pe		Cooling capacity			COP	EER	P1			I	m
	[°C]	[°F]	[W]	[Btu/h]	[kcal/h]	[W/W]	[Btu/Wh]	[kcal/Wh]	[W]	[A]	[kg/h]	
[°C / °F]	-20	-4	347,6	1187	299,2	1,30	4,44	1,12	267,5	2,13	7,55	
cond. pressure	-15	5	447,5	1528	385,1	1,47	5,01	1,26	304,8	2,21	9,75	
pc= 45/113	-10	14	566,6	1935	487,6	1,65	5,64	1,42	342,8	2,31	12,40	
return gas temp.	-5	23	707,6	2417	609,0	1,86	6,34	1,60	381,2	2,42	15,56	
RGT= 32/90	0	32	873,3	2982	751,6	2,08	7,11	1,79	419,5	2,55	19,31	
liquid temp	5	41	1066,2	3641	917,6	2,33	7,96	2,01	457,3	2,70	23,74	
Tliq= 45/113	15	59	1544,2	5274	1328,9	2,91	9,95	2,51	529,8	3,03	34,98	
[°C / °F]	-20	-4	292,0	997	251,3	1,06	3,63	0,92	274,5	2,14	7,00	
cond. pressure	-15	5	380,1	1298	327,1	1,20	4,10	1,03	316,5	2,25	9,15	
pc= 55/131	-10	14	485,0	1656	417,4	1,35	4,60	1,16	360,0	2,37	11,73	
return gas temp	-5	23	609,3	2081	524,4	1,51	5,15	1,30	404,5	2,51	14,81	
RGT= 32/90	0	32	755,7	2581	650,4	1,68	5,74	1,45	449,5	2,67	18,49	
liquid temp	5	41	926,8	3165	797,6	1,87	6,40	1,61	494,6	2,84	22,84	
Tliq= 55/131	15	59	1353,8	4623	1165,1	2,32	7,92	2,00	583,7	3,23	34,00	

Model

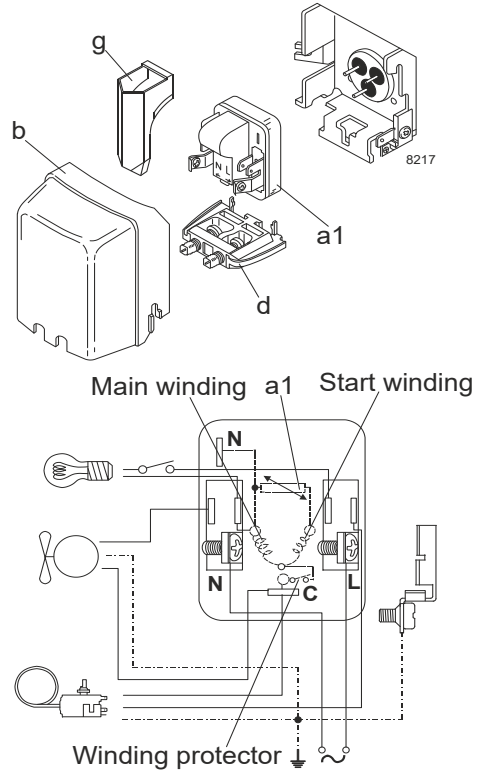
Designation	NL11MF	220-240V/50Hz	Conf. 2	Sales code:	105G6156
-------------	---------------	----------------------	----------------	-------------	-----------------

Configuration

Motorconfiguration	RSIR
Power supply (nominal)	220-240V/50Hz 1~
Refrigerant	R134a
Application	MBP+HBP
Voltage range	187-254V
Starting torque	LST
Approvals	VDE
	CCC
	EAC

Electrical accessories / wiring diagram

RSIR

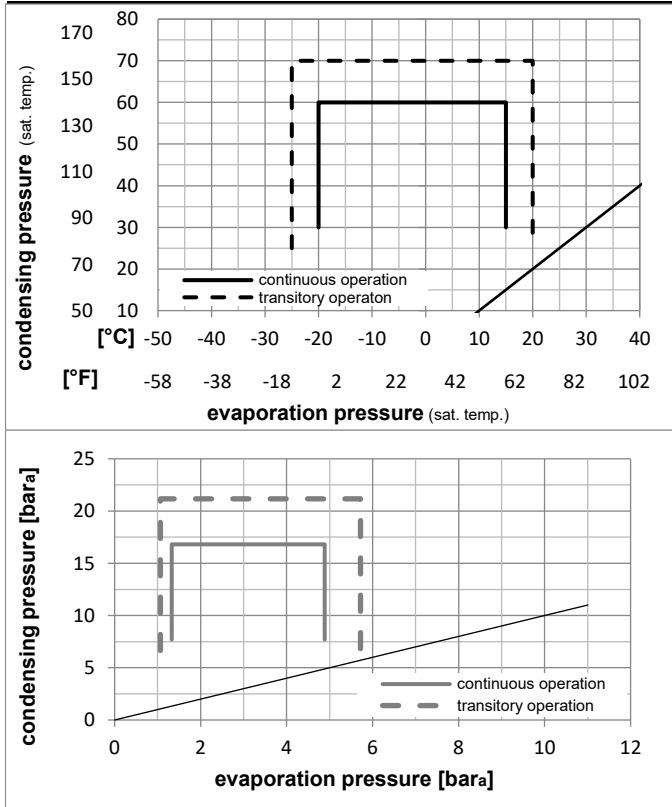


Ambient temperatures / system cooling

Ambient temperature min.:	10°C / 50°F
Ambient temperature max.:	43°C / 110°F

System cooling (n/a: outside limits)			
T ambient	LBP	MBP	HBP
32°C / 90°F	n/a	fan 3m/s	fan 3m/s
38°C / 100°F	n/a	fan 3m/s	fan 3m/s
43°C / 110°F	n/a	fan 3m/s	fan 3m/s

Operation pressure range



Components

a1	PTC starter (220V, 250hm, 4.8mm)	103N0018
b	plastic cover	103N2011
d	cord relief	103N1010
g	protection screen for PTC	103N0476

Alternative components

a1	PTC starter (220V, 250hm, 6.3mm)	103N0011
b	plastic cover	103N2011
d	cord relief	103N1010
g	protection screen for PTC	103N0476

Model

Designation **NL11MF** **220-240V/50Hz** Conf. 2 Sales code: **105G6156**

Optimization + standard conditions

R134a, 220V/50Hz, RSIR, fan 3m/s, VDE, CCC, EAC

		Evaporating pressure (saturation temperature)				Condensing pressure (saturation temperature)			Return gas temp.			Liquid temp.			Cooling capacity			COP	EER	Power consumption			
		pe	pc	RGT	Tliq	[W]	[Btu/h]	[kcal/h]	[W/W]	[Btu/Wh]	[kcal/Wh]	P1	I	m	[W]	[A]	[kg/h]						
[°C]	[°F]																						
[°C]	-7	54	35	46	626,5	2140	539,2	1,61	5,51	1,39	388,4	2,46	13,67	ASHRAE MBP									
[°F]	20	130	95	115																			
[°C]	-10	55	32	55	485,0	1656	417,4	1,35	4,60	1,16	360,0	2,37	11,73	cecomaf MBP									
[°F]	14	131	90	131																			
[°C]	-10	45	20	45	546,1	1865	470,0	1,59	5,44	1,37	342,8	2,31	12,78	EN12900 MBP									
[°F]	14	113	68	113																			
[°C]	-7	49	18	49	594,7	2031	511,8	1,58	5,40	1,36	376,3	2,42	14,69	ARI540 MBP									
[°F]	20	120	65	120																			
[°C]	-10	45	32	45	566,6	1935	487,6	1,65	5,64	1,42	342,8	2,31	12,40	opt									
[°F]	14	113	90	113																			
[°C]	-25	45	32	45	264,5	903	227,6	1,14	3,90	0,98	231,4	2,07	5,73	opt									
[°F]	-13	113	90	113																			

Performance tables

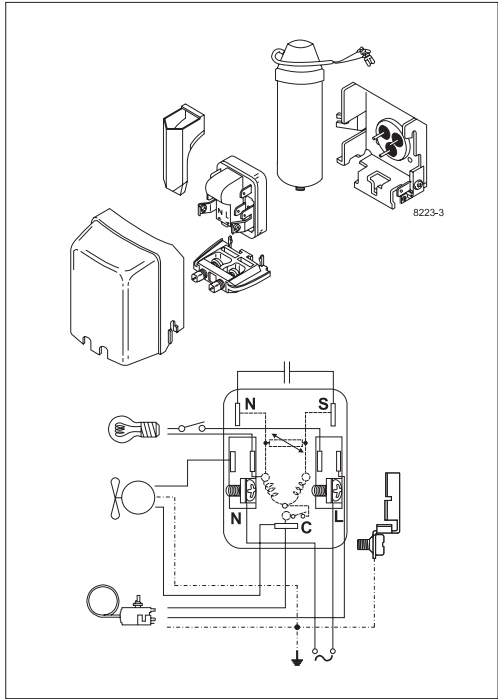
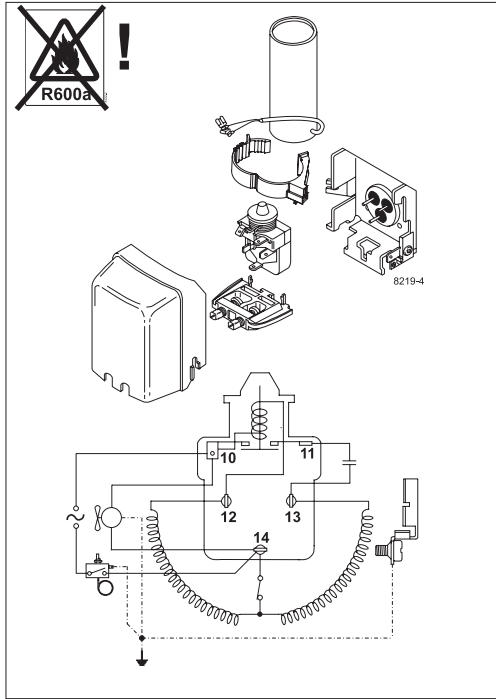
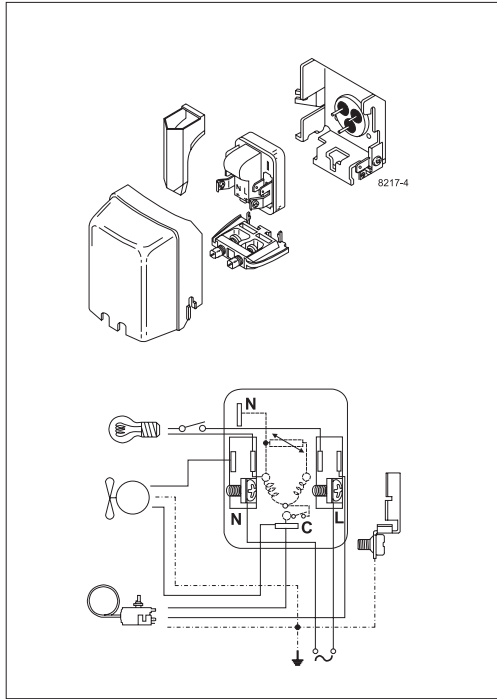
R134a, 220V/50Hz, RSIR, fan 3m/s, VDE, CCC, EAC

	pe		Cooling capacity			COP	EER	P1			I	m
	[°C]	[°F]	[W]	[Btu/h]	[kcal/h]	[W/W]	[Btu/Wh]	[kcal/Wh]	[W]	[A]	[kg/h]	
[°C / °F]	-20	-4	347,6	1187	299,2	1,30	4,44	1,12	267,5	2,13	7,55	
cond. pressure	-15	5	447,5	1528	385,1	1,47	5,01	1,26	304,8	2,21	9,75	
pc= 45/113	-10	14	566,6	1935	487,6	1,65	5,64	1,42	342,8	2,31	12,40	
return gas temp.	-5	23	707,6	2417	609,0	1,86	6,34	1,60	381,2	2,42	15,56	
RGT= 32/90	0	32	873,3	2982	751,6	2,08	7,11	1,79	419,5	2,55	19,31	
liquid temp	5	41	1066,2	3641	917,6	2,33	7,96	2,01	457,3	2,70	23,74	
Tliq= 45/113	15	59	1544,2	5274	1328,9	2,91	9,95	2,51	529,8	3,03	34,98	
[°C / °F]	-20	-4	292,0	997	251,3	1,06	3,63	0,92	274,5	2,14	7,00	
cond. pressure	-15	5	380,1	1298	327,1	1,20	4,10	1,03	316,5	2,25	9,15	
pc= 55/131	-10	14	485,0	1656	417,4	1,35	4,60	1,16	360,0	2,37	11,73	
return gas temp	-5	23	609,3	2081	524,4	1,51	5,15	1,30	404,5	2,51	14,81	
RGT= 32/90	0	32	755,7	2581	650,4	1,68	5,74	1,45	449,5	2,67	18,49	
liquid temp	5	41	926,8	3165	797,6	1,87	6,40	1,61	494,6	2,84	22,84	
Tliq= 55/131	15	59	1353,8	4623	1165,1	2,32	7,92	2,00	583,7	3,23	34,00	



8238-20

NL Compressors





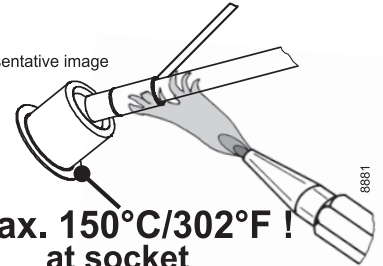
Service/Repair – R600a, R290



8545

Brazing on Suction Connectors (Direct Intake)

representative image



**! max. 150°C/302°F !
at socket**
brazing solder: phosphor (LP7) or silver

Refer to Product Bulletin:
**Brazing on Suction Connectors
(Compressors with Direct Suction Intake)**

Secop accepts no responsibility for possible errors in catalogs, brochures, and other printed material. Secop reserves the right to alter its products without notice. This also applies to products already on order provided that such alterations can be made without subsequential changes being necessary to specifications already agreed. All trademarks in this material are the property of the respective companies. Secop and the Secop logotype are trademarks of Secop GmbH. All rights reserved. www.secop.com