

Single Pack SC12G 220-240V 50Hz / 208-230V 60Hz RSIR

Codice Imballo Singolo: **195B4405**

Posizione	Titolo	Codice	Quantità
1	Compressor SC12G	104G8240	1
2	PTC starting device (220V, 250hm, 6.3mm)	103N0011	1
3	Cord relief	103N1004	1
4	Cover	103N2009	1
5	Bolt joint for one compressor M6 ø16mm	118-1917	1

Secop GmbH • Lise-Meitner-Straße 29 • 24941 Flensburg, Germany • Tel: +49 46149410 • www.secop.com

Secop non si assume alcuna responsabilità per eventuali errori presenti in cataloghi, brochure e altro materiale stampato. Secop si riserva il diritto di modificare i propri prodotti senza preavviso. Ciò vale anche per i prodotti già ordinati, a condizione che tali modifiche possano essere apportate senza che siano necessarie modifiche successive alle specifiche già concordate. Tutti i marchi presenti in questo materiale sono di proprietà delle rispettive aziende. Secop e il logo Secop sono marchi di Secop GmbH. Tutti i diritti sono riservati.

Model

Designation	SC12G	220-240V/50Hz 1~ 208-230V/60Hz 1~	Sales code:	104G8240
-------------	--------------	-----------------------------------	-------------	-----------------

Compressor design

Oil type	Polyolester	Refrigerant(s)	R134a, R513A
Oil viscosity	22cST	Displacement	12,87cm ³ / 0,79cu.in
Oil quantity	550cm ³ / 18,6fl.oz	Compressors on pallet	80
Refr. charge - tech. limit	1300g / 45,9oz		
Free gas volume comp.	1510cm ³ / 51,1fl.oz		
Weight	12,7kg / 28lbs		
Motor protection	1# internal		
Winding resistance main	6,9Ω (at 25°C)		
Winding resistance aux	11Ω (at 25°C)		
Max. winding temp.	125°C / 257°F		
Max. discharge temp.	130°C / 266°F		



General - Configurations with SC12G

	Conf. 1	Conf. 2	Conf. 3	Conf. 4	Conf. 5
Motorconfiguration	CSIR	CSIR	CSIR	CSIR	RSIR
Power supply (nominal)	220-240V/50Hz	208-230V/60Hz	220-240V/50Hz	208-230V/60Hz	220-240V/50Hz
Number of phases	1	1	1	1	1
Voltage range	187-254V	198-254V	187-254V	187-253V	187-254V
Approvals	VDE, UL, CCC, EAC, KC	VDE, UL, CCC, EAC, KC	VDE, UL, CCC	VDE, UL, CCC	VDE, UL, CCC, EAC, KC
Starting torque	HST	HST	HST	HST	LST
Note	- / -				

Applications with SC12G

	Conf. 1	Conf. 2	Conf. 3	Conf. 4	Conf. 5
Refrigerant	R134a	R134a	R513A	R513A	R134a
Application	LBP+MBP+HBP	LBP	LBP+MBP+HBP	LBP	LBP+MBP+HBP
System cooling	fan 3m/s	fan 3m/s	fan 3m/s	fan 3m/s	fan 3m/s
Hot gas defrost	OK	OK	OK	OK	OK
Long interval pull down	OK	OK	OK	OK	OK

Electrical data - Configurations with SC12G

	Conf. 1	Conf. 2	Conf. 3	Conf. 4	Conf. 5
Starting device type	relay	relay	relay	relay	PTC
Run capacitor	- / -	- / -	- / -	- / -	- / -
Start capacitor	80μF	80μF	80μF	80μF	- / -
LRA (locked rotor amps / 4s)	13A	13A	13A	13A	12,6A
RLA (rated load amps / 1s)	2,5A	2,5A	2,5A	2,5A	2,5A
Cut in current	17A	17A	17A	17A	12,6A

Model

Designation

SC12G

220-240V/50Hz 1~ 208-230V/60Hz 1~

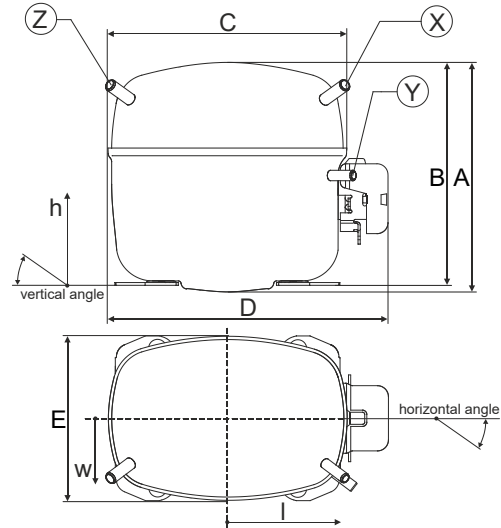
Sales code:

104G8240

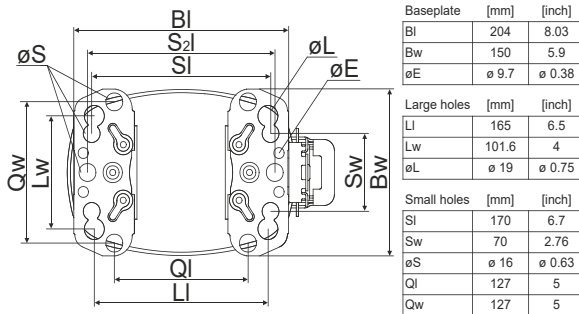
Compressor dimensions

Housing	A Height	209mm / 8,23in
	B Height	203mm / 7,99in
	C Length shell	218mm / 8,58in
	D Length w. cover	255mm / 10,04in
	E Width	151mm / 5,94in

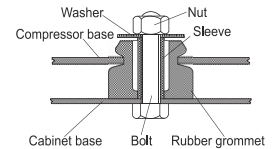
Connectors	Suction X	Discharge Y	Process Z
Diameter [mm]	øi 8,11-8,29	øi 6,11-6,29	øi 6,11-6,29
(i:inside, o:outside) [in]	øi 0,32-0,33	øi 0,24-0,25	øi 0,24-0,25
Material	copper	copper	copper
Horizontal angle ±2°	37°	37°	143°
Vertical angle ±2°	30°	0°	150°
Position l/h/w [mm]	107/183/55	115/100/63	-107/183/55
[in]	4,2/7,2/2,2	4,5/3,9/2,5	-4,2/7,2/2,2
Straight tube l. [mm]	12	12	12
[in]	0,5	0,5	0,5



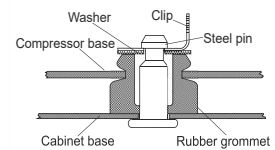
Compressor fixation



Bolt joint



Snap-on



Mounting accessories

Mounting accessories	one comp.	multi pack
Bolt joint M6 ø16mm	118-1917	118-1918
Bolt joint ø1/4" ø16mm	118-1946	
Bolt joint ø1/4" ø19mm	118-1949	
Snap-on ø7,3 ø16mm	118-1947	118-1919

Application notes

LRA value on compressor label and datasheet may differ due to different test conditions for UL approval.

Provision for PE Grounding is located at the PE Stamp on the compressor

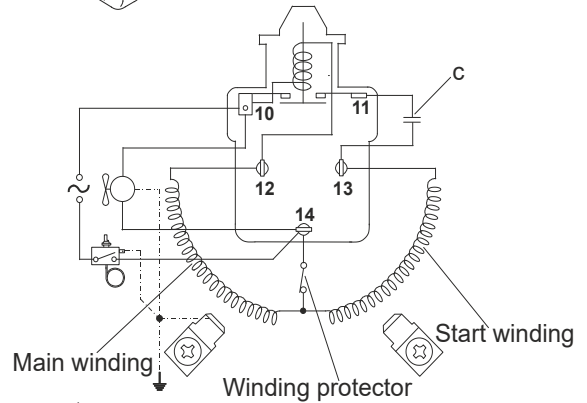
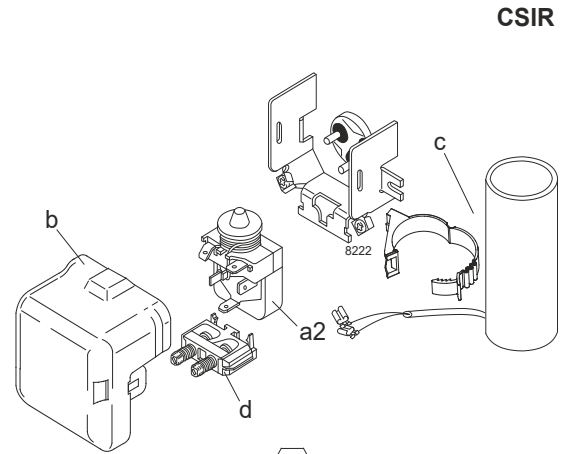
Model

Designation	SC12G	220-240V/50Hz	Conf. 1	Sales code:	104G8240
-------------	--------------	----------------------	----------------	-------------	-----------------

Configuration

Motorconfiguration	CSIR
Power supply (nominal)	220-240V/50Hz 1~
Refrigerant	R134a
Application	LBP+MBP+HBP
Voltage range	187-254V
Starting torque	HST
Approvals	VDE UL CCC EAC KC

Electrical accessories / wiring diagram

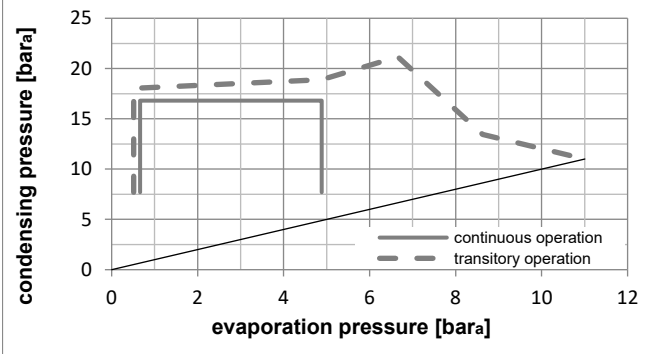
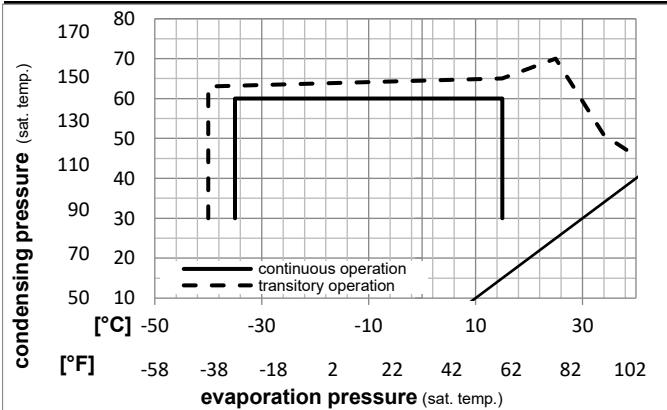


Ambient/ machine room temperatures minimum /maximum

Ambient temperature range:	10 - 43°C / 50 - 110°F
Machine room temperature range:	10 - 48°C / 50 - 119°F
Compressor cooling:	fan 3m/s

Operation Limits

Operation pressure range



Components

a2	assy. relay	117U6003
c	start capacitor (80μF)	117U5017
d	cord relief	103N1004
b	plastic cover	103N2009

Model

Designation **SC12G** **220-240V/50Hz** Conf. 1 Sales code: **104G8240**

Optimization + standard conditions

R134a, 220V/50Hz, CSIR, fan 3m/s, VDE, UL, CCC, EAC, KC

	Evaporating pressure (saturation temperature)				Condensing pressure (saturation temperature)			Return gas temp.	Liquid temp.	Cooling capacity	COP	EER	Power consumption			ASHRAE LBP
	pe	pc	RGT	Tliq	[W]	[Btu/h]	[kcal/h]						P1	I	Ref. mass flow	
[°C]																
[°F]																
	-23	54	32	32	247,5	845	213,0	1,03	3,52	0,89	240,3	1,87	4,81			
	-10	130	90	90												
	-25	55	32	55	175,0	598	150,6	0,77	2,63	0,66	226,8	1,83	4,18	cecomaf LBP		
	-13	131	90	131												
	-35	40	20	40	123,3	421	106,1	0,75	2,55	0,64	165,0	1,73	2,70	EN12900 LBP		
	-31	104	68	104												
	-7	54	35	46	615,0	2100	529,3	1,60	5,47	1,38	383,9	2,34	13,42	ASHRAE MBP		
	20	130	95	115												
	-10	55	32	55	464,1	1585	399,4	1,31	4,46	1,12	355,1	2,24	11,22	cecomaf MBP		
	14	131	90	131												
	-10	45	20	45	547,2	1869	470,9	1,61	5,51	1,39	339,2	2,15	12,81	EN12900 MBP		
	14	113	68	113												

Performance tables

R134a, 220V/50Hz, CSIR, fan 3m/s, VDE, UL, CCC, EAC, KC

	pe		Cooling capacity			COP	EER	P1	I	m	
	[°C]	[°F]	[W]	[Btu/h]	[kcal/h]	[W/W]	[Btu/Wh]	[kcal/Wh]	[W]	[A]	[kg/h]
[°C / °F]	-35	-31	102,6	350	88,3	0,65	2,21	0,56	158,5	1,69	2,21
cond. pressure	-25	-13	234,7	802	202,0	1,03	3,51	0,89	228,1	1,84	5,09
pc= 45/113	-15	5	435,5	1487	374,8	1,44	4,93	1,24	301,4	2,03	9,49
return gas temp.	-10	14	567,7	1939	488,5	1,67	5,71	1,44	339,2	2,15	12,42
RGT= 32/90	0	32	907,8	3100	781,2	2,18	7,44	1,88	416,6	2,42	20,07
liquid temp	5	41	1120,5	3827	964,3	2,46	8,39	2,11	456,0	2,58	24,95
Tliq= 45/113	15	59	1643,6	5613	1414,5	3,07	10,48	2,64	535,5	2,93	37,23
[°C / °F]	-35	-31	64,6	221	55,6	0,44	1,49	0,38	147,9	1,63	1,54
cond. pressure	-25	-13	175,0	598	150,6	0,77	2,63	0,66	226,8	1,83	4,18
pc= 55/131	-15	5	348,0	1188	299,5	1,12	3,82	0,96	311,1	2,09	8,38
return gas temp	-10	14	464,1	1585	399,4	1,31	4,46	1,12	355,1	2,24	11,22
RGT= 32/90	0	32	767,6	2621	660,6	1,72	5,88	1,48	446,1	2,57	18,77
liquid temp	5	41	959,8	3278	826,0	1,95	6,65	1,68	493,0	2,76	23,65
Tliq= 55/131	15	59	1437,3	4909	1237,0	2,44	8,34	2,10	588,7	3,17	36,10

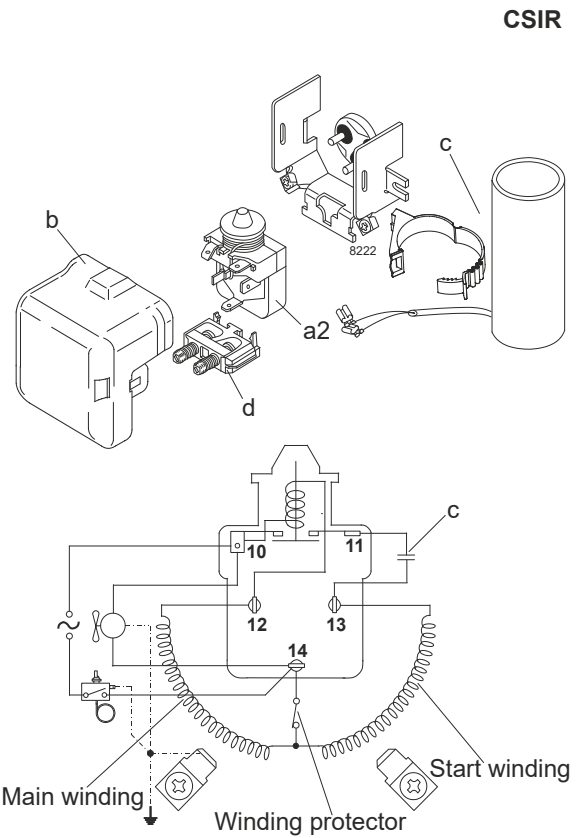
Model

Designation	SC12G	208-230V/60Hz	Conf. 2	Sales code:	104G8240
-------------	--------------	----------------------	----------------	-------------	-----------------

Configuration

Motorconfiguration	CSIR
Power supply (nominal)	208-230V/60Hz 1~
Refrigerant	R134a
Application	LBP
Voltage range	198-254V
Starting torque	HST
Approvals	VDE UL CCC EAC KC

Electrical accessories / wiring diagram

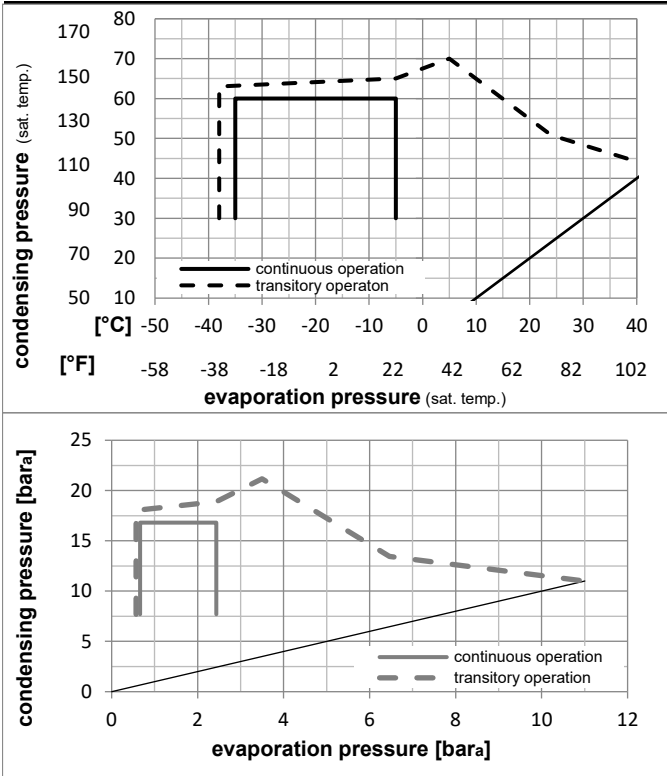


Ambient/ machine room temperatures minimum /maximum

Ambient temperature range:	10 - 43°C / 50 - 110°F
Machine room temperature range:	10 - 48°C / 50 - 119°F
Compressor cooling:	fan 3m/s

Operation Limits

Operation pressure range



Components

a2	assy. relay	117U6003
c	start capacitor (80μF)	117U5017
d	cord relief	103N1004
b	plastic cover	103N2009

Model

Designation	SC12G	208-230V/60Hz	Conf. 2	Sales code:	104G8240
-------------	--------------	----------------------	----------------	-------------	-----------------

Optimization + standard conditions

R134a, 230V/60Hz, CSIR, fan 3m/s, VDE, UL, CCC, EAC, KC

	Evaporating pressure (saturation temperature)				Condensing pressure (saturation temperature)			Return gas temp.	Liquid temp.	Cooling capacity			COP	EER	Power consumption			Ref. mass flow	
	pe	pc	RGT	Tliq	[W]	[Btu/h]	[kcal/h]			[W/W]	[Btu/Wh]	[kcal/Wh]			P1	I	m		
[°C]																			
[°F]																			
	-23	54	32	32	288,0	983	247,8	1,03	3,51	0,88	280,6	2,06	5,59	ASHRAE LBP					
	-10	130	90	90															
	-25	55	32	55	203,3	694	175,0	0,77	2,62	0,66	264,7	2,01	4,86	cecomaf LBP					
	-13	131	90	131															
	-35	40	20	40	142,9	488	123,0	0,74	2,54	0,64	192,4	1,90	3,14	EN12900 LBP					
	-31	104	68	104															
	-7	54	35	46	718,1	2452	618,0	1,60	5,47	1,38	448,6	2,57	15,67	ASHRAE MBP					
	20	130	95	115															
	-10	55	32	55	541,6	1850	466,1	1,31	4,46	1,12	414,9	2,46	13,10	cecomaf MBP					
	14	131	90	131															
	-10	45	20	45	638,9	2182	549,8	1,61	5,51	1,39	396,3	2,36	14,95	EN12900 MBP					
	14	113	68	113															

Performance tables

R134a, 230V/60Hz, CSIR, fan 3m/s, VDE, UL, CCC, EAC, KC

	pe		Cooling capacity			COP	EER	P1	I	m	
	[°C]	[°F]	[W]	[Btu/h]	[kcal/h]	[W/W]	[Btu/Wh]	[kcal/Wh]	[W]	[A]	[kg/h]
[°C / °F]	-35	-31	118,7	405	102,2	0,64	2,19	0,55	184,8	1,86	2,56
cond. pressure	-30	-22	187,4	640	161,2	0,83	2,84	0,72	224,9	1,93	4,05
pc= 45/113	-25	-13	273,3	933	235,2	1,03	3,51	0,88	266,3	2,02	5,92
return gas temp.	-23	-10	306,9	1048	264,1	1,09	3,74	0,94	280,6	2,05	6,66
RGT= 32/90	-20	-4	379,3	1295	326,4	1,23	4,20	1,06	308,7	2,12	8,24
liquid temp	-15	5	508,2	1735	437,3	1,44	4,93	1,24	352,1	2,23	11,08
Tliq= 45/113	-5	23	846,1	2889	728,1	1,92	6,55	1,65	441,2	2,51	18,60
[°C / °F]	-35	-31	74,2	254	63,9	0,43	1,47	0,37	172,4	1,79	1,77
cond. pressure	-30	-22	131,0	448	112,8	0,60	2,06	0,52	217,7	1,89	3,13
pc= 55/131	-25	-13	203,3	694	175,0	0,77	2,62	0,66	264,7	2,01	4,86
return gas temp	-23	-10	232,0	792	199,6	0,83	2,82	0,71	281,0	2,06	5,55
RGT= 32/90	-20	-4	294,0	1004	253,0	0,94	3,20	0,81	313,3	2,15	7,05
liquid temp	-15	5	405,8	1386	349,2	1,12	3,81	0,96	363,4	2,30	9,77
Tliq= 55/131	-5	23	704,3	2405	606,1	1,51	5,14	1,30	467,5	2,64	17,12

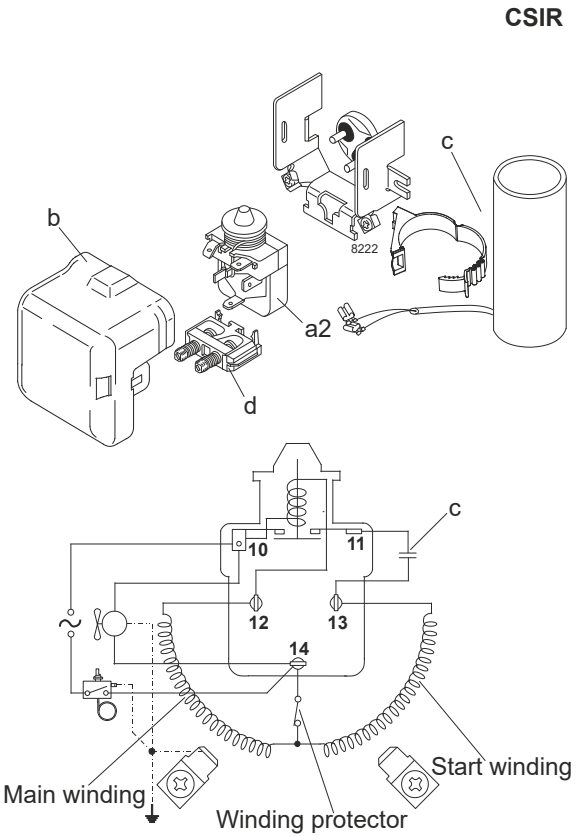
Model

Designation	SC12G	220-240V/50Hz	Conf. 3	Sales code:	104G8240
-------------	--------------	----------------------	----------------	-------------	-----------------

Configuration

Motorconfiguration	CSIR
Power supply (nominal)	220-240V/50Hz 1~
Refrigerant	R513A
Application	LBP+MBP+HBP
Voltage range	187-254V
Starting torque	HST
Approvals	VDE UL CCC

Electrical accessories / wiring diagram

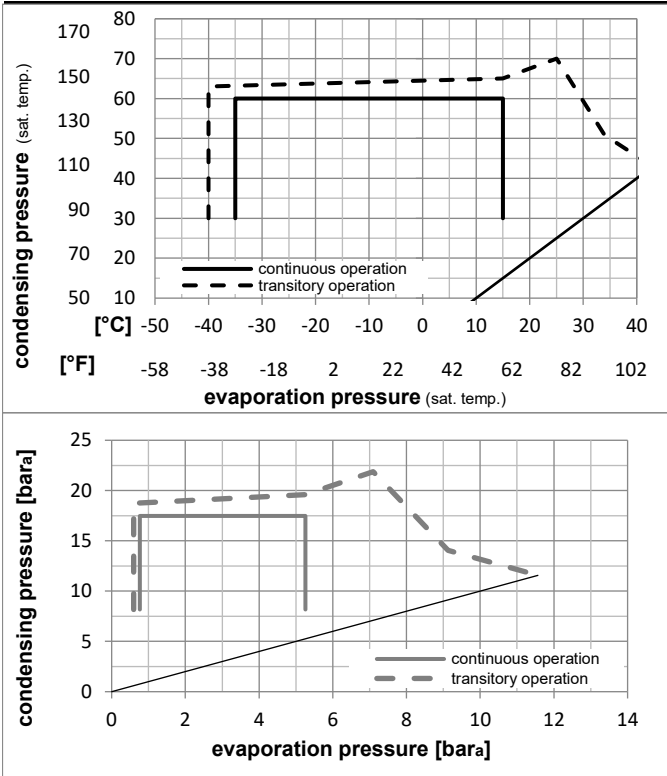


Ambient/ machine room temperatures minimum /maximum

Ambient temperature range:	10 - 43°C / 50 - 110°F
Machine room temperature range:	10 - 48°C / 50 - 119°F
Compressor cooling:	fan 3m/s

Operation Limits

Operation pressure range



Components

a2	assy. relay	117U6003
c	start capacitor (80μF)	117U5017
d	cord relief	103N1004
b	plastic cover	103N2009

Model

Designation **SC12G** **220-240V/50Hz** Conf. 3 Sales code: **104G8240**

Optimization + standard conditions

R513A, 220V/50Hz, CSIR, fan 3m/s, VDE, UL, CCC

		Evaporating pressure (saturation temperature)				Condensing pressure (saturation temperature)			Return gas temp.		Liquid temp.		Cooling capacity			COP	EER	Power consumption		
		pe	pc	RGT	Tliq	[W]	[Btu/h]	[kcal/h]	[W/W]	[Btu/Wh]	[kcal/Wh]	P1	I	m						
[°C]	[°F]	[°C]	[°F]	[°C]	[°F]							[W]	[A]	[kg/h]						
-23	-10	54	130	32	90	32	90	275,8	942	237,4	1,07	3,64	0,92	258,5	1,90	5,94				ASHRAE LBP
-25	-13	55	131	32	90	55	131	190,1	649	163,6	0,78	2,65	0,67	244,6	1,85	5,20				cecomaf LBP
-35	-31	40	104	20	68	40	104	139,6	477	120,2	0,78	2,68	0,68	178,0	1,62	3,45				EN12900 LBP
-7	20	54	130	35	95	46	115	646,9	2209	556,7	1,60	5,45	1,37	405,3	2,41	15,84				ASHRAE MBP
-10	14	55	131	32	90	55	131	482,7	1649	415,4	1,28	4,38	1,10	376,3	2,31	13,35				cecomaf MBP
-10	14	45	113	20	68	45	113	573,0	1957	493,1	1,60	5,46	1,38	358,4	2,25	15,19				EN12900 MBP

Performance tables

R513A, 220V/50Hz, CSIR, fan 3m/s, VDE, UL, CCC

	pe		Cooling capacity			COP	EER	P1	I	m	
	[°C]	[°F]	[W]	[Btu/h]	[kcal/h]	[W/W]	[Btu/Wh]	[kcal/Wh]	[W]	[A]	[kg/h]
[°C / °F]	-35	-31	117,5	401	101,1	0,68	2,34	0,59	171,6	1,60	2,85
cond. pressure	-25	-13	256,8	877	221,0	1,05	3,59	0,90	244,4	1,85	6,26
pc= 45/113	-15	5	464,3	1586	399,6	1,45	4,96	1,25	319,9	2,12	11,38
return gas temp.	-10	14	599,1	2046	515,6	1,67	5,71	1,44	358,4	2,25	14,73
RGT= 32/90	0	32	942,4	3218	811,0	2,16	7,37	1,86	436,5	2,52	23,37
liquid temp	5	41	1155,3	3945	994,2	2,43	8,29	2,09	475,8	2,66	28,82
Tliq= 45/113	15	59	1674,8	5720	1441,4	3,02	10,31	2,60	554,6	2,94	42,37
[°C / °F]	-35	-31	74,9	256	64,5	0,46	1,58	0,40	161,8	1,56	2,04
cond. pressure	-25	-13	190,1	649	163,6	0,78	2,65	0,67	244,6	1,85	5,20
pc= 55/131	-15	5	366,2	1251	315,1	1,10	3,77	0,95	331,5	2,16	10,09
return gas temp	-10	14	482,7	1649	415,4	1,28	4,38	1,10	376,3	2,31	13,35
RGT= 32/90	0	32	784,0	2678	674,7	1,68	5,72	1,44	468,0	2,63	21,90
liquid temp	5	41	973,3	3324	837,6	1,89	6,46	1,63	514,7	2,80	27,35
Tliq= 55/131	15	59	1440,2	4919	1239,5	2,36	8,07	2,03	609,5	3,13	41,13

Model

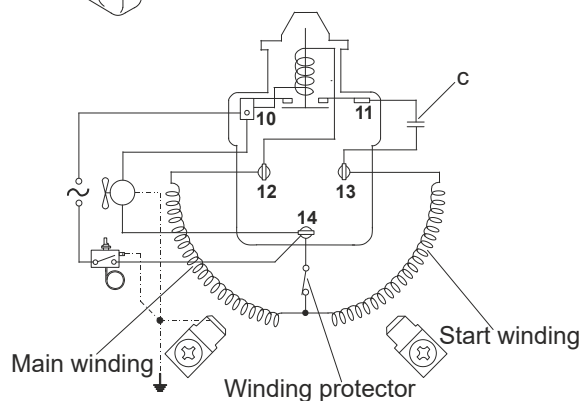
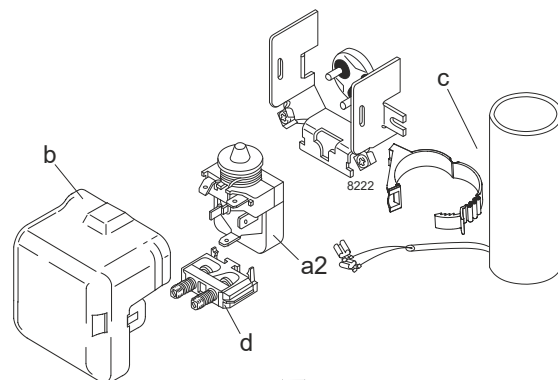
Designation	SC12G	208-230V/60Hz	Conf. 4	Sales code:	104G8240
-------------	--------------	----------------------	----------------	-------------	-----------------

Configuration

Motorconfiguration	CSIR
Power supply (nominal)	208-230V/60Hz 1~
Refrigerant	R513A
Application	LBP
Voltage range	187-253V
Starting torque	HST
Approvals	VDE UL CCC

Electrical accessories / wiring diagram

CSIR



Ambient/ machine room temperatures minimum /maximum

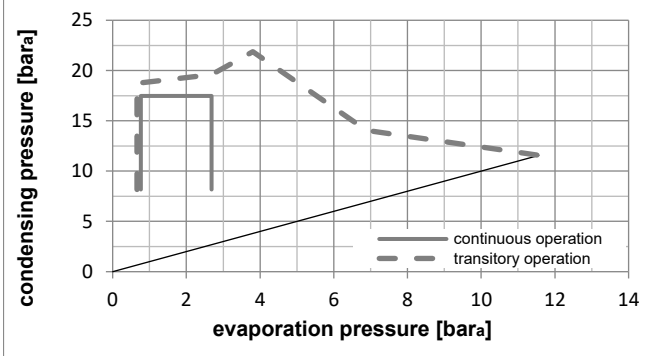
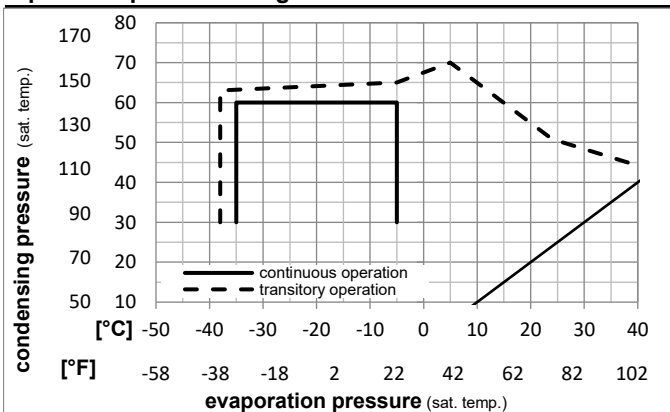
Ambient temperature range: 10 - 43°C / 50 - 110°F

Machine room temperature range: 10 - 48°C / 50 - 119°F

Compressor cooling: fan 3m/s

Operation Limits

Operation pressure range



Components

a2	assy. relay	117U6003
c	start capacitor (80μF)	117U5017
d	cord relief	103N1004
b	plastic cover	103N2009

Model

Designation	SC12G	208-230V/60Hz	Conf. 4	Sales code:	104G8240
-------------	--------------	----------------------	----------------	-------------	-----------------

Optimization + standard conditions

R513A, 230V/60Hz, CSIR, fan 3m/s, VDE, UL, CCC

	Evaporating pressure (saturation temperature)				Cooling capacity			COP	EER	P1	Power consumption			ASHRAE LBP
	pe	pc	RGT	Tliq	[W]	[Btu/h]	[kcal/h]				l	Ref. mass flow		
	[°C]	[°F]	[°C]	[°F]	[W]	[Btu/h]	[kcal/h]	[W/W]	[Btu/Wh]	[kcal/Wh]	[W]	[A]	[kg/h]	
	-23	54	32	32	320,8	1095	276,1	1,05	3,57	0,90	306,8	2,11	6,90	ASHRAE LBP
	-10	130	90	90										
	-25	55	32	55	220,8	754	190,0	0,76	2,60	0,65	290,6	2,06	6,05	cecomaf LBP
	-13	131	90	131										
	-35	40	20	40	162,0	553	139,4	0,77	2,62	0,66	211,5	1,80	4,01	EN12900 LBP
	-31	104	68	104										
	-7	54	35	46	755,0	2578	649,8	1,58	5,41	1,36	477,0	2,67	18,49	ASHRAE MBP
	20	130	95	115										
	-10	55	32	55	563,1	1923	484,6	1,27	4,34	1,09	443,4	2,56	15,57	cecomaf MBP
	14	131	90	131										
	-10	45	20	45	668,7	2284	575,5	1,58	5,41	1,36	422,4	2,49	17,72	EN12900 MBP
	14	113	68	113										

Performance tables

R513A, 230V/60Hz, CSIR, fan 3m/s, VDE, UL, CCC

	pe		Cooling capacity			COP	EER	P1	l	m	
	[°C]	[°F]	[W]	[Btu/h]	[kcal/h]						
[°C / °F]	-35	-31	136,0	465	117,1	0,67	2,27	0,57	204,5	1,77	3,30
cond. pressure	-30	-22	208,8	713	179,7	0,85	2,89	0,73	246,9	1,91	5,08
pc= 45/113	-25	-13	298,9	1021	257,3	1,03	3,52	0,89	289,9	2,05	7,29
return gas temp.	-23	-10	334,0	1141	287,4	1,10	3,74	0,94	304,7	2,10	8,15
RGT= 32/90	-20	-4	408,9	1397	351,9	1,23	4,19	1,06	333,6	2,20	9,99
liquid temp	-15	5	541,5	1849	466,0	1,43	4,90	1,23	377,7	2,34	13,27
Tliq= 45/113	-5	23	884,8	3022	761,5	1,89	6,47	1,63	467,4	2,64	21,84
[°C / °F]	-35	-31	86,2	294	74,2	0,44	1,52	0,38	193,9	1,74	2,35
cond. pressure	-30	-22	145,9	498	125,6	0,60	2,06	0,52	241,7	1,90	3,99
pc= 55/131	-25	-13	220,8	754	190,0	0,76	2,60	0,65	290,6	2,06	6,05
return gas temp	-23	-10	250,2	855	215,3	0,81	2,78	0,70	307,5	2,11	6,86
RGT= 32/90	-20	-4	313,6	1071	269,9	0,92	3,14	0,79	340,6	2,22	8,61
liquid temp	-15	5	426,8	1458	367,3	1,09	3,72	0,94	391,5	2,39	11,76
Tliq= 55/131	-5	23	725,2	2477	624,1	1,46	4,99	1,26	496,1	2,74	20,14

Model

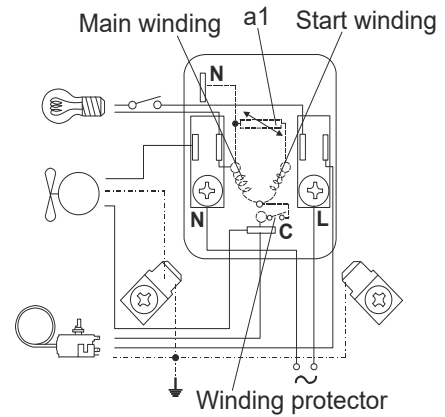
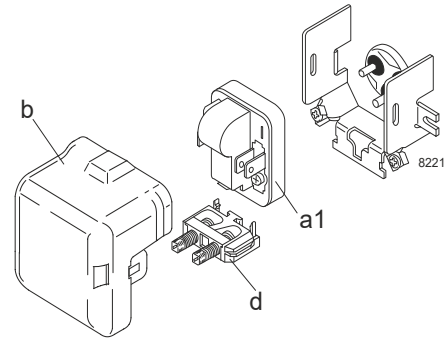
Designation	SC12G	220-240V/50Hz	Conf. 5	Sales code:	104G8240
-------------	--------------	----------------------	----------------	-------------	-----------------

Configuration

Motorconfiguration	RSIR
Power supply (nominal)	220-240V/50Hz 1~
Refrigerant	R134a
Application	LBP+MBP+HBP
Voltage range	187-254V
Starting torque	LST
Approvals	VDE UL CCC EAC KC

Electrical accessories / wiring diagram

RSIR

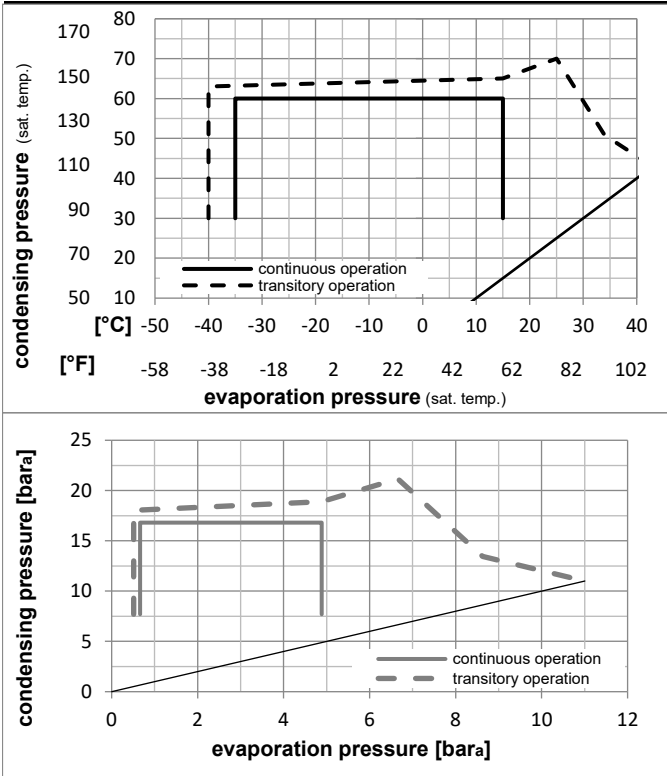


Ambient/ machine room temperatures minimum /maximum

Ambient temperature range:	10 - 43°C / 50 - 110°F
Machine room temperature range:	10 - 48°C / 50 - 119°F
Compressor cooling:	fan 3m/s

Operation Limits

Operation pressure range



Components

a1	PTC starter (220V, 250hm, 6.3mm)	103N0011
d	cord relief	103N1004
b	plastic cover	103N2009

Model

Designation **SC12G** **220-240V/50Hz** Conf. 5 Sales code: **104G8240**

Optimization + standard conditions

R134a, 220V/50Hz, RSIR, fan 3m/s, VDE, UL, CCC, EAC, KC

	Evaporating pressure (saturation temperature)				Cooling capacity			COP	EER	P1	Power consumption			ASHRAE LBP
	pe	pc	RGT	Tliq	[W]	[Btu/h]	[kcal/h]				l	Ref. mass flow		
	[°C]	[°F]	[°C]	[°F]	[W]	[Btu/h]	[kcal/h]	[W/W]	[Btu/Wh]	[kcal/Wh]	[W]	[A]	[kg/h]	
	-23	54	32	32	247,5	845	213,0	1,03	3,52	0,89	240,3	1,87	4,81	ASHRAE LBP
	-10	130	90	90										
	-25	55	32	55	175,0	598	150,6	0,77	2,63	0,66	226,8	1,83	4,18	cecomaf LBP
	-13	131	90	131										
	-35	40	20	40	123,3	421	106,1	0,75	2,55	0,64	165,0	1,73	2,70	EN12900 LBP
	-31	104	68	104										
	-7	54	35	46	615,0	2100	529,3	1,60	5,47	1,38	383,9	2,34	13,42	ASHRAE MBP
	20	130	95	115										
	-10	55	32	55	464,1	1585	399,4	1,31	4,46	1,12	355,1	2,24	11,22	cecomaf MBP
	14	131	90	131										
	-10	45	20	45	547,2	1869	470,9	1,61	5,51	1,39	339,2	2,15	12,81	EN12900 MBP
	14	113	68	113										

Performance tables

R134a, 220V/50Hz, RSIR, fan 3m/s, VDE, UL, CCC, EAC, KC

	pe		Cooling capacity			COP	EER	P1	l	m	
	[°C]	[°F]	[W]	[Btu/h]	[kcal/h]						
[°C / °F]	-35	-31	102,6	350	88,3	0,65	2,21	0,56	158,5	1,69	2,21
cond. pressure	-25	-13	234,7	802	202,0	1,03	3,51	0,89	228,1	1,84	5,09
pc= 45/113	-15	5	435,5	1487	374,8	1,44	4,93	1,24	301,4	2,03	9,49
return gas temp.	-10	14	567,7	1939	488,5	1,67	5,71	1,44	339,2	2,15	12,42
RGT= 32/90	0	32	907,8	3100	781,2	2,18	7,44	1,88	416,6	2,42	20,07
liquid temp	5	41	1120,5	3827	964,3	2,46	8,39	2,11	456,0	2,58	24,95
Tliq= 45/113	15	59	1643,6	5613	1414,5	3,07	10,48	2,64	535,5	2,93	37,23
[°C / °F]	-35	-31	64,6	221	55,6	0,44	1,49	0,38	147,9	1,63	1,54
cond. pressure	-25	-13	175,0	598	150,6	0,77	2,63	0,66	226,8	1,83	4,18
pc= 55/131	-15	5	348,0	1188	299,5	1,12	3,82	0,96	311,1	2,09	8,38
return gas temp	-10	14	464,1	1585	399,4	1,31	4,46	1,12	355,1	2,24	11,22
RGT= 32/90	0	32	767,6	2621	660,6	1,72	5,88	1,48	446,1	2,57	18,77
liquid temp	5	41	959,8	3278	826,0	1,95	6,65	1,68	493,0	2,76	23,65
Tliq= 55/131	15	59	1437,3	4909	1237,0	2,44	8,34	2,10	588,7	3,17	36,10



SC Compressors





SC Compressors

Service/Repair – R290



8545



Secop accepts no responsibility for possible errors in catalogs, brochures, and other printed material. Secop reserves the right to alter its products without notice. This also applies to products already on order provided that such alterations can be made without subsequent changes being necessary to specifications already agreed. All trademarks in this material are the property of the respective companies. Secop and the Secop logotype are trademarks of Secop GmbH. All rights reserved. www.secop.com