

## Single Pack SCE15CNLX 115V 60Hz CSCR

Codice Imballo Singolo: **195B4433**

| Posizione | Titolo                                     | Codice   | Quantità |
|-----------|--------------------------------------------|----------|----------|
| 1         | Compressor SCE15CNLX                       | 104H7578 | 1        |
| 2         | SC starting device (600mm)                 | 117-7801 | 1        |
| 3         | Bolt joint for one compressor   M6   ø16mm | 118-1917 | 1        |

**Secop GmbH** • Lise-Meitner-Straße 29 • 24941 Flensburg, Germany • Tel: +49 46149410 • [www.secop.com](http://www.secop.com)

Secop non si assume alcuna responsabilità per eventuali errori presenti in cataloghi, brochure e altro materiale stampato. Secop si riserva il diritto di modificare i propri prodotti senza preavviso. Ciò vale anche per i prodotti già ordinati, a condizione che tali modifiche possano essere apportate senza che siano necessarie modifiche successive alle specifiche già concordate. Tutti i marchi presenti in questo materiale sono di proprietà delle rispettive aziende. Secop e il logo Secop sono marchi di Secop GmbH. Tutti i diritti sono riservati.

## Model

|             |                  |              |             |                 |
|-------------|------------------|--------------|-------------|-----------------|
| Designation | <b>SCE15CNLX</b> | 115V/60Hz 1~ | Sales code: | <b>104H7578</b> |
|-------------|------------------|--------------|-------------|-----------------|

## Compressor design

|                            |                                 |                       |                                  |
|----------------------------|---------------------------------|-----------------------|----------------------------------|
| Oil type                   | Polyolester                     | Refrigerant(s)        | <b>R290</b>                      |
| Oil viscosity              | 32cSt                           | Displacement          | 15,28cm <sup>3</sup> / 0,93cu.in |
| Oil quantity               | 569cm <sup>3</sup> / 19,2fl.oz  | Compressors on pallet | 80                               |
| Refr. charge - tech. limit | 450g / 15,9oz                   |                       |                                  |
| Free gas volume comp.      | 1460cm <sup>3</sup> / 49,4fl.oz |                       |                                  |
| Weight                     | 14,2kg / 31,3lbs                |                       |                                  |
| Motor protection           | external                        |                       |                                  |
| Winding resistance main    | 0,82Ω (at 25°C)                 |                       |                                  |
| Winding resistance aux     | 2,83Ω (at 25°C)                 |                       |                                  |
| Max. winding temp.         | 125°C / 257°F                   |                       |                                  |
| Max. discharge temp.       | 135°C / 275°F                   |                       |                                  |



## General - Configurations with SCE15CNLX

|                        | <b>Conf. 1</b>                                                    | <b>Conf. 2</b> | <b>Conf. 3</b> |
|------------------------|-------------------------------------------------------------------|----------------|----------------|
| Motorconfiguration     | CSCR                                                              | CSCR           | CSIR           |
| Power supply (nominal) | 115-127V/60Hz                                                     | 115-127V/60Hz  | 115-127V/60Hz  |
| Number of phases       | 1                                                                 | 1              | 1              |
| Voltage range          | 103-127V                                                          | 95-135V        | 103-127V       |
| Approvals              | UL                                                                | UL             | UL             |
| Starting torque        | HST                                                               | HST            | HST            |
| Note                   | Protector and cover are included and pre-assembled to compressor. |                |                |

## Applications with SCE15CNLX

|                         | <b>Conf. 1</b> | <b>Conf. 2</b> | <b>Conf. 3</b> |
|-------------------------|----------------|----------------|----------------|
| Refrigerant             | R290           | R290           | R290           |
| Application             | LBP            | LBP            | LBP            |
| System cooling          | fan 3m/s       | fan 3m/s       | fan 3m/s       |
| Hot gas defrost         | OK             | OK             | OK             |
| Long interval pull down | -/-            | -/-            | -/-            |

## Electrical data - Configurations with SCE15CNLX

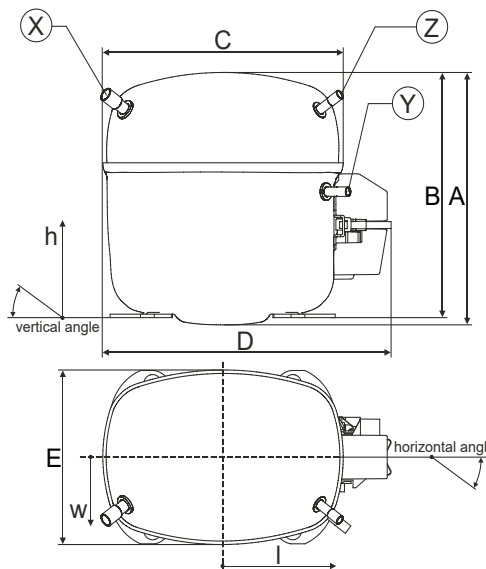
|                                    | <b>Conf. 1</b> | <b>Conf. 2</b> | <b>Conf. 3</b> |
|------------------------------------|----------------|----------------|----------------|
| Starting device type               | relay          | relay          | relay          |
| Run capacitor                      | 23,5μF         | 23,5μF         | -/-            |
| Start capacitor                    | 280μF          | 280μF          | 280μF          |
| LRA (locked rotor amps / 4s/ U(N)) | 40,4A          | 40,4A          | 39,66A         |
| RLA (rated load amps / 1s/ U(N))   | 6,85A          | 6,85A          | 7,7A           |
| Cut in current (U(N))              | 40,4A          | 40,4A          | 39,66A         |

## Model

|             |                  |              |             |                 |
|-------------|------------------|--------------|-------------|-----------------|
| Designation | <b>SCE15CNLX</b> | 115V/60Hz 1~ | Sales code: | <b>104H7578</b> |
|-------------|------------------|--------------|-------------|-----------------|

## Compressor dimensions

|                |                   |                 |
|----------------|-------------------|-----------------|
| <b>Housing</b> | A Height          | 219mm / 8,62in  |
|                | B Height          | 213mm / 8,39in  |
|                | C Length shell    | 218mm / 8,58in  |
|                | D Length w. cover | 255mm / 10,04in |
|                | E Width           | 151mm / 5,94in  |



| Connectors       |                            | Suction      | Discharge    | Process      |
|------------------|----------------------------|--------------|--------------|--------------|
|                  |                            | X            | Y            | Z            |
| Diameter         | [mm]                       | øi 9,54-9,72 | øi 6,41-6,59 | øi 6,41-6,59 |
|                  | (i:inside, o:outside) [in] | øi 0,38-0,38 | øi 0,25-0,26 | øi 0,25-0,26 |
| Material         |                            | copper       | copper       | copper       |
| Horizontal angle | ±2°                        | 37°          | 37°          | 143°         |
| Vertical angle   | ±2°                        | 30°          | 0°           | 150°         |
| Position l/h/w   | [mm]                       | 107/193/55   | 115/110/63   | -107/193/55  |
|                  | [in]                       | 4,2/7,6/2,2  | 4,5/4,3/2,5  | -4,2/7,6/2,2 |
| Straight tube l. | [mm]                       | 12           | 12           | 12           |
|                  | [in]                       | 0,5          | 0,5          | 0,5          |

## Compressor fixation

| Baseplate | [mm]  | [inch] |
|-----------|-------|--------|
| BI        | 204   | 8.03   |
| Bw        | 150   | 5.9    |
| øE        | ø 9.7 | ø 0.38 |

| Large holes | [mm]  | [inch] |
|-------------|-------|--------|
| LI          | 165   | 6.5    |
| Lw          | 101.6 | 4      |
| øL          | ø 19  | ø 0.75 |

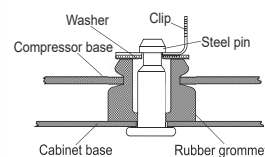
  

| Small holes | [mm] | [inch] |
|-------------|------|--------|
| SI          | 170  | 6.7    |
| Sw          | 70   | 2.76   |
| øS          | ø 16 | ø 0.63 |
| QI          | 127  | 5      |
| Qw          | 127  | 5      |

### Bolt joint



### Snap-on



## Mounting accessories

|                            | one comp. | multi pack |
|----------------------------|-----------|------------|
| Bolt joint   M6   ø16mm    | 118-1917  | 118-1918   |
| Bolt joint   ø1/4"   ø16mm | 118-1946  |            |
| Bolt joint   ø1/4"   ø19mm | 118-1949  |            |
| Snap-on   ø7,3   ø16mm     | 118-1947  | 118-1919   |

## Application notes

Provision for PE Grounding is located at the PE Stamp on the compressor

## Model

|             |                  |                      |                |             |                 |
|-------------|------------------|----------------------|----------------|-------------|-----------------|
| Designation | <b>SCE15CNLX</b> | <b>115-127V/60Hz</b> | <b>Conf. 1</b> | Sales code: | <b>104H7578</b> |
|-------------|------------------|----------------------|----------------|-------------|-----------------|

## Configuration

|                        |                  |
|------------------------|------------------|
| Motor configuration    | CSCR             |
| Power supply (nominal) | 115-127V/60Hz 1~ |
| Refrigerant            | R290             |
| Application            | LBP              |
| Voltage range          | 103-127V         |
| Starting torque        | HST              |
| Approvals              | UL               |

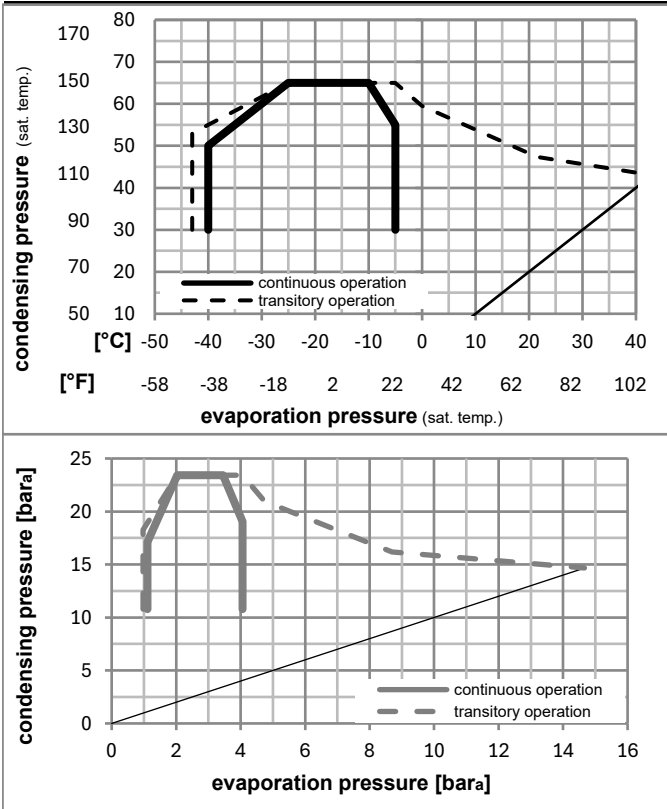
## Electrical accessories / wiring diagram



## Ambient/ machine room temperatures minimum /maximum

|                                 |                        |
|---------------------------------|------------------------|
| Ambient temperature range:      | 10 - 43°C / 50 - 110°F |
| Machine room temperature range: | 10 - 48°C / 50 - 119°F |
| Compressor cooling:             | fan 3m/s               |

## Operation pressure range



## Components (protector (f)+ holder (h)+ cover (b): pre assembled)

|    |                        |          |
|----|------------------------|----------|
| a3 | SC starter kit (550mm) | 117-7801 |
| h  | protector holder       | 117U0439 |
| f  | ext. protector (T1101) | 117U3218 |
| b  | plastic cover + clamp  | 117U1021 |

## Alternative comp.

|    |                                |          |
|----|--------------------------------|----------|
| a2 | potential relay (RVA 7AA3R)    | 117-7441 |
| e  | run capacitor (23,5μF, 6.3mm)  | 117-7133 |
| c  | start capacitor (280μF, 6.3mm) | 117U5350 |

## Model

Designation **SCE15CNLX 115-127V/60Hz** Conf. 1 Sales code: **104H7578**

## Optimization + standard conditions

R290, 115V/60Hz, CSCR, fan 3m/s, UL

|             | pe   | pc   | RGT  | Tliq | Cooling capacity | COP      | EER       | P1    | I    | Ref. mass flow |  |
|-------------|------|------|------|------|------------------|----------|-----------|-------|------|----------------|--|
|             | [°C] | [°C] | [°C] | [°C] | [W]              | [W/W]    | [Btu/Wh]  | [W]   | [A]  | [kg/h]         |  |
|             | [°F] | [°F] | [°F] | [°F] | [Btu/h]          | [kcal/h] | [kcal/Wh] | [W]   | [A]  | [kg/h]         |  |
| ASHRAE LBP  | -23  | 54   | 32   | 32   | 799,7            | 1,58     | 5,38      | 507,4 | 4,90 | 8,10           |  |
|             | -10  | 130  | 90   | 90   |                  |          | 1,36      |       |      |                |  |
| cecomaf LBP | -25  | 55   | 32   | 55   | 583,1            | 1,22     | 4,15      | 479,5 | 4,70 | 7,26           |  |
|             | -13  | 131  | 90   | 131  |                  |          | 1,05      |       |      |                |  |
| EN12900 LBP | -35  | 40   | 20   | 40   | 403,0            | 1,18     | 4,03      | 341,6 | 3,67 | 4,60           |  |
|             | -31  | 104  | 68   | 104  |                  |          | 1,02      |       |      |                |  |
| ARI540 LBP  | -23  | 49   | 4,4  | 49   | 664,6            | 1,33     | 4,54      | 500,4 | 4,78 | 9,20           |  |
|             | -10  | 120  | 40   | 120  |                  |          | 1,14      |       |      |                |  |
| AHAM LBP    | -23  | 41   | 32   | 32   | 915,5            | 1,91     | 6,51      | 480,3 | 4,60 | 9,27           |  |
|             | -10  | 105  | 90   | 90   |                  |          | 1,64      |       |      |                |  |
| opt         | -35  | 45   | 32   | 45   | 347,6            | 1,05     | 3,59      | 330,9 | 3,56 | 3,89           |  |
|             | -31  | 113  | 90   | 113  |                  |          | 0,90      |       |      |                |  |

## Performance tables

R290, 115V/60Hz, CSCR, fan 3m/s, UL

|                  | pe   | Cooling capacity |        |         | COP      | EER   | P1       | I         | m     |      |        |
|------------------|------|------------------|--------|---------|----------|-------|----------|-----------|-------|------|--------|
|                  | [°C] | [°F]             | [W]    | [Btu/h] | [kcal/h] | [W/W] | [Btu/Wh] | [kcal/Wh] | [W]   | [A]  | [kg/h] |
| [°C / °F]        | -40  | -40              | 172,4  | 589     | 148,4    | 0,70  | 2,38     | 0,60      | 247,6 | 3,07 | 1,93   |
| cond. pressure   | -34  | -30              | 367,3  | 1254    | 316,1    | 1,08  | 3,69     | 0,93      | 339,6 | 3,61 | 4,12   |
| pc= 45/113       | -29  | -20              | 569,7  | 1946    | 490,3    | 1,35  | 4,62     | 1,17      | 420,8 | 4,16 | 6,41   |
| return gas temp. | -23  | -10              | 787,7  | 2690    | 677,9    | 1,60  | 5,48     | 1,38      | 491,3 | 4,69 | 8,89   |
| RGT= 32/90       | -21  | -5               | 905,0  | 3091    | 778,9    | 1,73  | 5,91     | 1,49      | 522,7 | 4,94 | 10,24  |
| liquid temp      | -15  | 5                | 1161,3 | 3966    | 999,4    | 2,01  | 6,86     | 1,73      | 577,8 | 5,42 | 13,21  |
| Tliq= 45/113     | -5   | 23               | 1717,5 | 5865    | 1478,1   | 2,63  | 8,99     | 2,27      | 652,2 | 6,15 | 19,77  |
| [°C / °F]        | -40  | -40              | 48,9   | 167     | 42,1     | 0,28  | 0,97     | 0,25      | 171,6 | 2,63 | 0,60   |
| cond. pressure   | -34  | -30              | 244,7  | 836     | 210,6    | 0,82  | 2,81     | 0,71      | 297,6 | 3,42 | 3,03   |
| pc= 55/131       | -29  | -20              | 441,1  | 1506    | 379,6    | 1,08  | 3,68     | 0,93      | 409,5 | 4,18 | 5,48   |
| return gas temp  | -23  | -10              | 645,9  | 2206    | 555,9    | 1,27  | 4,35     | 1,10      | 507,4 | 4,91 | 8,05   |
| RGT= 32/90       | -21  | -5               | 754,0  | 2575    | 648,9    | 1,37  | 4,67     | 1,18      | 551,3 | 5,25 | 9,43   |
| liquid temp      | -15  | 5                | 986,6  | 3369    | 849,0    | 1,57  | 5,36     | 1,35      | 628,9 | 5,89 | 12,40  |
| Tliq= 55/131     | -5   | 23               | 1482,1 | 5062    | 1275,5   | 2,02  | 6,88     | 1,73      | 735,4 | 6,83 | 18,88  |

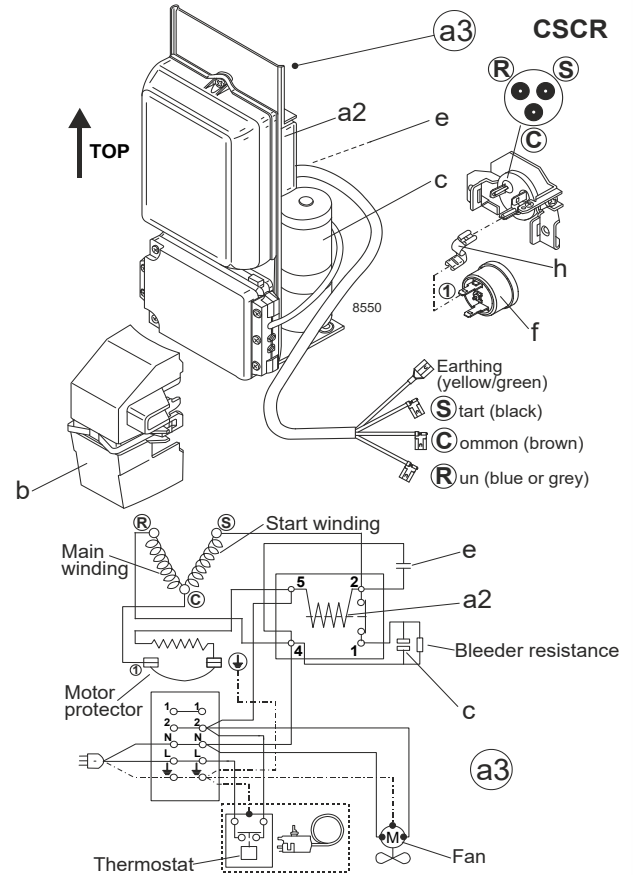
## Model

|             |                  |                      |                |             |                 |
|-------------|------------------|----------------------|----------------|-------------|-----------------|
| Designation | <b>SCE15CNLX</b> | <b>115-127V/60Hz</b> | <b>Conf. 2</b> | Sales code: | <b>104H7578</b> |
|-------------|------------------|----------------------|----------------|-------------|-----------------|

## Configuration

|                        |                  |
|------------------------|------------------|
| Motor configuration    | CSCR             |
| Power supply (nominal) | 115-127V/60Hz 1~ |
| Refrigerant            | R290             |
| Application            | LBP              |
| Voltage range          | 95-135V          |
| Starting torque        | HST              |
| Approvals              | UL               |

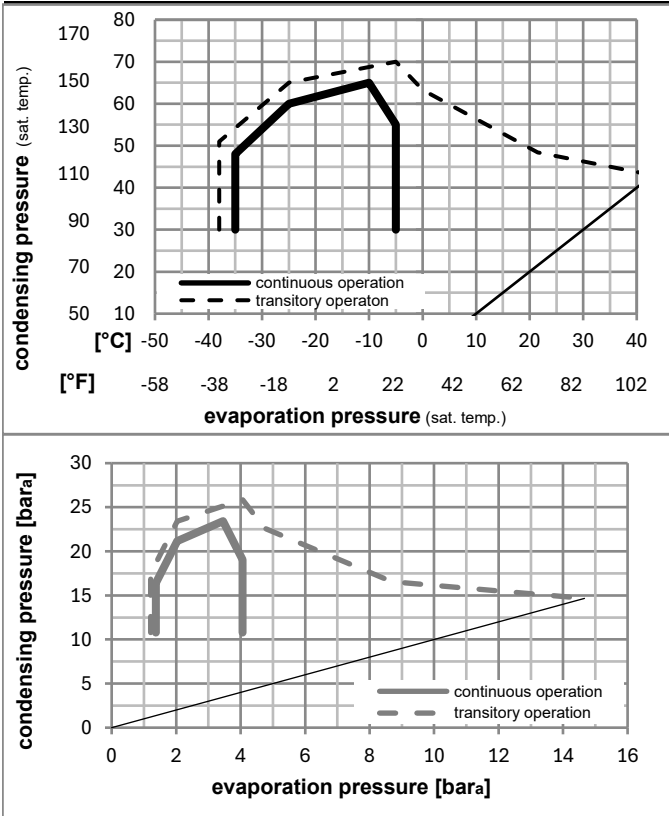
## Electrical accessories / wiring diagram



## Ambient/ machine room temperatures minimum /maximum

|                                 |                        |
|---------------------------------|------------------------|
| Ambient temperature range:      | 10 - 43°C / 50 - 110°F |
| Machine room temperature range: | 10 - 48°C / 50 - 119°F |
| Compressor cooling:             | fan 3m/s               |

## Operation pressure range



## Components (protector (f)+ holder (h)+ cover (b): pre assembled)

|    |                        |          |
|----|------------------------|----------|
| a3 | SC starter kit (550mm) | 117-7801 |
| h  | protector holder       | 117U0439 |
| f  | ext. protector (T1101) | 117U3218 |
| b  | plastic cover + clamp  | 117U1021 |

## Alternative comp.

|    |                                |          |
|----|--------------------------------|----------|
| a2 | potential relay (RVA 7AA3R)    | 117-7441 |
| e  | run capacitor (23,5µF, 6.3mm)  | 117-7133 |
| c  | start capacitor (280µF, 6.3mm) | 117U5350 |

### Model

Designation **SCE15CNLX 115-127V/60Hz** Conf. 2 Sales code: **104H7578**

### Optimization + standard conditions

R290, 115V/60Hz, CSCR, fan 3m/s, UL

|  | Evaporating pressure (saturation temperature) |      |      |      | Cooling capacity | COP     | EER      | Power consumption |          |           | ASHRAE LBP |      |        |             |
|--|-----------------------------------------------|------|------|------|------------------|---------|----------|-------------------|----------|-----------|------------|------|--------|-------------|
|  | pe                                            | pc   | RGT  | Tliq |                  |         |          | P1                | I        | m         |            |      |        |             |
|  | [°C]                                          | [°F] | [°C] | [°F] | [W]              | [Btu/h] | [kcal/h] | [W/W]             | [Btu/Wh] | [kcal/Wh] | [W]        | [A]  | [kg/h] |             |
|  | -23                                           | 54   | 32   | 32   | 799,7            | 2731    | 688,2    | 1,58              | 5,38     | 1,36      | 507,4      | 4,90 | 8,10   | ASHRAE LBP  |
|  | -10                                           | 130  | 90   | 90   |                  |         |          |                   |          |           |            |      |        |             |
|  | -25                                           | 55   | 32   | 55   | 583,1            | 1991    | 501,8    | 1,22              | 4,15     | 1,05      | 479,5      | 4,70 | 7,26   | cecomaf LBP |
|  | -13                                           | 131  | 90   | 131  |                  |         |          |                   |          |           |            |      |        |             |
|  | -35                                           | 40   | 20   | 40   | 403,0            | 1376    | 346,8    | 1,18              | 4,03     | 1,02      | 341,6      | 3,67 | 4,60   | EN12900 LBP |
|  | -31                                           | 104  | 68   | 104  |                  |         |          |                   |          |           |            |      |        |             |
|  | -23                                           | 49   | 4,4  | 49   | 664,6            | 2270    | 572,0    | 1,33              | 4,54     | 1,14      | 500,4      | 4,78 | 9,20   | ARI540 LBP  |
|  | -10                                           | 120  | 40   | 120  |                  |         |          |                   |          |           |            |      |        |             |
|  | -23                                           | 41   | 32   | 32   | 915,5            | 3127    | 787,9    | 1,91              | 6,51     | 1,64      | 480,3      | 4,60 | 9,27   | AHAM LBP    |
|  | -10                                           | 105  | 90   | 90   |                  |         |          |                   |          |           |            |      |        |             |
|  | -35                                           | 45   | 32   | 45   | 347,6            | 1187    | 299,1    | 1,05              | 3,59     | 0,90      | 330,9      | 3,56 | 3,89   | opt         |
|  | -31                                           | 113  | 90   | 113  |                  |         |          |                   |          |           |            |      |        |             |

### Performance tables

R290, 115V/60Hz, CSCR, fan 3m/s, UL

|                  | pe   |      | Cooling capacity |         |          | COP   | EER      | P1        | I     | m    |        |
|------------------|------|------|------------------|---------|----------|-------|----------|-----------|-------|------|--------|
|                  | [°C] | [°F] | [W]              | [Btu/h] | [kcal/h] | [W/W] | [Btu/Wh] | [kcal/Wh] | [W]   | [A]  | [kg/h] |
| [°C / °F]        | -35  | -31  | 347,6            | 1187    | 299,1    | 1,05  | 3,59     | 0,90      | 330,9 | 3,56 | 3,89   |
| cond. pressure   | -29  | -20  | 569,7            | 1946    | 490,3    | 1,35  | 4,62     | 1,17      | 420,8 | 4,16 | 6,41   |
| pc= 45/113       | -26  | -15  | 676,2            | 2309    | 582,0    | 1,48  | 5,05     | 1,27      | 457,3 | 4,42 | 7,62   |
| return gas temp. | -23  | -10  | 787,7            | 2690    | 677,9    | 1,60  | 5,48     | 1,38      | 491,3 | 4,69 | 8,89   |
| RGT= 32/90       | -21  | -5   | 905,0            | 3091    | 778,9    | 1,73  | 5,91     | 1,49      | 522,7 | 4,94 | 10,24  |
| liquid temp      | -15  | 5    | 1161,3           | 3966    | 999,4    | 2,01  | 6,86     | 1,73      | 577,8 | 5,42 | 13,21  |
| Tliq= 45/113     | -5   | 23   | 1717,5           | 5865    | 1478,1   | 2,63  | 8,99     | 2,27      | 652,2 | 6,15 | 19,77  |
| [°C / °F]        | -35  | -31  | 225,2            | 769     | 193,8    | 0,79  | 2,69     | 0,68      | 285,7 | 3,34 | 2,78   |
| cond. pressure   | -29  | -20  | 441,1            | 1506    | 379,6    | 1,08  | 3,68     | 0,93      | 409,5 | 4,18 | 5,48   |
| pc= 55/131       | -26  | -15  | 541,9            | 1851    | 466,4    | 1,18  | 4,02     | 1,01      | 460,2 | 4,55 | 6,74   |
| return gas temp  | -23  | -10  | 645,9            | 2206    | 555,9    | 1,27  | 4,35     | 1,10      | 507,4 | 4,91 | 8,05   |
| RGT= 32/90       | -21  | -5   | 754,0            | 2575    | 648,9    | 1,37  | 4,67     | 1,18      | 551,3 | 5,25 | 9,43   |
| liquid temp      | -15  | 5    | 986,6            | 3369    | 849,0    | 1,57  | 5,36     | 1,35      | 628,9 | 5,89 | 12,40  |
| Tliq= 55/131     | -5   | 23   | 1482,1           | 5062    | 1275,5   | 2,02  | 6,88     | 1,73      | 735,4 | 6,83 | 18,88  |

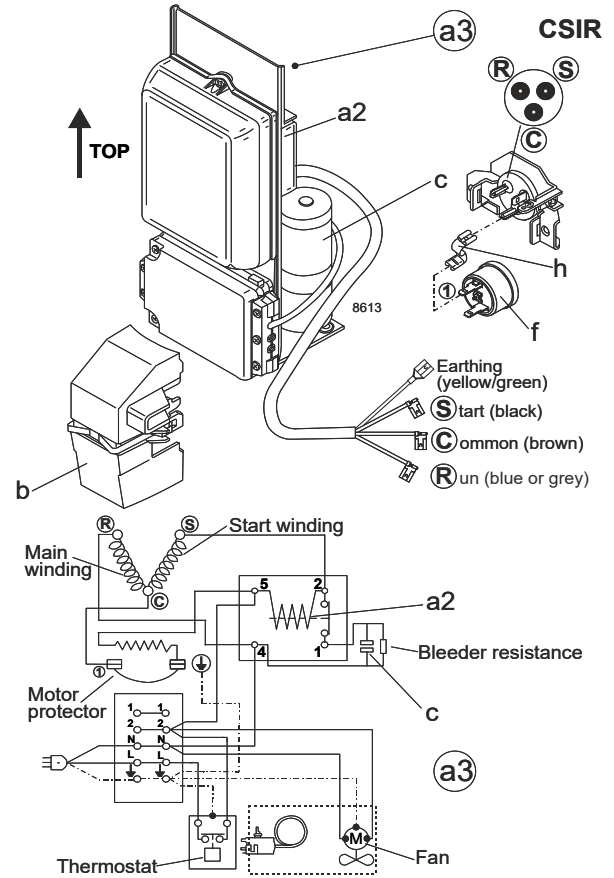
## Model

|             |                  |                      |                |             |                 |
|-------------|------------------|----------------------|----------------|-------------|-----------------|
| Designation | <b>SCE15CNLX</b> | <b>115-127V/60Hz</b> | <b>Conf. 3</b> | Sales code: | <b>104H7578</b> |
|-------------|------------------|----------------------|----------------|-------------|-----------------|

## Configuration

|                        |                  |
|------------------------|------------------|
| Motor configuration    | CSIR             |
| Power supply (nominal) | 115-127V/60Hz 1~ |
| Refrigerant            | R290             |
| Application            | LBP              |
| Voltage range          | 103-127V         |
| Starting torque        | HST              |
| Approvals              | UL               |

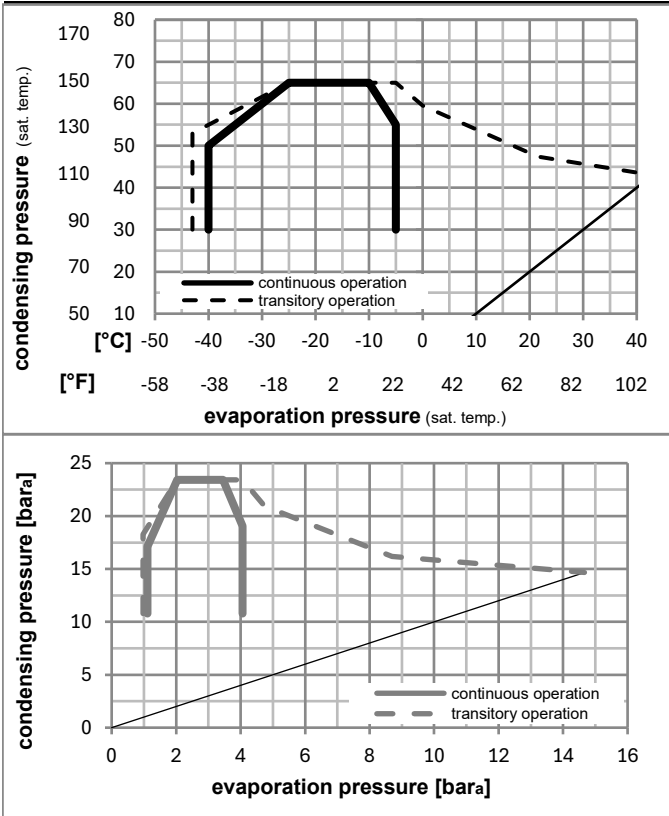
## Electrical accessories / wiring diagram



## Ambient/ machine room temperatures minimum /maximum

|                                 |                        |
|---------------------------------|------------------------|
| Ambient temperature range:      | 10 - 43°C / 50 - 110°F |
| Machine room temperature range: | 10 - 48°C / 50 - 119°F |
| Compressor cooling:             | fan 3m/s               |

## Operation pressure range



## Components (protector (f)+ holder (h)+ cover (b): pre assembled)

|    |                        |          |
|----|------------------------|----------|
| a3 | SC starter kit (550mm) | 117-7802 |
| h  | protector holder       | 117U0439 |
| f  | ext. protector (T1101) | 117U3218 |
| b  | plastic cover + clamp  | 117U1021 |

## Alternative comp.

|    |                                |          |
|----|--------------------------------|----------|
| a2 | potential relay (RVA 7AA3R)    | 117-7441 |
| c  | start capacitor (280µF, 6.3mm) | 117U5350 |



### Model

Designation **SCE15CNLX 115-127V/60Hz** Conf. 3 Sales code: **104H7578**

### Optimization + standard conditions

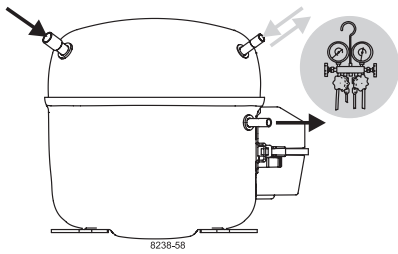
R290, 115V/60Hz, CSIR, fan 3m/s, UL

|  | Evaporating pressure (saturation temperature) |      |      |      | Cooling capacity | COP     | EER      | Power consumption |          |           | ASHRAE LBP |      |        |             |
|--|-----------------------------------------------|------|------|------|------------------|---------|----------|-------------------|----------|-----------|------------|------|--------|-------------|
|  | pe                                            | pc   | RGT  | Tliq |                  |         |          | P1                | I        | m         |            |      |        |             |
|  | [°C]                                          | [°F] | [°C] | [°F] | [W]              | [Btu/h] | [kcal/h] | [W/W]             | [Btu/Wh] | [kcal/Wh] | [W]        | [A]  | [kg/h] |             |
|  | -23                                           | 54   | 32   | 32   | 797,2            | 2722    | 686,1    | 1,50              | 5,12     | 1,29      | 532,1      | 6,20 | 8,07   | ASHRAE LBP  |
|  | -10                                           | 130  | 90   | 90   |                  |         |          |                   |          |           |            |      |        |             |
|  | -25                                           | 55   | 32   | 55   | 581,4            | 1985    | 500,3    | 1,16              | 3,95     | 1,00      | 502,6      | 6,00 | 7,24   | cecomaf LBP |
|  | -13                                           | 131  | 90   | 131  |                  |         |          |                   |          |           |            |      |        |             |
|  | -35                                           | 40   | 20   | 40   | 401,8            | 1372    | 345,8    | 1,12              | 3,84     | 0,97      | 357,3      | 4,97 | 4,59   | EN12900 LBP |
|  | -31                                           | 104  | 68   | 104  |                  |         |          |                   |          |           |            |      |        |             |
|  | -23                                           | 49   | 4,4  | 49   | 662,5            | 2263    | 570,2    | 1,26              | 4,31     | 1,09      | 525,0      | 6,12 | 9,18   | ARI540 LBP  |
|  | -10                                           | 120  | 40   | 120  |                  |         |          |                   |          |           |            |      |        |             |
|  | -23                                           | 41   | 32   | 32   | 912,6            | 3117    | 785,4    | 1,81              | 6,17     | 1,55      | 505,3      | 5,93 | 9,24   | AHAM LBP    |
|  | -10                                           | 105  | 90   | 90   |                  |         |          |                   |          |           |            |      |        |             |
|  | -35                                           | 45   | 32   | 45   | 346,5            | 1183    | 298,2    | 1,00              | 3,43     | 0,86      | 345,2      | 4,91 | 3,88   | opt         |
|  | -31                                           | 113  | 90   | 113  |                  |         |          |                   |          |           |            |      |        |             |

### Performance tables

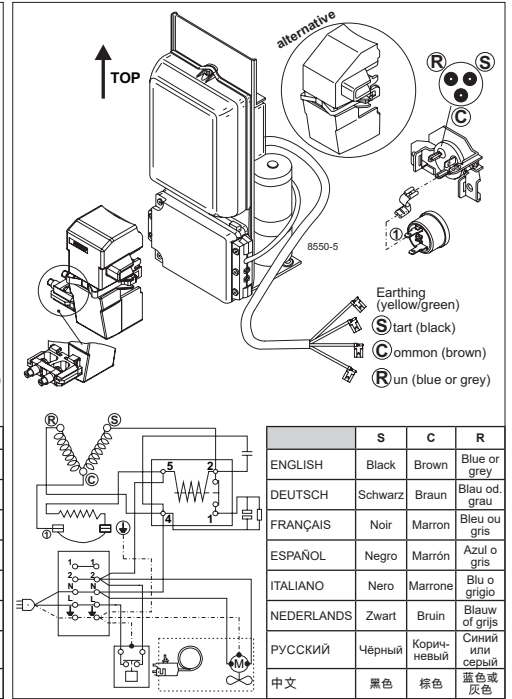
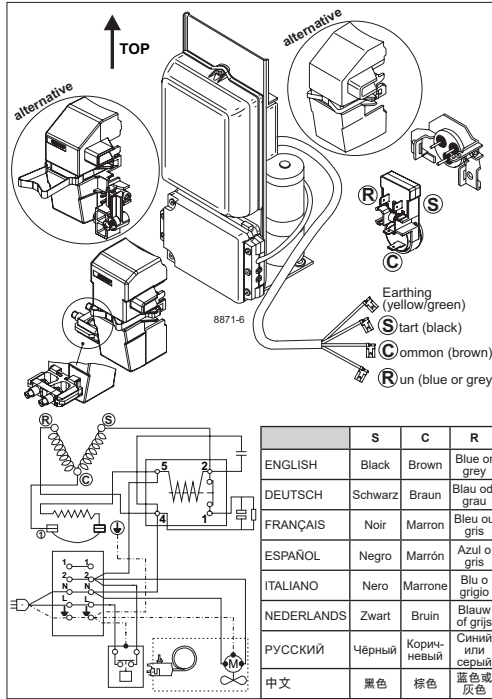
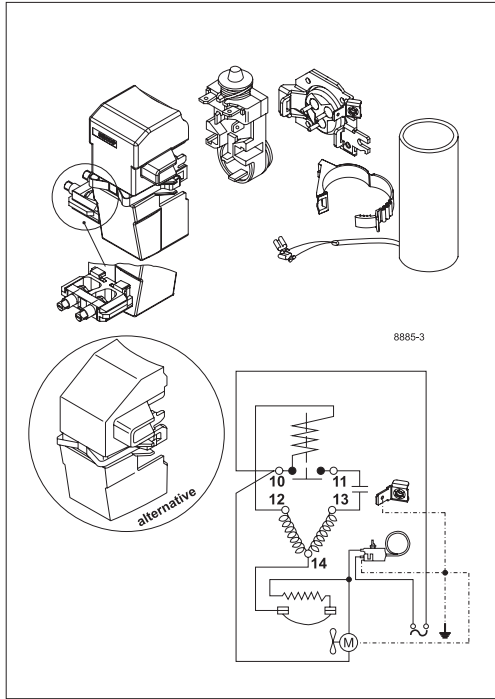
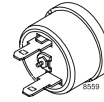
R290, 115V/60Hz, CSIR, fan 3m/s, UL

|                  | pe   |      | Cooling capacity |         |          | COP   | EER      | P1        | I     | m    |        |
|------------------|------|------|------------------|---------|----------|-------|----------|-----------|-------|------|--------|
|                  | [°C] | [°F] | [W]              | [Btu/h] | [kcal/h] | [W/W] | [Btu/Wh] | [kcal/Wh] | [W]   | [A]  | [kg/h] |
| [°C / °F]        | -40  | -40  | 171,7            | 586     | 147,8    | 0,67  | 2,30     | 0,58      | 255,4 | 4,36 | 1,92   |
| cond. pressure   | -34  | -30  | 366,2            | 1251    | 315,1    | 1,03  | 3,53     | 0,89      | 354,5 | 4,97 | 4,10   |
| pc= 45/113       | -29  | -20  | 568,0            | 1940    | 488,8    | 1,29  | 4,40     | 1,11      | 441,3 | 5,53 | 6,39   |
| return gas temp. | -23  | -10  | 785,2            | 2682    | 675,8    | 1,52  | 5,20     | 1,31      | 516,2 | 6,03 | 8,87   |
| RGT= 32/90       | -21  | -5   | 902,1            | 3081    | 776,3    | 1,64  | 5,61     | 1,41      | 549,3 | 6,26 | 10,21  |
| liquid temp      | -15  | 5    | 1157,3           | 3952    | 996,0    | 1,91  | 6,51     | 1,64      | 607,2 | 6,68 | 13,17  |
| Tliq= 45/113     | -5   | 23   | 1710,9           | 5843    | 1472,4   | 2,50  | 8,54     | 2,15      | 684,5 | 7,28 | 19,70  |
| [°C / °F]        | -40  | -40  | 48,9             | 167     | 42,1     | 0,28  | 0,96     | 0,24      | 173,6 | 3,90 | 0,60   |
| cond. pressure   | -34  | -30  | 244,3            | 834     | 210,3    | 0,79  | 2,70     | 0,68      | 308,8 | 4,74 | 3,02   |
| pc= 55/131       | -29  | -20  | 440,0            | 1503    | 378,6    | 1,03  | 3,51     | 0,88      | 428,2 | 5,51 | 5,46   |
| return gas temp  | -23  | -10  | 643,9            | 2199    | 554,1    | 1,21  | 4,13     | 1,04      | 532,2 | 6,20 | 8,03   |
| RGT= 32/90       | -21  | -5   | 751,4            | 2566    | 646,7    | 1,30  | 4,44     | 1,12      | 578,6 | 6,52 | 9,39   |
| liquid temp      | -15  | 5    | 982,7            | 3356    | 845,7    | 1,49  | 5,08     | 1,28      | 660,5 | 7,11 | 12,35  |
| Tliq= 55/131     | -5   | 23   | 1475,2           | 5038    | 1269,6   | 1,91  | 6,52     | 1,64      | 772,3 | 7,97 | 18,79  |



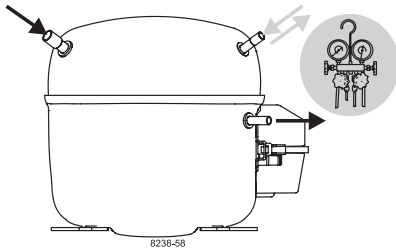
# SCE Compressors

## (External Protector)



|            | S       | C          | R               |
|------------|---------|------------|-----------------|
| ENGLISH    | Black   | Brown      | Blue or grey    |
| DEUTSCH    | Schwarz | Braun      | Blau od. grau   |
| FRANÇAIS   | Noir    | Marron     | Bleu ou gris    |
| ESPAÑOL    | Negro   | Marrón     | Azul o gris     |
| ITALIANO   | Nero    | Marrone    | Blu o grigio    |
| NEDERLANDS | Zwart   | Bruin      | Blauw of grijs  |
| РУССКИЙ    | Чёрный  | Коричневый | Синий или серый |
| 中文         | 黑色      | 棕色         | 蓝色或灰色           |

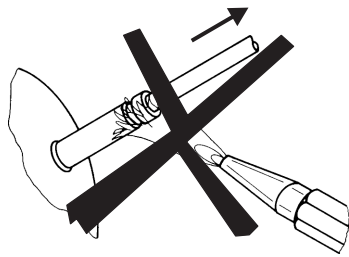
|            | S       | C          | R               |
|------------|---------|------------|-----------------|
| ENGLISH    | Black   | Brown      | Blue or grey    |
| DEUTSCH    | Schwarz | Braun      | Blau od. grau   |
| FRANÇAIS   | Noir    | Marron     | Bleu ou gris    |
| ESPAÑOL    | Negro   | Marrón     | Azul o gris     |
| ITALIANO   | Nero    | Marrone    | Blu o grigio    |
| NEDERLANDS | Zwart   | Bruin      | Blauw of grijs  |
| РУССКИЙ    | Чёрный  | Коричневый | Синий или серый |
| 中文         | 黑色      | 棕色         | 蓝色或灰色           |



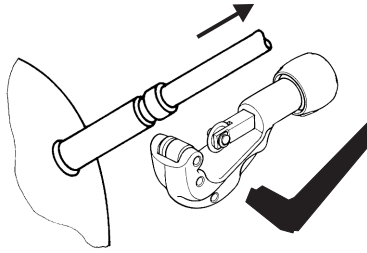
# SCE Compressors (External Protector)



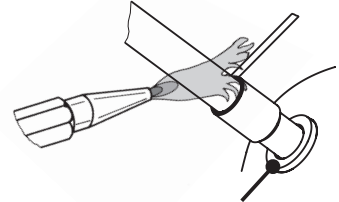
## Service/Repair – R290



8545



## Brazing on Suction Connectors (Direct Intake)



**! max. 350°C/662°F !**  
**at socket**  
 brazing solder: phosphor (LP7) or silver

8882

Refer to Product Bulletin:  
**Brazing on Suction Connectors**  
**(SCE Compressors with Direct Suction Intake)**

Secop accepts no responsibility for possible errors in catalogs, brochures, and other printed material. Secop reserves the right to alter its products without notice. This also applies to products already on order provided that such alterations can be made without subsequent changes being necessary to specifications already agreed. All trademarks in this material are the property of the respective companies. Secop and the Secop logotype are trademarks of Secop GmbH. All rights reserved. [www.secop.com](http://www.secop.com)