

## Single Pack SC12G 220-240V 50/60Hz CSIR

Codice Imballo Singolo: **195B4457**

Posizione	Titolo	Codice	Quantità
1	Compressor SC12G	104G8250	1
2	Starting relay	117U6003	1
3	Starting capacitor (80 $\mu$ F 220V, 6.3mm)	117U5017	1
4	Cord relief	103N1004	1
5	Cover	103N2009	1
6	Bolt joint for one compressor   M6   $\varnothing$ 16mm	118-1917	1

**Secop GmbH** • Lise-Meitner-Straße 29 • 24941 Flensburg, Germany • Tel: +49 46149410 • [www.secop.com](http://www.secop.com)

Secop non si assume alcuna responsabilità per eventuali errori presenti in cataloghi, brochure e altro materiale stampato. Secop si riserva il diritto di modificare i propri prodotti senza preavviso. Ciò vale anche per i prodotti già ordinati, a condizione che tali modifiche possano essere apportate senza che siano necessarie modifiche successive alle specifiche già concordate. Tutti i marchi presenti in questo materiale sono di proprietà delle rispettive aziende. Secop e il logo Secop sono marchi di Secop GmbH. Tutti i diritti sono riservati.

## Model

Designation	<b>SC12G</b>	220-240V/50Hz 1~ 220-240V/60Hz 1~	Sales code:	<b>104G8250</b>
-------------	--------------	-----------------------------------	-------------	-----------------

## Compressor design

Oil type	Polyolester	Refrigerant(s)	<b>R134a</b>
Oil viscosity	22cST	Displacement	12,87cm <sup>3</sup> / 0,79cu.in
Oil quantity	500cm <sup>3</sup> / 16,9fl.oz	Compressors on pallet	80
Refr. charge - tech. limit	1300g / 45,9oz		
Free gas volume comp.	1510cm <sup>3</sup> / 51,1fl.oz		
Weight	12,7kg / 28lbs		
Motor protection	1# internal		
Winding resistance main	6,9Ω (at 25°C)		
Winding resistance aux	11Ω (at 25°C)		
Max. winding temp.	125°C / 257°F		
Max. discharge temp.	135°C / 275°F		



## General - Configurations with SC12G

	<b>Conf. 1</b>	<b>Conf. 2</b>	<b>Conf. 3</b>	<b>Conf. 4</b>
Motorconfiguration	CSIR	CSIR	RSIR	RSIR
Power supply (nominal)	220-240V/50Hz	208-230V/60Hz	220-240V/50Hz	208-230V/60Hz
Number of phases	1	1	1	1
Voltage range	187-254V	198-254V	187-254V	198-254V
Approvals	CCC, VDE, KC	CCC, VDE, KC	CCC, VDE, KC	CCC, VDE, KC
Starting torque	HST	HST	LST	LST
Note	- / -			

## Applications with SC12G

	<b>Conf. 1</b>	<b>Conf. 2</b>	<b>Conf. 3</b>	<b>Conf. 4</b>
Refrigerant	R134a	R134a	R134a	R134a
Application	LBP+MBP+HBP	LBP	LBP+MBP+HBP	LBP
System cooling	oil cooled	oil cooled	oil cooled	oil cooled
Hot gas defrost	OK	OK	OK	OK
Long interval pull down	OK	OK	OK	OK

## Electrical data - Configurations with SC12G

	<b>Conf. 1</b>	<b>Conf. 2</b>	<b>Conf. 3</b>	<b>Conf. 4</b>
Starting device type	relay	relay	PTC	PTC
Run capacitor	- / -	- / -	- / -	- / -
Start capacitor	80μF	80μF	- / -	- / -
LRA (locked rotor amps / 4s)	13A	13A	12,6A	
RLA (rated load amps / 1s)	2,5A	2,5A	2,5A	- / -A
Cut in current	17A	17A	12,6A	

## Model

Designation

**SC12G**

220-240V/50Hz 1~ 220-240V/60Hz 1~

Sales code:

**104G8250**

## Compressor dimensions

<b>Housing</b>	A Height	209mm / 8,23in
	B Height	203mm / 7,99in
	C Length shell	218mm / 8,58in
	D Length w. cover	255mm / 10,04in
	E Width	151mm / 5,94in

Connectors	Suction X	Discharge Y	Process Z
Diameter [mm]	ø 8,11-8,29	ø 6,11-6,29	ø 6,11-6,29
(i:inside, o:outside) [in]	ø 0,32-0,33	ø 0,24-0,25	ø 0,24-0,25
Material	copper	copper	copper
Horizontal angle ±2°	37°	37°	143°
Vertical angle ±2°	30°	0°	150°
Position l/h/w [mm]	107/183/55	115/100/63	-107/183/55
[in]	4,2/7,2/2,2	4,5/3,9/2,5	-4,2/7,2/2,2
Straight tube l. [mm]	12	12	12
[in]	0,5	0,5	0,5



## Compressor fixation



## Bolt joint



## Snap-on



## Mounting accessories

Mounting accessories	one comp.	multi pack
Bolt joint   M6   ø16mm	118-1917	118-1918
Bolt joint   ø1/4"   ø16mm	118-1946	
Bolt joint   ø1/4"   ø19mm	118-1949	
Snap-on   ø7,3   ø16mm	118-1947	118-1919

## Application notes

Provision for PE Grounding is located at the PE Stamp on the compressor

## Model

Designation	<b>SC12G</b>	<b>220-240V/50Hz</b>	<b>Conf. 1</b>	Sales code:	<b>104G8250</b>
-------------	--------------	----------------------	----------------	-------------	-----------------

## Configuration

Motorconfiguration	CSIR
Power supply (nominal)	220-240V/50Hz 1~
Refrigerant	R134a
Application	LBP+MBP+HBP
Voltage range	187-254V
Starting torque	HST
Approvals	CCC VDE KC

## Electrical accessories / wiring diagram

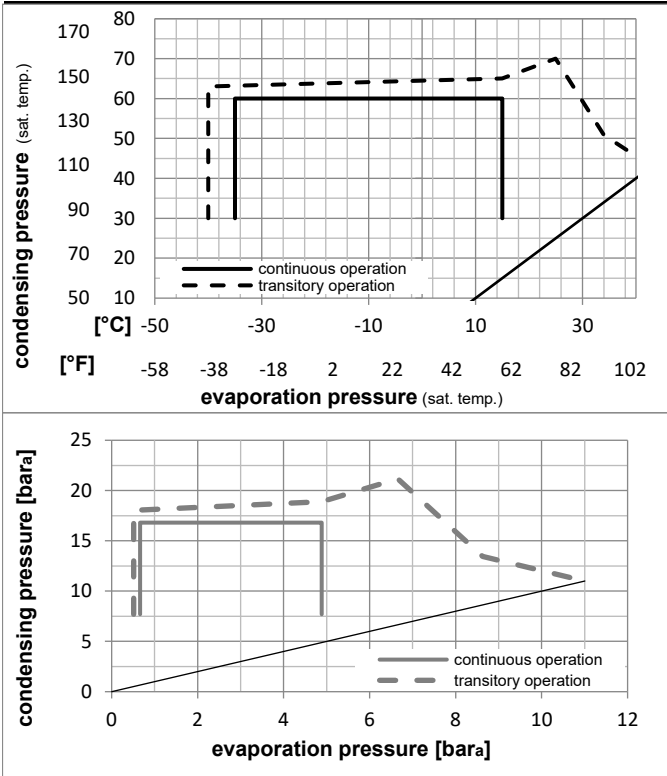


## Ambient/ machine room temperatures minimum /maximum

Ambient temperature range:	10 - 43°C / 50 - 110°F
Machine room temperature range:	10 - 48°C / 50 - 119°F
Compressor cooling:	fan 3m/s

## Operation Limits

## Operation pressure range



## Components

a2	assy. relay	117U6003
c	start capacitor (80μF)	117U5017
d	cord relief	103N1004
b	plastic cover	103N2008

### Model

Designation **SC12G** **220-240V/50Hz** Conf. 1 Sales code: **104G8250**

### Optimization + standard conditions

R134a, 220V/50Hz, CSIR, fan 3m/s, CCC, VDE, KC

	Evaporating pressure (saturation temperature)				Condensing pressure (saturation temperature)			Return gas temp.	Liquid temp.	Cooling capacity	COP	EER	Power consumption			ASHRAE LBP
	pe	pc	RGT	Tliq	[W]	[Btu/h]	[kcal/h]						P1	I	Ref. mass flow	
[°C]																
[°F]																
	-23	54	32	32	247,5	845	213,0	1,03	3,52	0,89	240,3	1,87	4,81			
	-10	130	90	90												
	-7	54	35	46	615,0	2100	529,3	1,60	5,47	1,38	383,9	2,34	13,42			
	20	130	95	115												
	7,2	54	35	46	1170,4	3997	1007,3	2,29	7,81	1,97	511,8	2,84	25,97			
	45	130	95	115												
	-35	40	20	40	123,3	421	106,1	0,75	2,55	0,64	165,0	1,73	2,70			
	-31	104	68	104												
	-10	45	20	45	547,2	1869	470,9	1,61	5,51	1,39	339,2	2,15	12,81			
	14	113	68	113												
	5	50	20	50	994,8	3397	856,1	2,10	7,16	1,80	474,7	2,67	25,07			
	41	122	68	122												

### Performance tables

R134a, 220V/50Hz, CSIR, fan 3m/s, CCC, VDE, KC

	pe		Cooling capacity			COP	EER	P1	I	m	
	[°C]	[°F]	[W]	[Btu/h]	[kcal/h]	[W/W]	[Btu/Wh]	[kcal/Wh]	[W]	[A]	[kg/h]
[°C / °F]	-35	-31	102,6	350	88,3	0,65	2,21	0,56	158,5	1,69	2,21
cond. pressure	-25	-13	234,7	802	202,0	1,03	3,51	0,89	228,1	1,84	5,09
pc= 45/113	-15	5	435,5	1487	374,8	1,44	4,93	1,24	301,4	2,03	9,49
return gas temp.	-10	14	567,7	1939	488,5	1,67	5,71	1,44	339,2	2,15	12,42
RGT= 32/90	0	32	907,8	3100	781,2	2,18	7,44	1,88	416,6	2,42	20,07
liquid temp	5	41	1120,5	3827	964,3	2,46	8,39	2,11	456,0	2,58	24,95
Tliq= 45/113	15	59	1643,6	5613	1414,5	3,07	10,48	2,64	535,5	2,93	37,23
[°C / °F]	-35	-31	64,6	221	55,6	0,44	1,49	0,38	147,9	1,63	1,54
cond. pressure	-25	-13	175,0	598	150,6	0,77	2,63	0,66	226,8	1,83	4,18
pc= 55/131	-15	5	348,0	1188	299,5	1,12	3,82	0,96	311,1	2,09	8,38
return gas temp	-10	14	464,1	1585	399,4	1,31	4,46	1,12	355,1	2,24	11,22
RGT= 32/90	0	32	767,6	2621	660,6	1,72	5,88	1,48	446,1	2,57	18,77
liquid temp	5	41	959,8	3278	826,0	1,95	6,65	1,68	493,0	2,76	23,65
Tliq= 55/131	15	59	1437,3	4909	1237,0	2,44	8,34	2,10	588,7	3,17	36,10

## Model

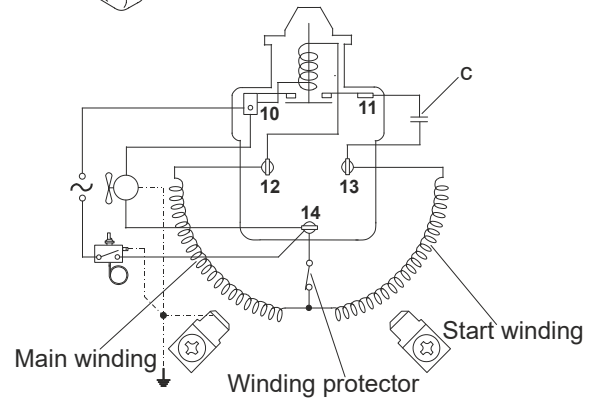
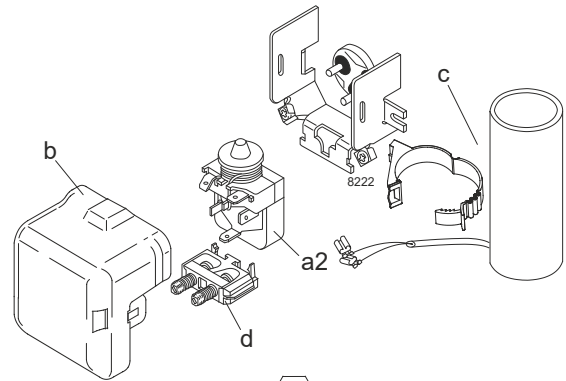
Designation	<b>SC12G</b>	<b>208-230V/60Hz</b>	<b>Conf. 2</b>	Sales code:	<b>104G8250</b>
-------------	--------------	----------------------	----------------	-------------	-----------------

## Configuration

Motorconfiguration	CSIR
Power supply (nominal)	208-230V/60Hz 1~
Refrigerant	R134a
Application	LBP
Voltage range	198-254V
Starting torque	HST
Approvals	CCC VDE KC

## Electrical accessories / wiring diagram

CSIR

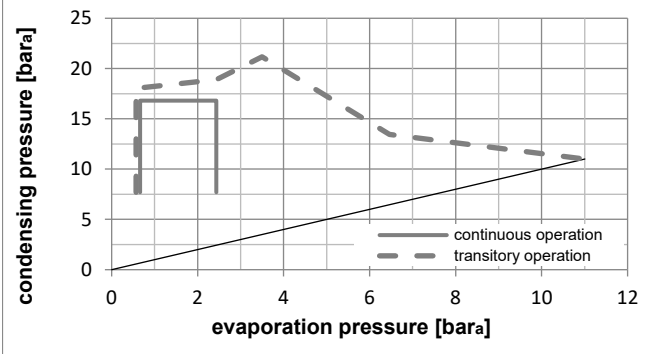
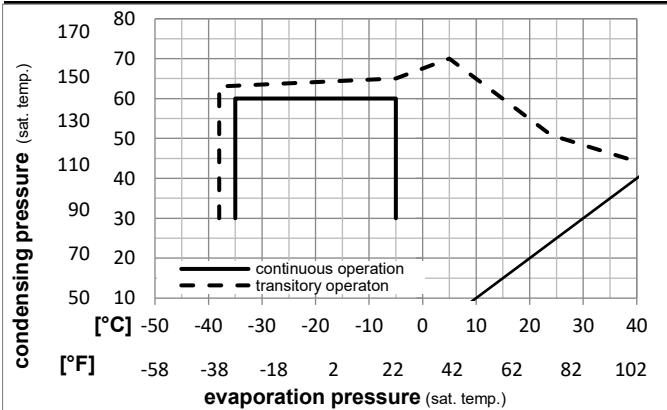


## Ambient/ machine room temperatures minimum /maximum

Ambient temperature range:	10 - 43°C / 50 - 110°F
Machine room temperature range:	10 - 48°C / 50 - 119°F
Compressor cooling:	fan 1,5m/s

## Operation Limits

### Operation pressure range



### Components

a2	assy. relay	117U6003
c	start capacitor (80μF)	117U5017
d	cord relief	103N1004
b	plastic cover	103N2008

## Model

Designation **SC12G** **208-230V/60Hz** Conf. 2 Sales code: **104G8250**

## Optimization + standard conditions

R134a, 230V/60Hz, CSIR, fan 1,5m/s, CCC, VDE, KC

		Evaporating pressure (saturation temperature)				Condensing pressure (saturation temperature)						Power consumption			
		Return gas temp.				Liquid temp.						Current consumption			Ref. mass flow
		Cooling capacity				COP	EER	P1			I	m			
		pe	pc	RGT	Tliq	[W]	[Btu/h]	[kcal/h]	[W/W]	[Btu/Wh]	[kcal/Wh]	[W]	[A]	[kg/h]	
[°C]	-23	54	32	32	288,0	983	247,8	1,03	3,51	0,88	280,6	2,06	5,59	ASHRAE LBP	
[°F]	-10	130	90	90											
[°C]	-7	54	35	46	718,1	2452	618,0	1,60	5,47	1,38	448,6	2,57	15,67	ASHRAE MBP	
[°F]	20	130	95	115											
[°C]	7,2	54	35	46	1367,9	4671	1177,2	2,29	7,81	1,97	598,1	3,12	30,35	ASHRAE HBP	
[°F]	45	130	95	115											
[°C]	-35	40	20	40	142,9	488	123,0	0,74	2,54	0,64	192,4	1,90	3,14	EN12900 LBP	
[°F]	-31	104	68	104											
[°C]	-10	45	20	45	638,9	2182	549,8	1,61	5,51	1,39	396,3	2,36	14,95	EN12900 MBP	
[°F]	14	113	68	113											
[°C]	5	50	20	50	1162,6	3970	1000,5	2,10	7,16	1,80	554,8	2,94	29,30	EN12900 HBP	
[°F]	41	122	68	122											

## Performance tables

R134a, 230V/60Hz, CSIR, fan 1,5m/s, CCC, VDE, KC

	pe		Cooling capacity			COP	EER	P1			I	m
	[°C]	[°F]	[W]	[Btu/h]	[kcal/h]	[W/W]	[Btu/Wh]	[kcal/Wh]	[W]	[A]	[kg/h]	
[°C / °F]	-35	-31	118,7	405	102,2	0,64	2,19	0,55	184,8	1,86	2,56	
cond. pressure	-30	-22	187,4	640	161,2	0,83	2,84	0,72	224,9	1,93	4,05	
pc= 45/113	-25	-13	273,3	933	235,2	1,03	3,51	0,88	266,3	2,02	5,92	
return gas temp.	-23	-10	306,9	1048	264,1	1,09	3,74	0,94	280,6	2,05	6,66	
RGT= 32/90	-20	-4	379,3	1295	326,4	1,23	4,20	1,06	308,7	2,12	8,24	
liquid temp	-15	5	508,2	1735	437,3	1,44	4,93	1,24	352,1	2,23	11,08	
Tliq= 45/113	-5	23	846,1	2889	728,1	1,92	6,55	1,65	441,2	2,51	18,60	
[°C / °F]	-35	-31	74,2	254	63,9	0,43	1,47	0,37	172,4	1,79	1,77	
cond. pressure	-30	-22	131,0	448	112,8	0,60	2,06	0,52	217,7	1,89	3,13	
pc= 55/131	-25	-13	203,3	694	175,0	0,77	2,62	0,66	264,7	2,01	4,86	
return gas temp	-23	-10	232,0	792	199,6	0,83	2,82	0,71	281,0	2,06	5,55	
RGT= 32/90	-20	-4	294,0	1004	253,0	0,94	3,20	0,81	313,3	2,15	7,05	
liquid temp	-15	5	405,8	1386	349,2	1,12	3,81	0,96	363,4	2,30	9,77	
Tliq= 55/131	-5	23	704,3	2405	606,1	1,51	5,14	1,30	467,5	2,64	17,12	

## Model

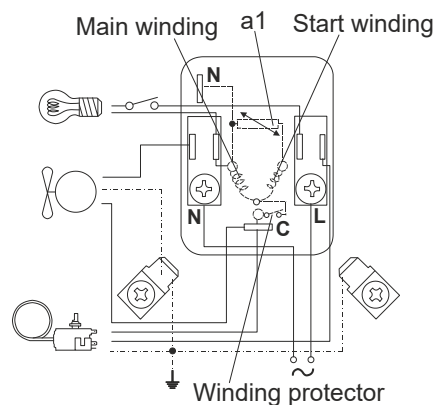
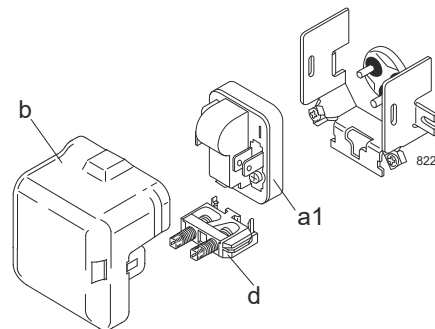
Designation	<b>SC12G</b>	<b>220-240V/50Hz</b>	<b>Conf. 3</b>	Sales code:	<b>104G8250</b>
-------------	--------------	----------------------	----------------	-------------	-----------------

## Configuration

Motorconfiguration	RSIR
Power supply (nominal)	220-240V/50Hz 1~
Refrigerant	R134a
Application	LBP+MBP+HBP
Voltage range	187-254V
Starting torque	LST
Approvals	CCC VDE KC

## Electrical accessories / wiring diagram

RSIR

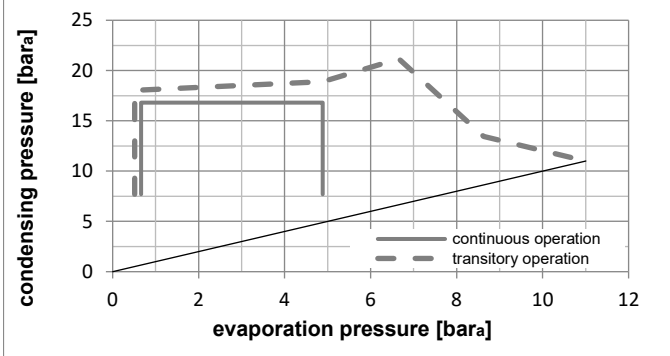
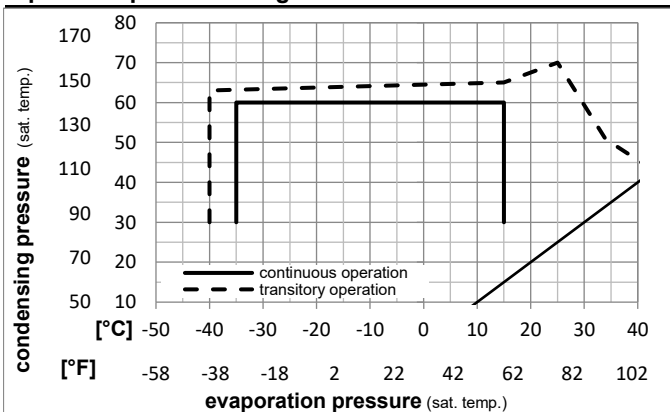


## Ambient/ machine room temperatures minimum /maximum

Ambient temperature range:	10 - 43°C / 50 - 110°F
Machine room temperature range:	10 - 48°C / 50 - 119°F
Compressor cooling:	fan 3m/s

## Operation Limits

## Operation pressure range



## Components

a1	PTC starter (220V, 25Ohm, 6.3mm)	103N0011
d	cord relief	103N1004
b	plastic cover	103N2009



### Model

Designation **SC12G** **220-240V/50Hz** Conf. 3 Sales code: **104G8250**

### Optimization + standard conditions

R134a, 220V/50Hz, RSIR, fan 3m/s, CCC, VDE, KC

	Evaporating pressure (saturation temperature)				Cooling capacity			COP	EER	P1	Power consumption			ASHRAE
	pe	pc	RGT	Tliq	[W]	[Btu/h]	[kcal/h]				l	m	Ref. mass flow	
[°C]											[A]	[kg/h]		
[°F]	-23	54	32	32	247,5	845	213,0	1,03	3,52	0,89	240,3	1,87	4,81	ASHRAE LBP
	-10	130	90	90										
[°C]	-7	54	35	46	615,0	2100	529,3	1,60	5,47	1,38	383,9	2,34	13,42	ASHRAE MBP
[°F]	20	130	95	115										
[°C]	7,2	54	35	46	1170,4	3997	1007,3	2,29	7,81	1,97	511,8	2,84	25,97	ASHRAE HBP
[°F]	45	130	95	115										
[°C]	-35	40	20	40	123,3	421	106,1	0,75	2,55	0,64	165,0	1,73	2,70	EN12900 LBP
[°F]	-31	104	68	104										
[°C]	-10	45	20	45	547,2	1869	470,9	1,61	5,51	1,39	339,2	2,15	12,81	EN12900 MBP
[°F]	14	113	68	113										
[°C]	5	50	20	50	994,8	3397	856,1	2,10	7,16	1,80	474,7	2,67	25,07	EN12900 HBP
[°F]	41	122	68	122										

### Performance tables

R134a, 220V/50Hz, RSIR, fan 3m/s, CCC, VDE, KC

	pe		Cooling capacity			COP	EER	P1	l	m	
	[°C]	[°F]	[W]	[Btu/h]	[kcal/h]						
[°C / °F]	-35	-31	102,6	350	88,3	0,65	2,21	0,56	158,5	1,69	2,21
cond. pressure	-25	-13	234,7	802	202,0	1,03	3,51	0,89	228,1	1,84	5,09
pc= 45/113	-15	5	435,5	1487	374,8	1,44	4,93	1,24	301,4	2,03	9,49
return gas temp.	-10	14	567,7	1939	488,5	1,67	5,71	1,44	339,2	2,15	12,42
RGT= 32/90	0	32	907,8	3100	781,2	2,18	7,44	1,88	416,6	2,42	20,07
liquid temp	5	41	1120,5	3827	964,3	2,46	8,39	2,11	456,0	2,58	24,95
Tliq= 45/113	15	59	1643,6	5613	1414,5	3,07	10,48	2,64	535,5	2,93	37,23
[°C / °F]	-35	-31	64,6	221	55,6	0,44	1,49	0,38	147,9	1,63	1,54
cond. pressure	-25	-13	175,0	598	150,6	0,77	2,63	0,66	226,8	1,83	4,18
pc= 55/131	-15	5	348,0	1188	299,5	1,12	3,82	0,96	311,1	2,09	8,38
return gas temp	-10	14	464,1	1585	399,4	1,31	4,46	1,12	355,1	2,24	11,22
RGT= 32/90	0	32	767,6	2621	660,6	1,72	5,88	1,48	446,1	2,57	18,77
liquid temp	5	41	959,8	3278	826,0	1,95	6,65	1,68	493,0	2,76	23,65
Tliq= 55/131	15	59	1437,3	4909	1237,0	2,44	8,34	2,10	588,7	3,17	36,10

## Model

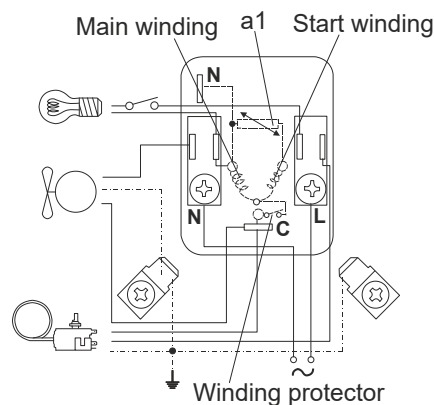
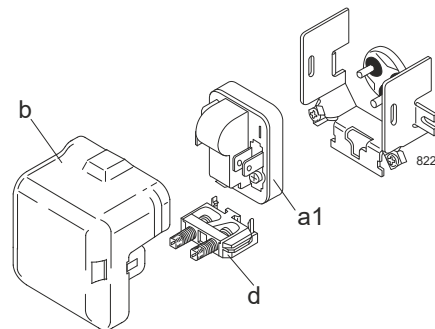
Designation	<b>SC12G</b>	<b>208-230V/60Hz</b>	<b>Conf. 4</b>	Sales code:	<b>104G8250</b>
-------------	--------------	----------------------	----------------	-------------	-----------------

## Configuration

Motorconfiguration	RSIR
Power supply (nominal)	208-230V/60Hz 1~
Refrigerant	R134a
Application	LBP
Voltage range	198-254V
Starting torque	LST
Approvals	CCC VDE KC

## Electrical accessories / wiring diagram

RSIR

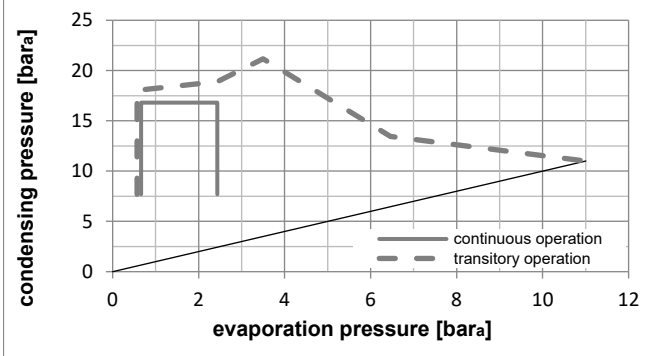
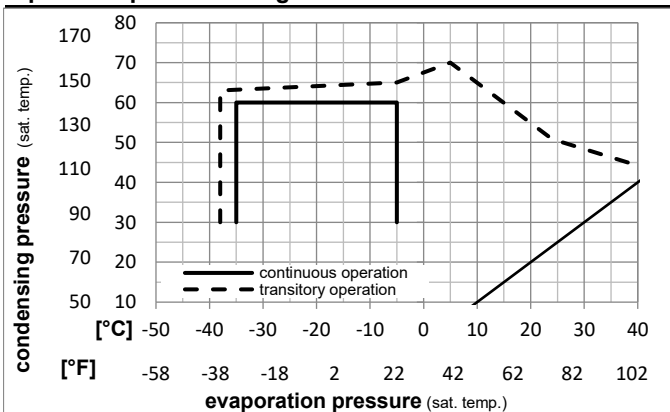


## Ambient/ machine room temperatures minimum /maximum

Ambient temperature range:	10 - 43°C / 50 - 110°F
Machine room temperature range:	10 - 48°C / 50 - 119°F
Compressor cooling:	fan 1,5m/s

## Operation Limits

## Operation pressure range



## Components

a1	PTC starter (220V, 250hm, 6.3mm)	103N0011
d	cord relief	103N1004
b	plastic cover	103N2009

### Model

Designation **SC12G** **208-230V/60Hz** Conf. 4 Sales code: **104G8250**

### Optimization + standard conditions

R134a, 230V/60Hz, RSIR, fan 1,5m/s, CCC, VDE, KC

		Evaporating pressure (saturation temperature)				Condensing pressure (saturation temperature)			Return gas temp.		Liquid temp.		Cooling capacity			COP	EER	Power consumption		
		pe	pc	RGT	Tliq	[W]	[Btu/h]	[kcal/h]	[W/W]	[Btu/Wh]	[kcal/Wh]	P1	I	m						
[°C]	[°F]	[°C]	[°F]	[°C]	[°F]							[W]	[A]	[kg/h]						
-23	-10	54	130	32	90	288,0	983	247,8	1,03	3,51	0,88	280,6	2,06	5,59						ASHRAE LBP
-7	20	54	130	35	95	718,1	2452	618,0	1,60	5,47	1,38	448,6	2,57	15,67						ASHRAE MBP
7,2	45	54	130	35	95	1367,9	4671	1177,2	2,29	7,81	1,97	598,1	3,12	30,35						ASHRAE HBP
-35	-31	40	104	20	68	142,9	488	123,0	0,74	2,54	0,64	192,4	1,90	3,14						EN12900 LBP
-10	14	45	113	20	68	638,9	2182	549,8	1,61	5,51	1,39	396,3	2,36	14,95						EN12900 MBP
5	41	50	122	20	68	1162,6	3970	1000,5	2,10	7,16	1,80	554,8	2,94	29,30						EN12900 HBP

### Performance tables

R134a, 230V/60Hz, RSIR, fan 1,5m/s, CCC, VDE, KC

	pe		Cooling capacity			COP	EER	P1	I	m	
	[°C]	[°F]	[W]	[Btu/h]	[kcal/h]	[W/W]	[Btu/Wh]	[kcal/Wh]	[W]	[A]	[kg/h]
[°C / °F]	-35	-31	118,7	405	102,2	0,64	2,19	0,55	184,8	1,86	2,56
cond. pressure	-30	-22	187,4	640	161,2	0,83	2,84	0,72	224,9	1,93	4,05
pc= 45/113	-25	-13	273,3	933	235,2	1,03	3,51	0,88	266,3	2,02	5,92
return gas temp.	-23	-10	306,9	1048	264,1	1,09	3,74	0,94	280,6	2,05	6,66
RGT= 32/90	-20	-4	379,3	1295	326,4	1,23	4,20	1,06	308,7	2,12	8,24
liquid temp	-15	5	508,2	1735	437,3	1,44	4,93	1,24	352,1	2,23	11,08
Tliq= 45/113	-5	23	846,1	2889	728,1	1,92	6,55	1,65	441,2	2,51	18,60
[°C / °F]	-35	-31	74,2	254	63,9	0,43	1,47	0,37	172,4	1,79	1,77
cond. pressure	-30	-22	131,0	448	112,8	0,60	2,06	0,52	217,7	1,89	3,13
pc= 55/131	-25	-13	203,3	694	175,0	0,77	2,62	0,66	264,7	2,01	4,86
return gas temp	-23	-10	232,0	792	199,6	0,83	2,82	0,71	281,0	2,06	5,55
RGT= 32/90	-20	-4	294,0	1004	253,0	0,94	3,20	0,81	313,3	2,15	7,05
liquid temp	-15	5	405,8	1386	349,2	1,12	3,81	0,96	363,4	2,30	9,77
Tliq= 55/131	-5	23	704,3	2405	606,1	1,51	5,14	1,30	467,5	2,64	17,12



# SC Compressors





# SC Compressors

## Service/Repair – R290



8545



Secop accepts no responsibility for possible errors in catalogs, brochures, and other printed material. Secop reserves the right to alter its products without notice. This also applies to products already on order provided that such alterations can be made without subsequent changes being necessary to specifications already agreed. All trademarks in this material are the property of the respective companies. Secop and the Secop logotype are trademarks of Secop GmbH. All rights reserved. [www.secop.com](http://www.secop.com)