

# Singolo Imballi



## Single Pack TL4G 220-240V 50/60Hz

Codice Imballo Singolo: **195B4555**

| Posizione | Titolo          | Codice   | Quantità |
|-----------|-----------------|----------|----------|
| 1         | Compressor TL4G | 102G4452 | 1        |

**Secop GmbH** · Lise-Meitner-Straße 29 · 24941 Flensburg, Germany · Tel: +49 46149410 · [www.secop.com](http://www.secop.com)

---

Secop non si assume alcuna responsabilità per eventuali errori presenti in cataloghi, brochure e altro materiale stampato. Secop si riserva il diritto di modificare i propri prodotti senza preavviso. Ciò vale anche per i prodotti già ordinati, a condizione che tali modifiche possano essere apportate senza che siano necessarie modifiche successive alle specifiche già concordate. Tutti i marchi presenti in questo materiale sono di proprietà delle rispettive aziende. Secop e il logo Secop sono marchi di Secop GmbH. Tutti i diritti sono riservati.

---

## TL4G Universal Compressor R134a 220-240V 50/60Hz

### General

|                       |               |
|-----------------------|---------------|
| Code number           | 102G4452      |
| Approvals             | EN 60335-2-34 |
| Compressors on pallet | 125           |

### Application

| Application                                    | LBP/HBP |           |            |  |
|--|---------|-----------|------------|--|
| Frequency                                      | Hz      | 50        | 60         |  |
| Evaporating temperature                        | °C      | -30 to 15 | -30 to -10 |  |
| Voltage range                                  | V       | 187 - 254 | 198 - 254  |  |
| Max. condensing temperature continuous (short) | °C      | 60 (70)   | 60 (70)    |  |
| Max. winding temperature continuous (short)    | °C      | 125 (135) | 125 (135)  |  |

### Cooling requirements

| Frequency   | Hz | 50  |     |                | 60  |     |     |
|-------------|----|-----|-----|----------------|-----|-----|-----|
| Application |    | LBP | MBP | HBP            | LBP | MBP | HBP |
| 32°C        |    | S   | S   | F <sub>2</sub> | S   | S   | -   |
| 38°C        |    | S   | S   | F <sub>2</sub> | S   | S   | -   |
| 43°C        |    | S   | S   | F <sub>2</sub> | S   | S   | -   |

Remarks on application: HBP at 198 - 254V 50Hz only.

### Motor

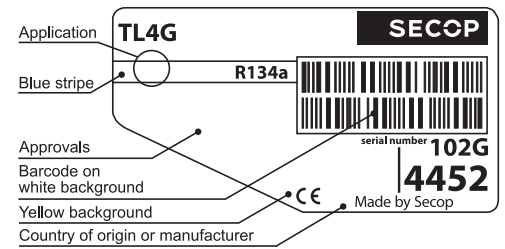
| Motor type                                | RSIR/CSIR |      |      |
|---|-----------|------|------|
| LRA (rated after 4 sec. UL984), HST   LST | A         | 5.1  | 4.3  |
| Cut in Current, HST   LST                 | A         | 5.1  | 8.6  |
| Resistance, main   start winding (25°C)   | Ω         | 16.0 | 17.0 |

### Design

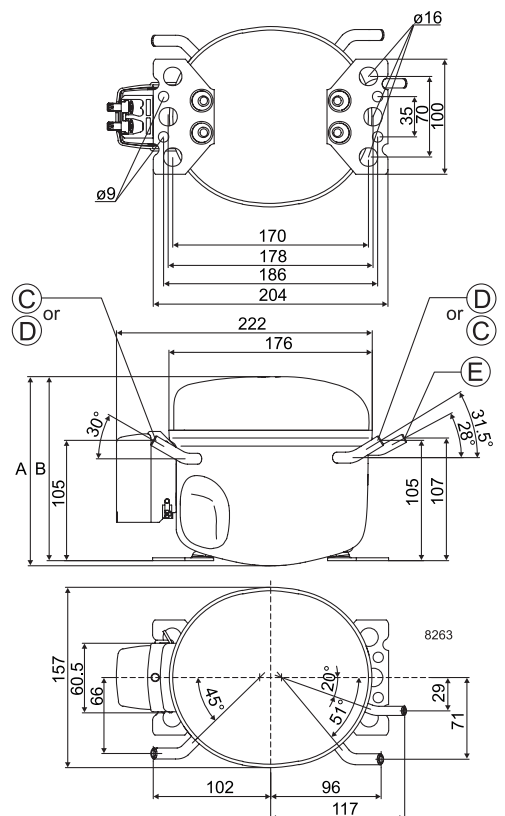
|                                     |                 |                   |
|-------------------------------------|-----------------|-------------------|
| Displacement                        | cm <sup>3</sup> | 3.86              |
| Oil quantity (type)                 | cm <sup>3</sup> | 280 (polyolester) |
| Maximum refrigerant charge          | g               | 400               |
| Free gas volume in compressor       | cm <sup>3</sup> | 1690              |
| Weight without electrical equipment | kg              | 7.5               |

### Dimensions

| Height               | mm                       | A  | 173                       |
|----------------------|--------------------------|----|---------------------------|
|                      |                          | B  | 169                       |
|                      |                          | B1 | -                         |
|                      |                          | B2 | -                         |
| Suction connector    | location/I.D. mm   angle | C  | 6.2   30°                 |
|                      | material   comment       |    | Copper   Rubber plug      |
| Process connector    | location/I.D. mm   angle | D  | 6.2   31.5°               |
|                      | material   comment       |    | Copper   Rubber plug      |
| Discharge connector  | location/I.D. mm   angle | E  | 5.0   28°                 |
|                      | material   comment       |    | Copper   Rubber plug      |
| Oil cooler connector | location/I.D. mm   angle | F  | -                         |
|                      | material   comment       |    | -                         |
| Connector tolerance  | I.D. mm                  |    | ±0.09, on 5.0 +0.12/+0.20 |
| Remarks:             |                          |    |                           |



- S = Static cooling normally sufficient
- O = Oil cooling
- F<sub>1</sub> = Fan cooling 1.5 m/s  
(compressor compartment temperature equal to ambient temperature)
- F<sub>2</sub> = Fan cooling 3.0 m/s necessary
- SG = Suction gas cooling normally sufficient
- = not applicable in this area



**EN 12900 Household (CECOMAF)** 220V, 50Hz, static cooling

|                    |     |     |     |      |      |       |      |      |      |      |      |      |      |      |      |      |    |
|--------------------|-----|-----|-----|------|------|-------|------|------|------|------|------|------|------|------|------|------|----|
| Evap. temp. in °C  | -45 | -40 | -35 | -30  | -25  | -23.3 | -20  | -15  | -10  | -6.7 | -5   | 0    | 5    | 7.2  | 10   | 15   | 20 |
| Capacity in W      |     |     |     | 40.8 | 58.3 | 65.3  | 80.3 | 107  | 140  | 165  | 180  | 226  | 280  | 306  | 342  | 413  |    |
| Power cons. in W   |     |     |     | 71.7 | 82.7 | 86.6  | 94.2 | 106  | 118  | 126  | 130  | 142  | 154  | 159  | 165  | 176  |    |
| Current cons. in A |     |     |     | 0.82 | 0.84 | 0.85  | 0.87 | 0.90 | 0.93 | 0.95 | 0.96 | 1.00 | 1.04 | 1.05 | 1.08 | 1.12 |    |
| COP in W/W         |     |     |     | 0.57 | 0.70 | 0.75  | 0.85 | 1.01 | 1.19 | 1.31 | 1.38 | 1.59 | 1.82 | 1.93 | 2.07 | 2.34 |    |

**EN 12900 Household (CECOMAF)** 220V, 60Hz, static cooling

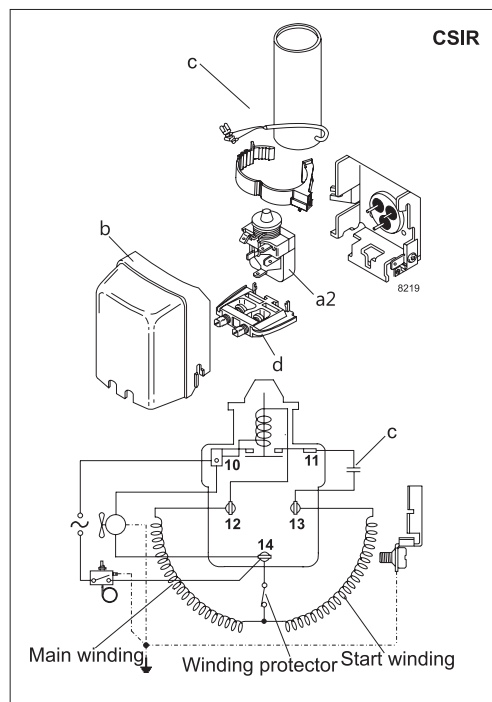
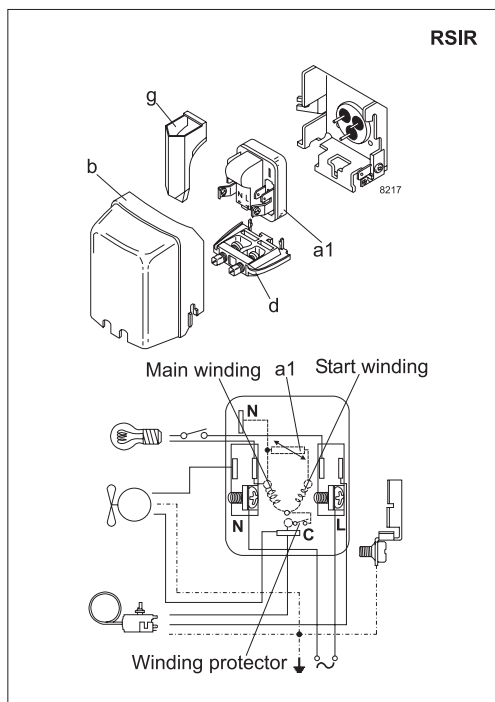
|                    |     |     |     |      |      |       |      |      |      |      |    |   |   |     |    |    |    |
|--------------------|-----|-----|-----|------|------|-------|------|------|------|------|----|---|---|-----|----|----|----|
| Evap. temp. in °C  | -45 | -40 | -35 | -30  | -25  | -23.3 | -20  | -15  | -10  | -6.7 | -5 | 0 | 5 | 7.2 | 10 | 15 | 20 |
| Capacity in W      |     |     |     | 48.4 | 69.5 | 77.8  | 95.7 | 127  | 166  |      |    |   |   |     |    |    |    |
| Power cons. in W   |     |     |     | 74.2 | 86.8 | 91.6  | 101  | 117  | 135  |      |    |   |   |     |    |    |    |
| Current cons. in A |     |     |     | 0.70 | 0.74 | 0.76  | 0.79 | 0.84 | 0.90 |      |    |   |   |     |    |    |    |
| COP in W/W         |     |     |     | 0.65 | 0.80 | 0.85  | 0.94 | 1.09 | 1.23 |      |    |   |   |     |    |    |    |

**ASHRAE LBP** 220V, 50Hz, static cooling

|                    |     |     |     |      |      |       |      |      |      |      |      |      |      |      |      |      |    |
|--------------------|-----|-----|-----|------|------|-------|------|------|------|------|------|------|------|------|------|------|----|
| Evap. temp. in °C  | -45 | -40 | -35 | -30  | -25  | -23.3 | -20  | -15  | -10  | -6.7 | -5   | 0    | 5    | 7.2  | 10   | 15   | 20 |
| Capacity in W      |     |     |     | 50.3 | 71.9 | 80.5  | 99.2 | 133  | 173  | 205  | 222  | 280  | 347  | 380  | 425  | 515  |    |
| Power cons. in W   |     |     |     | 71.7 | 82.7 | 86.6  | 94.2 | 106  | 118  | 126  | 130  | 142  | 154  | 159  | 165  | 176  |    |
| Current cons. in A |     |     |     | 0.82 | 0.84 | 0.85  | 0.87 | 0.90 | 0.93 | 0.95 | 0.96 | 1.00 | 1.04 | 1.05 | 1.08 | 1.12 |    |
| COP in W/W         |     |     |     | 0.70 | 0.87 | 0.93  | 1.05 | 1.25 | 1.47 | 1.63 | 1.71 | 1.97 | 2.26 | 2.39 | 2.57 | 2.92 |    |

**ASHRAE LBP** 220V, 60Hz, static cooling

|                    |     |     |     |      |      |       |      |      |      |      |    |   |   |     |    |    |    |
|--------------------|-----|-----|-----|------|------|-------|------|------|------|------|----|---|---|-----|----|----|----|
| Evap. temp. in °C  | -45 | -40 | -35 | -30  | -25  | -23.3 | -20  | -15  | -10  | -6.7 | -5 | 0 | 5 | 7.2 | 10 | 15 | 20 |
| Capacity in W      |     |     |     | 59.6 | 85.8 | 96.0  | 118  | 157  | 205  |      |    |   |   |     |    |    |    |
| Power cons. in W   |     |     |     | 74.2 | 86.8 | 91.6  | 101  | 117  | 135  |      |    |   |   |     |    |    |    |
| Current cons. in A |     |     |     | 0.70 | 0.74 | 0.76  | 0.79 | 0.84 | 0.90 |      |    |   |   |     |    |    |    |
| COP in W/W         |     |     |     | 0.80 | 0.99 | 1.05  | 1.17 | 1.34 | 1.52 |      |    |   |   |     |    |    |    |



| Accessories for           | TL4G                    | Figure | Code number |
|---------------------------|-------------------------|--------|-------------|
| PTC starting device       | 6.3 mm spade connectors | a1     | 103N0011    |
|                           | 4.8 mm spade connectors |        | 103N0018    |
| Starting relay            | 6.3 mm spade connectors | a2     | 117U6004    |
| Start. capacitor 60 µF    | 6.3 mm spade connectors | c      | 117U5014    |
| Cover                     |                         | b      | 103N2010    |
| Cord relief               |                         | d      | 103N1010    |
| Protection screen for PTC |                         | g      | 103N0476    |

| Test conditions         | EN 12900/CECOMAF | ASHRAE LBP |
|-------------------------|------------------|------------|
| Condensing temperature  | 55°C             | 55°C       |
| Ambient temperature     | 32°C             | 32°C       |
| Suction gas temperature | 32°C             | 32°C       |
| Liquid temperature      | 55°C             | 32°C       |

| Mounting accessories     |          | Code number |
|--------------------------|----------|-------------|
| Bolt joint for one comp. | Ø: 16 mm | 118-1917    |
| Bolt joint in quantities | Ø: 16 mm | 118-1918    |
| Snap-on in quantities    | Ø: 16 mm | 118-1919    |

Secop accepts no responsibility for possible errors in catalogs, brochures, and other printed material. Secop reserves the right to alter its products without notice. This also applies to products already on order provided that such alterations can be made without substantial changes being necessary to specifications already agreed. All trademarks in this material are the property of the respective companies. Secop and the Secop logotype are trademarks of Secop GmbH. All rights reserved. [www.secop.com](http://www.secop.com)



# TL Compressors





## Service/Repair – R600a, R290



8545

## Brazing on Suction Connectors (Direct Intake)

representative image



**! max. 150°C/302°F !  
at socket**  
brazing solder: phosphor (LP7) or silver

Refer to Product Bulletin:  
**Brazing on Suction Connectors  
(Compressors with Direct Suction Intake)**

Secop accepts no responsibility for possible errors in catalogs, brochures, and other printed material. Secop reserves the right to alter its products without notice. This also applies to products already on order provided that such alterations can be made without subsequential changes being necessary to specifications already agreed. All trademarks in this material are the property of the respective companies. Secop and the Secop logotype are trademarks of Secop GmbH. All rights reserved. [www.secop.com](http://www.secop.com)