

Single Pack NLX13KK.1 220-240V 50Hz RSCR

Codice Imballo Singolo: **195B4562**

Posizione	Titolo	Codice	Quantità
1	Compressor NLX13KK.1	105H6304	1
2	e-PTC starting device (220V, 250hm, 4.8mm)	103N0050	1
3	Run capacitor (4μF 320V, 4.8mm)	117-7119	1
4	Cord relief	103N1010	1
5	Protection screen for PTC	103N0476	1
6	Cover	103N2010	1
7	Bolt joint for one compressor M6 ø16mm	118-1917	1

Secop GmbH • Lise-Meitner-Straße 29 • 24941 Flensburg, Germany • Tel: +49 46149410 • www.secop.com

Secop non si assume alcuna responsabilità per eventuali errori presenti in cataloghi, brochure e altro materiale stampato. Secop si riserva il diritto di modificare i propri prodotti senza preavviso. Ciò vale anche per i prodotti già ordinati, a condizione che tali modifiche possano essere apportate senza che siano necessarie modifiche successive alle specifiche già concordate. Tutti i marchi presenti in questo materiale sono di proprietà delle rispettive aziende. Secop e il logo Secop sono marchi di Secop GmbH. Tutti i diritti sono riservati.

Model

Designation	NLX13KK.1	220-240V/50Hz 1~	Sales code:	105H6304
-------------	------------------	-------------------------	-------------	-----------------

Compressor design

Oil type	Mineral	Refrigerant(s)	R600a
Oil viscosity	9,6cST	Displacement	13,25cm ³ / 0,81cu.in
Oil quantity	265cm ³ / 9fl.oz	Compressors on pallet	80
Refr. charge - tech. limit	150g / 5,3oz		
Free gas volume comp.	2360cm ³ / 79,8fl.oz		
Weight	10,8kg / 23,8lbs		
Motor protection	1# internal		
Winding resistance main	18Ω (at 25°C)		
Winding resistance aux	28Ω (at 25°C)		
Max. winding temp.	95°C / 203°F		
Max. discharge temp.	125°C / 257°F		



General - Configurations with NLX13KK.1

	Conf. 1
Motorconfiguration	RSCR
Power supply (nominal)	220-240V/50Hz
Number of phases	1
Voltage range	198-254V
Approvals	VDE
Starting torque	LST
Note	- / -

Applications with NLX13KK.1

	Conf. 1
Refrigerant	R600a
Application	LBP
System cooling	static
Hot gas defrost	- / -
Long interval pull down	- / -

Electrical data - Configurations with NLX13KK.1

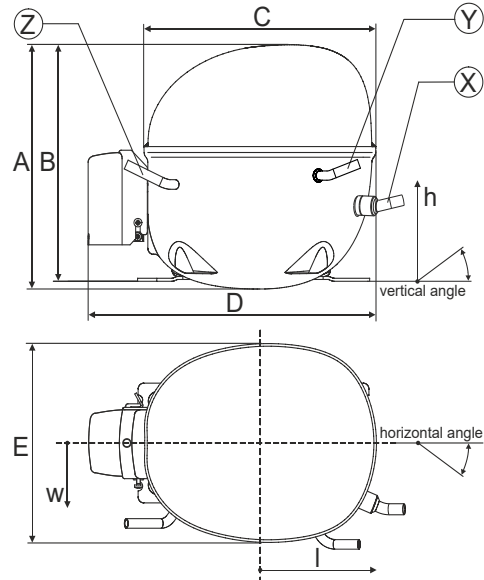
	Conf. 1
Starting device type	PTC
Run capacitor	4μF
Start capacitor	- / -
LRA (locked rotor amps / 4s)	4,5A
RLA (rated load amps / 1s)	0,8A
Cut in current	8A

Model

Designation	NLX13KK.1	220-240V/50Hz 1~	Sales code:	105H6304
-------------	------------------	------------------	-------------	-----------------

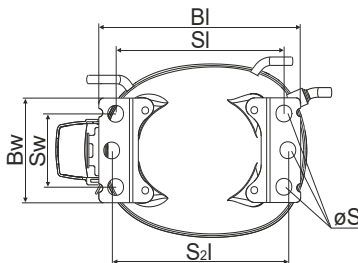
Compressor dimensions

Housing	A Height	203mm / 7,99in
	B Height	197mm / 7,76in
	C Length shell	205mm / 8,07in
	D Length w. cover	254mm / 10in
	E Width	166mm / 6,54in



Connectors		Suction	Discharge	Process
		X	Y	Z
Diameter	[mm]	øi 6,11-6,29	øi 5,12-5,22	øi 6,11-6,29
(i:inside, o:outside)	[in]	øi 0,24-0,25	øi 0,2-0,21	øi 0,24-0,25
Material		copper	copper	copper
Horizontal angle	±2°	0°	0°	0°
Vertical angle	±2°	15°	21°	155°
Position l/h/w	[mm]	133/71/57	91/103/81	-107/94/72
	[in]	5,2/2,8/2,2	3,6/4/3,2	-4,2/3,7/2,8
Straight tube l.	[mm]	12	12	12
	[in]	0,5	0,5	0,5

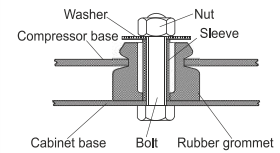
Compressor fixation



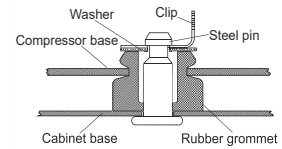
Baseplate	[mm]	[inch]
Bi	204	8.03
Bw	100	3.94

Small holes	[mm]	[inch]
Si	170	6.7
Sw	70	2.76
S2l	178	7
øS	ø 16	ø 0.63

Bolt joint



Snap-on



Mounting accessories	one comp.	multi pack
Bolt joint M6 ø16mm	118-1917	118-1918
Bolt joint ø1/4" ø16mm	118-1946	
Bolt joint ø1/4" ø19mm	118-1949	
Snap-on ø7,3 ø16mm	118-1947	118-1919

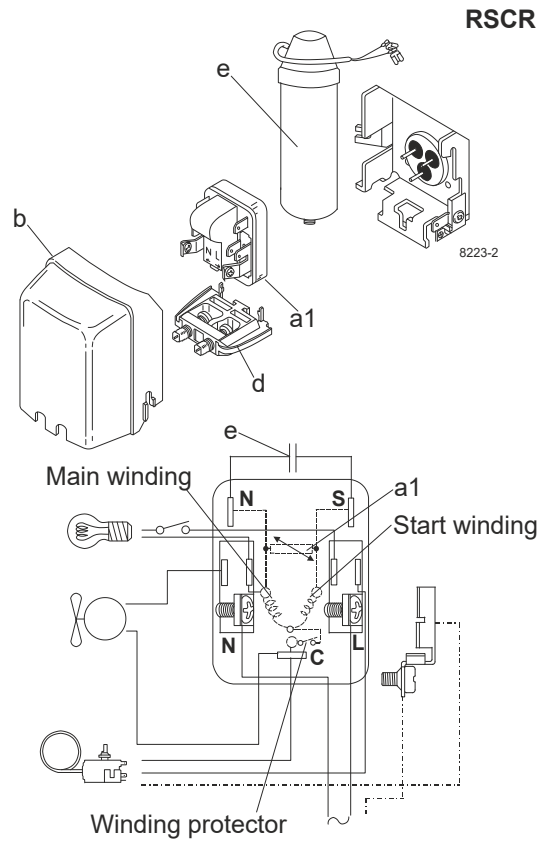
Model

Designation	NLX13KK.1	220-240V/50Hz	Conf. 1	Sales code:	105H6304
-------------	------------------	----------------------	----------------	-------------	-----------------

Configuration

Motorconfiguration	RSCR
Power supply (nominal)	220-240V/50Hz 1~
Refrigerant	R600a
Application	LBP
Voltage range	198-254V
Starting torque	LST
Approvals	VDE

Electrical accessories / wiring diagram

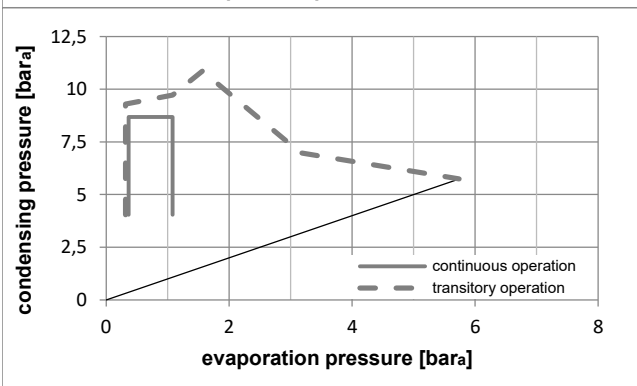


Ambient temperatures / system cooling

Ambient temperature min.:	10°C / 50°F
Ambient temperature max.:	43°C / 110°F

System cooling (n/a: outside limits)			
T ambient	LBP	MBP	HBP
32°C / 90°F	static	n/a	n/a
38°C / 100°F	static	n/a	n/a
43°C / 110°F	static	n/a	n/a

Operation pressure range



Components

a1	e-PTC starter (220V, 250ohm, 4.8mm)	103N0050
e	run capacitor (4µF, 4.8mm)	117-7119
b	plastic cover	103N2010
d	cord relief	103N1010
	bracket for run capacitor	117-0300
	screw M4x8mm	117-0301

Alternative components

b	plastic cover	103N2011
---	---------------	----------

Model

Designation **NLX13KK.1 220-240V/50Hz** Conf. 1 Sales code: **105H6304**

Optimization + standard conditions

R600a, 220V/50Hz, RSCR, static, VDE

		Evaporating pressure (saturation temperature)				Condensing pressure (saturation temperature)					Power consumption				
											Current consumption				
											P1	I	Ref. mass flow		
													m		
		pe	pc	RGT	Tliq	[W]	[Btu/h]	[kcal/h]	COP	EER	[W]	[A]	[kg/h]		
[°C]	[°F]														
-23,3	-10	54,4	32,2	32,2	222,9	761	191,9	1,75	5,96	1,50	127,7	0,64	2,39	ASHRAE LBP	
-25	-13	55	32	55	167,0	571	143,8	1,37	4,68	1,18	122,0	0,62	2,18	cecomaf LBP	
-35	-31	40	20	40	118,0	403	101,5	1,31	4,46	1,12	90,3	0,47	1,44	EN12900 LBP	
-23,3	-10	48,9	4,44	48,9	182,9	624	157,4	1,46	5,00	1,26	124,8	0,63	2,67	ARI540 LBP	
-23,3	-10	40,6	32,2	32,2	243,4	831	209,5	2,05	6,99	1,76	118,8	0,61	2,61	AHAM LBP	
-35	-31	45	32	45	111,8	382	96,2	1,24	4,23	1,07	90,3	0,46	1,33	opt	

Performance tables

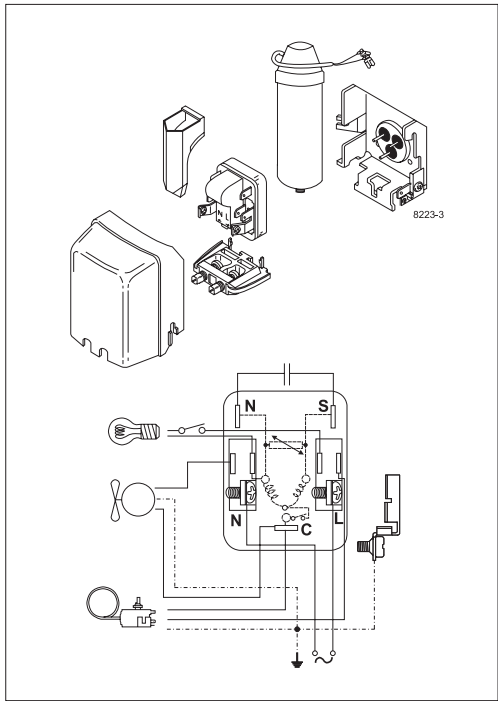
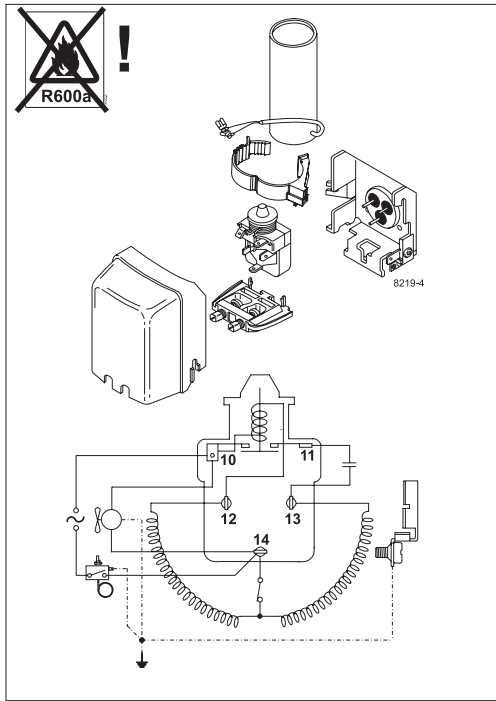
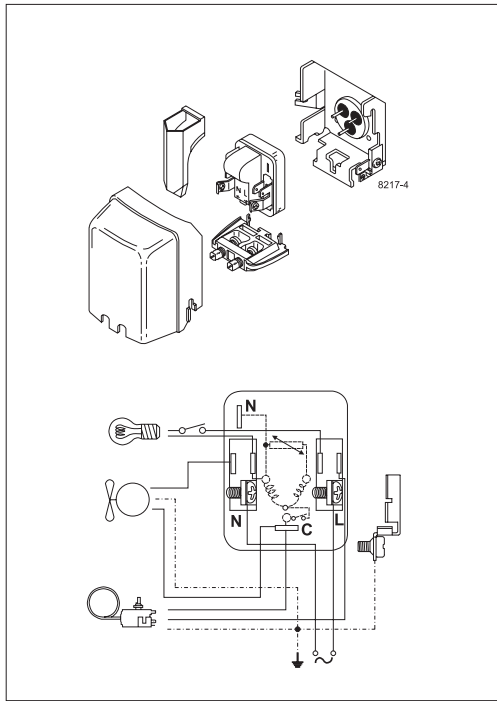
R600a, 220V/50Hz, RSCR, static, VDE

	pe	Cooling capacity				COP	EER	P1	I	m	
	[°C]	[°F]	[W]	[Btu/h]	[kcal/h]	[W/W]	[Btu/Wh]	[kcal/Wh]	[W]	[A]	[kg/h]
[°C / °F]	-35	-31	111,8	382	96,2	1,24	4,23	1,07	90,3	0,46	1,33
cond. pressure	-30	-22	150,2	513	129,2	1,44	4,93	1,24	103,9	0,53	1,79
pc= 45/113	-25	-13	196,5	671	169,1	1,67	5,71	1,44	117,6	0,60	2,34
return gas temp.	-23,3	-10	214,3	732	184,4	1,75	5,98	1,51	122,4	0,62	2,55
RGT= 32/90	-20	-4	252,0	861	216,8	1,91	6,51	1,64	132,1	0,67	3,00
liquid temp	-15	5	317,7	1085	273,4	2,14	7,31	1,84	148,5	0,75	3,80
Tliq= 45/113	-10	14	394,9	1349	339,9	2,36	8,04	2,03	167,7	0,83	4,73
[°C / °F]	-35	-31	90,8	310	78,2	1,05	3,60	0,91	86,1	0,46	1,18
cond. pressure	-30	-22	125,5	428	108,0	1,20	4,11	1,03	104,4	0,53	1,63
pc= 55/131	-25	-13	167,0	571	143,8	1,37	4,68	1,18	122,0	0,62	2,18
return gas temp	-23,3	-10	183,0	625	157,5	1,43	4,88	1,23	128,1	0,65	2,39
RGT= 32/90	-20	-4	216,8	740	186,6	1,55	5,29	1,33	140,0	0,70	2,83
liquid temp	-15	5	275,8	942	237,4	1,73	5,91	1,49	159,4	0,80	3,61
Tliq= 55/131	-10	14	345,3	1179	297,2	1,91	6,52	1,64	181,0	0,89	4,53



8238-20

NL Compressors





Service/Repair – R600a, R290



8545

Brazing on Suction Connectors (Direct Intake)

representative image



**! max. 150°C/302°F !
at socket**
brazing solder: phosphor (LP7) or silver

Refer to Product Bulletin:
**Brazing on Suction Connectors
(Compressors with Direct Suction Intake)**

Secop accepts no responsibility for possible errors in catalogs, brochures, and other printed material. Secop reserves the right to alter its products without notice. This also applies to products already on order provided that such alterations can be made without subsequential changes being necessary to specifications already agreed. All trademarks in this material are the property of the respective companies. Secop and the Secop logotype are trademarks of Secop GmbH. All rights reserved. www.secop.com