

## Single Pack HXK95AA 220-240V 50Hz RSCR

Codice Imballo Singolo: **195B4609**

Posizione	Titolo	Codice	Quantità
1	Compressor HXK95AA	16348100	1
2	Screw for cable clamp	10636000	1
3	Screw for cable clamp	10636200	1
4	Cover	10636401	1
5	Rubber grommet 16.5mm	10639900	4
6	Sleeve	10640100	4
7	Earth screw	10641201	1
8	Run capacitor (4 $\mu$ F 420V, 4.8mm)	11261700	1
9	Cable clamp	11341000	1
10	Terminal board 4.8mm	15163500	1

**Secop GmbH** • Lise-Meitner-Straße 29 • 24941 Flensburg, Germany • Tel: +49 46149410 • [www.secop.com](http://www.secop.com)

Secop non si assume alcuna responsabilità per eventuali errori presenti in cataloghi, brochure e altro materiale stampato. Secop si riserva il diritto di modificare i propri prodotti senza preavviso. Ciò vale anche per i prodotti già ordinati, a condizione che tali modifiche possano essere apportate senza che siano necessarie modifiche successive alle specifiche già concordate. Tutti i marchi presenti in questo materiale sono di proprietà delle rispettive aziende. Secop e il logo Secop sono marchi di Secop GmbH. Tutti i diritti sono riservati.

## Model

Designation	<b>HXK95AA</b>	220-240V/50Hz 1~	Sales code:	<b>16348100</b>
-------------	----------------	------------------	-------------	-----------------

## Compressor design

Oil type	Mineral	Refrigerant(s)	<b>R600a</b>
Oil viscosity	5cST	Displacement	9,6cm <sup>3</sup> / 0,59cu.in
Oil quantity	162cm <sup>3</sup> / 5,5fl.oz	Compressors on pallet	100
Refr. charge - tech. limit	150g / 5,3oz		
Free gas volume comp.	1560cm <sup>3</sup> / 52,7fl.oz		
Weight	9,3kg / 20,5lbs		
Motor protection	external		
Winding resistance main	22,4Ω (at 25°C)		
Winding resistance aux	15,3Ω (at 25°C)		
Max. winding temp.	130°C / 266°F		
Max. discharge temp.	130°C / 266°F		



## General - Configurations with HXK95AA

	<b>Conf. 1</b>
Motorconfiguration	RSCR
Power supply (nominal)	220-240V/50Hz
Number of phases	1
Voltage range	187-264V
Approvals	VDE
Starting torque	LST
Note	Various options of connectors are possible - please contact SECOP-Sales.

## Applications with HXK95AA

	<b>Conf. 1</b>
Refrigerant	R600a
Application	LBP
System cooling	static
Hot gas defrost	-/-
Long interval pull down	-/-

## Electrical data - Configurations with HXK95AA

	<b>Conf. 1</b>
Starting device type	PTC
Run capacitor	4μF
Start capacitor	-/-
LRA (locked rotor amps / 4s/ U(N))	
RLA (rated load amps / 1s/ U(N))	-/-A
Cut in current (U(N))	

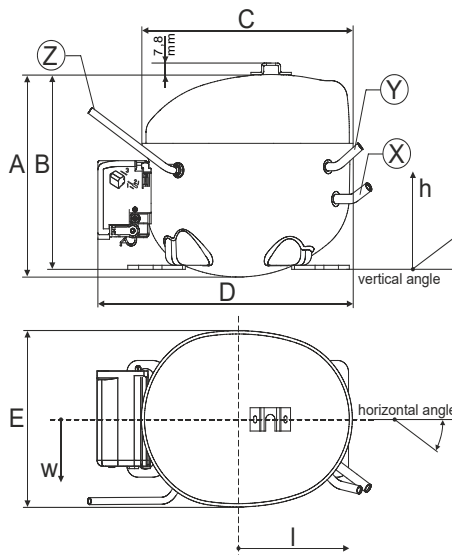
## Model

Designation	<b>HXK95AA</b>	220-240V/50Hz 1~	Sales code:	<b>16348100</b>
-------------	----------------	------------------	-------------	-----------------

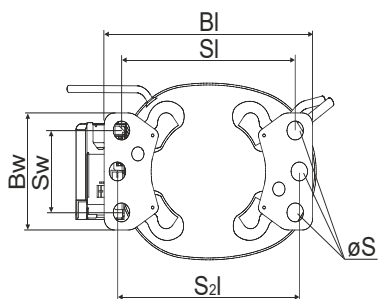
## Compressor dimensions

<b>Housing</b>	A Height	174mm / 6,85in
	B Height	167mm / 6,57in
	C Length shell	194mm / 7,64in
	D Length w. cover	238mm / 9,37in
	E Width	151mm / 5,94in

<b>Connectors</b>		<b>Suction</b>	<b>Discharge</b>	<b>Process</b>
		<b>X</b>	<b>Y</b>	<b>Z</b>
Diameter	[mm]	øi 6,1-6,2	øi 5,1-5,2	#NV
	(i:inside, o:outside) [in]	øi 0,24-0,24	øi 0,2-0,2	#NV
Material		copper	copper	#NV
Horizontal angle	±2°	45°	13°	0°
Vertical angle	±2°	35°	40°	145°
Position l/h/w	[mm]	120/72/62	112/106/62	-140/136/70
	[in]	4,7/2,8/2,4	4,4/4,2/2,4	-5,5/5,4/2,8
Straight tube l.	[mm]	14	14	#NV
	[in]	0,5	0,5	#NV

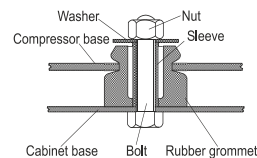


## Compressor fixation

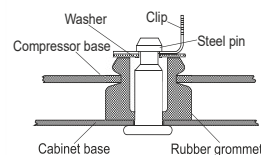


Baseplate	[mm]	[inch]
BI	204	8.03
BW	100	3.94
Small holes		
	[mm]	[inch]
SI	170	6.7
SW	70	2.76
S2l	178	7
øS	ø 16	ø 0.63

### Bolt joint



### Snap-on



## Mounting accessories

'4ZN' with rubber grommet	order code	772N
'4ZN' with rubber grommet and sleeve for M6		768N
Bolt joint kit		4ZN + 118-1917 (18)
'4ZN' with Snap on kit		776N

## Application notes

- Provision for PE Grounding is located at the PE Stamp on the compressor Housing with dip-tray fixture (omega bracket).
- Various options of connectors are possible - please contact SECOP-Sales.

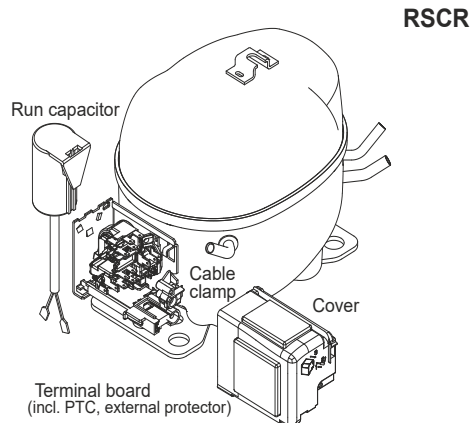
### Model

Designation	<b>HXK95AA</b>	<b>220-240V/50Hz</b>	Conf. 1	Sales code:	<b>16348100</b>
-------------	----------------	----------------------	---------	-------------	-----------------

### Configuration

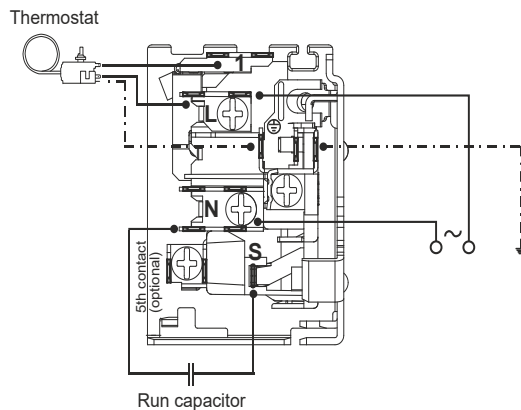
Motorconfiguration	RSCR
Power supply (nominal)	220-240V/50Hz 1~
Refrigerant	R600a
Application	LBP
Voltage range	187-264V
Starting torque	LST
Approvals	VDE

### Electrical accessories / wiring diagram

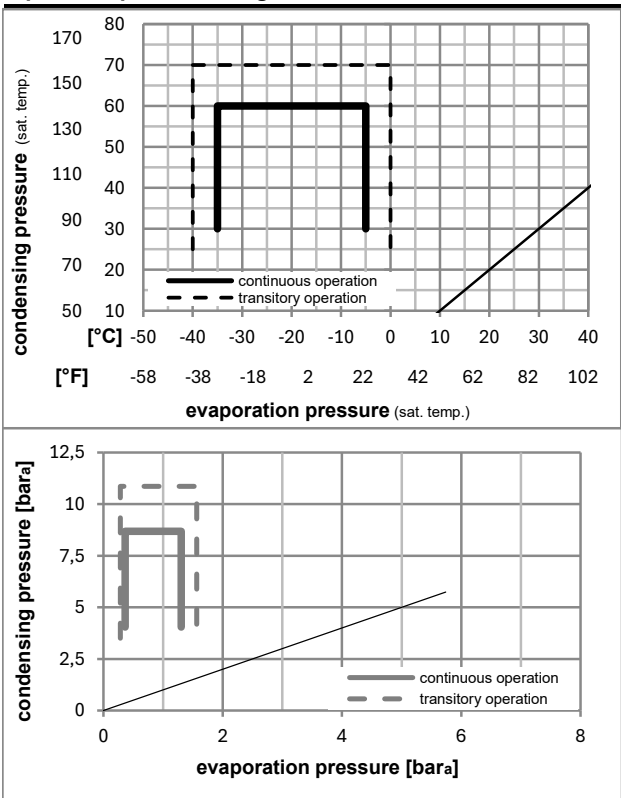


### Ambient/ machine room temperatures minimum /maximum

Ambient temperature range:	10 - 43°C / 50 - 110°F
Machine room temperature range:	10 - 48°C / 50 - 119°F
Compressor cooling:	static



### Operation pressure range



### Components

. terminal board (PTC, 4.8mm)	15163500
. run capacitor (4μF, 4.8mm)	11261700
b cover terminal board	10636401
. cable clamp	11341000
. screw - uni6954	10636000
. screw - uni6954	10636200

### Alternative components

. terminal board (PTC, 6.3mm)	15279300
. run capacitor (4μF, 6.3mm)	15186801
. screw uni en iso 4757	10641201

## Model

Designation	<b>HXK95AA</b>	<b>220-240V/50Hz</b>	Conf. 1	Sales code:	<b>16348100</b>
-------------	----------------	----------------------	---------	-------------	-----------------

## Optimization + standard conditions

R600a, 220V/50Hz, RSCR, static, VDE

Evaporating pressure (saturation temperature)				Condensing pressure (saturation temperature)				Power consumption				Ref. mass flow ṁ	ASHRAE LBP	
Return gas temp.		Liquid temp.		Cooling capacity		COP	EER	P1	I	[kg/h]				
pe	pc	RGT	Tliq	[W]	[Btu/h]	[kcal/h]	[W/W]	[Btu/Wh]	[kcal/Wh]		[W]	[A]		
[°C]	-23	54	32	32	171,0	584	147,2	1,91	6,52	1,64	89,5	0,40	1,84	
[°F]	-10	130	90	90										
[°C]	-25	55	32	55	128,6	439	110,7	1,50	5,13	1,29	85,6	0,39	1,68	cecomaf LBP
[°F]	-13	131	90	131										
[°C]	-35	40	20	40	87,8	300	75,5	1,42	4,87	1,23	61,6	0,31	1,07	EN12900 LBP
[°F]	-31	104	68	104										
[°C]	-23	49	4,4	49	139,1	475	119,8	1,59	5,42	1,37	87,7	0,39	2,03	ARI540 LBP
[°F]	-10	120	40	120										
[°C]	-23	41	32	32	184,2	629	158,5	2,16	7,36	1,86	85,4	0,38	1,98	AHAM LBP
[°F]	-10	105	90	90										
[°C]	-35	45	32	45	84,5	288	72,7	1,36	4,63	1,17	62,3	0,31	1,00	opt
[°F]	-31	113	90	113										

## Performance tables

R600a, 220V/50Hz, RSCR, static, VDE

	pe		Cooling capacity			COP	EER	P1	I	m	
	[°C]	[°F]	[W]	[Btu/h]	[kcal/h]	[W/W]	[Btu/Wh]	[kcal/Wh]	[W]	[A]	[kg/h]
[°C / °F]	-35	-31	84,5	288	72,7	1,36	4,63	1,17	62,3	0,31	1,00
cond. pressure	-30	-22	113,9	389	98,0	1,58	5,40	1,36	72,1	0,34	1,35
pc= 45/113	-25	-13	149,1	509	128,4	1,80	6,15	1,55	82,8	0,37	1,78
return gas temp.	-23	-10	162,4	555	139,8	1,88	6,41	1,61	86,6	0,38	1,93
RGT= 32/90	-20	-4	190,0	649	163,5	2,02	6,90	1,74	94,0	0,41	2,27
liquid temp	-15	5	236,4	807	203,5	2,24	7,65	1,93	105,5	0,44	2,82
Tliq= 45/113	-5	23	345,3	1179	297,2	2,70	9,21	2,32	128,0	0,55	4,15
[°C / °F]	-35	-31	72,9	249	62,7	1,14	3,89	0,98	64,0	0,32	0,95
cond. pressure	-30	-22	97,7	334	84,1	1,32	4,50	1,13	74,1	0,35	1,27
pc= 55/131	-25	-13	128,6	439	110,7	1,50	5,13	1,29	85,6	0,39	1,68
return gas temp	-23	-10	140,5	480	120,9	1,56	5,34	1,35	89,8	0,40	1,83
RGT= 32/90	-20	-4	165,6	565	142,5	1,68	5,75	1,45	98,3	0,43	2,16
liquid temp	-15	5	208,5	712	179,4	1,87	6,37	1,61	111,8	0,47	2,73
Tliq= 55/131	-5	23	311,6	1064	268,2	2,22	7,59	1,91	140,2	0,59	4,10



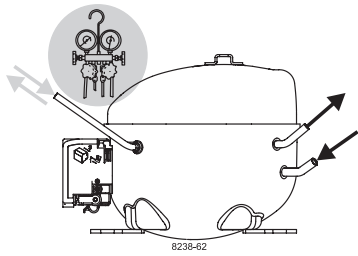
# K-Series Compressors

## GTK, HKK, HMK, HTK, HXK, HZK



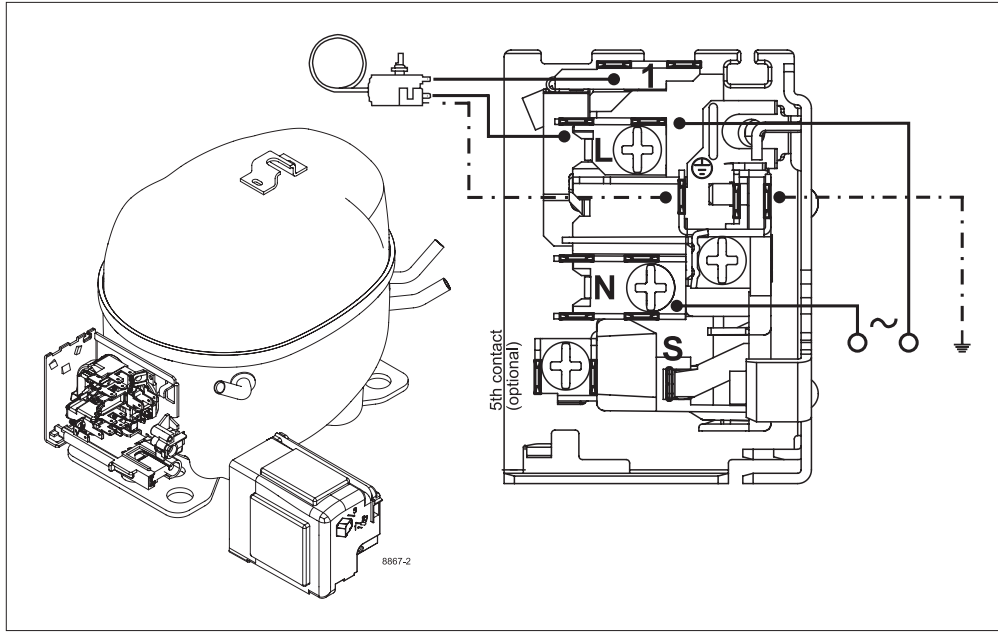
### Service/Repair – R600a

**R600a**



# K-Series Compressors

## GTK, HKK, HMK, HTK, HXK, HZK



### Service/Repair – R600a

Secop accepts no responsibility for possible errors in catalogs, brochures, and other printed material. Secop reserves the right to alter its products without notice. This also applies to products already on order provided that such alterations can be made without subsequential changes being necessary to specifications already agreed. All trademarks in this material are the property of the respective companies. Secop and the Secop logotype are trademarks of Secop GmbH. All rights reserved. [www.secop.com](http://www.secop.com)