

Single Pack HXK70AT 200-240V 50Hz RSIR

Codice Imballo Singolo: **195B4616**

Posizione	Titolo	Codice	Quantità
1	Compressor HXK70AT	16425000	1
2	Clip	10633900	4
3	Steel pin	10634100	4
4	Washer	10634300	4
5	Screw for cable clamp	10636000	1
6	Screw for cable clamp	10636200	1
7	Cover	10636401	1
8	Earth screw	10641201	1
9	Rubber grommet 16mm	11322600	4
10	Cable clamp	11341000	1
11	Terminal board 6.3mm	15279300	1

Secop GmbH • Lise-Meitner-Straße 29 • 24941 Flensburg, Germany • Tel: +49 46149410 • www.secop.com

Secop non si assume alcuna responsabilità per eventuali errori presenti in cataloghi, brochure e altro materiale stampato. Secop si riserva il diritto di modificare i propri prodotti senza preavviso. Ciò vale anche per i prodotti già ordinati, a condizione che tali modifiche possano essere apportate senza che siano necessarie modifiche successive alle specifiche già concordate. Tutti i marchi presenti in questo materiale sono di proprietà delle rispettive aziende. Secop e il logo Secop sono marchi di Secop GmbH. Tutti i diritti sono riservati.

Model

Designation	HXK70AT	220-240V/50Hz 1~	Sales code:	16425000
-------------	----------------	-------------------------	-------------	-----------------

Compressor design

Oil type	Mineral	Refrigerant(s)	R600a
Oil viscosity	5cST	Displacement	6,64cm ³ / 0,41cu.in
Oil quantity	162cm ³ / 5,5fl.oz	Compressors on pallet	100
Refr. charge - tech. limit	150g / 5,3oz		
Free gas volume comp.	1620cm ³ / 54,8fl.oz		
Weight	8,2kg / 18,1lbs		
Motor protection	external		
Winding resistance main	24,3Ω (at 25°C)		
Winding resistance aux	13,8Ω (at 25°C)		
Max. winding temp.	130°C / 266°F		
Max. discharge temp.	130°C / 266°F		



General - Configurations with HXK70AT

	Conf. 1	Conf. 2	Conf. 3	Conf. 4
Motorconfiguration	RSIR	RSCR	RSIR	RSCR
Power supply (nominal)	200-240V/50Hz	200-240V/50Hz	220-240V/50Hz	220-240V/50Hz
Number of phases	1	1	1	1
Voltage range	170-264V	170-264V	170-264V	170-264V
Approvals	VDE	VDE	VDE	VDE
Starting torque	LST	LST	LST	LST
Note	Various options of connectors are possible - please contact SECOP-Sales.			

Applications with HXK70AT

	Conf. 1	Conf. 2	Conf. 3	Conf. 4
Refrigerant	R600a	R600a	R600a	R600a
Application	LBP	LBP	LBP	LBP
System cooling	static	static	static	static
Hot gas defrost	-/-	-/-	-/-	-/-
Long interval pull down	-/-	-/-	-/-	-/-

Electrical data - Configurations with HXK70AT

	Conf. 1	Conf. 2	Conf. 3	Conf. 4
Starting device type	PTC	PTC	PTC	PTC
Run capacitor	-/-	4μF	-/-	4μF
Start capacitor	-/-	-/-	-/-	-/-
LRA (locked rotor amps / 4s/ U(N))				
RLA (rated load amps / 1s/ U(N))	-/-A	-/-A	-/-A	-/-A
Cut in current (U(N))				

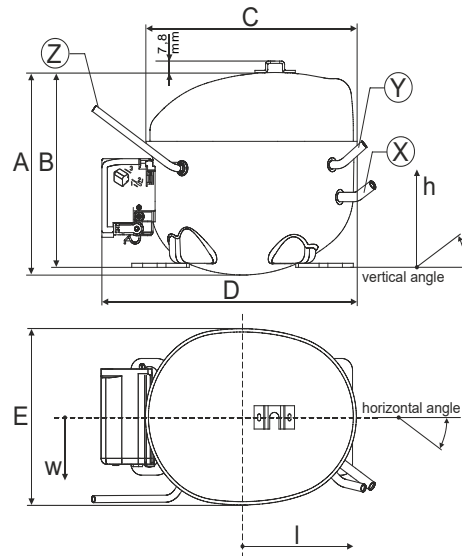
Model

Designation	HXK70AT	220-240V/50Hz 1~	Sales code:	16425000
-------------	----------------	------------------	-------------	-----------------

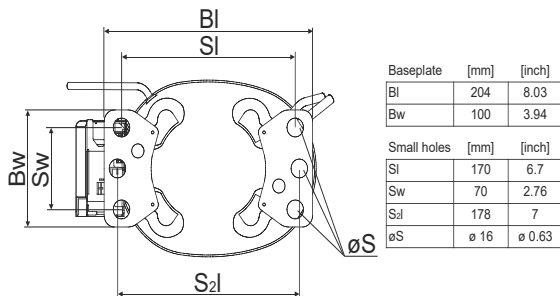
Compressor dimensions

Housing	A Height	174mm / 6,85in
	B Height	167mm / 6,57in
	C Length shell	194mm / 7,64in
	D Length w. cover	238mm / 9,37in
	E Width	151mm / 5,94in

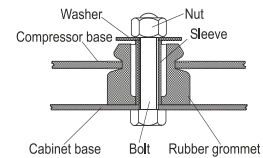
Connectors		Suction	Discharge	Process
		X	Y	Z
Diameter	[mm]	øi 6,1-6,2	øi 5,1-5,2	øo 5,92-6,08
	(i:inside, o:outside) [in]	øi 0,24-0,24	øi 0,2-0,2	øo 0,23-0,24
Material		copper	copper	copper
Horizontal angle	±2°	45°	13°	0°
Vertical angle	±2°	30°	40°	145°
Position l/h/w	[mm]	120/72/62	112/106/62	-140/136/70
	[in]	4,7/2,8/2,4	4,4/4,2/2,4	-5,5/5,4/2,8
Straight tube l.	[mm]	14	14	75
	[in]	0,5	0,5	3



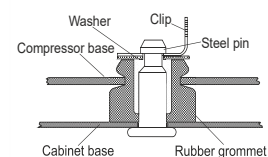
Compressor fixation



Bolt joint



Snap-on



Mounting accessories

	order code
'4ZN' with rubber grommet	772N
'4ZN' with rubber grommet and sleeve for M6	768N
Bolt joint kit	4ZN + 118-1917 (18)
'4ZN' with Snap on kit	776N

Application notes

Provision for PE Grounding is located at the PE Stamp on the compressor Housing with dip-tray fixture (omega bracket).
 Various options of connectors are possible - please contact SECOP-Sales.

Model

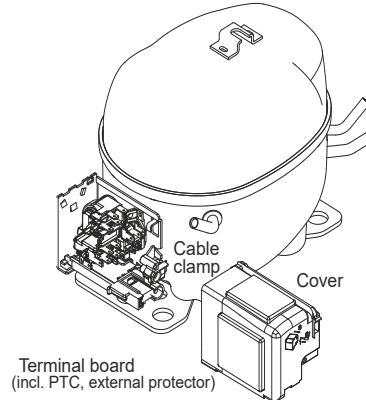
Designation	HXK70AT	200-240V/50Hz	Conf. 1	Sales code:	16425000
-------------	----------------	----------------------	---------	-------------	-----------------

Configuration

Motorconfiguration	RSIR
Power supply (nominal)	200-240V/50Hz 1~
Refrigerant	R600a
Application	LBP
Voltage range	170-264V
Starting torque	LST
Approvals	VDE

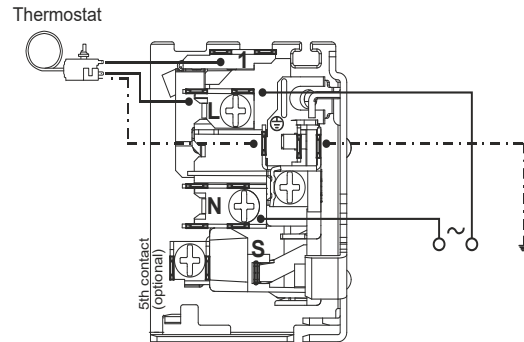
Electrical accessories / wiring diagram

RSIR

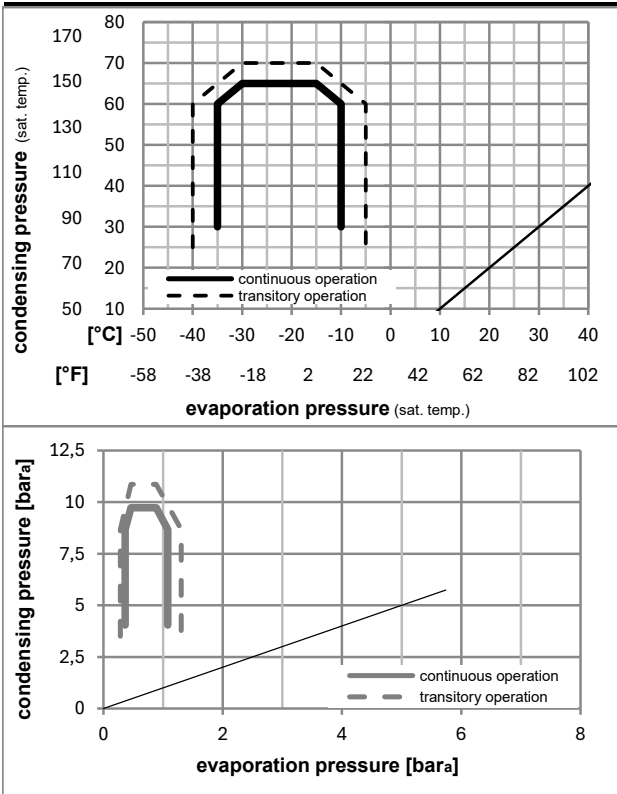


Ambient/ machine room temperatures minimum /maximum

Ambient temperature range:	10 - 43°C / 50 - 110°F
Machine room temperature range:	10 - 48°C / 50 - 119°F
Compressor cooling:	static



Operation pressure range



8858-6

Components

. terminal board (PTC, 6.3mm)	15279300
b cover terminal board	10636401
. cable clamp	11341000
. screw - uni6954	10636000
. screw - uni6954	10636200
. screw uni en iso 4757	10641201

Model

Designation **HXK70AT** **200-240V/50Hz** Conf. 1 Sales code: **16425000**

Optimization + standard conditions

R600a, 200V/50Hz, RSIR, static, VDE

Evaporating pressure (saturation temperature)				Condensing pressure (saturation temperature)				Power consumption				Ref. mass flow ṁ	ASHRAE LBP	
Return gas temp.		Liquid temp.		Cooling capacity		COP	EER	P1	I	[kg/h]				
pe	pc	RGT	Tliq	[W]	[Btu/h]	[kcal/h]	[W/W]	[Btu/Wh]	[kcal/Wh]		[W]	[A]		
[°C]	-23	54	32	32	118,3	404	101,8	1,64	5,59	1,41	72,2	0,36	1,27	ASHRAE LBP
[°F]	-10	130	90	90										
[°C]	-25	55	32	55	88,5	302	76,2	1,28	4,37	1,10	69,2	0,34	1,16	cecomaf LBP
[°F]	-13	131	90	131										
[°C]	-35	40	20	40	66,4	227	57,1	1,29	4,39	1,11	51,6	0,26	0,81	EN12900 LBP
[°F]	-31	104	68	104										
[°C]	-23	49	4,4	49	96,7	330	83,2	1,37	4,67	1,18	70,7	0,35	1,41	ARI540 LBP
[°F]	-10	120	40	120										
[°C]	-23	41	32	32	125,9	430	108,3	1,87	6,39	1,61	67,2	0,34	1,35	AHAM LBP
[°F]	-10	105	90	90										
[°C]	-35	45	32	45	64,4	220	55,4	1,23	4,22	1,06	52,2	0,26	0,76	opt
[°F]	-31	113	90	113										

Performance tables

R600a, 200V/50Hz, RSIR, static, VDE

	pe		Cooling capacity			COP	EER	P1	I	m	
	[°C]	[°F]	[W]	[Btu/h]	[kcal/h]	[W/W]	[Btu/Wh]	[kcal/Wh]	[W]	[A]	[kg/h]
[°C / °F]	-35	-31	64,4	220	55,4	1,23	4,22	1,06	52,2	0,26	0,76
cond. pressure	-30	-22	80,9	276	69,6	1,36	4,66	1,17	59,3	0,30	0,96
pc= 45/113	-25	-13	103,3	353	88,9	1,55	5,29	1,33	66,7	0,33	1,23
return gas temp.	-23	-10	112,3	384	96,6	1,62	5,54	1,40	69,2	0,34	1,34
RGT= 32/90	-20	-4	131,8	450	113,4	1,77	6,06	1,53	74,3	0,37	1,57
liquid temp	-15	5	166,5	569	143,3	2,03	6,93	1,75	82,0	0,40	1,99
Tliq= 45/113	-10	14	207,6	709	178,6	2,31	7,89	1,99	89,8	0,43	2,48
[°C / °F]	-35	-31	48,1	164	41,4	0,95	3,24	0,82	50,7	0,26	0,63
cond. pressure	-30	-22	66,2	226	57,0	1,11	3,78	0,95	59,9	0,30	0,86
pc= 55/131	-25	-13	88,5	302	76,2	1,28	4,37	1,10	69,2	0,34	1,16
return gas temp	-23	-10	97,1	332	83,6	1,34	4,58	1,15	72,4	0,36	1,27
RGT= 32/90	-20	-4	115,1	393	99,0	1,46	5,00	1,26	78,6	0,38	1,50
liquid temp	-15	5	146,0	498	125,6	1,66	5,67	1,43	88,0	0,43	1,91
Tliq= 55/131	-10	14	181,3	619	156,0	1,86	6,37	1,60	97,2	0,47	2,38

Model

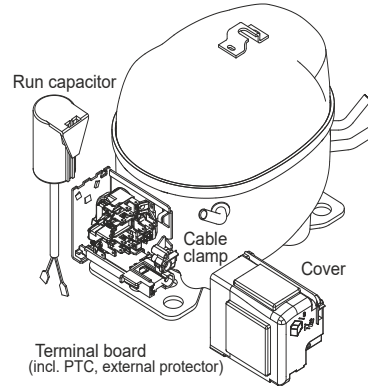
Designation	HXK70AT	200-240V/50Hz	Conf. 2	Sales code:	16425000
-------------	----------------	----------------------	----------------	-------------	-----------------

Configuration

Motorconfiguration	RSCR
Power supply (nominal)	200-240V/50Hz 1~
Refrigerant	R600a
Application	LBP
Voltage range	170-264V
Starting torque	LST
Approvals	VDE

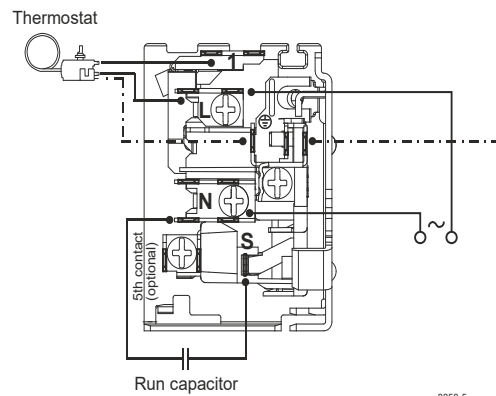
Electrical accessories / wiring diagram

RSCR

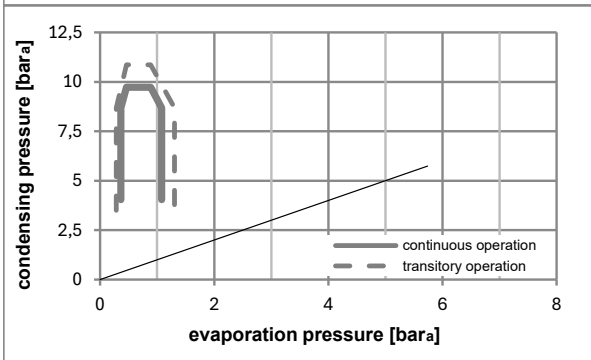
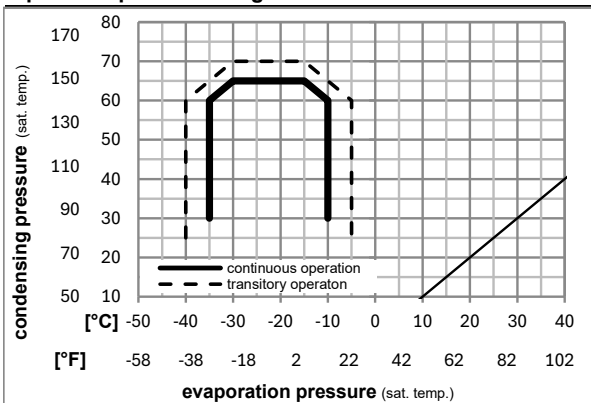


Ambient/ machine room temperatures minimum /maximum

Ambient temperature range:	10 - 43°C / 50 - 110°F
Machine room temperature range:	10 - 48°C / 50 - 119°F
Compressor cooling:	static



Operation pressure range



Components

. terminal board (PTC, 6.3mm)	15279300
. run capacitor (4μF, 6.3mm)	15186801
b cover terminal board	10636401
. cable clamp	11341000
. screw - uni6954	10636000
. screw - uni6954	10636200

Alternative components

. screw uni en iso 4757	10641201
-------------------------	----------

Model

Designation	HXK70AT	200-240V/50Hz	Conf. 2	Sales code:	16425000
-------------	----------------	----------------------	----------------	-------------	-----------------

Optimization + standard conditions

R600a, 200V/50Hz, RSCR, static, VDE

		Evaporating pressure (saturation temperature)				Cooling capacity			COP	EER		Power consumption			
		Condensing pressure (saturation temperature)				Return gas temp.					P1	I	Ref. mass flow		
		Liquid temp.				Cooling capacity									
		pe	pc	RGT	Tliq	[W]	[Btu/h]	[kcal/h]	[W/W]	[Btu/Wh]	[kcal/Wh]	[W]	[A]	[kg/h]	
[°C]	-23	54	32	32	118,3	404	101,8	1,72	5,87	1,48	68,9	0,34	1,27	ASHRAE LBP	
[°F]	-10	130	90	90											
[°C]	-25	55	32	55	88,5	302	76,2	1,34	4,58	1,15	66,0	0,33	1,16	cecomaf LBP	
[°F]	-13	131	90	131											
[°C]	-35	40	20	40	66,4	227	57,1	1,35	4,61	1,16	49,2	0,25	0,81	EN12900 LBP	
[°F]	-31	104	68	104											
[°C]	-23	49	4,4	49	96,7	330	83,2	1,43	4,90	1,23	67,4	0,33	1,41	ARI540 LBP	
[°F]	-10	120	40	120											
[°C]	-23	41	32	32	125,9	430	108,3	1,96	6,71	1,69	64,1	0,32	1,35	AHAM LBP	
[°F]	-10	105	90	90											
[°C]	-35	45	32	45	64,4	220	55,4	1,29	4,42	1,11	49,7	0,25	0,76	opt	
[°F]	-31	113	90	113											

Performance tables

R600a, 200V/50Hz, RSCR, static, VDE

	pe		Cooling capacity			COP	EER		P1	I	m
	[°C]	[°F]	[W]	[Btu/h]	[kcal/h]	[W/W]	[Btu/Wh]	[kcal/Wh]	[W]	[A]	[kg/h]
[°C / °F]	-35	-31	64,4	220	55,4	1,29	4,42	1,11	49,7	0,25	0,76
cond. pressure	-30	-22	80,9	276	69,6	1,43	4,89	1,23	56,5	0,28	0,96
pc= 45/113	-25	-13	103,3	353	88,9	1,62	5,55	1,40	63,6	0,32	1,23
return gas temp.	-23	-10	112,3	384	96,6	1,70	5,81	1,46	66,0	0,33	1,34
RGT= 32/90	-20	-4	131,8	450	113,4	1,86	6,36	1,60	70,8	0,35	1,57
liquid temp	-15	5	166,5	569	143,3	2,13	7,27	1,83	78,2	0,38	1,99
Tliq= 45/113	-10	14	207,6	709	178,6	2,42	8,28	2,09	85,6	0,41	2,48
[°C / °F]	-35	-31	48,1	164	41,4	0,99	3,39	0,86	48,4	0,24	0,63
cond. pressure	-30	-22	66,2	226	57,0	1,16	3,96	1,00	57,1	0,29	0,86
pc= 55/131	-25	-13	88,5	302	76,2	1,34	4,58	1,15	66,0	0,33	1,16
return gas temp	-23	-10	97,1	332	83,6	1,41	4,80	1,21	69,0	0,34	1,27
RGT= 32/90	-20	-4	115,1	393	99,0	1,54	5,24	1,32	75,0	0,37	1,50
liquid temp	-15	5	146,0	498	125,6	1,74	5,94	1,50	83,9	0,41	1,91
Tliq= 55/131	-10	14	181,3	619	156,0	1,96	6,68	1,68	92,7	0,45	2,38

Model

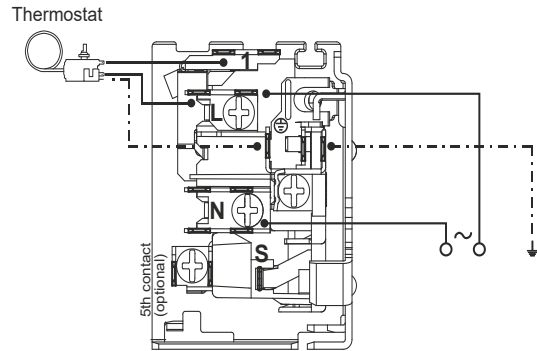
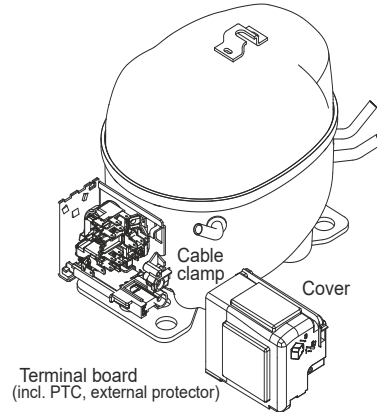
Designation	HXK70AT	220-240V/50Hz	Conf. 3	Sales code:	16425000
-------------	----------------	----------------------	----------------	-------------	-----------------

Configuration

Motorconfiguration	RSIR
Power supply (nominal)	220-240V/50Hz 1~
Refrigerant	R600a
Application	LBP
Voltage range	170-264V
Starting torque	LST
Approvals	VDE

Electrical accessories / wiring diagram

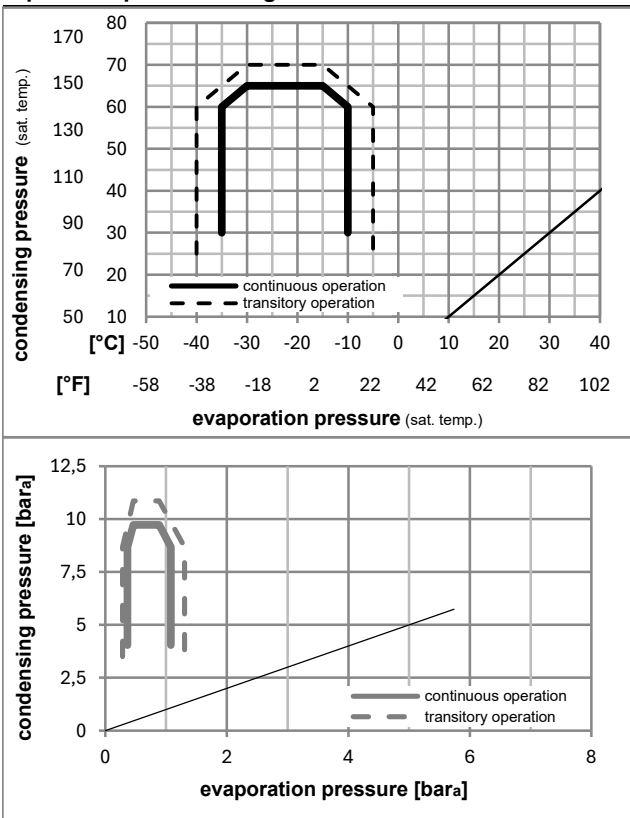
RSIR



Ambient/ machine room temperatures minimum /maximum

Ambient temperature range:	10 - 43°C / 50 - 110°F
Machine room temperature range:	10 - 48°C / 50 - 119°F
Compressor cooling:	static

Operation pressure range



8858-6

Components

.	terminal board (PTC, 6.3mm)	15279300
b	cover terminal board	10636401
.	cable clamp	11341000
.	screw - uni6954	10636000
.	screw - uni6954	10636200
.	screw uni en iso 4757	10641201

Model

Designation **HXK70AT** **220-240V/50Hz** Conf. **3** Sales code: **16425000**

Optimization + standard conditions

R600a, 230V/50Hz, RSIR, static, VDE

	Evaporating pressure (saturation temperature)				Condensing pressure (saturation temperature)			Return gas temp.			Liquid temp.			Cooling capacity			COP	EER	Power consumption			ASHRAE LBP
	pe	pc	RGT	Tliq	[W]	[Btu/h]	[kcal/h]	[W/W]	[Btu/Wh]	[kcal/Wh]	P1	I	m	[W]	[A]	[kg/h]						
[°C]	-23	54	32	32	117,5	401	101,2	1,57	5,37	1,35	74,8	0,37	1,26									
[°F]	-10	130	90	90																		
	-25	55	32	55	87,9	300	75,7	1,23	4,19	1,06	71,6	0,36	1,15									
	-13	131	90	131																		
	-35	40	20	40	65,9	225	56,8	1,23	4,22	1,06	53,4	0,27	0,80									
	-31	104	68	104																		
	-23	49	4,4	49	96,0	328	82,7	1,31	4,48	1,13	73,1	0,36	1,40									
	-10	120	40	120																		
	-23	41	32	32	125,0	427	107,6	1,80	6,14	1,55	69,6	0,35	1,34									
	-10	105	90	90																		
	-35	45	32	45	64,0	218	55,0	1,18	4,05	1,02	54,0	0,27	0,76									
	-31	113	90	113																		

Performance tables

R600a, 230V/50Hz, RSIR, static, VDE

	pe		Cooling capacity			COP	EER		P1	I	m
	[°C]	[°F]	[W]	[Btu/h]	[kcal/h]	[W/W]	[Btu/Wh]	[kcal/Wh]	[W]	[A]	[kg/h]
[°C / °F]	-35	-31	64,0	218	55,0	1,18	4,05	1,02	54,0	0,27	0,76
cond. pressure	-30	-22	80,3	274	69,1	1,31	4,47	1,13	61,3	0,31	0,95
pc= 45/113	-25	-13	102,6	350	88,3	1,49	5,08	1,28	69,0	0,35	1,22
return gas temp.	-23	-10	111,5	381	96,0	1,56	5,32	1,34	71,7	0,36	1,33
RGT= 32/90	-20	-4	130,9	447	112,7	1,70	5,82	1,47	76,9	0,38	1,56
liquid temp	-15	5	165,4	565	142,4	1,95	6,65	1,68	84,9	0,42	1,98
Tliq= 45/113	-10	14	206,1	704	177,4	2,22	7,58	1,91	92,9	0,45	2,47
[°C / °F]	-35	-31	47,7	163	41,1	0,91	3,11	0,78	52,5	0,27	0,62
cond. pressure	-30	-22	65,8	225	56,6	1,06	3,63	0,91	62,0	0,31	0,86
pc= 55/131	-25	-13	87,9	300	75,7	1,23	4,19	1,06	71,6	0,36	1,15
return gas temp	-23	-10	96,4	329	83,0	1,29	4,39	1,11	74,9	0,37	1,26
RGT= 32/90	-20	-4	114,3	390	98,4	1,40	4,80	1,21	81,4	0,40	1,49
liquid temp	-15	5	145,0	495	124,8	1,59	5,44	1,37	91,1	0,44	1,90
Tliq= 55/131	-10	14	180,1	615	155,0	1,79	6,11	1,54	100,6	0,49	2,36

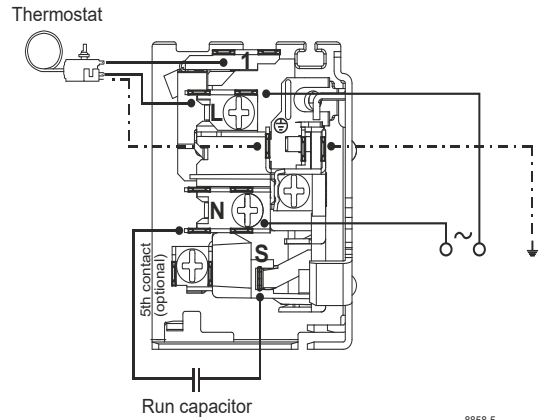
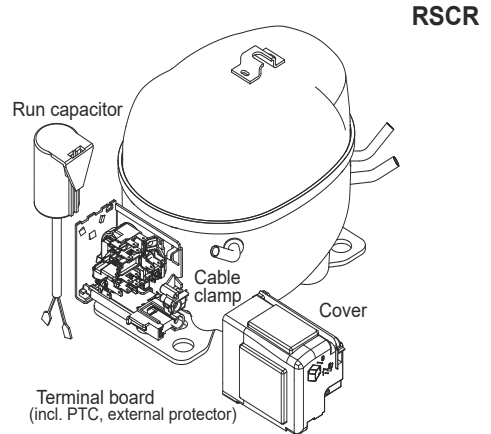
Model

Designation **HXK70AT** **220-240V/50Hz** Conf. 4 Sales code: **16425000**

Configuration

Motorconfiguration RSCR
 Power supply (nominal) 220-240V/50Hz 1~
 Refrigerant R600a
 Application LBP
 Voltage range 170-264V
 Starting torque LST
 Approvals VDE

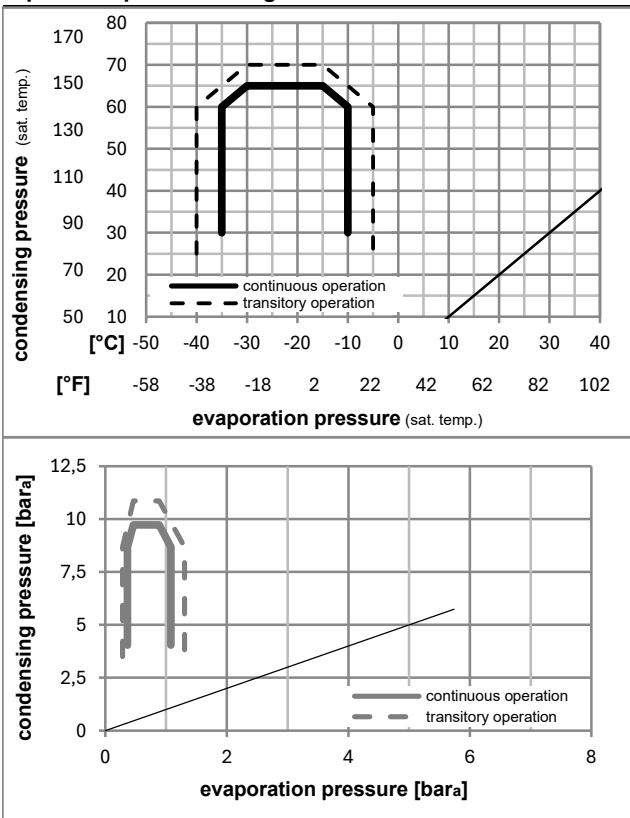
Electrical accessories / wiring diagram



Ambient/ machine room temperatures minimum /maximum

Ambient temperature range: 10 - 43°C / 50 - 110°F
 Machine room temperature range: 10 - 48°C / 50 - 119°F
 Compressor cooling: static

Operation pressure range



Components

- . terminal board (PTC, 6.3mm) 15279300
- . run capacitor (4μF, 6.3mm) 15186801
- b cover terminal board 10636401
- . cable clamp 11341000
- . screw - uni6954 10636000
- . screw - uni6954 10636200

Alternative components

- . screw uni en iso 4757 10641201

Model

Designation **HXK70AT** **220-240V/50Hz** Conf. 4 Sales code: **16425000**

Optimization + standard conditions

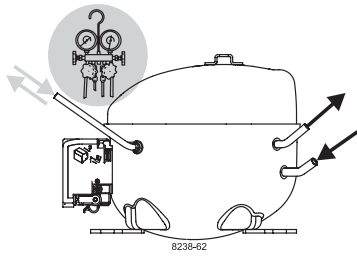
R600a, 230V/50Hz, RSCR, static, VDE

	pe	pc	RGT	Tliq	Cooling capacity	COP	EER	P1	I	Ref. mass flow	
	[°C]	[°C]	[°C]	[°C]	[W]	[W/W]	[Btu/Wh]	[W]	[A]	[kg/h]	
Evaporating pressure (saturation temperature)	-23	54	32	32	117,5	1,65	5,63	71,3	0,35	1,26	ASHRAE LBP
Condensing pressure (saturation temperature)	-10	130	90	90	401	1,65	5,63	71,3	0,35	1,26	ASHRAE LBP
Return gas temp.					101,2	1,65	5,63	71,3	0,35	1,26	ASHRAE LBP
Liquid temp.					117,5	1,65	5,63	71,3	0,35	1,26	ASHRAE LBP
Power consumption					117,5	1,65	5,63	71,3	0,35	1,26	ASHRAE LBP
Current consumption					117,5	1,65	5,63	71,3	0,35	1,26	ASHRAE LBP
Ref. mass flow					117,5	1,65	5,63	71,3	0,35	1,26	ASHRAE LBP
	[°F]	[°F]	[°F]	[°F]	[Btu/h]	[W/W]	[Btu/Wh]	[W]	[A]	[kg/h]	
	-10	130	90	90	401	1,65	5,63	71,3	0,35	1,26	ASHRAE LBP
	-25	55	32	55	87,9	1,29	4,40	68,3	0,34	1,15	cecomaf LBP
	-13	131	90	131	300	1,29	4,40	68,3	0,34	1,15	cecomaf LBP
	-35	40	20	40	65,9	1,30	4,42	50,9	0,26	0,80	EN12900 LBP
	-31	104	68	104	225	1,30	4,42	50,9	0,26	0,80	EN12900 LBP
	-23	49	4,4	49	96,0	1,38	4,70	69,7	0,35	1,40	ARI540 LBP
	-10	120	40	120	328	1,38	4,70	69,7	0,35	1,40	ARI540 LBP
	-23	41	32	32	125,0	1,88	6,44	66,4	0,33	1,34	AHAM LBP
	-10	105	90	90	427	1,88	6,44	66,4	0,33	1,34	AHAM LBP
	-35	45	32	45	64,0	1,24	4,24	51,5	0,26	0,76	opt
	-31	113	90	113	218	1,24	4,24	51,5	0,26	0,76	opt

Performance tables

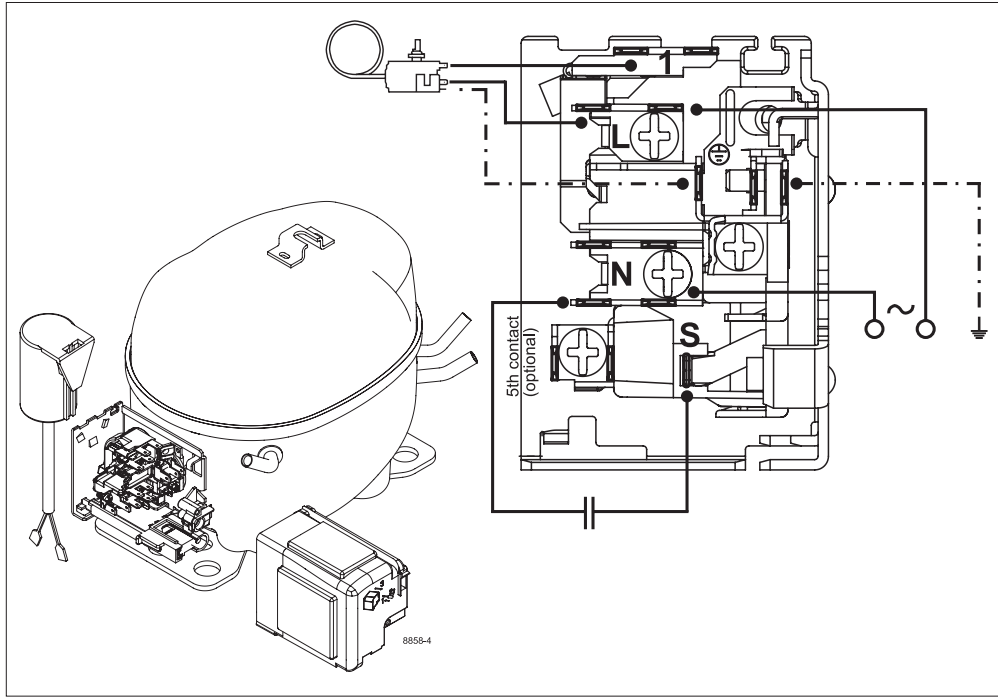
R600a, 230V/50Hz, RSCR, static, VDE

	pe	pc	RGT	Tliq	Cooling capacity	COP	EER	P1	I	m
	[°C]	[°F]	[°C]	[°C]	[W]	[W/W]	[Btu/Wh]	[W]	[A]	[kg/h]
cond. pressure	-35	-31	-30	-22	64,0	1,24	4,24	51,5	0,26	0,76
pc= 45/113	-25	-13	-25	-13	102,6	1,56	5,33	65,8	0,33	1,22
return gas temp.	-23	-10	-23	-10	111,5	1,63	5,58	68,3	0,34	1,33
RGT= 32/90	-20	-4	-20	-4	130,9	1,79	6,10	73,3	0,36	1,56
liquid temp	-15	5	-15	5	165,4	2,04	6,98	80,9	0,40	1,98
Tliq= 45/113	-10	14	-10	14	206,1	2,33	7,95	88,6	0,43	2,47
cond. pressure	-35	-31	-30	-22	47,7	0,95	3,26	50,0	0,25	0,62
pc= 55/131	-25	-13	-25	-13	87,9	1,29	4,40	68,3	0,34	1,15
return gas temp.	-23	-10	-23	-10	96,4	1,35	4,61	71,5	0,35	1,26
RGT= 32/90	-20	-4	-20	-4	114,3	1,47	5,03	77,6	0,38	1,49
liquid temp	-15	5	-15	5	145,0	1,67	5,70	86,8	0,42	1,90
Tliq= 55/131	-10	14	-10	14	180,1	1,88	6,41	95,9	0,46	2,36

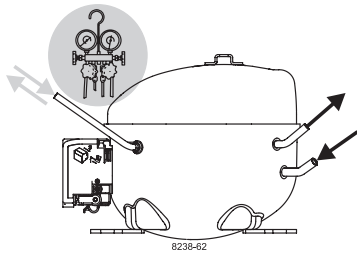


K-Series Compressors

GTK, HKK, HMK, HTK, HXK, HZK

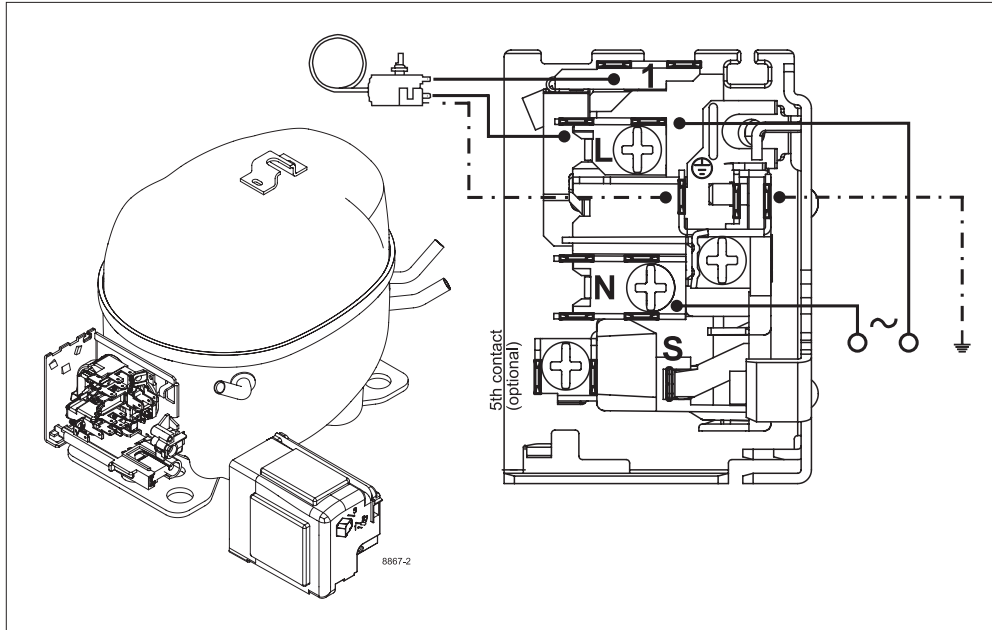


Service/Repair – R600a



K-Series Compressors

GTK, HKK, HMK, HTK, HXK, HZK



Service/Repair – R600a

Secop accepts no responsibility for possible errors in catalogs, brochures, and other printed material. Secop reserves the right to alter its products without notice. This also applies to products already on order provided that such alterations can be made without subsequential changes being necessary to specifications already agreed. All trademarks in this material are the property of the respective companies. Secop and the Secop logotype are trademarks of Secop GmbH. All rights reserved. www.secop.com