

Single Pack HXK95AT 200-240V 50Hz / 208-230V 60Hz RSIR

Codice Imballo Singolo: **195B4619**

Posizione	Titolo	Codice	Quantità
1	Compressor HXK95AT	16409200	1
2	Clip	10633900	4
3	Steel pin	10634100	4
4	Washer	10634300	4
5	Screw for cable clamp	10636000	1
6	Screw for cable clamp	10636200	1
7	Cover	10636401	1
8	Earth screw	10641201	1
9	Rubber grommet 16mm	11322600	4
10	Cable clamp	11341000	1
11	Terminal board 6.3mm	16403600	1

Secop GmbH • Lise-Meitner-Straße 29 • 24941 Flensburg, Germany • Tel: +49 46149410 • www.secop.com

Secop non si assume alcuna responsabilità per eventuali errori presenti in cataloghi, brochure e altro materiale stampato. Secop si riserva il diritto di modificare i propri prodotti senza preavviso. Ciò vale anche per i prodotti già ordinati, a condizione che tali modifiche possano essere apportate senza che siano necessarie modifiche successive alle specifiche già concordate. Tutti i marchi presenti in questo materiale sono di proprietà delle rispettive aziende. Secop e il logo Secop sono marchi di Secop GmbH. Tutti i diritti sono riservati.

Model

Designation	HXK95AT	200-240V/50Hz 1~ 208-230V/60Hz 1~	Sales code:	16409200
-------------	----------------	-----------------------------------	-------------	-----------------

Compressor design

Oil type	Mineral	Refrigerant(s)	R600a
Oil viscosity	5cST	Displacement	9,6cm ³ / 0,59cu.in
Oil quantity	162cm ³ / 5,5fl.oz	Compressors on pallet	100
Refr. charge - tech. limit	150g / 5,3oz		
Free gas volume comp.	1560cm ³ / 52,7fl.oz		
Weight	8,6kg / 19lbs		
Motor protection	external		
Winding resistance main	15,5Ω (at 25°C)		
Winding resistance aux	9,9Ω (at 25°C)		
Max. winding temp.	130°C / 266°F		
Max. discharge temp.	130°C / 266°F		



General - Configurations with HXK95AT

	Conf. 1	Conf. 2	Conf. 3	Conf. 4
Motorconfiguration	RSCR	RSIR	RSCR	RSCR
Power supply (nominal)	200-240V/50Hz	200-240V/50Hz	220-240V/50Hz	208-230V/60Hz
Number of phases	1	1	1	1
Voltage range	170-264V	170-264V	170-264V	198-253V
Approvals	VDE	VDE	VDE	VDE
Starting torque	LST	LST	LST	LST
Note	Various options of connectors are possible - please contact SECOP-Sales.			

Applications with HXK95AT

	Conf. 1	Conf. 2	Conf. 3	Conf. 4
Refrigerant	R600a	R600a	R600a	R600a
Application	LBP	LBP	LBP	LBP
System cooling	static	static	static	static
Hot gas defrost	-/-	-/-	-/-	-/-
Long interval pull down	-/-	-/-	-/-	-/-

Electrical data - Configurations with HXK95AT

	Conf. 1	Conf. 2	Conf. 3	Conf. 4
Starting device type	PTC	PTC	PTC	PTC
Run capacitor	4μF	-/-	4μF	4μF
Start capacitor	-/-	-/-	-/-	-/-
LRA (locked rotor amps / 4s/ U(N))				
RLA (rated load amps / 1s/ U(N))	-/-A	-/-A		-/-A
Cut in current (U(N))				

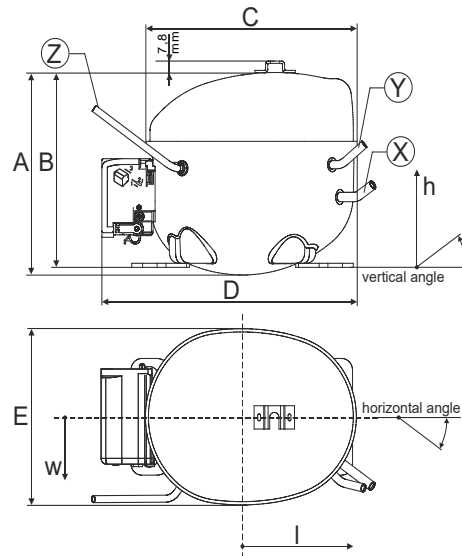
Model

Designation **HXK95AT** 200-240V/50Hz 1~ 208-230V/60Hz 1~ Sales code: **16409200**

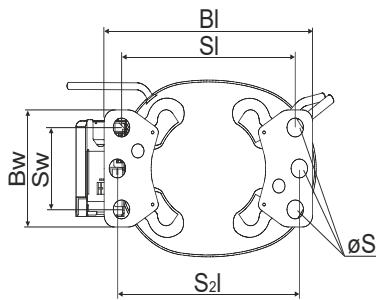
Compressor dimensions

Housing	A Height	174mm / 6,85in
	B Height	167mm / 6,57in
	C Length shell	194mm / 7,64in
	D Length w. cover	238mm / 9,37in
	E Width	151mm / 5,94in

Connectors		Suction	Discharge	Process
		X	Y	Z
Diameter	[mm]	øi 6,1-6,2	øi 5,1-5,2	øo 5,92-6,08
	(i:inside, o:outside) [in]	øi 0,24-0,24	øi 0,2-0,2	øo 0,23-0,24
Material		copper	copper	copper
Horizontal angle	±2°	45°	13°	0°
Vertical angle	±2°	30°	40°	145°
Position l/h/w	[mm]	120/72/62	112/106/62	-140/136/70
	[in]	4,7/2,8/2,4	4,4/4,2/2,4	-5,5/5,4/2,8
Straight tube l.	[mm]	14	14	75
	[in]	0,5	0,5	3

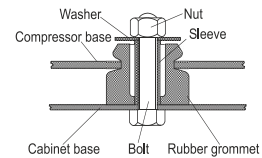


Compressor fixation

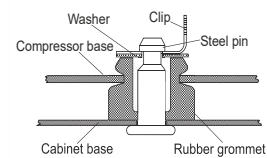


Baseplate	[mm]	[inch]
BI	204	8.03
BW	100	3.94
Small holes		
	[mm]	[inch]
SI	170	6.7
SW	70	2.76
S2l	178	7
øS	ø 16	ø 0.63

Bolt joint



Snap-on



Mounting accessories

	order code
'4ZN' with rubber grommet	772N
'4ZN' with rubber grommet and sleeve for M6	768N
Bolt joint kit	4ZN + 118-1917 (18)
'4ZN' with Snap on kit	776N

Application notes

Provision for PE Grounding is located at the PE Stamp on the compressor Housing with dip-tray fixture (omega bracket).
 Various options of connectors are possible - please contact SECOP-Sales.

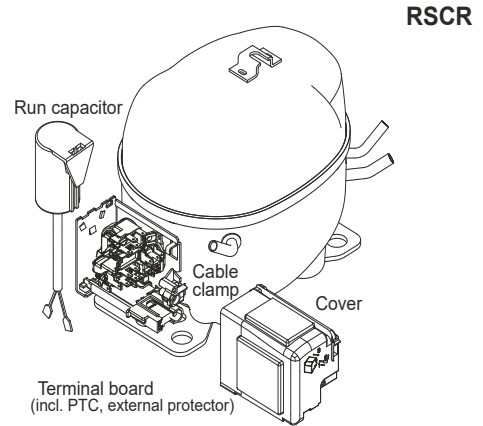
Model

Designation	HXK95AT	200-240V/50Hz	Conf. 1	Sales code:	16409200
-------------	----------------	----------------------	---------	-------------	-----------------

Configuration

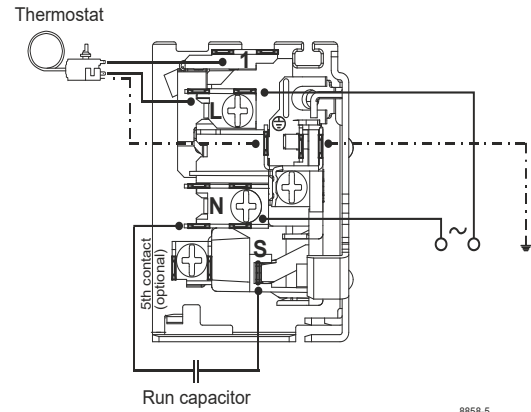
Motorconfiguration	RSCR
Power supply (nominal)	200-240V/50Hz 1~
Refrigerant	R600a
Application	LBP
Voltage range	170-264V
Starting torque	LST
Approvals	VDE

Electrical accessories / wiring diagram

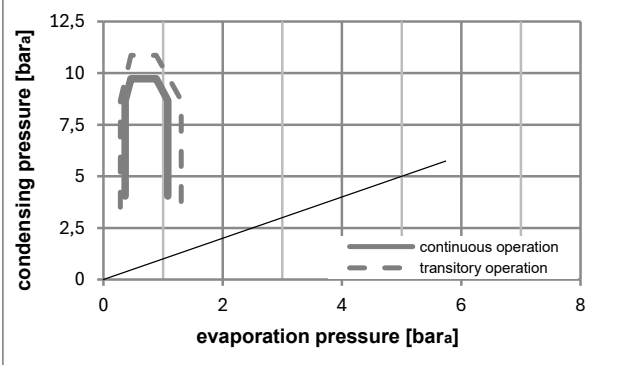
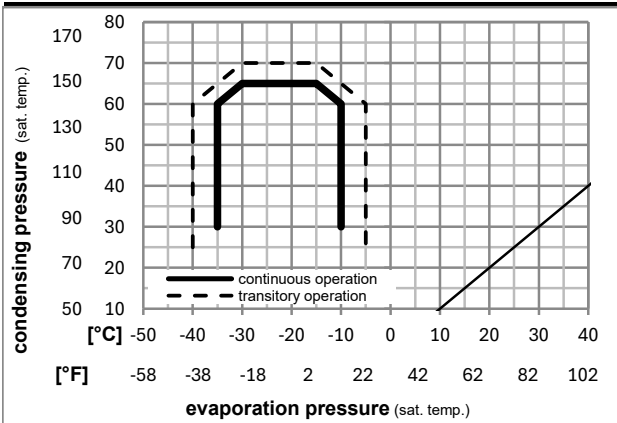


Ambient/ machine room temperatures minimum /maximum

Ambient temperature range:	10 - 43°C / 50 - 110°F
Machine room temperature range:	10 - 48°C / 50 - 119°F
Compressor cooling:	static



Operation pressure range



Components

. terminal board (PTC, 4.8mm)	16403800
. run capacitor (4μF, 4.8mm)	11261700
b cover terminal board	10636401
. cable clamp	11341000
. screw - uni6954	10636000
. screw - uni6954	10636200

Alternative components

. screw uni en iso 4757	10641201
-------------------------	----------

Model

Designation	HXK95AT	200-240V/50Hz	Conf. 1	Sales code:	16409200
-------------	----------------	----------------------	---------	-------------	-----------------

Optimization + standard conditions

R600a, 200V/50Hz, RSCR, static, VDE

		Evaporating pressure (saturation temperature)				Condensing pressure (saturation temperature)			Return gas temp.		Liquid temp.		Cooling capacity			COP	EER	Power consumption		Current consumption		Ref. mass flow	
		pe	pc	RGT	Tliq	[W]	[Btu/h]	[kcal/h]	[W/W]	[Btu/Wh]	[kcal/Wh]	[W]	[A]	[kg/h]			P1	I	m				
[°C]	[°F]	[°C]	[°F]	[°C]	[°F]																		
-23	54	32	32	173,4	592	149,2	1,75	5,97	1,50	99,2	0,56	1,86	ASHRAE LBP										
-10	130	90	90																				
-25	55	32	55	130,1	444	112,0	1,38	4,70	1,18	94,6	0,54	1,70	cecomaf LBP										
-13	131	90	131																				
-35	40	20	40	93,8	320	80,8	1,45	4,95	1,25	64,7	0,43	1,14	EN12900 LBP										
-31	104	68	104																				
-23	49	4,4	49	139,8	477	120,3	1,45	4,94	1,25	96,6	0,55	2,04	ARI540 LBP										
-10	120	40	120																				
-23	41	32	32	179,1	612	154,1	1,95	6,67	1,68	91,7	0,53	1,92	AHAM LBP										
-10	105	90	90																				
-35	45	32	45	89,2	305	76,7	1,42	4,85	1,22	62,8	0,42	1,06	opt										
-31	113	90	113																				

Performance tables

R600a, 200V/50Hz, RSCR, static, VDE

	pe		Cooling capacity			COP	EER	P1	I	m	
	[°C]	[°F]	[W]	[Btu/h]	[kcal/h]	[W/W]	[Btu/Wh]	[kcal/Wh]	[W]	[A]	[kg/h]
[°C / °F]	-35	-31	89,2	305	76,7	1,42	4,85	1,22	62,8	0,42	1,06
cond. pressure	-30	-22	116,6	398	100,4	1,48	5,05	1,27	78,9	0,48	1,39
pc= 45/113	-25	-13	148,6	507	127,9	1,64	5,59	1,41	90,9	0,53	1,77
return gas temp.	-23	-10	160,8	549	138,4	1,70	5,82	1,47	94,3	0,54	1,92
RGT= 32/90	-20	-4	187,0	639	161,0	1,86	6,35	1,60	100,6	0,56	2,23
liquid temp	-15	5	233,9	799	201,3	2,13	7,27	1,83	109,8	0,60	2,79
Tliq= 45/113	-10	14	291,1	994	250,5	2,42	8,26	2,08	120,3	0,64	3,48
[°C / °F]	-35	-31	60,4	206	52,0	1,10	3,75	0,94	55,1	0,39	0,79
cond. pressure	-30	-22	95,2	325	81,9	1,23	4,19	1,06	77,6	0,47	1,24
pc= 55/131	-25	-13	130,1	444	112,0	1,38	4,70	1,18	94,6	0,54	1,70
return gas temp	-23	-10	142,4	486	122,6	1,43	4,89	1,23	99,5	0,56	1,86
RGT= 32/90	-20	-4	167,3	571	144,0	1,55	5,29	1,33	108,1	0,59	2,19
liquid temp	-15	5	208,5	712	179,5	1,74	5,95	1,50	119,6	0,64	2,73
Tliq= 55/131	-10	14	255,8	874	220,2	1,95	6,67	1,68	131,0	0,69	3,36

Model

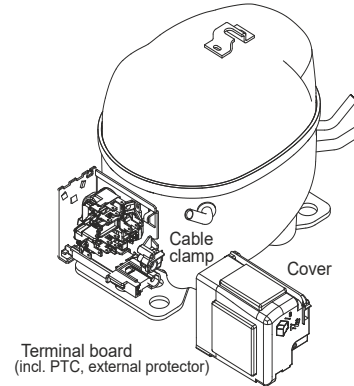
Designation	HXK95AT	200-240V/50Hz	Conf. 2	Sales code:	16409200
-------------	----------------	----------------------	----------------	-------------	-----------------

Configuration

Motorconfiguration	RSIR
Power supply (nominal)	200-240V/50Hz 1~
Refrigerant	R600a
Application	LBP
Voltage range	170-264V
Starting torque	LST
Approvals	VDE

Electrical accessories / wiring diagram

RSIR

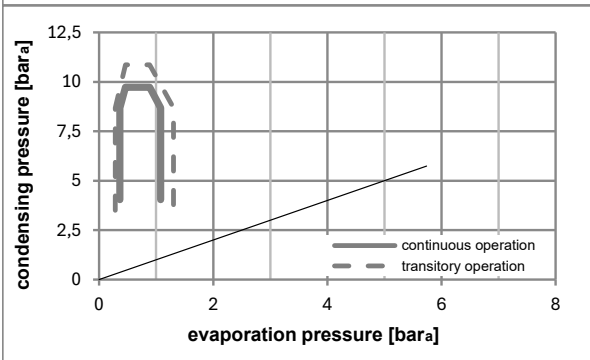
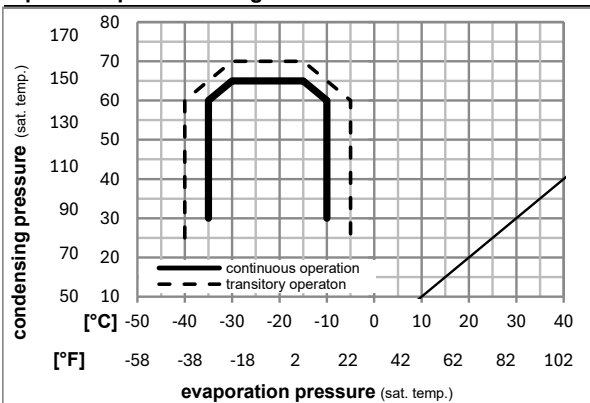


Ambient/ machine room temperatures minimum /maximum

Ambient temperature range:	10 - 43°C / 50 - 110°F
Machine room temperature range:	10 - 48°C / 50 - 119°F
Compressor cooling:	static



Operation pressure range



Components

. terminal board (PTC, 4.8mm)	16403800
b cover terminal board	10636401
. cable clamp	11341000
. screw - uni6954	10636000
. screw - uni6954	10636200
. screw uni en iso 4757	10641201

Alternative components

. terminal board (PTC, 6.3mm)	16403600
-------------------------------	----------

Model

Designation	HXK95AT	200-240V/50Hz	Conf. 2	Sales code:	16409200
-------------	----------------	----------------------	----------------	-------------	-----------------

Optimization + standard conditions

R600a, 200V/50Hz, RSIR, static, VDE

		Evaporating pressure (saturation temperature)				Cooling capacity			COP			EER			Power consumption			ASHRAE LBP
		Condensing pressure (saturation temperature)				Return gas temp.			Liqud temp.			Current consumption			Ref. mass flow			
		pe	pc	RGT	Tliq	[W]	[Btu/h]	[kcal/h]	[W/W]	[Btu/Wh]	[kcal/Wh]	P1	I	m				
[°C]	[°F]	[°C]	[°F]	[°C]	[°C]							[W]	[A]	[kg/h]				
-23	54	32	32		173,4	592	149,2	1,67	5,69	1,44	104,0	0,58	1,86					
-10	130	90	90															
-25	55	32	55		130,1	444	112,0	1,31	4,48	1,13	99,2	0,57	1,70	cecomaf LBP				
-13	131	90	131															
-35	40	20	40		93,8	320	80,8	1,38	4,73	1,19	67,8	0,45	1,14	EN12900 LBP				
-31	104	68	104															
-23	49	4,4	49		139,8	477	120,3	1,38	4,72	1,19	101,2	0,57	2,04	ARI540 LBP				
-10	120	40	120															
-23	41	32	32		179,1	612	154,1	1,86	6,37	1,60	96,1	0,55	1,92	AHAM LBP				
-10	105	90	90															
-35	45	32	45		89,2	305	76,7	1,35	4,62	1,17	65,9	0,44	1,06	opt				
-31	113	90	113															

Performance tables

R600a, 200V/50Hz, RSIR, static, VDE

	pe		Cooling capacity			COP	EER		P1	I	m
	[°C]	[°F]	[W]	[Btu/h]	[kcal/h]	[W/W]	[Btu/Wh]	[kcal/Wh]	[W]	[A]	[kg/h]
[°C / °F]	-35	-31	89,2	305	76,7	1,35	4,62	1,17	65,9	0,44	1,06
cond. pressure	-30	-22	116,6	398	100,4	1,41	4,82	1,21	82,6	0,50	1,39
pc= 45/113	-25	-13	148,6	507	127,9	1,56	5,33	1,34	95,2	0,55	1,77
return gas temp.	-23	-10	160,8	549	138,4	1,63	5,56	1,40	98,9	0,57	1,92
RGT= 32/90	-20	-4	187,0	639	161,0	1,77	6,06	1,53	105,4	0,59	2,23
liquid temp	-15	5	233,9	799	201,3	2,03	6,94	1,75	115,1	0,63	2,79
Tliq= 45/113	-10	14	291,1	994	250,5	2,31	7,88	1,99	126,1	0,67	3,48
[°C / °F]	-35	-31	60,4	206	52,0	1,05	3,57	0,90	57,7	0,41	0,79
cond. pressure	-30	-22	95,2	325	81,9	1,17	4,00	1,01	81,3	0,50	1,24
pc= 55/131	-25	-13	130,1	444	112,0	1,31	4,48	1,13	99,2	0,57	1,70
return gas temp	-23	-10	142,4	486	122,6	1,37	4,66	1,18	104,3	0,59	1,86
RGT= 32/90	-20	-4	167,3	571	144,0	1,48	5,04	1,27	113,3	0,62	2,19
liquid temp	-15	5	208,5	712	179,5	1,66	5,68	1,43	125,4	0,67	2,73
Tliq= 55/131	-10	14	255,8	874	220,2	1,86	6,36	1,60	137,3	0,72	3,36

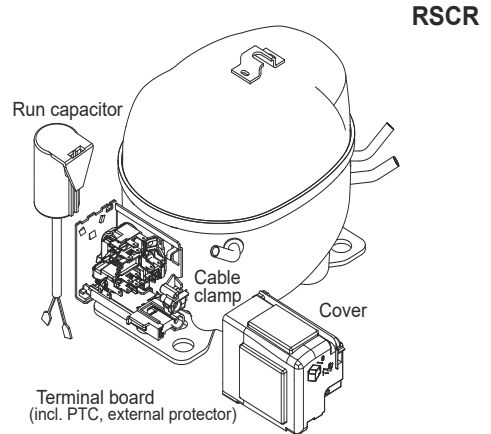
Model

Designation	HXK95AT	220-240V/50Hz	Conf. 3	Sales code:	16409200
-------------	----------------	----------------------	----------------	-------------	-----------------

Configuration

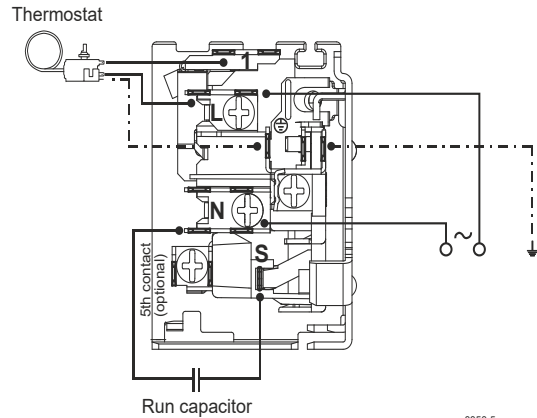
Motorconfiguration	RSCR
Power supply (nominal)	220-240V/50Hz 1~
Refrigerant	R600a
Application	LBP
Voltage range	170-264V
Starting torque	LST
Approvals	VDE

Electrical accessories / wiring diagram

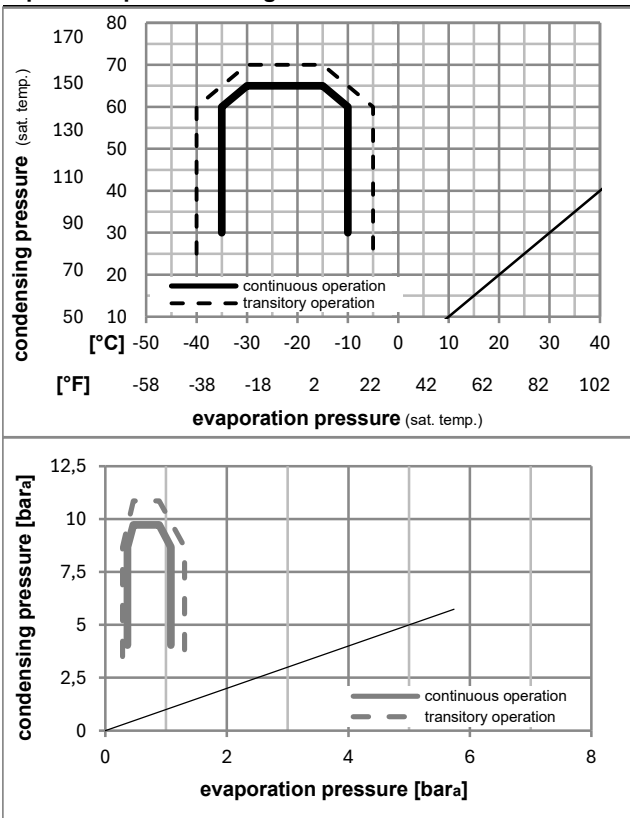


Ambient/ machine room temperatures minimum /maximum

Ambient temperature range:	10 - 43°C / 50 - 110°F
Machine room temperature range:	10 - 48°C / 50 - 119°F
Compressor cooling:	static



Operation pressure range



Components

. terminal board (PTC, 4.8mm)	16403800
. run capacitor (4μF, 4.8mm)	11261700
b cover terminal board	10636401
. cable clamp	11341000
. screw - uni6954	10636000
. screw - uni6954	10636200

Alternative components

. screw uni en iso 4757	10641201
-------------------------	----------

Model

Designation **HXK95AT** **220-240V/50Hz** Conf. 3 Sales code: **16409200**

Optimization + standard conditions

R600a, 230V/50Hz, RSCR, static, VDE

	Evaporating pressure (saturation temperature)				Condensing pressure (saturation temperature)			COP	EER	P1	Power consumption		Ref. mass flow	
	pe	pc	RGT	Tliq	[W]	[Btu/h]	[kcal/h]				[W/W]	[Btu/Wh]		
[°C]	-23	54	32	32	173,4	592	149,2	1,68	5,73	1,44	103,4	0,58	1,86	ASHRAE LBP
[°F]	-10	130	90	90										
[°C]	-25	55	32	55	130,1	444	112,0	1,32	4,51	1,14	98,6	0,56	1,70	cecomaf LBP
[°F]	-13	131	90	131										
[°C]	-35	40	20	40	93,8	320	80,8	1,39	4,75	1,20	67,4	0,45	1,14	EN12900 LBP
[°F]	-31	104	68	104										
[°C]	-23	49	4,4	49	139,8	477	120,3	1,39	4,74	1,20	100,6	0,57	2,04	ARI540 LBP
[°F]	-10	120	40	120										
[°C]	-23	41	32	32	179,1	612	154,1	1,87	6,40	1,61	95,5	0,55	1,92	AHAM LBP
[°F]	-10	105	90	90										
[°C]	-35	45	32	45	89,2	305	76,7	1,36	4,65	1,17	65,5	0,44	1,06	opt
[°F]	-31	113	90	113										

Performance tables

R600a, 230V/50Hz, RSCR, static, VDE

	pe		Cooling capacity			COP	EER		P1	I	m
	[°C]	[°F]	[W]	[Btu/h]	[kcal/h]		[W/W]	[Btu/Wh]			
[°C / °F]	-35	-31	89,2	305	76,7	1,36	4,65	1,17	65,5	0,44	1,06
cond. pressure	-30	-22	116,6	398	100,4	1,42	4,85	1,22	82,2	0,50	1,39
pc= 45/113	-25	-13	148,6	507	127,9	1,57	5,36	1,35	94,7	0,55	1,77
return gas temp.	-23	-10	160,8	549	138,4	1,64	5,59	1,41	98,3	0,56	1,92
RGT= 32/90	-20	-4	187,0	639	161,0	1,78	6,09	1,54	104,8	0,59	2,23
liquid temp	-15	5	233,9	799	201,3	2,04	6,98	1,76	114,4	0,63	2,79
Tliq= 45/113	-10	14	291,1	994	250,5	2,32	7,93	2,00	125,4	0,67	3,48
[°C / °F]	-35	-31	60,4	206	52,0	1,05	3,60	0,91	57,4	0,41	0,79
cond. pressure	-30	-22	95,2	325	81,9	1,18	4,02	1,01	80,8	0,49	1,24
pc= 55/131	-25	-13	130,1	444	112,0	1,32	4,51	1,14	98,6	0,56	1,70
return gas temp	-23	-10	142,4	486	122,6	1,37	4,69	1,18	103,7	0,58	1,86
RGT= 32/90	-20	-4	167,3	571	144,0	1,49	5,07	1,28	112,6	0,62	2,19
liquid temp	-15	5	208,5	712	179,5	1,67	5,71	1,44	124,6	0,67	2,73
Tliq= 55/131	-10	14	255,8	874	220,2	1,87	6,40	1,61	136,5	0,72	3,36

Model

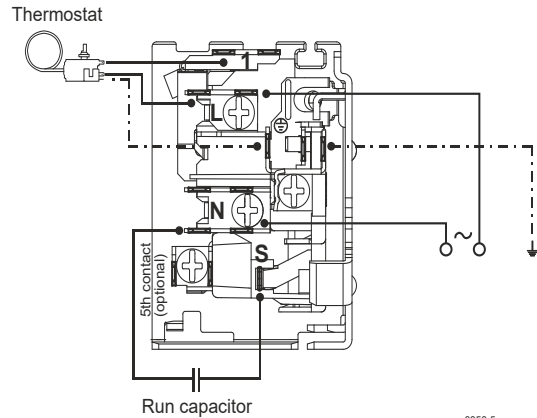
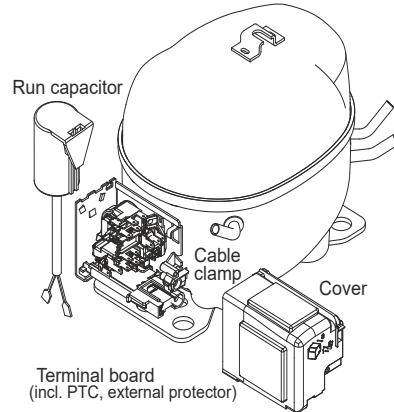
Designation	HXK95AT	208-230V/60Hz	Conf. 4	Sales code:	16409200
-------------	----------------	----------------------	----------------	-------------	-----------------

Configuration

Motorconfiguration	RSCR
Power supply (nominal)	208-230V/60Hz 1~
Refrigerant	R600a
Application	LBP
Voltage range	198-253V
Starting torque	LST
Approvals	VDE

Electrical accessories / wiring diagram

RSCR

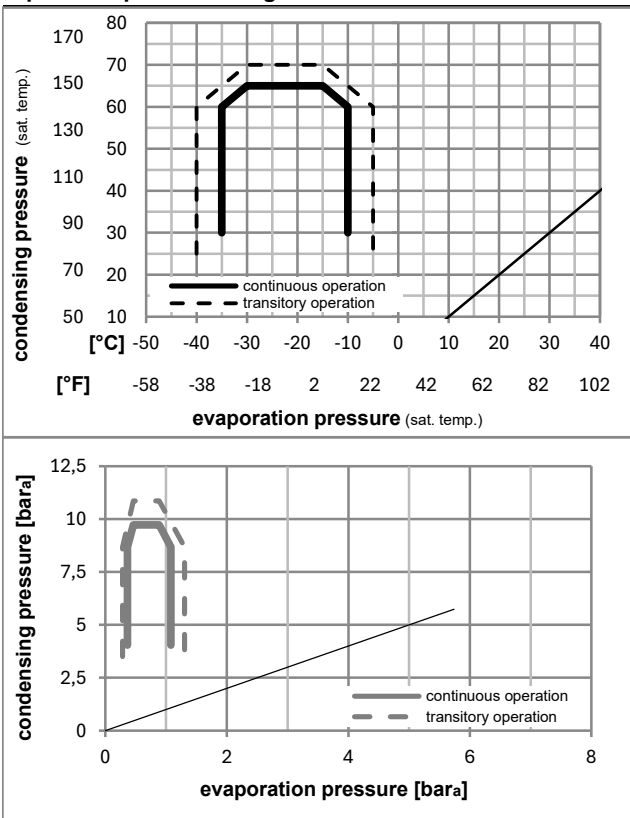


8858-5

Ambient/ machine room temperatures minimum /maximum

Ambient temperature range:	10 - 43°C / 50 - 110°F
Machine room temperature range:	10 - 48°C / 50 - 119°F
Compressor cooling:	static

Operation pressure range



Components

. terminal board (PTC, 4.8mm)	16403800
. run capacitor (4μF, 4.8mm)	11261700
b cover terminal board	10636401
. cable clamp	11341000
. screw - uni6954	10636000
. screw - uni6954	10636200

Alternative components

. screw uni en iso 4757	10641201
-------------------------	----------

Model

Designation	HXK95AT	208-230V/60Hz	Conf. 4	Sales code:	16409200
-------------	----------------	----------------------	----------------	-------------	-----------------

Optimization + standard conditions

R600a, 220V/60Hz, RSCR, static, VDE

	Evaporating pressure (saturation temperature)				Cooling capacity			COP	EER	Power consumption			ASHRAE LBP	
	pe	pc	RGT	Tliq	[W]	[Btu/h]	[kcal/h]			P1	I	ṁ		
[°C]	-23	54	32	32	200,6	685	172,7	1,77	6,04	1,52	113,5	0,59	2,15	
[°F]	-10	130	90	90										
[°C]	-25	55	32	55	151,3	517	130,3	1,39	4,73	1,19	109,2	0,56	1,97	cecomaf LBP
[°F]	-13	131	90	131										
[°C]	-35	40	20	40	115,8	396	99,7	1,36	4,66	1,17	84,9	0,40	1,41	EN12900 LBP
[°F]	-31	104	68	104										
[°C]	-23	49	4,4	49	161,0	550	138,5	1,46	4,98	1,26	110,4	0,58	2,35	ARI540 LBP
[°F]	-10	120	40	120										
[°C]	-23	41	32	32	206,5	705	177,7	1,97	6,73	1,69	104,9	0,56	2,22	AHAM LBP
[°F]	-10	105	90	90										
[°C]	-35	45	32	45	113,7	388	97,9	1,31	4,49	1,13	86,5	0,38	1,35	opt
[°F]	-31	113	90	113										

Performance tables

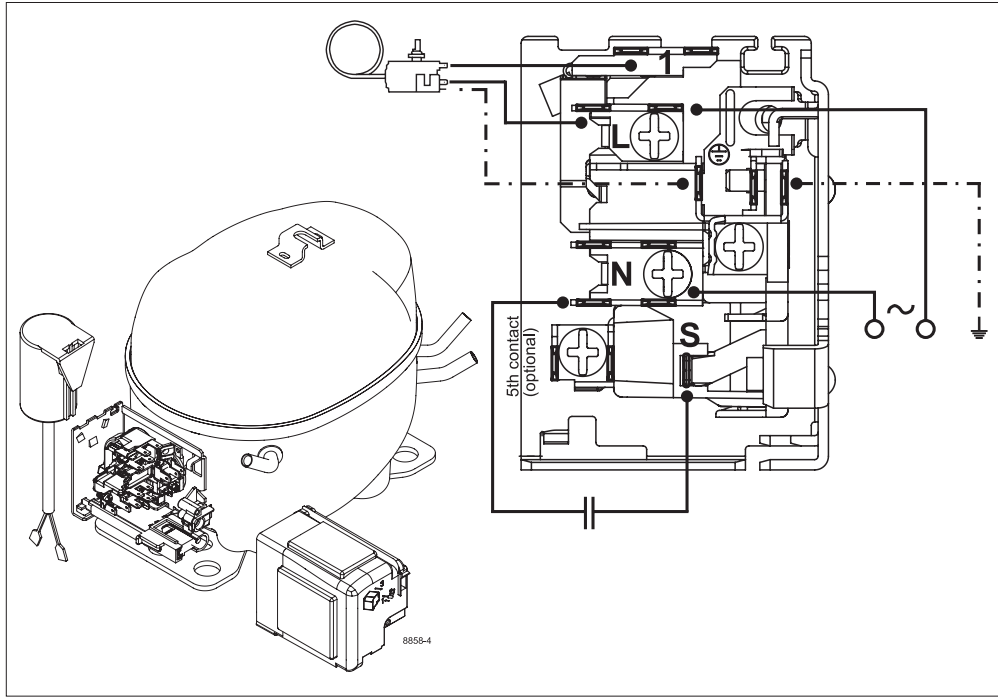
R600a, 220V/60Hz, RSCR, static, VDE

	pe		Cooling capacity			COP	EER		P1	I	m
	[°C]	[°F]	[W]	[Btu/h]	[kcal/h]		[W/W]	[Btu/Wh]			
[°C / °F]	-35	-31	113,7	388	97,9	1,31	4,49	1,13	86,5	0,38	1,35
cond. pressure	-30	-22	135,6	463	116,7	1,44	4,92	1,24	94,1	0,47	1,61
pc= 45/113	-25	-13	170,3	582	146,6	1,64	5,59	1,41	104,1	0,55	2,03
return gas temp.	-23	-10	184,9	632	159,1	1,71	5,85	1,47	107,9	0,57	2,20
RGT= 32/90	-20	-4	217,0	741	186,7	1,87	6,40	1,61	115,8	0,60	2,59
liquid temp	-15	5	274,5	938	236,3	2,13	7,29	1,84	128,6	0,65	3,28
Tliq= 45/113	-10	14	342,1	1168	294,4	2,41	8,23	2,07	142,0	0,71	4,10
[°C / °F]	-35	-31	95,3	326	82,0	1,10	3,76	0,95	86,6	0,32	1,24
cond. pressure	-30	-22	118,1	403	101,7	1,22	4,17	1,05	96,8	0,46	1,54
pc= 55/131	-25	-13	151,3	517	130,3	1,39	4,73	1,19	109,2	0,56	1,97
return gas temp	-23	-10	164,8	563	141,9	1,45	4,94	1,25	113,8	0,59	2,15
RGT= 32/90	-20	-4	194,0	663	167,0	1,57	5,38	1,36	123,2	0,64	2,54
liquid temp	-15	5	245,2	837	211,0	1,77	6,06	1,53	138,2	0,70	3,21
Tliq= 55/131	-10	14	303,9	1038	261,6	1,98	6,76	1,70	153,4	0,77	3,99



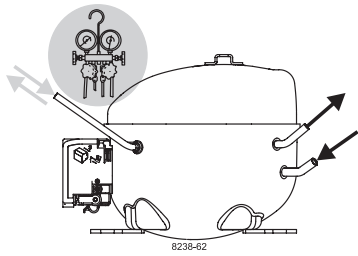
K-Series Compressors

GTK, HKK, HMK, HTK, HXK, HZK



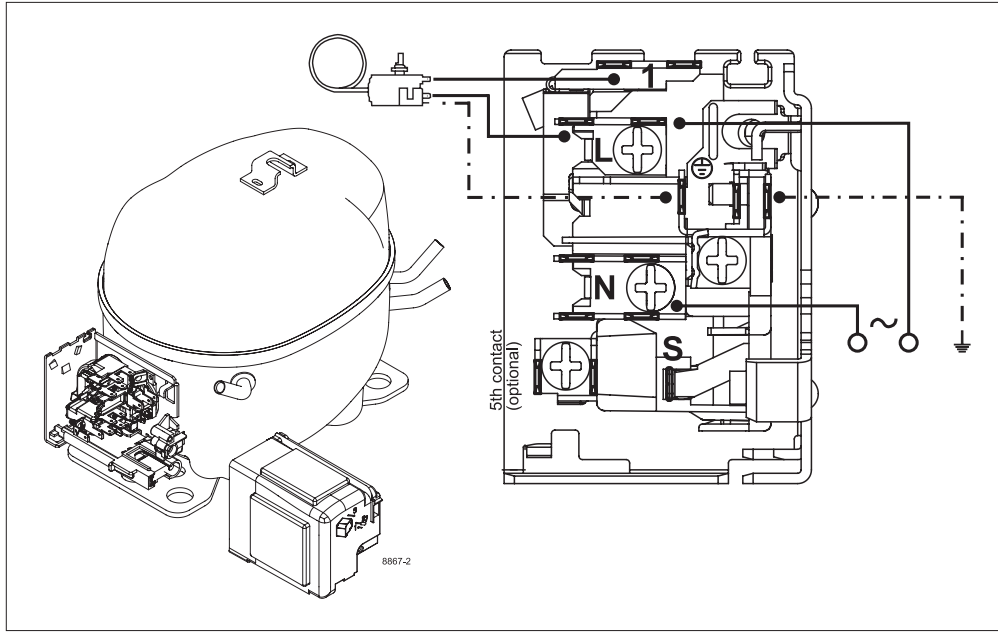
Service/Repair – R600a

R600a



K-Series Compressors

GTK, HKK, HMK, HTK, HXK, HZK



Service/Repair – R600a

Secop accepts no responsibility for possible errors in catalogs, brochures, and other printed material. Secop reserves the right to alter its products without notice. This also applies to products already on order provided that such alterations can be made without subsequential changes being necessary to specifications already agreed. All trademarks in this material are the property of the respective companies. Secop and the Secop logotype are trademarks of Secop GmbH. All rights reserved. www.secop.com