

Singolo Imballi



Single Pack GS26MLX 220-240V 50Hz CSCR

Codice Imballo Singolo: **195B4628**

Posizione	Titolo	Codice	Quantità
1	Compressor GS26MLX	107B0503	1
2	GS starting device (600mm)	117-7072	1
3	Bolt joint for one compressor M8 \varnothing 19mm	107B9150	1

Secop GmbH • Lise-Meitner-Straße 29 • 24941 Flensburg, Germany • Tel: +49 46149410 • www.secop.com

Secop non si assume alcuna responsabilità per eventuali errori presenti in cataloghi, brochure e altro materiale stampato. Secop si riserva il diritto di modificare i propri prodotti senza preavviso. Ciò vale anche per i prodotti già ordinati, a condizione che tali modifiche possano essere apportate senza che siano necessarie modifiche successive alle specifiche già concordate. Tutti i marchi presenti in questo materiale sono di proprietà delle rispettive aziende. Secop e il logo Secop sono marchi di Secop GmbH. Tutti i diritti sono riservati.

Model

Designation	GS26MLX	220-240V/50Hz 1~	Sales code:	107B0503
-------------	----------------	------------------	-------------	-----------------

Compressor design

Oil type	Polyolester	Refrigerant(s)	R404A, R507, R452A
Oil viscosity	32,5cSt	Displacement	26,3cm ³ / 1,6cu.in
Oil quantity	902cm ³ / 30,5fl.oz	Compressors on pallet	48
Refr. charge - tech. limit	2000g / 70,5oz		
Free gas volume comp.	3670cm ³ / 124,1fl.oz		
Weight	21,4kg / 47,2lbs		
Motor protection	1# internal		
Winding resistance main	1,8Ω (at 25°C)		
Winding resistance aux	8,1Ω (at 25°C)		
Max. winding temp.			
Max. discharge temp.	120°C / 248°F		



General - Configurations with GS26MLX

	Conf. 1	Conf. 2	Conf. 3	Conf. 4
Motorconfiguration	CSCR	CSCR	CSCR	CSCR
Power supply (nominal)	220-240V/50Hz	220-240V/50Hz	220-240V/50Hz	220-240V/50Hz
Number of phases	1	1	1	1
Voltage range	198-254V	198-254V	198-254V	198-254V
Approvals	VDE, CCC, EAC	VDE, CCC, EAC		
Starting torque	HST	HST	HST	HST
Note	Cover, clamp, gasket: pre-assembled to compressor.			

Applications with GS26MLX

	Conf. 1	Conf. 2	Conf. 3	Conf. 4
Refrigerant	R404A	R452A	R448A	R449A
Application	MBP	MBP	MBP	MBP
System cooling	fan 3m/s	fan 3m/s	fan 3m/s	fan 3m/s
Hot gas defrost	OK	OK	OK	OK
Long interval pull down	OK	OK	OK	OK

Electrical data - Configurations with GS26MLX

	Conf. 1	Conf. 2	Conf. 3	Conf. 4
Starting device type	relay	relay	relay	relay
Run capacitor	15μF	15μF	15μF	15μF
Start capacitor	80μF	80μF	80μF	80μF
LRA (locked rotor amps / 4s/ U(N))	35A	35A	35A	35A
RLA (rated load amps / 1s/ U(N))	6,4A	6,4A	6,4A	6,4A
Cut in current (U(N))	35A	35A	35A	35A

Model

Designation

GS26MLX

220-240V/50Hz 1~

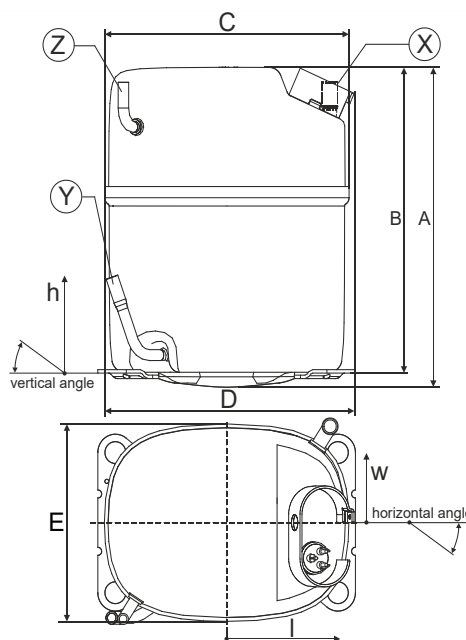
Sales code:

107B0503

Compressor dimensions

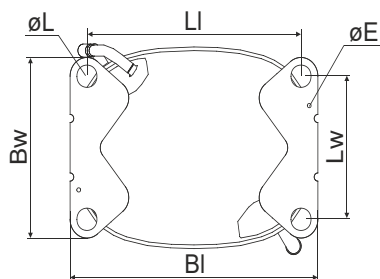
Housing	A Height	279mm / 10,98in
	B Height	267mm / 10,51in
	C Length shell	224mm / 8,82in
	D Length w. cover	232mm / 9,13in
	E Width	173mm / 6,81in

Connectors		Suction	Discharge	Process
		X	Y	Z
Diameter	[mm]	øi 16,03-16,13	øi 9,63-9,73	øi 6,4-6,6
	(i:inside, o:outside) [in]	øi 0,63-0,64	øi 0,38-0,38	øi 0,25-0,26
Material		copper	copper	copper
Horizontal angle	±2°	0°	0°	0°
Vertical angle	±2°	90°	71°	90°
Position l/h/w	[mm]	-95/234/-84	-105/84/-84	95/234/84
	[in]	-3,7/9,2/-3,3	-4,1/3,3/-3,3	3,7/9,2/3,3
Straight tube l.	[mm]	18	23	15
	[in]	0,7	0,9	0,6

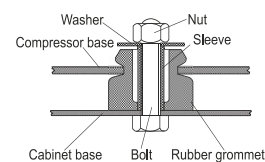


Compressor fixation

Bolt joint



Baseplate	[mm]	[inch]
BI	235	9.25
Bw	154	6.06
øE	ø 3.6	ø 0.14
Large holes	[mm]	[inch]
LI	203	7.99
Lw	122	4.80
øL	ø 19	ø 0.75



Mounting accessories

Bolt joint | M8 | ø19mm

one comp.

107B9150

Application notes

Provision for PE Grounding is located at the PE Stamp on the compressor

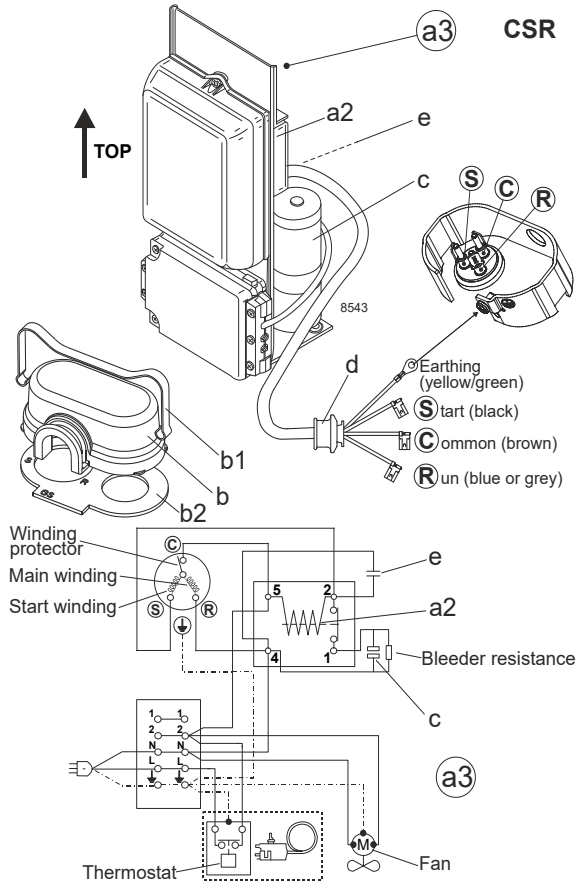
Model

Designation	GS26MLX	220-240V/50Hz	Conf. 1	Sales code:	107B0503
-------------	----------------	----------------------	----------------	-------------	-----------------

Configuration

Motorconfiguration	CSCR
Power supply (nominal)	220-240V/50Hz 1~
Refrigerant	R404A
Application	MBP
Voltage range	198-254V
Starting torque	HST
Approvals	VDE
	CCC
	EAC

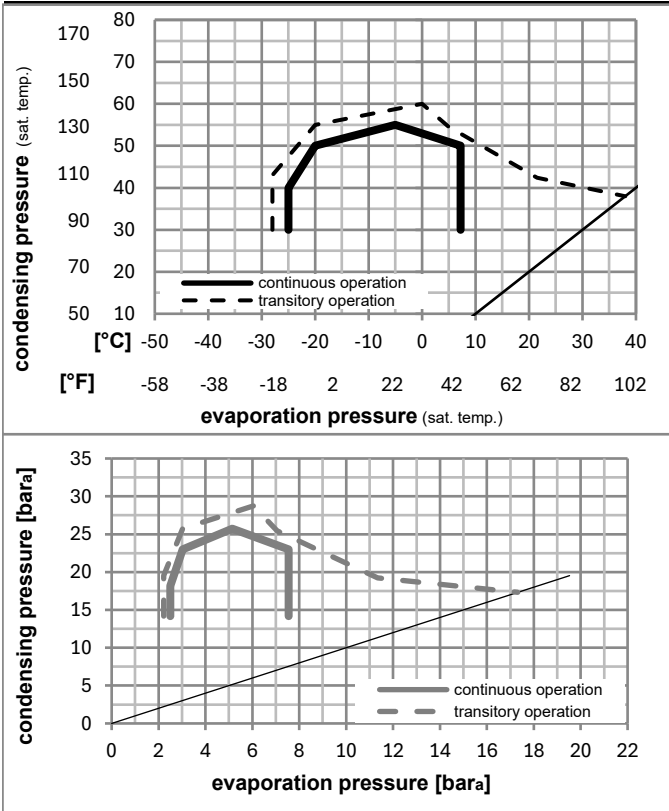
Electrical accessories / wiring diagram



Ambient/ machine room temperatures minimum /maximum

Ambient temperature range:	10 - 38°C / 50 - 101°F
Machine room temperature range:	10 - 43°C / 50 - 110°F
Compressor cooling:	fan 3m/s

Operation pressure range



Components (cover, clamp, gasket: incl. and pre assembl.)

a3	GS starter kit (600mm)	117-7072
b	cover	107B9101
b2	gasket	107B9100
b1	clamp	107B9104

Model

Designation **GS26MLX** **220-240V/50Hz** Conf. 1 Sales code: **107B0503**

Optimization + standard conditions

R404A, 220V/50Hz, CSCR, fan 3m/s, VDE, CCC, EAC

		Evaporating pressure (saturation temperature)				Condensing pressure (saturation temperature)			Return gas temp.		Liquid temp.		Cooling capacity			COP	EER	Power consumption		
		pe	pc	RGT	Tliq	[W]	[Btu/h]	[kcal/h]	[W/W]	[Btu/Wh]	[kcal/Wh]	P1	I	Current consumption		Ref. mass flow				
[°C]	[°F]											[W]	[A]	[kg/h]						
-7	20	54	130	35	95	46	115	2395,2	8180	2061,3	1,72	5,87	1,48	1393,3	6,82	65,90	ASHRAE MBP			
-10	14	55	131	32	90	55	131	1779,3	6077	1531,3	1,36	4,63	1,17	1312,4	6,45	56,96	cecomaf MBP			
-10	14	45	113	20	68	45	113	2123,6	7252	1827,6	1,75	5,98	1,51	1213,2	6,05	63,97	EN12900 MBP			
-7	20	49	120	18	65	49	120	2203,3	7525	1896,2	1,66	5,67	1,43	1327,3	6,57	72,00	ARI540 MBP			
-10	14	45	113	32	90	45	113	2253,8	7697	1939,6	1,86	6,34	1,60	1213,2	6,05	62,06	opt			
-25	-13	45	113	32	90	45	113	1093,1	3733	940,7	1,25	4,27	1,08	873,4	4,58	29,49	opt			

Performance tables

R404A, 220V/50Hz, CSCR, fan 3m/s, VDE, CCC, EAC

	pe		Cooling capacity			COP	EER	P1	I	m	
	[°C]	[°F]	[W]	[Btu/h]	[kcal/h]	[W/W]	[Btu/Wh]	[kcal/Wh]	[W]	[A]	[kg/h]
[°C / °F]	-25	-13	1093,1	3733	940,7	1,25	4,27	1,08	873,4	4,58	29,49
cond. pressure	-20	-4	1426,4	4871	1227,6	1,44	4,91	1,24	992,8	5,07	38,70
pc= 45/113	-15	5	1810,5	6183	1558,1	1,64	5,59	1,41	1105,3	5,56	49,46
return gas temp.	-10	14	2253,8	7697	1939,6	1,86	6,34	1,60	1213,2	6,05	62,06
RGT= 32/90	-5	23	2764,5	9441	2379,2	2,10	7,16	1,80	1318,8	6,55	76,85
liquid temp	0	32	3351,0	11444	2883,9	2,35	8,03	2,02	1424,4	7,06	94,21
Tliq= 45/113	7,2	45	4345,5	14841	3739,8	2,75	9,39	2,37	1581,2	7,80	124,61
[°C / °F]	-25	-13	822,4	2809	707,8	0,93	3,18	0,80	882,2	4,70	25,70
cond. pressure	-20	-4	1102,9	3767	949,1	1,07	3,64	0,92	1034,1	5,27	34,70
pc= 55/131	-15	5	1419,1	4846	1221,3	1,21	4,12	1,04	1176,7	5,86	45,00
return gas temp	-10	14	1779,3	6077	1531,3	1,36	4,63	1,17	1312,4	6,45	56,96
RGT= 32/90	-5	23	2191,9	7486	1886,4	1,52	5,19	1,31	1443,4	7,04	70,95
liquid temp	0	32	2665,2	9102	2293,7	1,70	5,79	1,46	1572,0	7,64	87,40
Tliq= 55/131	7,2	45	3470,1	11851	2986,4	1,97	6,74	1,70	1757,8	8,51	116,46

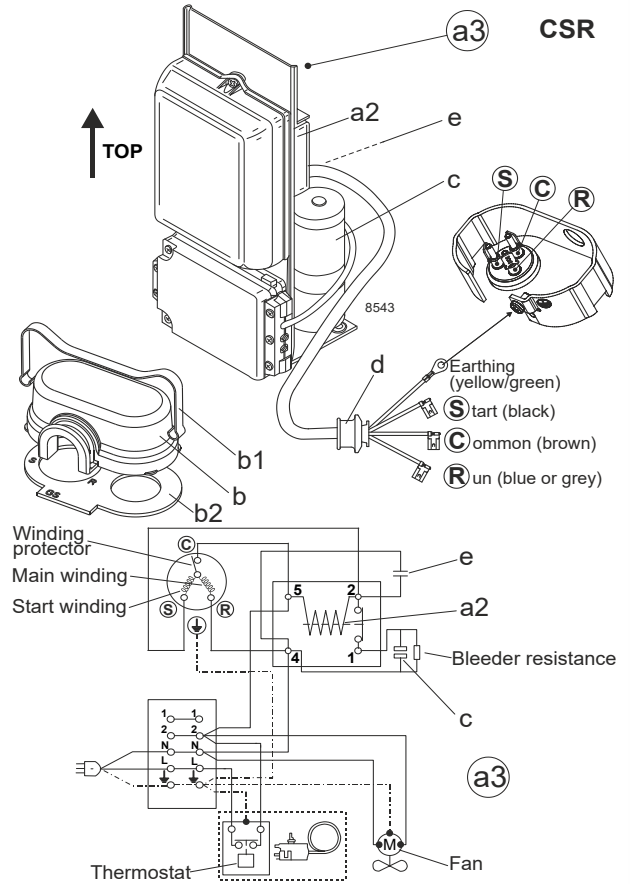
Model

Designation	GS26MLX	220-240V/50Hz	Conf. 2	Sales code:	107B0503
-------------	----------------	----------------------	----------------	-------------	-----------------

Configuration

Motorconfiguration	CSCR
Power supply (nominal)	220-240V/50Hz 1~
Refrigerant	R452A
Application	MBP
Voltage range	198-254V
Starting torque	HST
Approvals	VDE
	CCC
	EAC

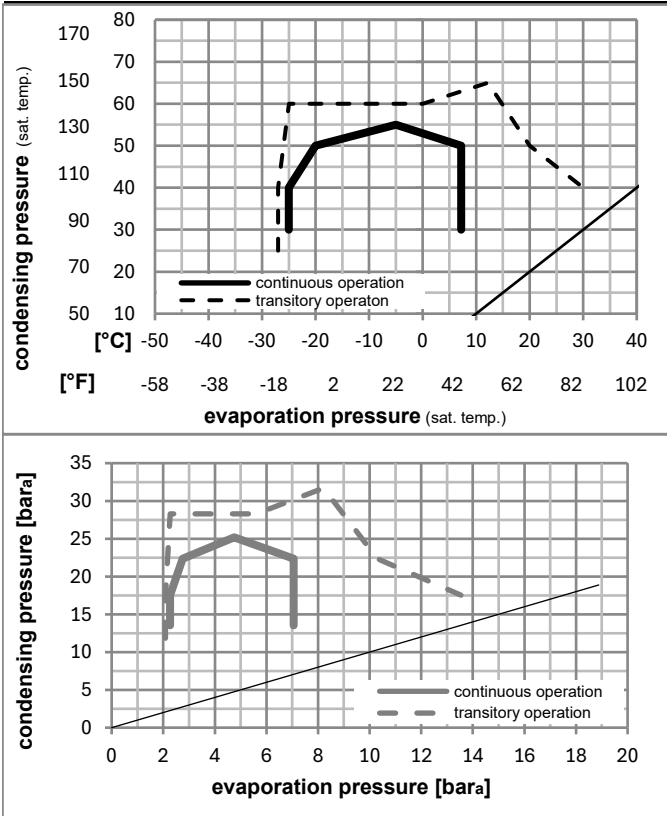
Electrical accessories / wiring diagram



Ambient/ machine room temperatures minimum /maximum

Ambient temperature range:	10 - 38°C / 50 - 101°F
Machine room temperature range:	10 - 43°C / 50 - 110°F
Compressor cooling:	fan 3m/s

Operation pressure range



Components (cover, clamp, gasket: incl. and pre assembl.)

a3	GS starter kit (600mm)	117-7072
b	cover	107B9101
b2	gasket	107B9100
b1	clamp	107B9104

Model

Designation **GS26MLX** **220-240V/50Hz** Conf. 2 Sales code: **107B0503**

Optimization + standard conditions

R452A, 220V/50Hz, CSCR, fan 3m/s, VDE, CCC, EAC

	Evaporating pressure (saturation temperature)				Cooling capacity	COP	EER	Power consumption			Ref. mass flow						
	pe	pc	RGT	Tliq				P1	I	m							
	[°C]	[°F]	[°C]	[°F]	[W]	[Btu/h]	[kcal/h]	[W/W]	[Btu/Wh]	[kcal/Wh]	[W]	[A]	[kg/h]				
ASHRAE MBP	-7	20	54	130	35	95	46	115	2185,0	7462	1880,5	1,65	5,64	1,42	1323,2	6,53	61,47
cecomaf MBP	-10	14	55	131	32	90	55	131	1641,6	5606	1412,8	1,33	4,54	1,15	1233,5	6,14	53,35
EN12900 MBP	-10	14	45	113	20	68	45	113	1988,9	6792	1711,6	1,76	5,99	1,51	1133,0	5,70	61,11
ARI540 MBP	-7	20	49	120	18	65	49	120	2042,3	6975	1757,6	1,63	5,56	1,40	1254,9	6,23	67,75
opt	-10	14	45	113	32	90	45	113	2107,5	7198	1813,8	1,86	6,35	1,60	1133,0	5,70	59,38
opt	-25	-13	45	113	32	90	45	113	1011,6	3455	870,6	1,27	4,33	1,09	797,8	4,22	27,98

Performance tables

R452A, 220V/50Hz, CSCR, fan 3m/s, VDE, CCC, EAC

	pe		Cooling capacity			COP	EER		P1	I	m
	[°C]	[°F]	[W]	[Btu/h]	[kcal/h]	[W/W]	[Btu/Wh]	[kcal/Wh]	[W]	[A]	[kg/h]
[°C / °F]	-25	-13	1011,6	3455	870,6	1,27	4,33	1,09	797,8	4,22	27,98
cond. pressure	-20	-4	1355,4	4629	1166,5	1,50	5,12	1,29	904,7	4,69	37,69
pc= 45/113	-15	5	1713,7	5853	1474,9	1,69	5,76	1,45	1016,9	5,19	47,94
return gas temp.	-10	14	2107,5	7198	1813,8	1,86	6,35	1,60	1133,0	5,70	59,38
RGT= 32/90	-5	23	2557,9	8736	2201,3	2,04	6,98	1,76	1251,4	6,22	72,68
liquid temp	0	32	3085,8	10539	2655,7	2,25	7,69	1,94	1370,6	6,74	88,57
Tliq= 45/113	7,2	45	4024,9	13746	3463,8	2,61	8,92	2,25	1540,5	7,49	117,58
[°C / °F]	-25	-13	775,4	2648	667,4	0,97	3,33	0,84	795,9	4,21	24,68
cond. pressure	-20	-4	1047,3	3577	901,3	1,11	3,80	0,96	940,6	4,85	33,52
pc= 55/131	-15	5	1329,0	4539	1143,7	1,22	4,18	1,05	1087,0	5,50	42,84
return gas temp	-10	14	1641,6	5606	1412,8	1,33	4,54	1,15	1233,5	6,14	53,35
RGT= 32/90	-5	23	2006,2	6852	1726,6	1,46	4,97	1,25	1378,7	6,78	65,85
liquid temp	0	32	2443,9	8346	2103,2	1,61	5,49	1,38	1521,1	7,41	81,15
Tliq= 55/131	7,2	45	3244,9	11082	2792,6	1,89	6,45	1,63	1718,2	8,27	109,98

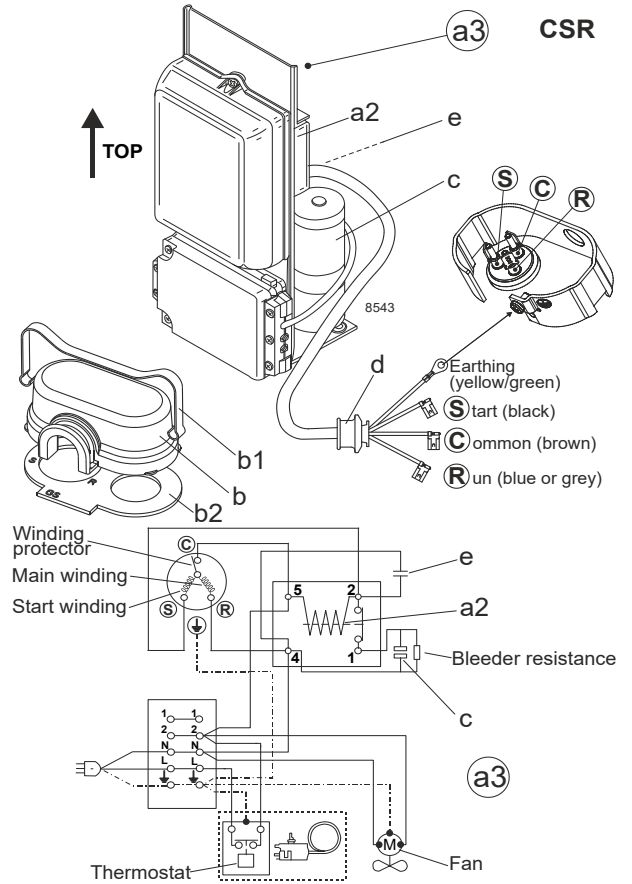
Model

Designation	GS26MLX	220-240V/50Hz	Conf. 3	Sales code:	107B0503
-------------	----------------	----------------------	----------------	-------------	-----------------

Configuration

Motorconfiguration	CSCR
Power supply (nominal)	220-240V/50Hz 1~
Refrigerant	R448A
Application	MBP
Voltage range	198-254V
Starting torque	HST
Approvals	

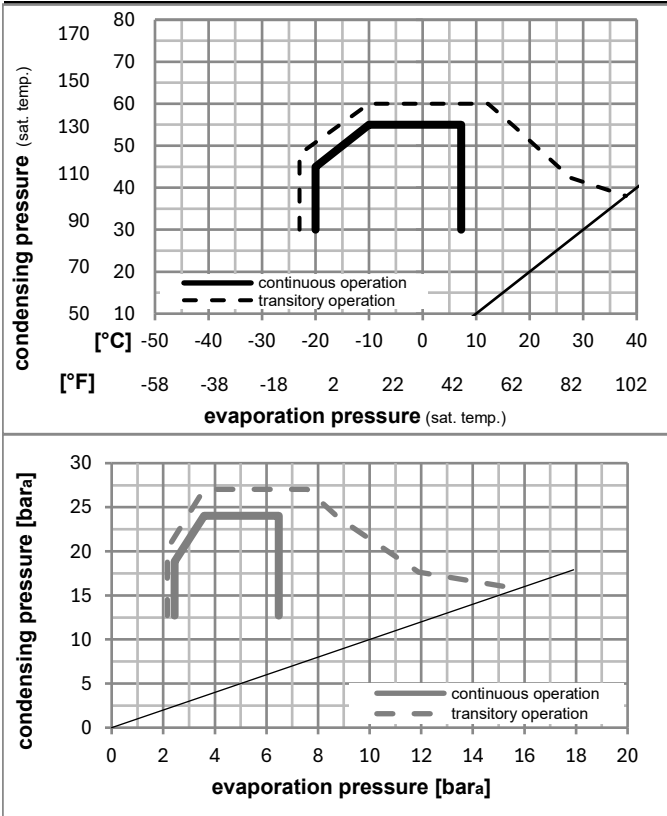
Electrical accessories / wiring diagram



Ambient/ machine room temperatures minimum /maximum

Ambient temperature range:	10 - 38°C / 50 - 101°F
Machine room temperature range:	10 - 43°C / 50 - 110°F
Compressor cooling:	fan 3m/s

Operation pressure range



Components (cover, clamp, gasket: incl. and pre assembl.)

a3	GS starter kit (600mm)	117-7072
b	cover	107B9101
b2	gasket	107B9100
b1	clamp	107B9104

Model

Designation **GS26MLX** **220-240V/50Hz** Conf. 3 Sales code: **107B0503**

Optimization + standard conditions

R448A, 220V/50Hz, CSCR, fan 3m/s,

	Evaporating pressure (saturation temperature)				Cooling capacity	COP	EER	Power consumption			ASHRAE MBP							
	pe	pc	RGT	Tliq				P1	I	m								
	[°C]	[°F]	[°C]	[°F]	[W]	[W/W]	[Btu/Wh]	[kcal/Wh]	[W]	[A]	[kg/h]							
	-7	20	54	130	35	95	46	115	2180,4	7447	1876,5	1,77	6,05	1,52	1231,7	6,12	47,63	ASHRAE MBP
	-10	14	55	131	32	90	55	131	1662,7	5678	1431,0	1,44	4,92	1,24	1155,2	5,79	40,72	cecomaf MBP
	-10	14	45	113	20	68	45	113	1957,8	6686	1684,9	1,82	6,23	1,57	1073,8	5,44	45,80	EN12900 MBP
	-7	20	49	120	18	65	49	120	2086,3	7125	1795,5	1,77	6,05	1,52	1177,7	5,89	51,89	ARI540 MBP
	-10	14	45	113	32	90	45	113	2037,3	6958	1753,3	1,90	6,48	1,63	1073,8	5,44	44,52	opt
	-25	-13	45	113	32	90	45	113	937,9	3203	807,2	1,25	4,26	1,07	751,3	4,05	20,17	opt

Performance tables

R448A, 220V/50Hz, CSCR, fan 3m/s,

	pe		Cooling capacity			COP	EER	P1			I	m
	[°C]	[°F]	[W]	[Btu/h]	[kcal/h]	[W/W]	[Btu/Wh]	[kcal/Wh]	[W]	[A]	[kg/h]	
[°C / °F]	-20	-4	1248,3	4263	1074,3	1,44	4,93	1,24	863,9	4,54	26,96	
cond. pressure	-15	5	1611,6	5504	1387,0	1,66	5,67	1,43	970,8	5,00	35,00	
pc= 45/113	-10	14	2037,3	6958	1753,3	1,90	6,48	1,63	1073,8	5,44	44,52	
return gas temp.	-7	20	2356,9	8049	2028,4	2,07	7,06	1,78	1140,6	5,73	51,75	
RGT= 32/90	-5	23	2534,7	8656	2181,4	2,16	7,37	1,86	1174,7	5,87	55,80	
liquid temp	0	32	3113,1	10632	2679,2	2,44	8,34	2,10	1275,2	6,31	69,13	
Tliq= 45/113	7,2	45	4107,5	14028	3534,9	2,89	9,86	2,48	1423,0	6,94	92,65	
[°C / °F]	-20	-4	992,7	3390	854,3	1,11	3,78	0,95	896,0	4,68	24,00	
cond. pressure	-15	5	1302,6	4449	1121,0	1,27	4,32	1,09	1028,7	5,25	31,68	
pc= 55/131	-10	14	1662,7	5678	1431,0	1,44	4,92	1,24	1155,2	5,79	40,72	
return gas temp	-7	20	1932,5	6600	1663,1	1,56	5,34	1,35	1236,3	6,14	47,58	
RGT= 32/90	-5	23	2082,5	7112	1792,2	1,63	5,57	1,40	1277,5	6,32	51,43	
liquid temp	0	32	2571,3	8781	2212,9	1,84	6,29	1,58	1397,1	6,83	64,13	
Tliq= 55/131	7,2	45	3415,3	11664	2939,2	2,18	7,44	1,87	1568,6	7,57	86,68	

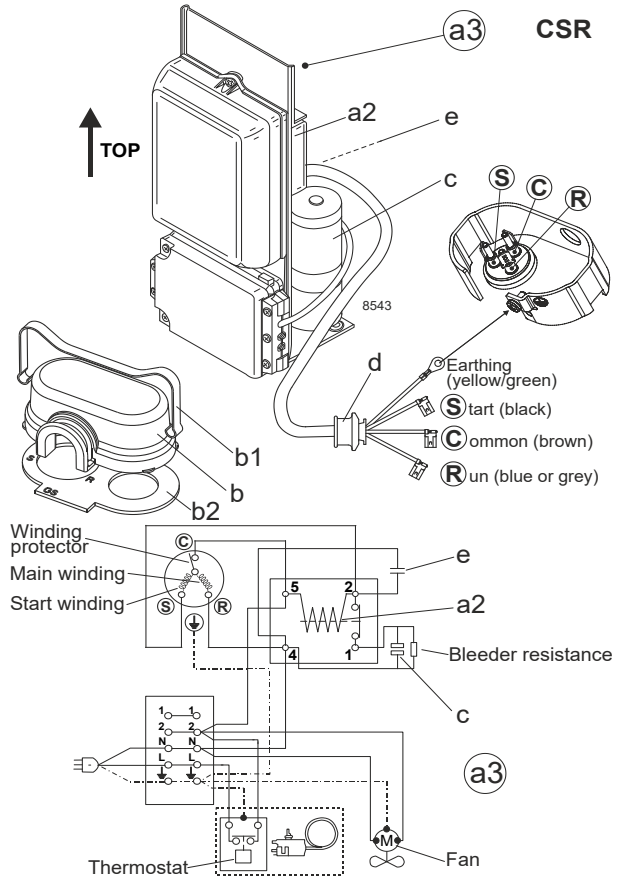
Model

Designation	GS26MLX	220-240V/50Hz	Conf. 4	Sales code:	107B0503
-------------	----------------	----------------------	----------------	-------------	-----------------

Configuration

Motorconfiguration	CSCR
Power supply (nominal)	220-240V/50Hz 1~
Refrigerant	R449A
Application	MBP
Voltage range	198-254V
Starting torque	HST
Approvals	

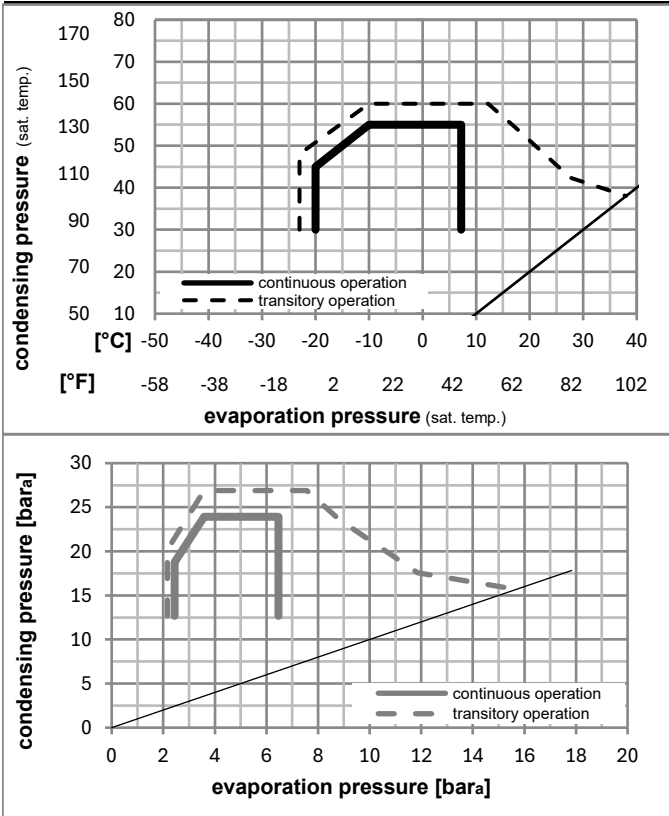
Electrical accessories / wiring diagram



Ambient/ machine room temperatures minimum /maximum

Ambient temperature range:	10 - 38°C / 50 - 101°F
Machine room temperature range:	10 - 43°C / 50 - 110°F
Compressor cooling:	fan 3m/s

Operation pressure range



Components (cover, clamp, gasket: incl. and pre assembl.)

a3	GS starter kit (600mm)	117-7072
b	cover	107B9101
b2	gasket	107B9100
b1	clamp	107B9104

Model

Designation **GS26MLX** **220-240V/50Hz** Conf. 4 Sales code: **107B0503**

Optimization + standard conditions

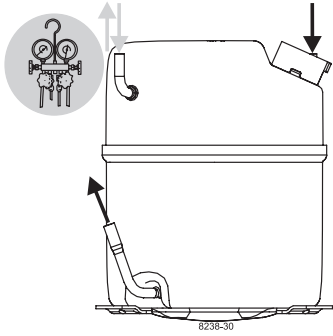
R449A, 220V/50Hz, CSCR, fan 3m/s,

	Evaporating pressure (saturation temperature)				Cooling capacity	COP	EER	Power consumption			ASHRAE MBP							
	pe	pc	RGT	Tliq				P1	I	m								
	[°C]	[°F]	[°C]	[°F]	[W]	[W/W]	[Btu/Wh]	[kcal/Wh]	[W]	[A]	[kg/h]							
	-7	20	54	130	35	95	46	115	2168,8	7407	1866,5	1,77	6,05	1,52	1224,8	6,09	48,31	ASHRAE MBP
	-10	14	55	131	32	90	55	131	1651,9	5641	1421,6	1,44	4,91	1,24	1149,4	5,76	41,31	cecomaf MBP
	-10	14	45	113	20	68	45	113	1945,1	6643	1674,0	1,82	6,21	1,57	1069,2	5,42	46,45	EN12900 MBP
	-7	20	49	120	18	65	49	120	2070,9	7072	1782,2	1,77	6,04	1,52	1171,6	5,86	52,63	ARI540 MBP
	-10	14	45	113	32	90	45	113	2026,2	6920	1743,8	1,90	6,47	1,63	1069,2	5,42	45,15	opt
	-25	-13	45	113	32	90	45	113	934,2	3190	804,0	1,25	4,26	1,07	749,4	4,04	20,48	opt

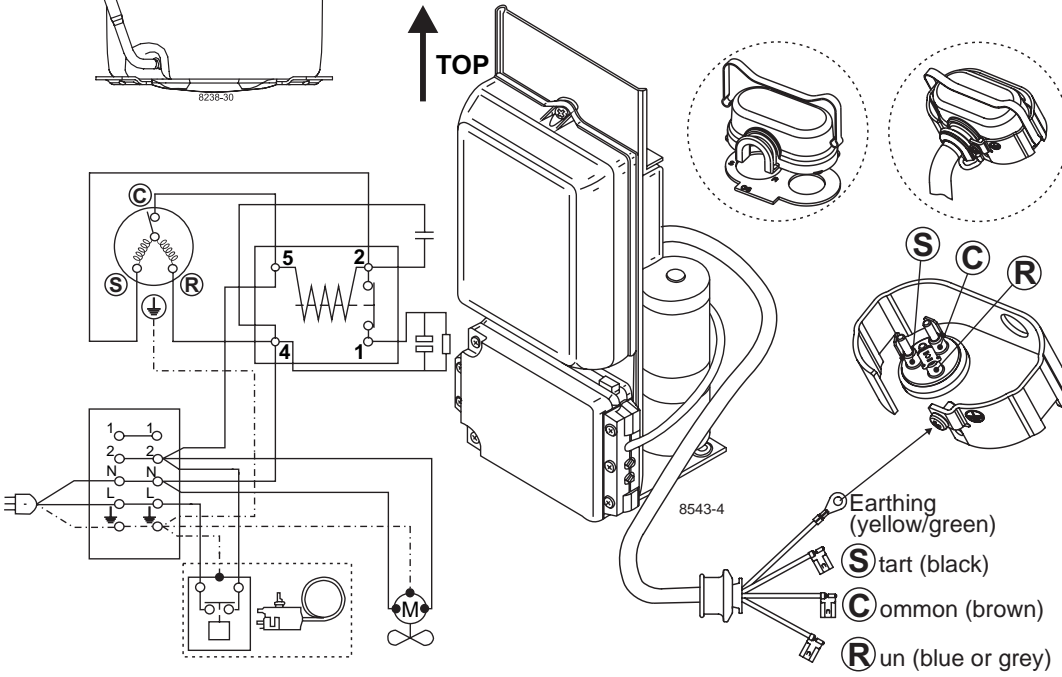
Performance tables

R449A, 220V/50Hz, CSCR, fan 3m/s,

	pe		Cooling capacity			COP	EER	P1	I	m	
	[°C]	[°F]	[W]	[Btu/h]	[kcal/h]	[W/W]	[Btu/Wh]	[kcal/Wh]	[W]	[A]	[kg/h]
[°C / °F]	-20	-4	1242,6	4244	1069,4	1,44	4,93	1,24	861,2	4,53	27,37
cond. pressure	-15	5	1603,5	5476	1380,0	1,66	5,66	1,43	967,2	4,98	35,51
pc= 45/113	-10	14	2026,2	6920	1743,8	1,90	6,47	1,63	1069,2	5,42	45,15
return gas temp.	-7	20	2343,6	8004	2016,9	2,06	7,05	1,78	1135,1	5,70	52,48
RGT= 32/90	-5	23	2520,0	8606	2168,7	2,16	7,36	1,86	1168,9	5,85	56,58
liquid temp	0	32	3094,3	10567	2663,0	2,44	8,33	2,10	1268,1	6,28	70,09
Tliq= 45/113	7,2	45	4081,3	13938	3512,4	2,89	9,86	2,48	1413,7	6,90	93,92
[°C / °F]	-20	-4	987,2	3371	849,6	1,11	3,78	0,95	892,9	4,66	24,37
cond. pressure	-15	5	1294,7	4422	1114,2	1,26	4,32	1,09	1024,2	5,23	32,15
pc= 55/131	-10	14	1651,9	5641	1421,6	1,44	4,91	1,24	1149,4	5,76	41,31
return gas temp	-7	20	1919,4	6555	1651,8	1,56	5,33	1,34	1229,4	6,11	48,27
RGT= 32/90	-5	23	2068,1	7063	1779,8	1,63	5,56	1,40	1270,0	6,28	52,16
liquid temp	0	32	2552,7	8718	2196,9	1,84	6,28	1,58	1387,9	6,79	65,03
Tliq= 55/131	7,2	45	3389,5	11576	2917,1	2,18	7,44	1,87	1556,5	7,52	87,89



GS Compressors



	S	C	R
ENGLISH	Black	Brown	Blue or grey
DEUTSCH	Schwarz	Braun	Blau od. grau
FRANÇAIS	Noir	Marron	Bleu ou gris
ESPAÑOL	Negro	Marrón	Azul o gris
ITALIANO	Nero	Marrone	Blu o grigio
NEDERLANDS	Zwart	Bruin	Blauw of grijs
DANSK	Sort	Brun	Blå eller grå
SVENSKA	Svart	Brun	Blå eller grå
SUOMEKSI	Musta	Ruskea	Sininen tai harmaa
РУССКИЙ	Чёрный	Коричневый	Синий или серый
中文	黑色	棕色	蓝色或灰色

Secop accepts no responsibility for possible errors in catalogs, brochures, and other printed material. Secop reserves the right to alter its products without notice. This also applies to products already on order provided that such alterations can be made without consequential changes being necessary to specifications already agreed. All trademarks in this material are the property of the respective companies. Secop and the Secop logotype are trademarks of Secop GmbH. All rights reserved. www.secop.com