

Single Pack KLF7.7CNT 200-240V 50Hz / 208-230V 60Hz CSIR

Codice Imballo Singolo: **195B4780**

Posizione	Titolo	Codice	Quantità
1	Compressor KLF7.7CNT	106H2808	1
2	KL accessories	103N1060	1
3	Starting capacitor (80 μ F 260V, 6.3mm)	117U5003	1
4	Starting relay (QLZ-7.85A, overload protector T0916/L6)	117U7079	1
5	Bolt joint for one compressor M6 \varnothing 16mm	118-1917	1

Secop GmbH • Lise-Meitner-Straße 29 • 24941 Flensburg, Germany • Tel: +49 46149410 • www.secop.com

Secop non si assume alcuna responsabilità per eventuali errori presenti in cataloghi, brochure e altro materiale stampato. Secop si riserva il diritto di modificare i propri prodotti senza preavviso. Ciò vale anche per i prodotti già ordinati, a condizione che tali modifiche possano essere apportate senza che siano necessarie modifiche successive alle specifiche già concordate. Tutti i marchi presenti in questo materiale sono di proprietà delle rispettive aziende. Secop e il logo Secop sono marchi di Secop GmbH. Tutti i diritti sono riservati.

Model

Designation	KLF7.7CNT	200-240V/50Hz 1~	208-230V/60Hz 1~	Sales code:	106H2808
-------------	------------------	-------------------------	-------------------------	-------------	-----------------

Compressor design

Oil type	Polyolester	Refrigerant(s)	R290
Oil viscosity	19,2cSt	Displacement	7,7cm ³ / 0,47cu.in
Oil quantity	170cm ³ / 5,7fl.oz	Compressors on pallet	100
Refr. charge - tech. limit	200g / 7,1oz		
Free gas volume comp.	1575cm ³ / 53,3fl.oz		
Weight	9,6kg / 21,2lbs		
Motor protection	external		
Winding resistance main	6,4Ω (at 25°C)		
Winding resistance aux	14,8Ω (at 25°C)		
Max. winding temp.	125°C / 257°F		
Max. discharge temp.	130°C / 266°F		



General - Configurations with KLF7.7CNT

	Conf. 1	Conf. 2	Conf. 3	Conf. 4
Motorconfiguration	CSIR	RSCR	CSIR	RSCR
Power supply (nominal)	200-240V/50Hz	200-240V/50Hz	208-230V/60Hz	208-230V/60Hz
Number of phases	1	1	1	1
Voltage range	187-254V	187-254V	198-253V	198-253V
Approvals	UL	UL	UL	UL
Starting torque	HST	LST	HST	LST
Note	- / -			

Applications with KLF7.7CNT

	Conf. 1	Conf. 2	Conf. 3	Conf. 4
Refrigerant	R290	R290	R290	R290
Application	LBP+MBP	LBP+MBP	LBP+MBP	LBP+MBP
System cooling	fan 3m/s	fan 3m/s	fan 3m/s	fan 3m/s
Hot gas defrost	OK	OK	OK	OK
Long interval pull down	OK	OK	OK	OK

Electrical data - Configurations with KLF7.7CNT

	Conf. 1	Conf. 2	Conf. 3	Conf. 4
Starting device type	relay	PTC	relay	PTC
Run capacitor	-/-	5μF	-/-	5μF
Start capacitor	80μF	-/-	80μF	-/-
LRA (locked rotor amps / 4s/ U(N))	15,8A	15,8A	15,3A	15,3A
RLA (rated load amps / 1s/ U(N))	1,9A	1,9A	2A	2A
Cut in current (U(N))				

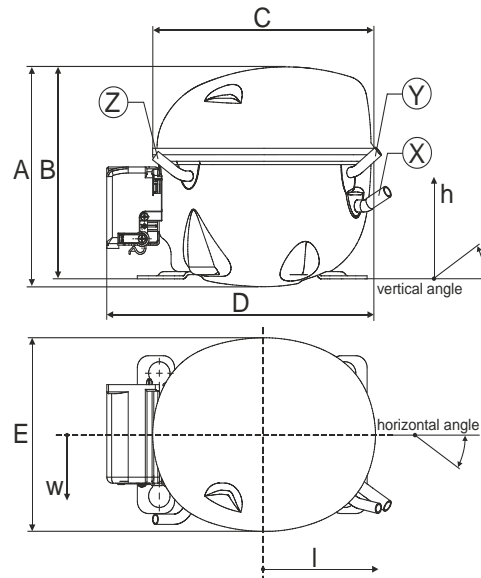
Model

Designation **KLF7.7CNT** 200-240V/50Hz 1~ 208-230V/60Hz 1~ Sales code: **106H2808**

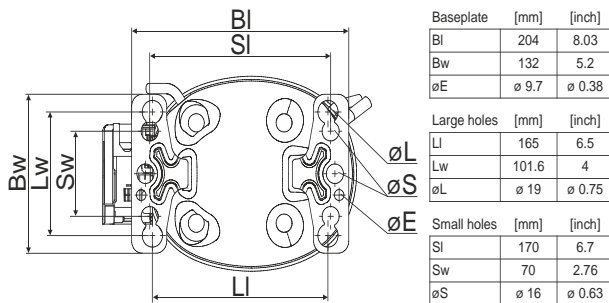
Compressor dimensions

Housing	A Height	182mm / 7,17in
	B Height	175mm / 6,89in
	C Length shell	198mm / 7,8in
	D Length w. cover	238mm / 9,37in
	E Width	160mm / 6,3in

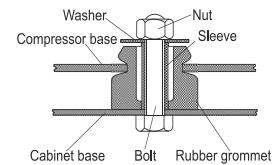
Connectors	Suction	Discharge	Process
	X	Y	Z
Diameter [mm]	øi 8,11-8,29	øi 6,11-6,29	øi 6,11-6,29
(i:inside, o:outside) [in]	øi 0,32-0,33	øi 0,24-0,25	øi 0,24-0,25
Material	copper	copper	copper
Horizontal angle ±2°	35°	13°	0°
Vertical angle ±2°	30°	40°	145°
Position l/h/w [mm]	119/73/59	117/107/66	-88/101/71
[in]	4,7/2,9/2,3	4,6/4,2/2,6	-3,5/4/2,8
Straight tube l. [mm]	14	14	14
[in]	0,5	0,5	0,5



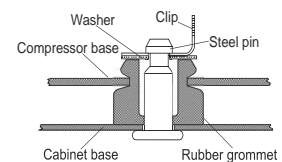
Compressor fixation



Bolt joint



Snap-on



Mounting accessories	one comp.	multi pack
Bolt joint M6 ø16mm	118-1917	118-1918
Bolt joint ø1/4" ø16mm	118-1946	
Bolt joint ø1/4" ø19mm	118-1949	
Snap-on ø7,3 ø16mm	118-1947	118-1919

Application notes

Provision for PE Grounding is located at the PE Stamp on the compressor

Model

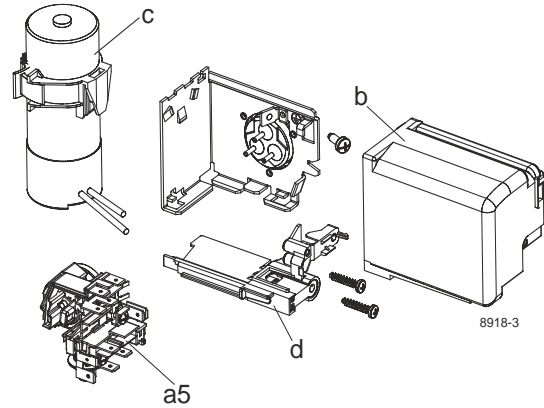
Designation	KLF7.7CNT	200-240V/50Hz	Conf. 1	Sales code:	106H2808
-------------	------------------	----------------------	----------------	-------------	-----------------

Configuration

Motorconfiguration	CSIR
Power supply (nominal)	200-240V/50Hz 1~
Refrigerant	R290
Application	LBP+MBP
Voltage range	187-254V
Starting torque	HST
Approvals	UL

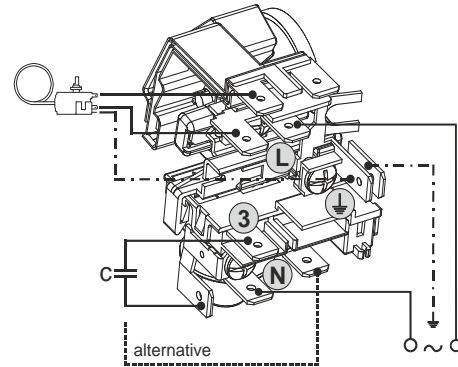
Electrical accessories / wiring diagram

CSIR

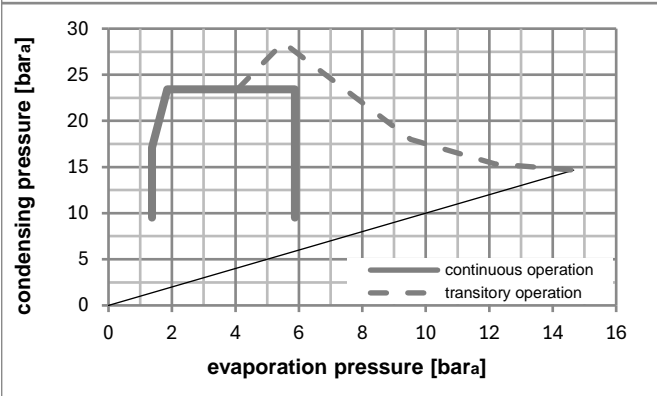
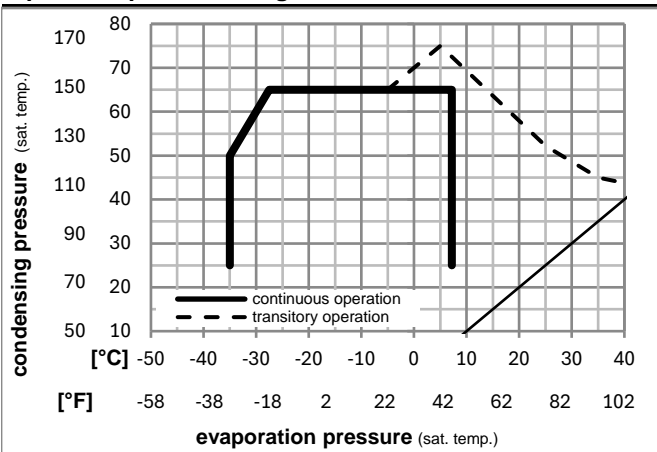


Ambient/ machine room temperatures minimum /maximum

Ambient temperature range:	10 - 43°C / 50 - 110°F
Machine room temperature range:	10 - 48°C / 50 - 119°F
Compressor cooling:	fan 3m/s



Operation pressure range



Components

a5	current relay (T0916/L6-S8)	117U7079
c	start capacitor (80µF, 6.3mm)	117U5003
b, d	cover + clamp + screws(5VA-compl.)	103N0600

Alternative components

b, d	100x cover + clamp + screws(5VA)	103N2060
b, d	cover + clamp + screws(5VA) in bag	103N1060

Model

Designation **KLF7.7CNT** **200-240V/50Hz** Conf. 1 Sales code: **106H2808**

Optimization + standard conditions

R290, 220V/50Hz, CSIR, fan 3m/s, UL

Evaporating pressure (saturation temperature)				Condensing pressure (saturation temperature)			Return gas temp.			Liquid temp.			Cooling capacity			COP	EER	Power consumption			Ref. mass flow m	ASHRAE LBP
pe	pc	RGT	Tliq	[W]	[Btu/h]	[kcal/h]	[W/W]	[Btu/Wh]	[kcal/Wh]	P1	I	kg/h										
[°C]	[°C]	[°C]	[°C]	[W]	[Btu/h]	[kcal/h]	[W/W]	[Btu/Wh]	[kcal/Wh]	[W]	[A]	[kg/h]										
-23	54	32	32	395,4	1350	340,3	1,55	5,30	1,34	254,6	1,88	4,00	ASHRAE LBP									
-10	130	90	90																			
-25	55	32	55	295,9	1011	254,7	1,20	4,11	1,04	245,7	1,86	3,68	cecomaf LBP									
-13	131	90	131																			
-35	40	20	40	228,1	779	196,3	1,24	4,24	1,07	183,8	1,74	2,61	EN12900 LBP									
-31	104	68	104																			
-7	54	35	46	704,6	2406	606,3	2,02	6,89	1,73	349,5	2,18	8,04	ASHRAE MBP									
20	130	95	115																			
-10	55	32	55	560,2	1913	482,1	1,68	5,74	1,45	333,3	2,13	7,09	cecomaf MBP									
14	131	90	131																			
-10	45	20	45	614,9	2100	529,2	2,07	7,06	1,78	297,5	2,01	7,55	EN12900 MBP									
14	113	68	113																			

Performance tables

R290, 220V/50Hz, CSIR, fan 3m/s, UL

	pe		Cooling capacity			COP	EER		P1	I	m
	[°C]	[°F]	[W]	[Btu/h]	[kcal/h]	[W/W]	[Btu/Wh]	[kcal/Wh]	[W]	[A]	[kg/h]
[°C / °F]	-25	-13	345,3	1179	297,2	1,49	5,08	1,28	232,3	1,83	3,89
cond. pressure	-25	-13	345,3	1179	297,2	1,49	5,08	1,28	232,3	1,83	3,89
pc= 45/113	-15	5	526,6	1799	453,2	1,90	6,50	1,64	276,7	1,94	5,99
return gas temp.	-10	14	640,2	2186	550,9	2,15	7,35	1,85	297,5	2,01	7,32
RGT= 32/90	-5	23	769,9	2629	662,6	2,43	8,31	2,09	316,4	2,07	8,86
liquid temp	0	32	916,6	3130	788,9	2,76	9,41	2,37	332,6	2,12	10,63
Tliq= 45/113	7,2	45	1159,1	3958	997,5	3,31	11,32	2,85	349,7	2,18	13,62
[°C / °F]	-25	-13	295,9	1011	254,7	1,20	4,11	1,04	245,7	1,86	3,68
cond. pressure	-25	-13	295,9	1011	254,7	1,20	4,11	1,04	245,7	1,86	3,68
pc= 55/131	-15	5	459,1	1568	395,1	1,51	5,15	1,30	304,3	2,03	5,77
return gas temp	-10	14	560,2	1913	482,1	1,68	5,74	1,45	333,3	2,13	7,09
RGT= 32/90	-5	23	675,4	2306	581,2	1,87	6,39	1,61	361,1	2,22	8,60
liquid temp	0	32	805,2	2750	693,0	2,08	7,11	1,79	387,0	2,32	10,34
Tliq= 55/131	7,2	45	1019,5	3482	877,4	2,43	8,30	2,09	419,4	2,44	13,28

Model

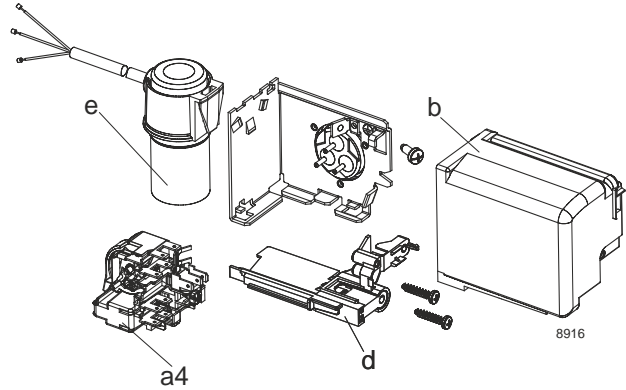
Designation	KLF7.7CNT	200-240V/50Hz	Conf. 2	Sales code:	106H2808
-------------	------------------	----------------------	----------------	-------------	-----------------

Configuration

Motorconfiguration	RSCR
Power supply (nominal)	200-240V/50Hz 1~
Refrigerant	R290
Application	LBP+MBP
Voltage range	187-254V
Starting torque	LST
Approvals	UL

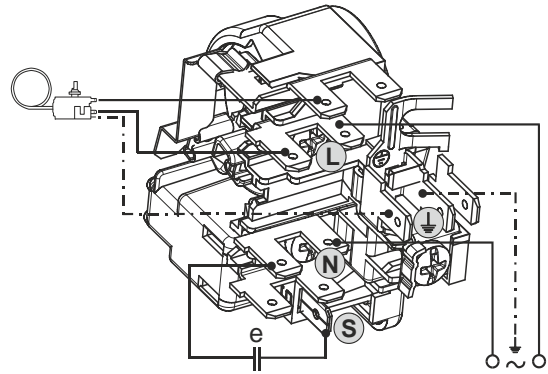
Electrical accessories / wiring diagram

RSCR

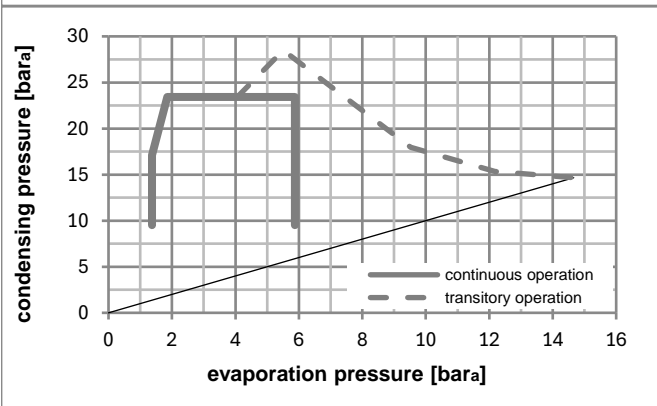
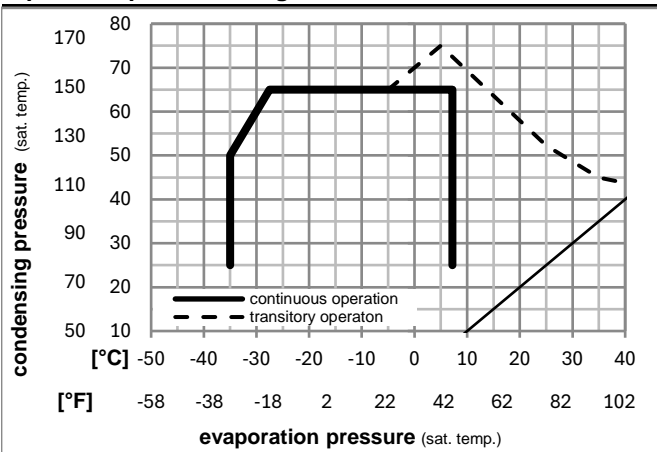


Ambient/ machine room temperatures minimum /maximum

Ambient temperature range:	10 - 43°C / 50 - 110°F
Machine room temperature range:	10 - 48°C / 50 - 119°F
Compressor cooling:	fan 3m/s



Operation pressure range



Components

a4	DAS1 (PTC,6.3mm, T0377/L6 - S1)	103N0250
e	run capacitor (5µF, 6.3mm)	117-7191
b, d	cover + clamp + screws(5VA-compl.)	103N0600

Alternative components

a4	ZAS1 (PTC,4.8mm, T0377/L6 - S1)	103N0252
e	run capacitor (5µF, 4.8mm)	117-7190

b, d	100x cover + clamp + screws(5VA)	103N2060
b, d	cover + clamp + screws(5VA) in bag	103N1060

Model

Designation **KLF7.7CNT** **200-240V/50Hz** Conf. 2 Sales code: **106H2808**

Optimization + standard conditions

R290, 220V/50Hz, RSCR, fan 3m/s, UL

		Evaporating pressure (saturation temperature)			Condensing pressure (saturation temperature)			Return gas temp.			Liquid temp.			Cooling capacity			COP	EER	Power consumption			ASHRAE LBP
		pe	pc	RGT	Tliq	[W]	[Btu/h]	[kcal/h]	[W/W]	[Btu/Wh]	[kcal/Wh]	P1	I	Ref. mass flow				ASHRAE LBP				
[°C]	[°F]	[W]	[A]	[kg/h]																		
[°C]	-23	54	32	32	399,7	1365	344,0	1,62	5,52	1,39	247,4	1,50	4,05				ASHRAE LBP					
[°F]	-10	130	90	90																		
[°C]	-25	55	32	55	299,8	1024	258,0	1,25	4,27	1,08	239,7	1,48	3,73				cecomaf LBP					
[°F]	-13	131	90	131																		
[°C]	-35	40	20	40	227,6	777	195,8	1,33	4,55	1,15	170,9	1,29	2,60				EN12900 LBP					
[°F]	-31	104	68	104																		
[°C]	-7	54	35	46	708,0	2418	609,3	2,14	7,31	1,84	331,0	1,81	8,08				ASHRAE MBP					
[°F]	20	130	95	115																		
[°C]	-10	55	32	55	563,5	1925	485,0	1,78	6,07	1,53	317,1	1,76	7,13				cecomaf MBP					
[°F]	14	131	90	131																		
[°C]	-10	45	20	45	620,0	2117	533,5	2,17	7,41	1,87	285,9	1,64	7,61				EN12900 MBP					
[°F]	14	113	68	113																		

Performance tables

R290, 220V/50Hz, RSCR, fan 3m/s, UL

	pe		Cooling capacity			COP	EER	P1			I	m
	[°C]	[°F]	[W]	[Btu/h]	[kcal/h]	[W/W]	[Btu/Wh]	[kcal/Wh]	[W]	[A]	[kg/h]	
[°C / °F]	-35	-31	219,9	751	189,3	1,23	4,19	1,06	179,3	1,31	2,46	
cond. pressure	-25	-13	348,7	1191	300,1	1,54	5,27	1,33	225,9	1,44	3,93	
pc= 45/113	-15	5	531,4	1815	457,3	1,99	6,78	1,71	267,5	1,57	6,05	
return gas temp.	-10	14	645,4	2204	555,5	2,26	7,71	1,94	285,9	1,64	7,38	
RGT= 32/90	-5	23	775,9	2650	667,7	2,57	8,76	2,21	302,4	1,70	8,93	
liquid temp	0	32	923,8	3155	795,0	2,92	9,96	2,51	316,7	1,76	10,71	
Tliq= 45/113	7,2	45	1169,3	3993	1006,3	3,51	11,99	3,02	333,1	1,82	13,74	
[°C / °F]	-35	-31	182,2	622	156,8	0,97	3,33	0,84	186,9	1,32	2,25	
cond. pressure	-25	-13	299,8	1024	258,0	1,25	4,27	1,08	239,7	1,48	3,73	
pc= 55/131	-15	5	462,6	1580	398,1	1,59	5,41	1,36	291,8	1,66	5,82	
return gas temp	-10	14	563,5	1925	485,0	1,78	6,07	1,53	317,1	1,76	7,13	
RGT= 32/90	-5	23	678,7	2318	584,1	1,99	6,79	1,71	341,6	1,85	8,65	
liquid temp	0	32	809,1	2763	696,3	2,22	7,57	1,91	365,0	1,94	10,39	
Tliq= 55/131	7,2	45	1025,7	3503	882,8	2,59	8,84	2,23	396,4	2,07	13,36	

Model

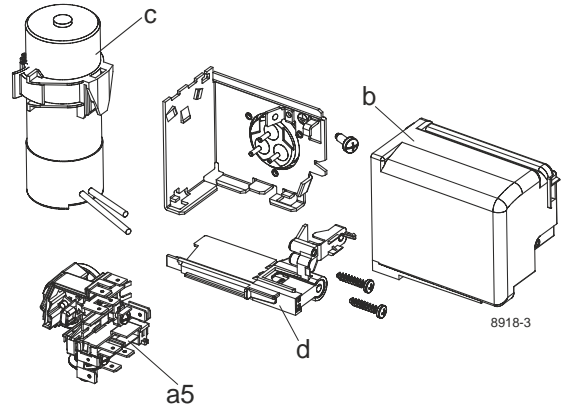
Designation	KLF7.7CNT	208-230V/60Hz	Conf. 3	Sales code:	106H2808
-------------	------------------	----------------------	----------------	-------------	-----------------

Configuration

Motorconfiguration	CSIR
Power supply (nominal)	208-230V/60Hz 1~
Refrigerant	R290
Application	LBP+MBP
Voltage range	198-253V
Starting torque	HST
Approvals	UL

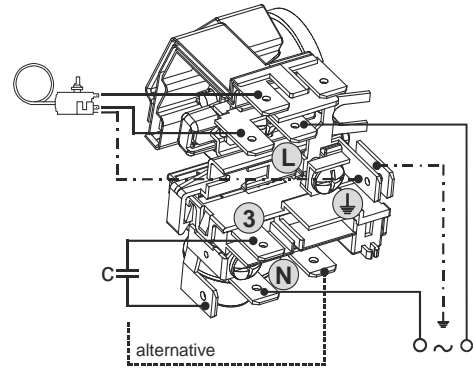
Electrical accessories / wiring diagram

CSIR

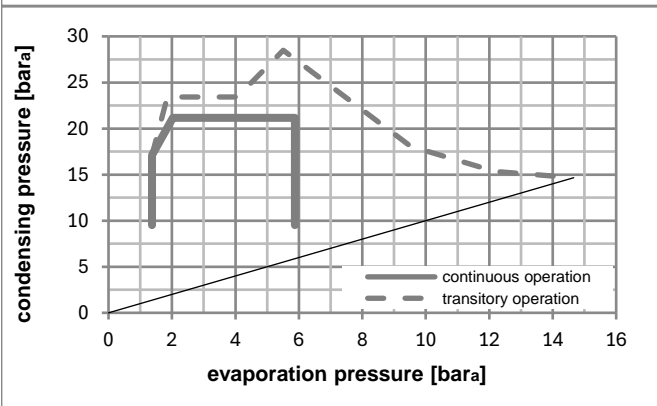
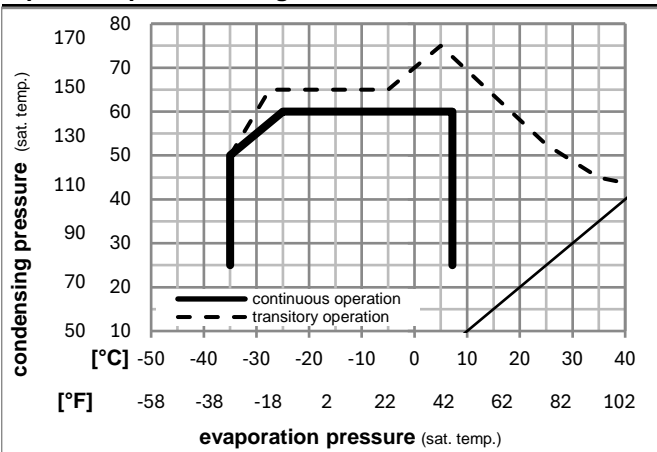


Ambient/ machine room temperatures minimum /maximum

Ambient temperature range:	10 - 43°C / 50 - 110°F
Machine room temperature range:	10 - 48°C / 50 - 119°F
Compressor cooling:	fan 3m/s



Operation pressure range



Components

a5	current relay (T0916/L6-S8)	117U7079
c	start capacitor (80µF, 6.3mm)	117U5003
b, d	cover + clamp + screws(5VA-compl.)	103N0600

Alternative components

b, d	100x cover + clamp + screws(5VA)	103N2060
b, d	cover + clamp + screws(5VA) in bag	103N1060

Model

Designation **KLF7.7CNT** **208-230V/60Hz** Conf. 3 Sales code: **106H2808**

Optimization + standard conditions

R290, 230V/60Hz, CSIR, fan 3m/s, UL

	Evaporating pressure (saturation temperature)				Condensing pressure (saturation temperature)			COP	EER	Power consumption			ASHRAE LBP	
	pe	pc	RGT	Tliq	[W]	[Btu/h]	[kcal/h]			P1	I	Ref. mass flow		
	[°C]	[°F]	[°C]	[°F]	[W]	[Btu/h]	[kcal/h]	[W/W]	[Btu/Wh]	[kcal/Wh]	[W]	[A]	[kg/h]	
	-23	54	32	32	484,2	1654	416,7	1,62	5,54	1,40	298,3	1,78	4,90	ASHRAE LBP
	-10	130	90	90										
	-25	55	32	55	364,6	1245	313,8	1,27	4,32	1,09	287,9	1,74	4,54	cecomaf LBP
	-13	131	90	131										
	-35	40	20	40	269,9	922	232,2	1,26	4,30	1,08	214,5	1,51	3,08	EN12900 LBP
	-31	104	68	104										
	-7	54	35	46	835,2	2852	718,7	2,07	7,07	1,78	403,6	2,17	9,53	ASHRAE MBP
	20	130	95	115										
	-10	55	32	55	666,9	2277	573,9	1,73	5,90	1,49	385,8	2,10	8,44	cecomaf MBP
	14	131	90	131										
	-10	45	20	45	732,8	2503	630,7	2,09	7,15	1,80	350,1	1,96	9,00	EN12900 MBP
	14	113	68	113										

Performance tables

R290, 230V/60Hz, CSIR, fan 3m/s, UL

	pe		Cooling capacity			COP	EER		P1	I	m
	[°C]	[°F]	[W]	[Btu/h]	[kcal/h]	[W/W]	[Btu/Wh]	[kcal/Wh]	[W]	[A]	[kg/h]
[°C / °F]	-35	-31	260,8	891	224,5	1,19	4,07	1,03	218,8	1,52	2,92
cond. pressure	-25	-13	420,6	1436	361,9	1,53	5,22	1,32	275,2	1,70	4,74
pc= 45/113	-15	5	632,3	2159	544,2	1,93	6,61	1,67	326,8	1,88	7,19
return gas temp.	-10	14	762,9	2605	656,6	2,18	7,44	1,88	350,1	1,96	8,73
RGT= 32/90	-5	23	912,8	3117	785,6	2,46	8,40	2,12	371,3	2,05	10,51
liquid temp	0	32	1084,1	3702	933,0	2,78	9,49	2,39	390,1	2,12	12,57
Tliq= 45/113	7,2	45	1372,5	4687	1181,2	3,33	11,36	2,86	412,6	2,21	16,13
[°C / °F]	-35	-31	222,4	759	191,4	1,01	3,46	0,87	219,4	1,52	2,75
cond. pressure	-25	-13	364,6	1245	313,8	1,27	4,32	1,09	287,9	1,74	4,54
pc= 55/131	-15	5	551,4	1883	474,6	1,56	5,32	1,34	354,2	1,98	6,93
return gas temp	-10	14	666,9	2277	573,9	1,73	5,90	1,49	385,8	2,10	8,44
RGT= 32/90	-5	23	799,7	2731	688,2	1,92	6,57	1,65	416,0	2,22	10,19
liquid temp	0	32	952,1	3252	819,4	2,14	7,32	1,84	444,5	2,34	12,23
Tliq= 55/131	7,2	45	1210,1	4133	1041,5	2,51	8,57	2,16	482,1	2,49	15,77

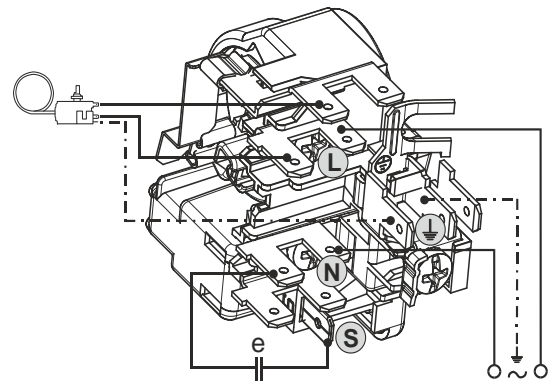
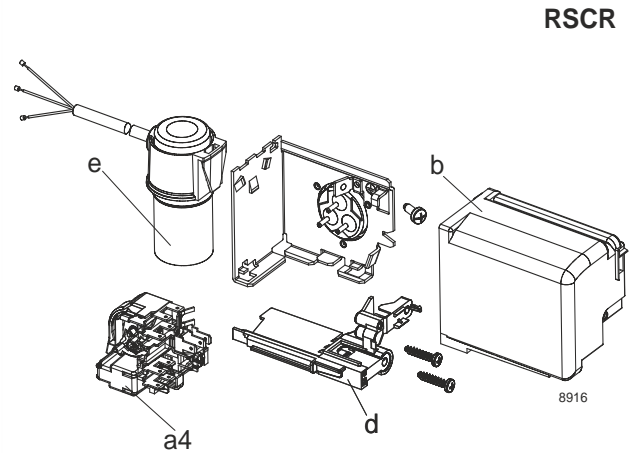
Model

Designation	KLF7.7CNT	208-230V/60Hz	Conf. 4	Sales code:	106H2808
-------------	------------------	----------------------	----------------	-------------	-----------------

Configuration

Motorconfiguration	RSCR
Power supply (nominal)	208-230V/60Hz 1~
Refrigerant	R290
Application	LBP+MBP
Voltage range	198-253V
Starting torque	LST
Approvals	UL

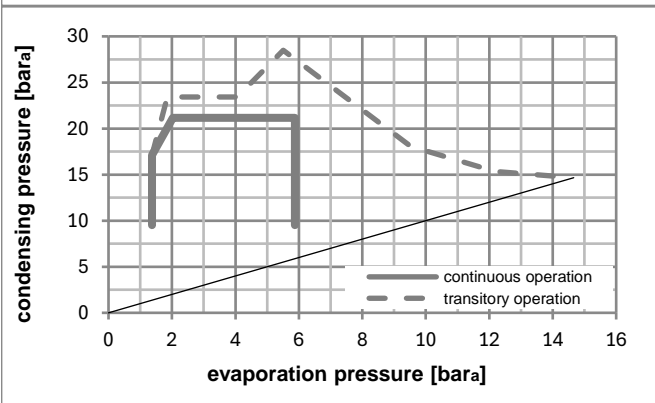
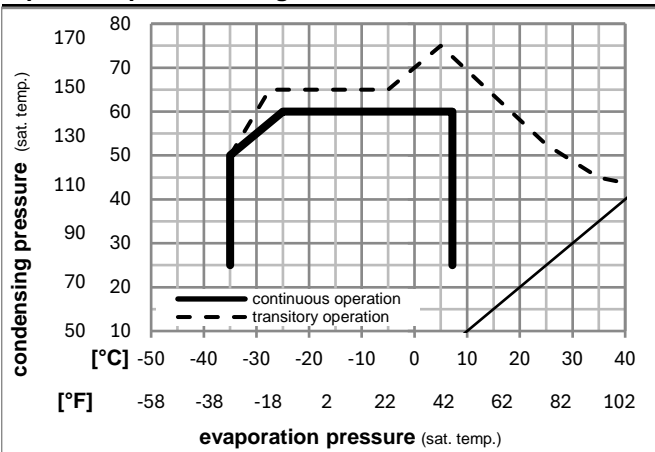
Electrical accessories / wiring diagram



Ambient/ machine room temperatures minimum /maximum

Ambient temperature range:	10 - 43°C / 50 - 110°F
Machine room temperature range:	10 - 48°C / 50 - 119°F
Compressor cooling:	fan 3m/s

Operation pressure range



Components

a4	DAS1 (PTC,6.3mm, T0377/L6 - S1)	103N0250
e	run capacitor (5µF, 6.3mm)	117-7191
b, d	cover + clamp + screws(5VA-compl.)	103N0600

Alternative components

a4	ZAS1 (PTC,4.8mm, T0377/L6 - S1)	103N0252
e	run capacitor (5µF, 4.8mm)	117-7190

b, d	100x cover + clamp + screws(5VA)	103N2060
b, d	cover + clamp + screws(5VA) in bag	103N1060

Model

Designation **KLF7.7CNT** **208-230V/60Hz** Conf. 4 Sales code: **106H2808**

Optimization + standard conditions

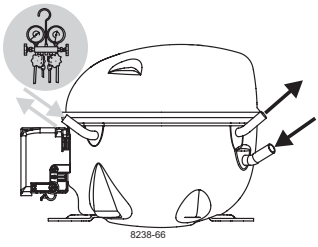
R290, 230V/60Hz, RSCR, fan 3m/s, UL

	Evaporating pressure (saturation temperature)				Condensing pressure (saturation temperature)			COP	EER	Power consumption			ASHRAE LBP	
	pe	pc	RGT	Tliq	[W]	[Btu/h]	[kcal/h]			P1	I	Ref. mass flow		
	[°C]	[°F]	[°C]	[°C]	[W]	[Btu/h]	[kcal/h]	[W/W]	[Btu/Wh]	[kcal/Wh]	[W]	[A]	[kg/h]	
	-23	54	32	32	489,7	1672	421,4	1,72	5,87	1,48	284,7	1,73	4,96	ASHRAE LBP
	-10	130	90	90										
	-25	55	32	55	368,7	1259	317,3	1,34	4,58	1,15	274,9	1,70	4,59	cecomaf LBP
	-13	131	90	131										
	-35	40	20	40	272,8	932	234,8	1,33	4,53	1,14	205,7	1,48	3,12	EN12900 LBP
	-31	104	68	104										
	-7	54	35	46	845,4	2887	727,5	2,20	7,53	1,90	383,6	2,09	9,64	ASHRAE MBP
	20	130	95	115										
	-10	55	32	55	674,9	2305	580,8	1,84	6,28	1,58	366,9	2,03	8,54	cecomaf MBP
	14	131	90	131										
	-10	45	20	45	741,5	2532	638,1	2,22	7,59	1,91	333,4	1,90	9,10	EN12900 MBP
	14	113	68	113										

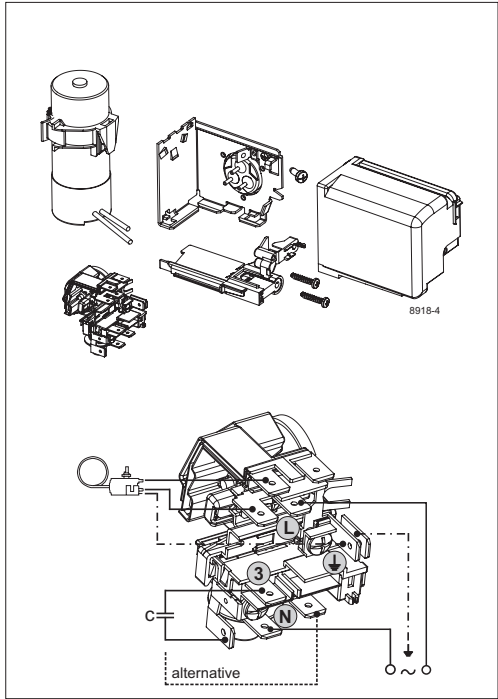
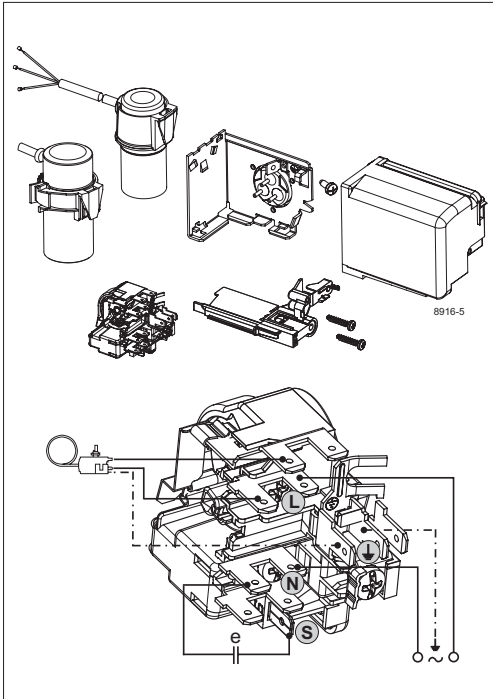
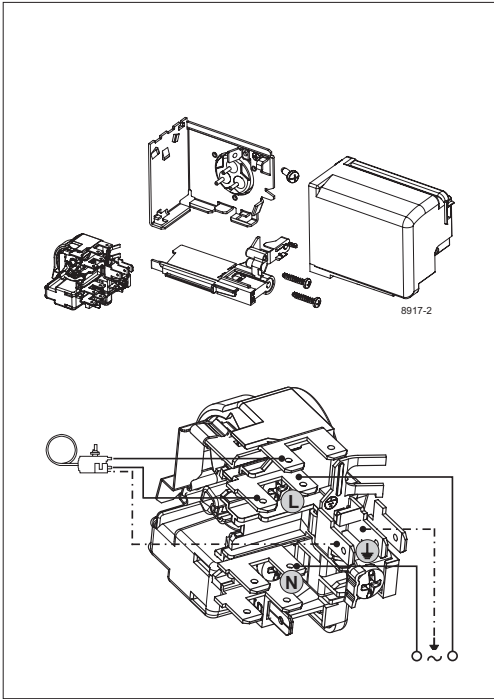
Performance tables

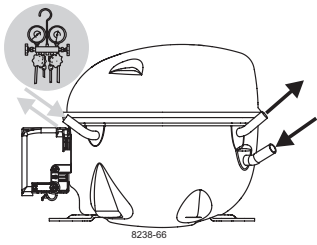
R290, 230V/60Hz, RSCR, fan 3m/s, UL

	pe		Cooling capacity			COP	EER		P1	I	m
	[°C]	[°F]	[W]	[Btu/h]	[kcal/h]	[W/W]	[Btu/Wh]	[kcal/Wh]	[W]	[A]	[kg/h]
[°C / °F]	-35	-31	263,7	901	226,9	1,26	4,29	1,08	209,7	1,50	2,95
cond. pressure	-25	-13	425,2	1452	366,0	1,62	5,52	1,39	263,1	1,66	4,80
pc= 45/113	-15	5	639,6	2184	550,5	2,05	7,01	1,77	311,6	1,82	7,28
return gas temp.	-10	14	771,9	2636	664,3	2,32	7,91	1,99	333,4	1,90	8,83
RGT= 32/90	-5	23	923,7	3155	795,0	2,61	8,93	2,25	353,3	1,98	10,64
liquid temp	0	32	1097,2	3747	944,3	2,96	10,10	2,55	370,9	2,04	12,73
Tliq= 45/113	7,2	45	1389,4	4745	1195,7	3,54	12,10	3,05	392,0	2,13	16,32
[°C / °F]	-35	-31	224,9	768	193,5	1,07	3,65	0,92	210,2	1,49	2,78
cond. pressure	-25	-13	368,7	1259	317,3	1,34	4,58	1,15	274,9	1,70	4,59
pc= 55/131	-15	5	558,0	1906	480,2	1,65	5,65	1,42	337,2	1,92	7,02
return gas temp	-10	14	674,9	2305	580,8	1,84	6,28	1,58	366,9	2,03	8,54
RGT= 32/90	-5	23	809,6	2765	696,7	2,05	7,00	1,76	395,2	2,14	10,31
liquid temp	0	32	964,0	3292	829,6	2,28	7,80	1,97	422,0	2,25	12,38
Tliq= 55/131	7,2	45	1225,5	4185	1054,7	2,68	9,15	2,31	457,3	2,39	15,97



KL Compressors

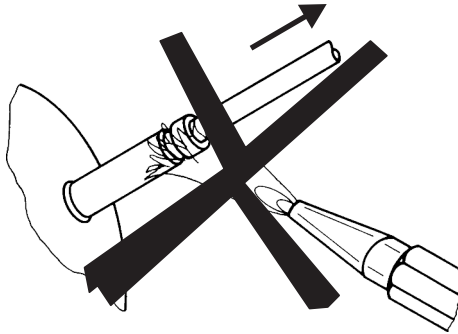




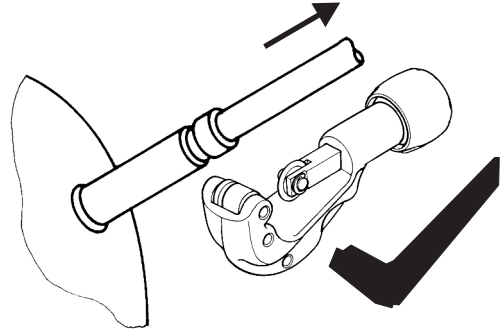
KL Compressors



Service/Repair – R290



8545



Secop accepts no responsibility for possible errors in catalogs, brochures, and other printed material. Secop reserves the right to alter its products without notice. This also applies to products already on order provided that such alterations can be made without subsequent changes being necessary to specifications already agreed. All trademarks in this material are the property of the respective companies. Secop and the Secop logotype are trademarks of Secop GmbH. All rights reserved. www.secop.com