

## Single Pack SCE23MNDX 220-240V 50Hz CSCR

Codice Imballo Singolo: **195B4781**

Posizione	Titolo	Codice	Quantità
1	Compressor SCE23MNDX	104H8300	1
2	Run Capacitor (10 $\mu$ F 450V, 6.3mm)	117-7166	1
3	Starting capacitor (60 $\mu$ F 260V, 6.3mm)	117U5351	1
4	Bolt joint for one compressor   M6   $\varnothing$ 16mm	118-1981	1

Secop GmbH • Lise-Meitner-Straße 29 • 24941 Flensburg, Germany • Tel: +49 46149410 • [www.secop.com](http://www.secop.com)

Secop non si assume alcuna responsabilità per eventuali errori presenti in cataloghi, brochure e altro materiale stampato. Secop si riserva il diritto di modificare i propri prodotti senza preavviso. Ciò vale anche per i prodotti già ordinati, a condizione che tali modifiche possano essere apportate senza che siano necessarie modifiche successive alle specifiche già concordate. Tutti i marchi presenti in questo materiale sono di proprietà delle rispettive aziende. Secop e il logo Secop sono marchi di Secop GmbH. Tutti i diritti sono riservati.

## Model

Designation	<b>SCE23MNDX</b>	220-240V/50Hz 1~	Sales code:	<b>104H8300</b>
-------------	------------------	------------------	-------------	-----------------

## Compressor design

Oil type	Polyolester	Refrigerant(s)	<b>R290</b>
Oil viscosity	32cSt	Displacement	23cm <sup>3</sup> / 1,4cu.in
Oil quantity	500cm <sup>3</sup> / 16,9fl.oz	Compressors on pallet	48
Refr. charge - tech. limit	500g / 17,6oz		
Free gas volume comp.	3150cm <sup>3</sup> / 106,5fl.oz		
Weight	14,9kg / 32,8lbs		
Motor protection	1# internal		
Winding resistance main	2,8Ω (at 25°C)		
Winding resistance aux	10,9Ω (at 25°C)		
Max. winding temp.	125°C / 257°F		
Max. discharge temp.	140°C / 284°F		



## General - Configurations with SCE23MNDX

	<b>Conf. 1</b>
Motorconfiguration	CSCR
Power supply (nominal)	220-240V/50Hz
Number of phases	1
Voltage range	198-254V
Approvals	VDE, CCC, CB
Starting torque	HST
Note	Starter kit(relay), cover and cord relief are included and pre-assembled.

## Applications with SCE23MNDX

	<b>Conf. 1</b>
Refrigerant	R290
Application	MBP
System cooling	fan 3m/s
Hot gas defrost	OK
Long interval pull down	OK

## Electrical data - Configurations with SCE23MNDX

	<b>Conf. 1</b>
Starting device type	relay
Run capacitor	10μF
Start capacitor	60μF
LRA (locked rotor amps / 4s/ U(N))	27,1A
RLA (rated load amps / 1s/ U(N))	4,7A
Cut in current (U(N))	27,1A

## Model

Designation

**SCE23MNDX**

220-240V/50Hz 1~

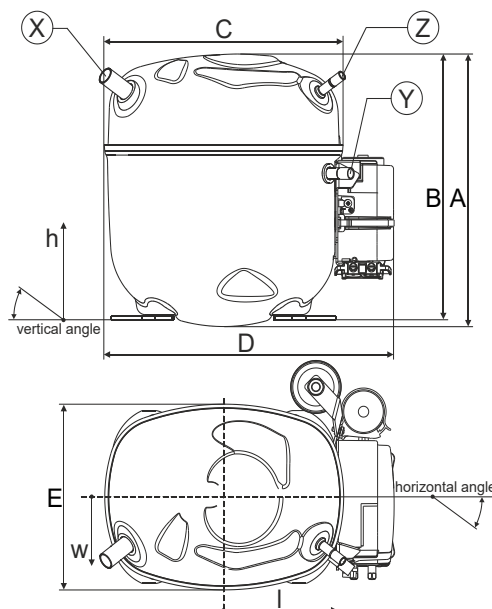
Sales code:

**104H8300**

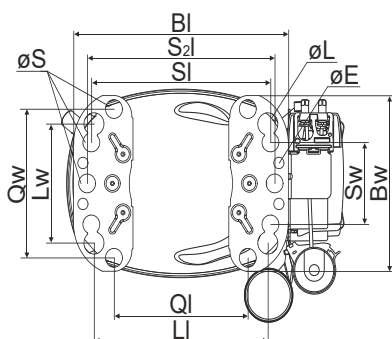
## Compressor dimensions

Housing	A Height	236,4mm / 9,31in
	B Height	230,6mm / 9,08in
	C Length shell	217mm / 8,54in
	D Length w. cover	263,4mm / 10,37in
	E Width	161,1mm / 6,34in
	F Width with equipment	199mm / 7,83in

Connectors	Suction		Discharge		Process	
	X		Y		Z	
Diameter [mm]	øi 12,81-12,99		øi 8,11-8,29		øi 6,11-6,29	
(i:inside, o:outside) [in]	øi 0,5-0,51		øi 0,32-0,33		øi 0,24-0,25	
Material	steel/CU		copper		copper	
Horizontal angle ±2°	37°		37°		37°	
Vertical angle ±2°	36°		0°		36°	
Position l/h/w [mm]	-111/212/57		116/127/81		110/94/72	
[in]	-4,4/8,3/2,2		4,5/5/3,2		4,3/3,7/2,8	
Straight tube l. [mm]	12		12		12	
[in]	0,5		0,5		0,5	

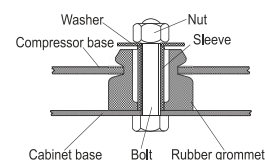


## Compressor fixation

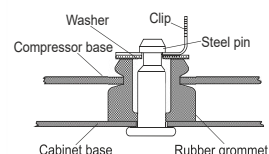


Baseplate	[mm]	[inch]
BI	204	8.03
Bw	150	5.9
øE	ø 9.7	ø 0.38
Large holes		
LI	165	6.5
Lw	101.6	4
øL	ø 19	ø 0.75
Small holes		
SI	170	6.7
Sw	70	2.76
øS	ø 16	ø 0.63
QI	127	5
Qw	127	5

## Bolt joint



## Snap-on



## Mounting accessories

Mounting accessories	one comp.	multi pack
Bolt joint   M6   ø16mm	118-1917	118-1918
Bolt joint   ø1/4"   ø16mm	118-1946	
Bolt joint   ø1/4"   ø19mm	118-1949	
Snap-on   ø7,3   ø16mm	118-1947	118-1919

## Application notes

Provision for PE Grounding is located at the PE Stamp on the compressor

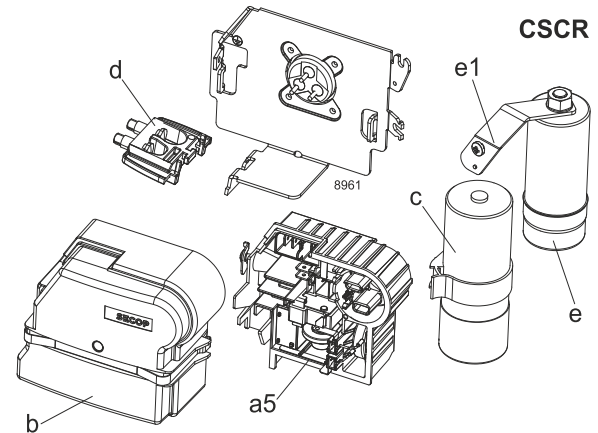
## Model

Designation	<b>SCE23MNDX</b>	<b>220-240V/50Hz</b>	<b>Conf. 1</b>	Sales code:	<b>104H8300</b>
-------------	------------------	----------------------	----------------	-------------	-----------------

## Configuration

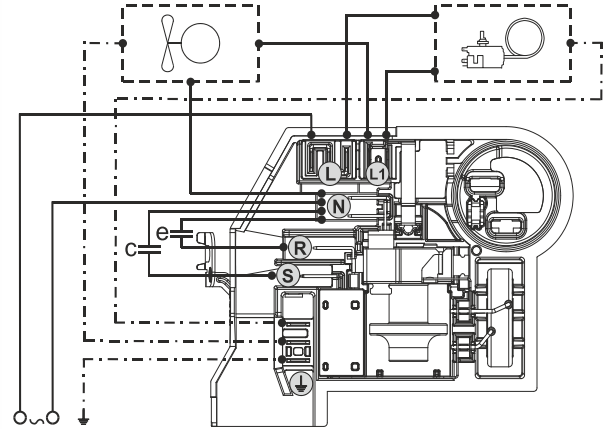
Motorconfiguration	CSCR
Power supply (nominal)	220-240V/50Hz 1~
Refrigerant	R290
Application	MBP
Voltage range	198-254V
Starting torque	HST
Approvals	VDE
	CCC
	CB

## Electrical accessories / wiring diagram

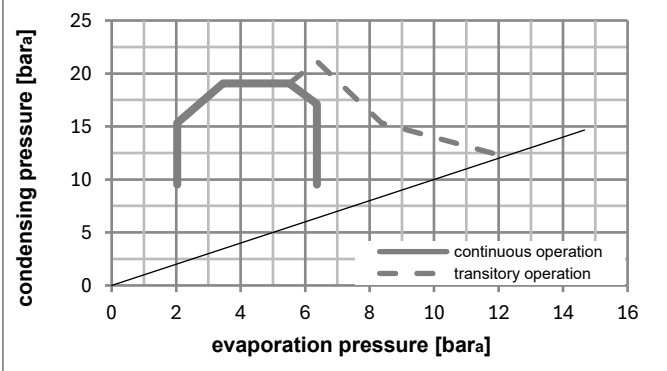
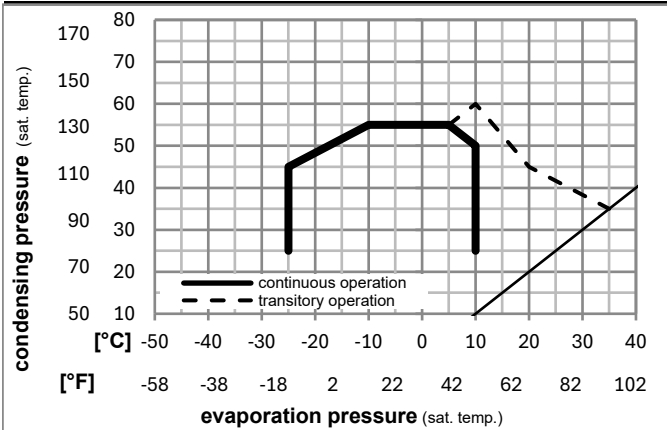


## Ambient/ machine room temperatures minimum /maximum

Ambient temperature range:	10 - 43°C / 50 - 110°F
Machine room temperature range:	10 - 48°C / 50 - 119°F
Compressor cooling:	fan 3m/s



## Operation pressure range



## Components (Starter kit (a5)+cover (b) +cord relief (d): pre assembled)

a5	SC starter kit	117U8100
b	cover terminal board + clamp	117U1036
c	start capacitor (60µF)	117U5351
e	run capacitor (10µF, 6.3mm)	117-7166
e1	retaining clamp	117-0313
	screw M4x8mm	117-0301
d	cord relief	103N1007

## Model

Designation **SCE23MNDX 220-240V/50Hz** Conf. 1 Sales code: **104H8300**

## Optimization + standard conditions

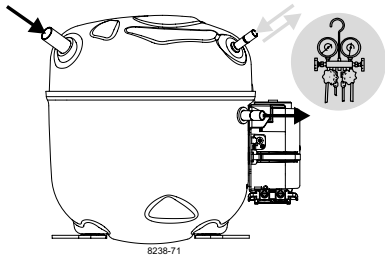
R290, 220V/50Hz, CSCR, fan 3m/s, VDE, CCC, CB

		Evaporating pressure (saturation temperature)				Cooling capacity			COP	EER	Power consumption				
		Condensing pressure (saturation temperature)				Return gas temp.					Current consumption				
		Liquid temp.				Cooling capacity					Ref. mass flow				
		pe	pc	RGT	Tliq	[W]	[Btu/h]	[kcal/h]	[W/W]	[Btu/Wh]	[kcal/Wh]	P1	I	m	
[°C]	[°F]	[°C]	[°F]	[°C]	[°F]	[W]	[Btu/h]	[kcal/h]	[W/W]	[Btu/Wh]	[kcal/Wh]	[W]	[A]	[kg/h]	
-7	20	54	130	35	95	1911,4	6528	1645,0	2,09	7,13	1,80	915,5	4,35	21,80	ASHRAE MBP
-10	14	55	131	32	90	1522,8	5201	1310,5	1,74	5,96	1,50	873,0	4,16	19,26	cecomaf MBP
-10	14	45	113	20	68	1700,6	5808	1463,6	2,13	7,29	1,84	796,8	3,83	20,88	EN12900 MBP
-7	20	49	120	18	65	1801,5	6152	1550,4	2,08	7,12	1,79	864,6	4,12	23,39	ARI540 MBP
-10	14	45	113	32	90	1770,4	6046	1523,7	2,22	7,59	1,91	796,8	3,83	20,25	opt
-25	-13	45	113	32	90	971,2	3317	835,8	1,59	5,44	1,37	609,2	3,05	10,95	opt

## Performance tables

R290, 220V/50Hz, CSCR, fan 3m/s, VDE, CCC, CB

	pe		Cooling capacity			COP	EER	P1	I	m	
	[°C]	[°F]	[W]	[Btu/h]	[kcal/h]	[W/W]	[Btu/Wh]	[kcal/Wh]	[W]	[A]	[kg/h]
[°C / °F]	-20	-4	1207,6	4124	1039,3	1,79	6,12	1,54	674,2	3,31	13,67
cond. pressure	-20	-4	1207,6	4124	1039,3	1,79	6,12	1,54	674,2	3,31	13,67
pc= 45/113	-15	5	1471,0	5024	1266,0	1,99	6,81	1,72	737,5	3,58	16,74
return gas temp.	-10	14	1770,4	6046	1523,7	2,22	7,59	1,91	796,8	3,83	20,25
RGT= 32/90	0	32	2513,1	8583	2162,8	2,81	9,59	2,42	894,9	4,26	29,15
liquid temp	5	41	2974,3	10158	2559,7	3,20	10,93	2,75	929,4	4,41	34,80
Tliq= 45/113	10	50	3507,3	11978	3018,5	3,69	12,59	3,17	951,2	4,51	41,44
[°C / °F]	-20	-4	1016,9	3473	875,2	1,41	4,83	1,22	719,1	3,50	12,72
cond. pressure	-20	-4	1016,9	3473	875,2	1,41	4,83	1,22	719,1	3,50	12,72
pc= 55/131	-15	5	1255,3	4287	1080,3	1,57	5,38	1,35	797,3	3,83	15,78
return gas temp	-10	14	1522,8	5201	1310,5	1,74	5,96	1,50	873,0	4,16	19,26
RGT= 32/90	0	32	2181,1	7449	1877,1	2,16	7,39	1,86	1008,3	4,76	28,01
liquid temp	5	41	2589,8	8845	2228,8	2,43	8,32	2,10	1063,6	5,01	33,58
Tliq= 55/131	10	50	3063,5	10463	2636,5	2,77	9,45	2,38	1107,7	5,21	40,17

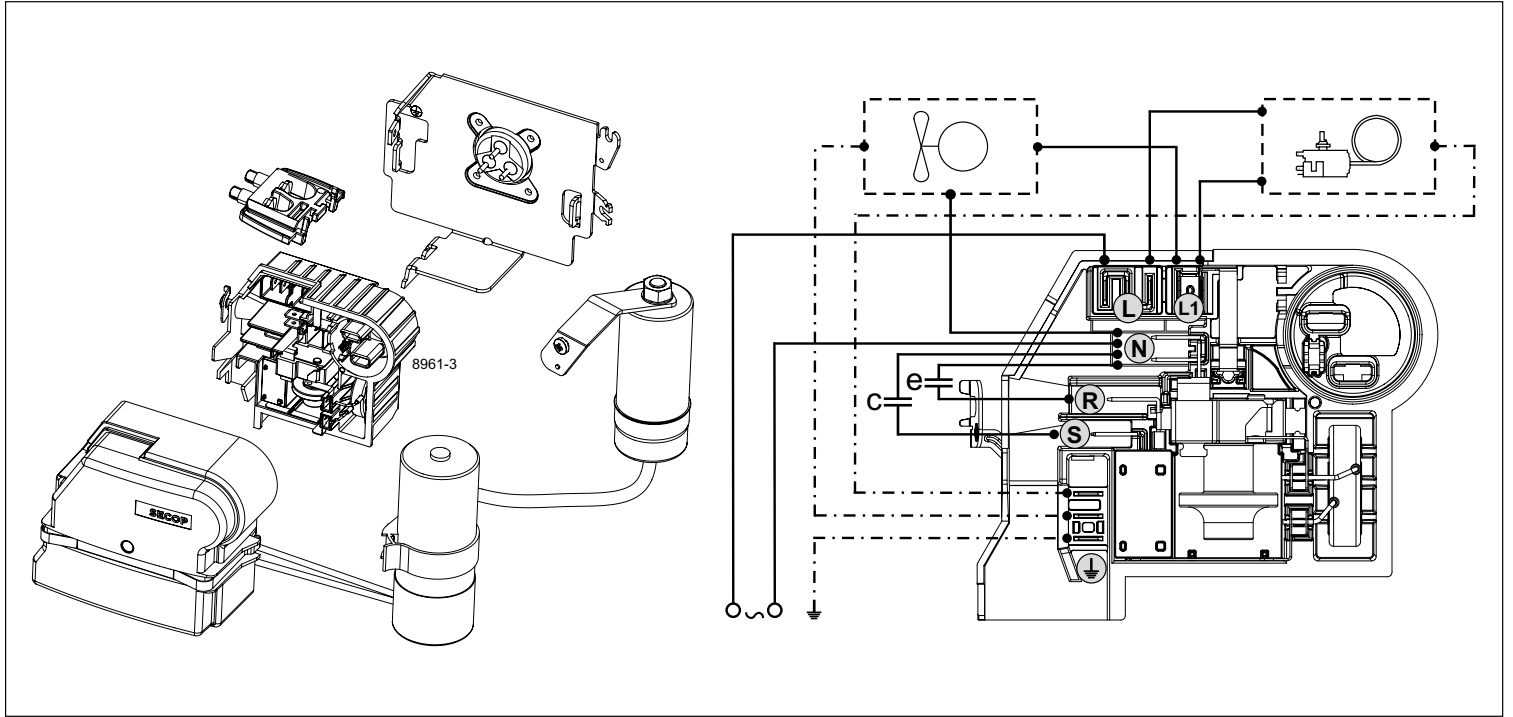


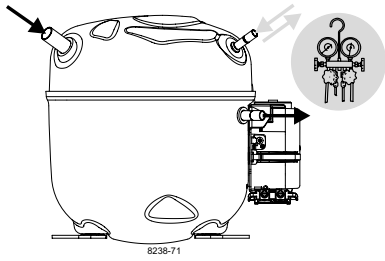
8238-71

# SCE Plus Compressors

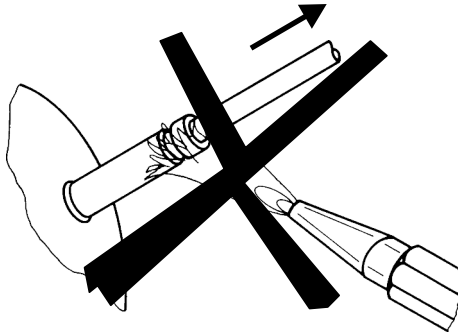
# SECCP

Keep electrical equipment clear from oil, chemicals, and water

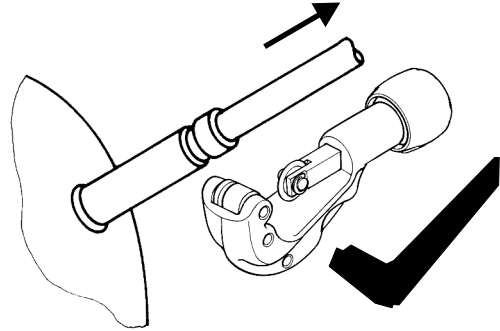




# SCE Plus Compressors



8545



Secop accepts no responsibility for possible errors in catalogs, brochures, and other printed material. Secop reserves the right to alter its products without notice. This also applies to products already on order provided that such alterations can be made without subsequent changes being necessary to specifications already agreed. All trademarks in this material are the property of the respective companies. Secop and the Secop logotype are trademarks of Secop GmbH. All rights reserved. [www.secop.com](http://www.secop.com)