

Single Pack SC15G 220-240V 50Hz / 208-230V 60Hz CSIR

Single pack code number: **195B4017**

| Position | Title | Code | Amount |
|----------|---|----------|--------|
| 1 | Compressor SC15G | 104G8520 | 1 |
| 2 | Starting relay | 117U6005 | 1 |
| 3 | Starting capacitor (80 μ F 220V, 6.3mm) | 117U5017 | 1 |
| 4 | Cord relief | 103N1004 | 1 |
| 5 | Cover | 103N2009 | 1 |
| 6 | Bolt joint for one compressor M6 \varnothing 16mm | 118-1917 | 1 |

Secop GmbH • Lise-Meitner-Straße 29 • 24941 Flensburg, Germany • Tel: +49 461 4941 0 • www.secop.com

Secop accepts no responsibility for possible errors in catalogs, brochures, and other printed material. Secop reserves the right to alter its products without notice. This also applies to products already on order provided that such alterations can be made without subsequent changes being necessary to specifications already agreed. All trademarks in this material are the property of the respective companies. Secop and the Secop logotype are trademarks of Secop GmbH. All rights reserved.

Model

| | | | | |
|-------------|--------------|-----------------------------------|-------------|-----------------|
| Designation | SC15G | 220-240V/50Hz 1~ 208-230V/60Hz 1~ | Sales code: | 104G8520 |
|-------------|--------------|-----------------------------------|-------------|-----------------|

Compressor design

| | | | |
|----------------------------|---------------------------------|-----------------------|----------------------------------|
| Oil type | Polyolester | Refrigerant(s) | R134a, R513A |
| Oil viscosity | 22cST | Displacement | 15,28cm ³ / 0,93cu.in |
| Oil quantity | 507cm ³ / 17,1fl.oz | Compressors on pallet | 80 |
| Refr. charge - tech. limit | 1300g / 45,9oz | | |
| Free gas volume comp. | 1410cm ³ / 47,7fl.oz | | |
| Weight | 13,2kg / 29,1lbs | | |
| Motor protection | 1# internal | | |
| Winding resistance main | 5,13Ω (at 25°C) | | |
| Winding resistance aux | 13,51Ω (at 25°C) | | |
| Max. winding temp. | 125°C / 257°F | | |
| Max. discharge temp. | 130°C / 266°F | | |



General - Configurations with SC15G

| | Conf. 1 | Conf. 2 | Conf. 3 | Conf. 4 |
|------------------------|-------------------|-------------------|----------------|----------------|
| Motorconfiguration | CSIR | CSIR | CSIR | CSIR |
| Power supply (nominal) | 220-240V/50Hz | 208-230V/60Hz | 220-240V/50Hz | 208-230V/60Hz |
| Number of phases | 1 | 1 | 1 | 1 |
| Voltage range | 187-254V | 198-254V | 187-254V | 198-254V |
| Approvals | VDE, CCC, EAC, KC | VDE, CCC, EAC, KC | VDE, CCC, UL | VDE, CCC, UL |
| Starting torque | HST | HST | HST | HST |
| Note | - / - | | | |

Applications with SC15G

| | Conf. 1 | Conf. 2 | Conf. 3 | Conf. 4 |
|-------------------------|----------------|----------------|----------------|----------------|
| Refrigerant | R134a | R134a | R513A | R513A |
| Application | LBP+MBP+HBP | LBP | LBP+MBP+HBP | LBP |
| System cooling | fan 3m/s | fan 3m/s | fan 3m/s | fan 3m/s |
| Hot gas defrost | OK | OK | OK | OK |
| Long interval pull down | OK | OK | OK | OK |

Electrical data - Configurations with SC15G

| | Conf. 1 | Conf. 2 | Conf. 3 | Conf. 4 |
|------------------------------|----------------|----------------|----------------|----------------|
| Starting device type | relay | relay | relay | relay |
| Run capacitor | - / - | - / - | - / - | - / - |
| Start capacitor | 80μF | 80μF | 80μF | 80μF |
| LRA (locked rotor amps / 4s) | 16,2A | 15,6A | 16,2A | 15,6A |
| RLA (rated load amps / 1s) | 3,1A | 2,8A | 3,1A | 2,8A |
| Cut in current | 16,2A | 15,6A | 16,2A | 15,6A |

Model

Designation

SC15G

220-240V/50Hz 1~ 208-230V/60Hz 1~

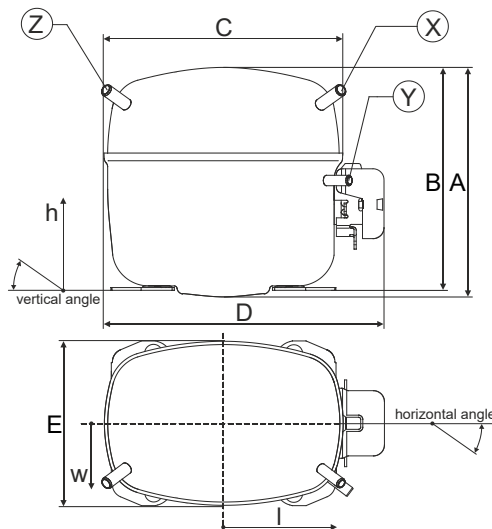
Sales code:

104G8520

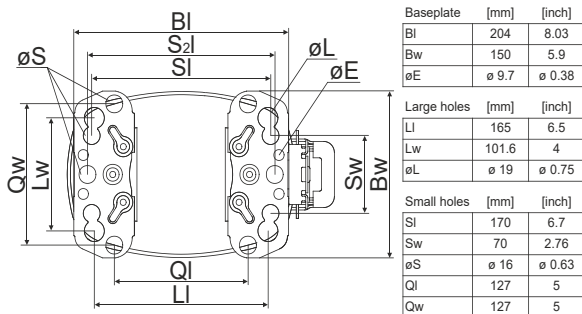
Compressor dimensions

| | | |
|----------------|-------------------|-----------------|
| Housing | A Height | 209mm / 8,23in |
| | B Height | 203mm / 7,99in |
| | C Length shell | 218mm / 8,58in |
| | D Length w. cover | 255mm / 10,04in |
| | E Width | 151mm / 5,94in |

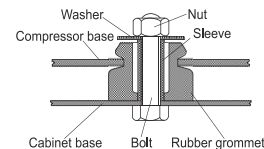
| Connectors | Suction X | Discharge Y | Process Z |
|----------------------------|----------------|----------------|--------------|
| Diameter [mm] | øi 10,11-10,29 | øi 6,11-6,29 | øi 6,11-6,29 |
| (i:inside, o:outside) [in] | øi 0,4-0,41 | øi 0,24-0,25 | øi 0,24-0,25 |
| Material | copper | copper | copper |
| Horizontal angle ±2° | 37° | 37° | 143° |
| Vertical angle ±2° | 30° | 0° | 150° |
| Position l/h/w [mm] | 107/183/55 | 115/100/63 | -107/183/55 |
| [in] | 4,2/7,2/2,2 | 4,5/3,9/2,5 | -4,2/7,2/2,2 |
| Straight tube l. [mm] | 12 | 12 | 12 |
| [in] | 0,5 | 0,5 | 0,5 |



Compressor fixation



Bolt joint



Snap-on



Mounting accessories

| Mounting accessories | one comp. | multi pack |
|----------------------------|-----------|------------|
| Bolt joint M6 ø16mm | 118-1917 | 118-1918 |
| Bolt joint ø1/4" ø16mm | 118-1946 | |
| Bolt joint ø1/4" ø19mm | 118-1949 | |
| Snap-on ø7,3 ø16mm | 118-1947 | 118-1919 |

Application notes

Operation possible until tilted up to 3 degrees

Provision for PE Grounding is located at the PE Stamp on the compressor

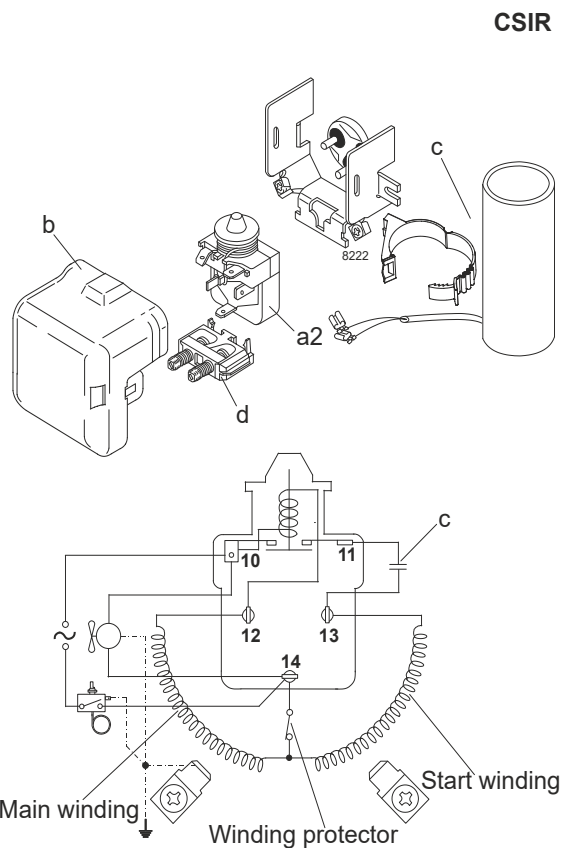
Model

| | | | | | |
|-------------|--------------|----------------------|----------------|-------------|-----------------|
| Designation | SC15G | 220-240V/50Hz | Conf. 1 | Sales code: | 104G8520 |
|-------------|--------------|----------------------|----------------|-------------|-----------------|

Configuration

| | |
|------------------------|-------------------------|
| Motorconfiguration | CSIR |
| Power supply (nominal) | 220-240V/50Hz 1~ |
| Refrigerant | R134a |
| Application | LBP+MBP+HBP |
| Voltage range | 187-254V |
| Starting torque | HST |
| Approvals | VDE CCC EAC KC |

Electrical accessories / wiring diagram

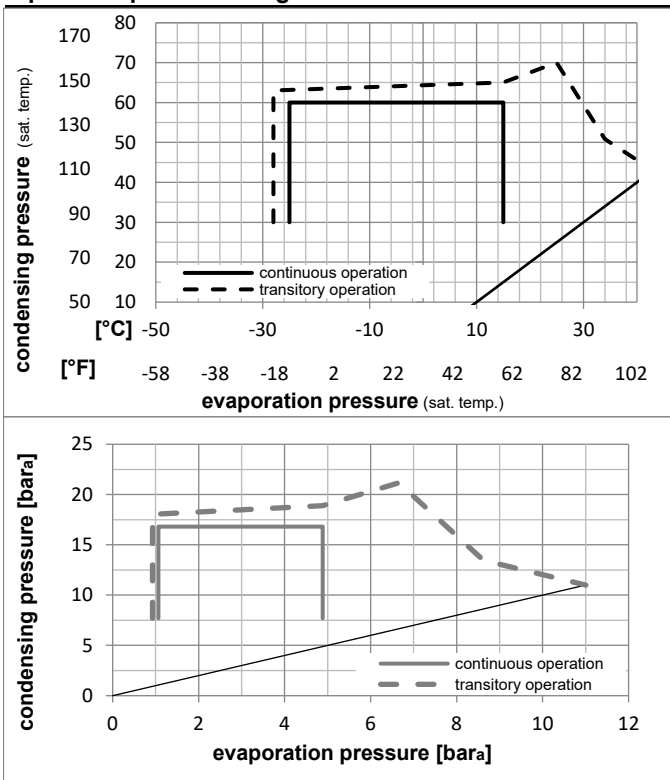


Ambient/ machine room temperatures minimum /maximum

| | |
|---------------------------------|------------------------|
| Ambient temperature range: | 10 - 43°C / 50 - 110°F |
| Machine room temperature range: | 10 - 48°C / 50 - 119°F |
| Compressor cooling: | fan 3m/s |

Operation Limits

Operation pressure range



Components

| | | |
|----|------------------------|----------|
| a2 | relay | 117U6005 |
| c | start capacitor (80μF) | 117U5017 |
| d | cord relief | 103N1004 |
| b | plastic cover | 103N2009 |

Model

| | | | | | |
|-------------|--------------|----------------------|----------------|-------------|-----------------|
| Designation | SC15G | 220-240V/50Hz | Conf. 1 | Sales code: | 104G8520 |
|-------------|--------------|----------------------|----------------|-------------|-----------------|

Optimization + standard conditions

R134a, 220V/50Hz, CSIR, fan 3m/s, VDE, CCC, EAC, KC

| | Evaporating pressure (saturation temperature) | | | | Condensing pressure (saturation temperature) | | | Return gas temp. | Liquid temp. | Cooling capacity | COP | EER | Power consumption | | | ASHRAE LBP |
|------|---|-----|-----|------|--|---------|----------|------------------|--------------|------------------|-------|------|-------------------|-------------|----------------|------------|
| | pe | pc | RGT | Tliq | [W] | [Btu/h] | [kcal/h] | | | | | | P1 | I | Ref. mass flow | |
| [°C] | | | | | | | | | | | | | | | | |
| [°F] | | | | | | | | | | | | | | | | |
| | -23 | 54 | 32 | 32 | 303,8 | 1037 | 261,4 | 1,10 | 3,76 | 0,95 | 275,6 | 2,27 | 5,90 | ASHRAE LBP | | |
| | -10 | 130 | 90 | 90 | | | | | | | | | | | | |
| | -25 | 55 | 32 | 55 | 214,0 | 731 | 184,2 | 0,83 | 2,83 | 0,71 | 257,9 | 2,21 | 5,12 | cecomaf LBP | | |
| | -13 | 131 | 90 | 131 | | | | | | | | | | | | |
| | -35 | 40 | 20 | 40 | 141,4 | 483 | 121,7 | 0,76 | 2,61 | 0,66 | 185,0 | 1,95 | 3,10 | EN12900 LBP | | |
| | -31 | 104 | 68 | 104 | | | | | | | | | | | | |
| | -7 | 54 | 35 | 46 | 742,4 | 2535 | 638,9 | 1,57 | 5,35 | 1,35 | 474,1 | 2,91 | 16,20 | ASHRAE MBP | | |
| | 20 | 130 | 95 | 115 | | | | | | | | | | | | |
| | -10 | 55 | 32 | 55 | 566,0 | 1933 | 487,1 | 1,30 | 4,43 | 1,12 | 436,2 | 2,78 | 13,69 | cecomaf MBP | | |
| | 14 | 131 | 90 | 131 | | | | | | | | | | | | |
| | -10 | 45 | 20 | 45 | 644,4 | 2201 | 554,6 | 1,58 | 5,41 | 1,36 | 407,1 | 2,66 | 15,08 | EN12900 MBP | | |
| | 14 | 113 | 68 | 113 | | | | | | | | | | | | |

Performance tables

R134a, 220V/50Hz, CSIR, fan 3m/s, VDE, CCC, EAC, KC

| | pe | | Cooling capacity | | | COP | EER | P1 | I | m | |
|------------------|------|------|------------------|---------|----------|-------|----------|-----------|-------|------|--------|
| | [°C] | [°F] | [W] | [Btu/h] | [kcal/h] | [W/W] | [Btu/Wh] | [kcal/Wh] | [W] | [A] | [kg/h] |
| [°C / °F] | -25 | -13 | 271,8 | 928 | 233,9 | 1,08 | 3,70 | 0,93 | 250,9 | 2,19 | 5,89 |
| cond. pressure | -20 | -4 | 380,2 | 1299 | 327,2 | 1,27 | 4,34 | 1,09 | 299,3 | 2,34 | 8,26 |
| pc= 45/113 | -10 | 14 | 668,5 | 2283 | 575,3 | 1,64 | 5,61 | 1,41 | 407,1 | 2,66 | 14,63 |
| return gas temp. | -5 | 23 | 850,8 | 2906 | 732,2 | 1,84 | 6,30 | 1,59 | 461,2 | 2,83 | 18,71 |
| RGT= 32/90 | 0 | 32 | 1060,1 | 3620 | 912,3 | 2,07 | 7,07 | 1,78 | 511,9 | 3,01 | 23,44 |
| liquid temp | 5 | 41 | 1297,5 | 4431 | 1116,7 | 2,33 | 7,96 | 2,01 | 556,4 | 3,19 | 28,89 |
| Tliq= 45/113 | 15 | 59 | 1861,9 | 6359 | 1602,4 | 3,02 | 10,32 | 2,60 | 616,3 | 3,59 | 42,17 |
| [°C / °F] | -25 | -13 | 214,0 | 731 | 184,2 | 0,83 | 2,83 | 0,71 | 257,9 | 2,21 | 5,12 |
| cond. pressure | -20 | -4 | 311,8 | 1065 | 268,4 | 0,99 | 3,38 | 0,85 | 314,8 | 2,40 | 7,48 |
| pc= 55/131 | -10 | 14 | 566,0 | 1933 | 487,1 | 1,30 | 4,43 | 1,12 | 436,2 | 2,78 | 13,69 |
| return gas temp | -5 | 23 | 724,9 | 2476 | 623,8 | 1,46 | 5,00 | 1,26 | 495,4 | 2,99 | 17,62 |
| RGT= 32/90 | 0 | 32 | 906,4 | 3096 | 780,1 | 1,65 | 5,63 | 1,42 | 550,0 | 3,20 | 22,17 |
| liquid temp | 5 | 41 | 1111,9 | 3797 | 956,9 | 1,86 | 6,36 | 1,60 | 597,2 | 3,42 | 27,40 |
| Tliq= 55/131 | 15 | 59 | 1599,5 | 5463 | 1376,6 | 2,43 | 8,29 | 2,09 | 659,0 | 3,88 | 40,18 |

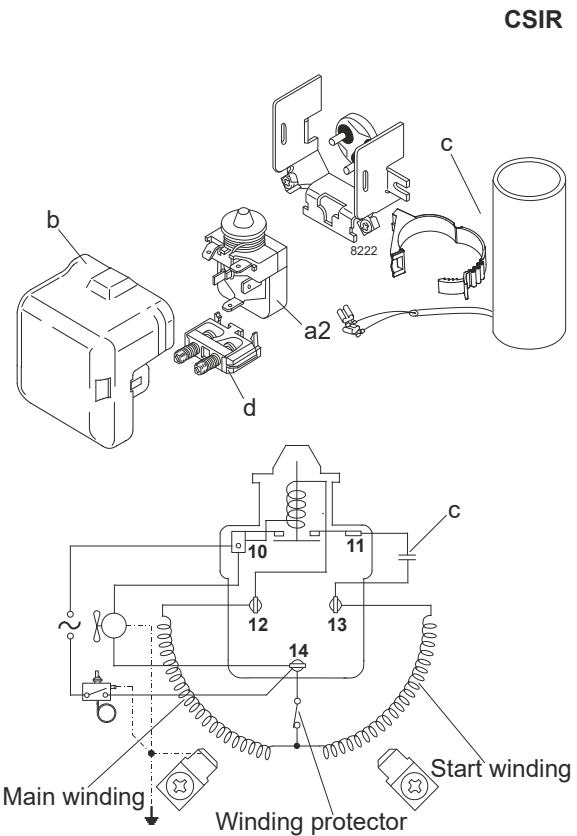
Model

| | | | | | |
|-------------|--------------|----------------------|----------------|-------------|-----------------|
| Designation | SC15G | 208-230V/60Hz | Conf. 2 | Sales code: | 104G8520 |
|-------------|--------------|----------------------|----------------|-------------|-----------------|

Configuration

| | |
|------------------------|-------------------------|
| Motorconfiguration | CSIR |
| Power supply (nominal) | 208-230V/60Hz 1~ |
| Refrigerant | R134a |
| Application | LBP |
| Voltage range | 198-254V |
| Starting torque | HST |
| Approvals | VDE CCC EAC KC |

Electrical accessories / wiring diagram

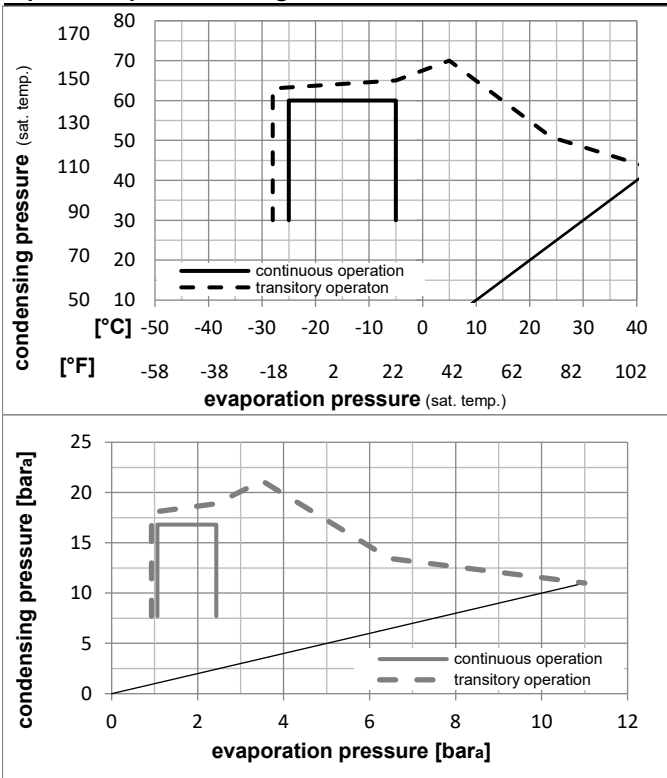


Ambient/ machine room temperatures minimum /maximum

| | |
|---------------------------------|------------------------|
| Ambient temperature range: | 10 - 43°C / 50 - 110°F |
| Machine room temperature range: | 10 - 48°C / 50 - 119°F |
| Compressor cooling: | fan 3m/s |

Operation Limits

Operation pressure range



Components

| | | |
|----|------------------------|----------|
| a2 | relay | 117U6005 |
| c | start capacitor (80μF) | 117U5017 |
| d | cord relief | 103N1004 |
| b | plastic cover | 103N2009 |

Model

Designation **SC15G** **208-230V/60Hz** Conf. 2 Sales code: **104G8520**

Optimization + standard conditions

R134a, 230V/60Hz, CSIR, fan 3m/s, VDE, CCC, EAC, KC

| | | Evaporating pressure (saturation temperature) | | | | Condensing pressure (saturation temperature) | | | | | | Power consumption | | | |
|------|------|---|------|--------------|-------|--|---------|----------|-------|----------|-----------|---------------------|-------|----------------|--|
| | | Return gas temp. | | Liquid temp. | | Cooling capacity | | | COP | EER | | Current consumption | | Ref. mass flow | |
| | | pe | pc | RGT | Tliq | [W] | [Btu/h] | [kcal/h] | [W/W] | [Btu/Wh] | [kcal/Wh] | P1 | I | m | |
| [°C] | [°F] | [°C] | [°F] | [°C] | [°F] | | | | | | | [W] | [A] | [kg/h] | |
| [°C] | -23 | 54 | 32 | 32 | 370,0 | 1264 | 318,4 | 1,07 | 3,64 | 0,92 | 347,0 | 2,03 | 7,18 | ASHRAE LBP | |
| [°F] | -10 | 130 | 90 | 90 | | | | | | | | | | | |
| [°C] | -25 | 55 | 32 | 55 | 262,0 | 895 | 225,5 | 0,79 | 2,71 | 0,68 | 330,2 | 1,99 | 6,27 | cecomaf LBP | |
| [°F] | -13 | 131 | 90 | 131 | | | | | | | | | | | |
| [°C] | -35 | 40 | 20 | 40 | 167,8 | 573 | 144,4 | 0,94 | 3,22 | 0,81 | 177,9 | 1,56 | 3,68 | EN12900 LBP | |
| [°F] | -31 | 104 | 68 | 104 | | | | | | | | | | | |
| [°C] | -7 | 54 | 35 | 46 | 884,5 | 3021 | 761,2 | 1,64 | 5,59 | 1,41 | 540,7 | 2,73 | 19,30 | ASHRAE MBP | |
| [°F] | 20 | 130 | 95 | 115 | | | | | | | | | | | |
| [°C] | -10 | 55 | 32 | 55 | 677,1 | 2312 | 582,7 | 1,34 | 4,57 | 1,15 | 505,6 | 2,59 | 16,37 | cecomaf MBP | |
| [°F] | 14 | 131 | 90 | 131 | | | | | | | | | | | |
| [°C] | -10 | 45 | 20 | 45 | 784,8 | 2680 | 675,4 | 1,69 | 5,76 | 1,45 | 465,6 | 2,47 | 18,37 | EN12900 MBP | |
| [°F] | 14 | 113 | 68 | 113 | | | | | | | | | | | |

Performance tables

R134a, 230V/60Hz, CSIR, fan 3m/s, VDE, CCC, EAC, KC

| | pe | | Cooling capacity | | | COP | EER | P1 | I | m | |
|------------------|------|------|------------------|---------|----------|-------|----------|-----------|-------|------|--------|
| | [°C] | [°F] | [W] | [Btu/h] | [kcal/h] | [W/W] | [Btu/Wh] | [kcal/Wh] | [W] | [A] | [kg/h] |
| [°C / °F] | -25 | -13 | 346,8 | 1184 | 298,5 | 1,15 | 3,94 | 0,99 | 300,8 | 1,90 | 7,51 |
| cond. pressure | -23 | -10 | 389,3 | 1330 | 335,1 | 1,22 | 4,16 | 1,05 | 319,8 | 1,96 | 8,44 |
| pc= 45/113 | -20 | -4 | 479,5 | 1638 | 412,7 | 1,34 | 4,59 | 1,16 | 356,7 | 2,08 | 10,42 |
| return gas temp. | -18 | 0 | 545,3 | 1862 | 469,3 | 1,43 | 4,89 | 1,23 | 381,1 | 2,17 | 11,86 |
| RGT= 32/90 | -15 | 5 | 635,4 | 2170 | 546,9 | 1,54 | 5,27 | 1,33 | 411,9 | 2,27 | 13,85 |
| liquid temp | -10 | 14 | 814,2 | 2781 | 700,7 | 1,75 | 5,97 | 1,51 | 465,6 | 2,47 | 17,82 |
| Tliq= 45/113 | -5 | 23 | 1015,5 | 3468 | 874,0 | 1,97 | 6,71 | 1,69 | 516,6 | 2,67 | 22,33 |
| [°C / °F] | -25 | -13 | 262,0 | 895 | 225,5 | 0,79 | 2,71 | 0,68 | 330,2 | 1,99 | 6,27 |
| cond. pressure | -23 | -10 | 298,2 | 1018 | 256,6 | 0,85 | 2,91 | 0,73 | 349,7 | 2,05 | 7,14 |
| pc= 55/131 | -20 | -4 | 376,5 | 1286 | 324,0 | 0,97 | 3,31 | 0,83 | 388,0 | 2,17 | 9,03 |
| return gas temp | -18 | 0 | 434,4 | 1484 | 373,9 | 1,05 | 3,59 | 0,90 | 413,8 | 2,25 | 10,44 |
| RGT= 32/90 | -15 | 5 | 514,9 | 1759 | 443,1 | 1,15 | 3,94 | 0,99 | 446,8 | 2,37 | 12,40 |
| liquid temp | -10 | 14 | 677,1 | 2312 | 582,7 | 1,34 | 4,57 | 1,15 | 505,6 | 2,59 | 16,37 |
| Tliq= 55/131 | -5 | 23 | 862,5 | 2946 | 742,3 | 1,53 | 5,23 | 1,32 | 563,3 | 2,82 | 20,97 |

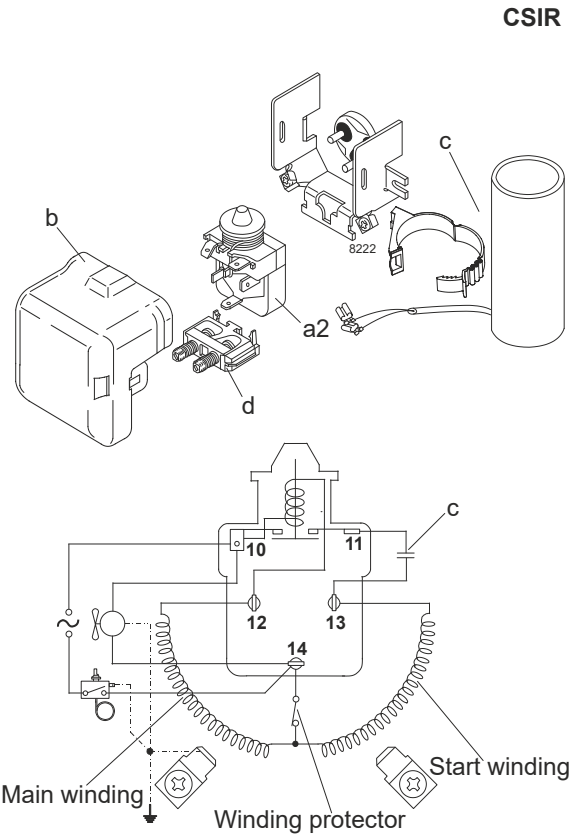
Model

| | | | | | |
|-------------|--------------|----------------------|----------------|-------------|-----------------|
| Designation | SC15G | 220-240V/50Hz | Conf. 3 | Sales code: | 104G8520 |
|-------------|--------------|----------------------|----------------|-------------|-----------------|

Configuration

| | |
|------------------------|------------------|
| Motorconfiguration | CSIR |
| Power supply (nominal) | 220-240V/50Hz 1~ |
| Refrigerant | R513A |
| Application | LBP+MBP+HBP |
| Voltage range | 187-254V |
| Starting torque | HST |
| Approvals | VDE CCC UL |

Electrical accessories / wiring diagram

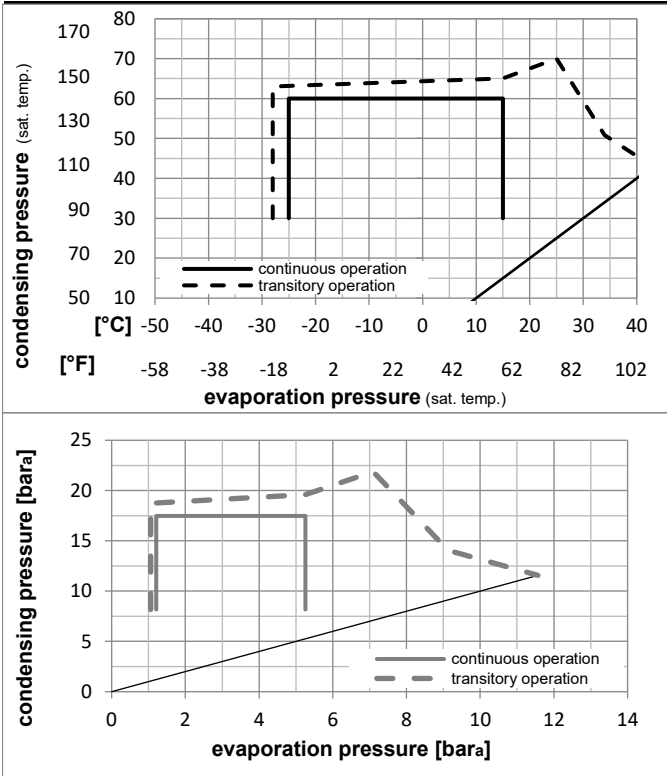


Ambient/ machine room temperatures minimum /maximum

| | |
|---------------------------------|------------------------|
| Ambient temperature range: | 10 - 43°C / 50 - 110°F |
| Machine room temperature range: | 10 - 48°C / 50 - 119°F |
| Compressor cooling: | fan 3m/s |

Operation Limits

Operation pressure range



Components

| | | |
|----|------------------------|----------|
| a2 | relay | 117U6005 |
| c | start capacitor (80μF) | 117U5017 |
| d | cord relief | 103N1004 |
| b | plastic cover | 103N2009 |

Model

Designation **SC15G** **220-240V/50Hz** Conf. 3 Sales code: **104G8520**

Optimization + standard conditions

R513A, 220V/50Hz, CSIR, fan 3m/s, VDE, CCC, UL

| | | Evaporating pressure (saturation temperature) | | | Condensing pressure (saturation temperature) | | | Return gas temp. | | | Liquid temp. | | | Cooling capacity | | | COP | EER | Power consumption | | |
|------|------|---|-----|-------|--|-------|---------|------------------|-------|----------|--------------|-------|-------------|------------------|-----|-----|--------|---------------------|-------------------|--|--|
| | | pe | pc | RGT | Tliq | [W] | [Btu/h] | [kcal/h] | [W/W] | [Btu/Wh] | [kcal/Wh] | P1 | I | m | [W] | [A] | [kg/h] | Current consumption | | | |
| [°C] | [°F] | | | | | | | | | | | | | | | | | | | | |
| -23 | 54 | 32 | 32 | 338,2 | 1155 | 291,1 | 1,13 | 3,87 | 0,98 | 298,2 | 2,70 | 7,28 | ASHRAE LBP | | | | | | | | |
| -10 | 130 | 90 | 90 | | | | | | | | | | | | | | | | | | |
| -25 | 55 | 32 | 55 | 232,3 | 793 | 199,9 | 0,83 | 2,84 | 0,71 | 279,8 | 2,67 | 6,36 | cecomaf LBP | | | | | | | | |
| -13 | 131 | 90 | 131 | | | | | | | | | | | | | | | | | | |
| -35 | 40 | 20 | 40 | 158,9 | 543 | 136,8 | 0,80 | 2,72 | 0,69 | 199,3 | 2,60 | 3,93 | EN12900 LBP | | | | | | | | |
| -31 | 104 | 68 | 104 | | | | | | | | | | | | | | | | | | |
| -7 | 54 | 35 | 46 | 780,5 | 2666 | 671,7 | 1,55 | 5,30 | 1,34 | 502,5 | 3,26 | 19,12 | ASHRAE MBP | | | | | | | | |
| 20 | 130 | 95 | 115 | | | | | | | | | | | | | | | | | | |
| -10 | 55 | 32 | 55 | 588,4 | 2010 | 506,4 | 1,27 | 4,33 | 1,09 | 464,2 | 3,14 | 16,27 | cecomaf MBP | | | | | | | | |
| 14 | 131 | 90 | 131 | | | | | | | | | | | | | | | | | | |
| -10 | 45 | 20 | 45 | 674,4 | 2303 | 580,4 | 1,56 | 5,33 | 1,34 | 431,8 | 3,04 | 17,87 | EN12900 MBP | | | | | | | | |
| 14 | 113 | 68 | 113 | | | | | | | | | | | | | | | | | | |

Performance tables

R513A, 220V/50Hz, CSIR, fan 3m/s, VDE, CCC, UL

| | pe | | Cooling capacity | | | COP | EER | P1 | | | I | m |
|------------------|------|------|------------------|---------|----------|-------|----------|-----------|-------|------|--------|---|
| | [°C] | [°F] | [W] | [Btu/h] | [kcal/h] | [W/W] | [Btu/Wh] | [kcal/Wh] | [W] | [A] | [kg/h] | |
| [°C / °F] | -25 | -13 | 297,5 | 1016 | 256,0 | 1,10 | 3,76 | 0,95 | 270,0 | 2,65 | 7,25 | |
| cond. pressure | -20 | -4 | 410,1 | 1401 | 353,0 | 1,28 | 4,37 | 1,10 | 320,5 | 2,75 | 10,02 | |
| pc= 45/113 | -10 | 14 | 705,2 | 2408 | 606,9 | 1,63 | 5,58 | 1,41 | 431,8 | 3,04 | 17,34 | |
| return gas temp. | -5 | 23 | 889,6 | 3038 | 765,6 | 1,83 | 6,24 | 1,57 | 487,0 | 3,21 | 21,96 | |
| RGT= 32/90 | 0 | 32 | 1100,0 | 3757 | 946,7 | 2,04 | 6,98 | 1,76 | 538,1 | 3,38 | 27,28 | |
| liquid temp | 5 | 41 | 1337,3 | 4567 | 1150,9 | 2,30 | 7,84 | 1,98 | 582,3 | 3,54 | 33,35 | |
| Tliq= 45/113 | 15 | 59 | 1896,6 | 6477 | 1632,2 | 2,97 | 10,14 | 2,56 | 638,6 | 3,76 | 47,98 | |
| [°C / °F] | -25 | -13 | 232,3 | 793 | 199,9 | 0,83 | 2,84 | 0,71 | 279,8 | 2,67 | 6,36 | |
| cond. pressure | -20 | -4 | 332,4 | 1135 | 286,1 | 0,98 | 3,35 | 0,84 | 339,1 | 2,80 | 9,13 | |
| pc= 55/131 | -10 | 14 | 588,4 | 2010 | 506,4 | 1,27 | 4,33 | 1,09 | 464,2 | 3,14 | 16,27 | |
| return gas temp | -5 | 23 | 746,4 | 2549 | 642,4 | 1,42 | 4,86 | 1,23 | 524,3 | 3,34 | 20,73 | |
| RGT= 32/90 | 0 | 32 | 925,6 | 3161 | 796,6 | 1,60 | 5,46 | 1,38 | 579,0 | 3,52 | 25,85 | |
| liquid temp | 5 | 41 | 1127,2 | 3849 | 970,1 | 1,80 | 6,16 | 1,55 | 625,4 | 3,70 | 31,68 | |
| Tliq= 55/131 | 15 | 59 | 1601,0 | 5468 | 1377,8 | 2,35 | 8,02 | 2,02 | 682,2 | 3,95 | 45,72 | |

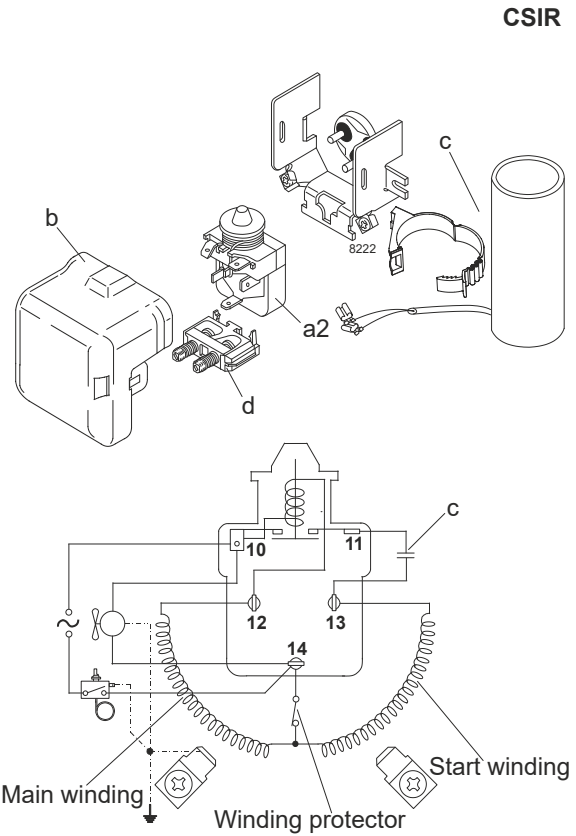
Model

| | | | | | |
|-------------|--------------|----------------------|----------------|-------------|-----------------|
| Designation | SC15G | 208-230V/60Hz | Conf. 4 | Sales code: | 104G8520 |
|-------------|--------------|----------------------|----------------|-------------|-----------------|

Configuration

| | |
|------------------------|------------------|
| Motorconfiguration | CSIR |
| Power supply (nominal) | 208-230V/60Hz 1~ |
| Refrigerant | R513A |
| Application | LBP |
| Voltage range | 198-254V |
| Starting torque | HST |
| Approvals | VDE CCC UL |

Electrical accessories / wiring diagram

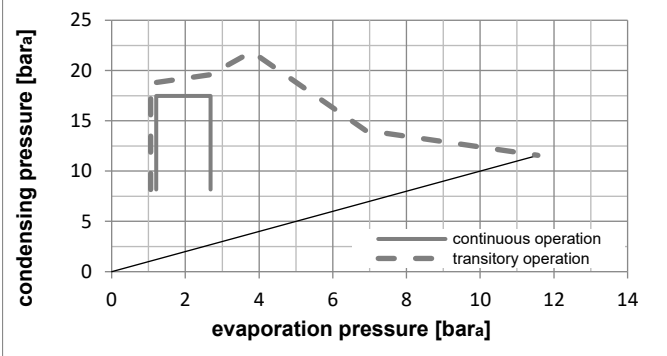
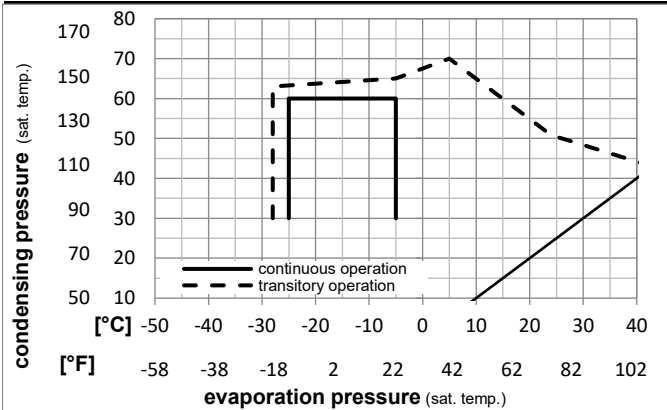


Ambient/ machine room temperatures minimum /maximum

| | |
|---------------------------------|------------------------|
| Ambient temperature range: | 10 - 43°C / 50 - 110°F |
| Machine room temperature range: | 10 - 48°C / 50 - 119°F |
| Compressor cooling: | fan 3m/s |

Operation Limits

Operation pressure range



Components

| | | |
|----|------------------------|----------|
| a2 | relay | 117U6005 |
| c | start capacitor (80μF) | 117U5017 |
| d | cord relief | 103N1004 |
| b | plastic cover | 103N2009 |

Model

Designation **SC15G** **208-230V/60Hz** Conf. 4 Sales code: **104G8520**

Optimization + standard conditions

R513A, 230V/60Hz, CSIR, fan 3m/s, VDE, CCC, UL

| | | Evaporating pressure (saturation temperature) | | | | Condensing pressure (saturation temperature) | | | | | Power consumption | | | | |
|------|-----|---|----|-----|-------|--|---------|----------|-------|----------|---------------------|------|-------|-------------|----------------|
| | | Return gas temp. | | | | Liquid temp. | | | | | Current consumption | | | | Ref. mass flow |
| | | Cooling capacity | | | | COP | EER | | | | P1 | I | m | | |
| | | pe | pc | RGT | Tliq | [W] | [Btu/h] | [kcal/h] | [W/W] | [Btu/Wh] | [kcal/Wh] | [W] | [A] | [kg/h] | |
| [°C] | -23 | 54 | 32 | 32 | 411,6 | 1406 | 354,2 | 1,07 | 3,67 | 0,92 | 383,1 | 2,19 | 8,86 | ASHRAE LBP | |
| [°F] | -10 | 130 | 90 | 90 | | | | | | | | | | | |
| [°C] | -25 | 55 | 32 | 55 | 284,0 | 970 | 244,4 | 0,77 | 2,65 | 0,67 | 366,7 | 2,13 | 7,78 | cecomaf LBP | |
| [°F] | -13 | 131 | 90 | 131 | | | | | | | | | | | |
| [°C] | -35 | 40 | 20 | 40 | 187,8 | 641 | 161,6 | 0,94 | 3,21 | 0,81 | 199,6 | 1,47 | 4,65 | EN12900 LBP | |
| [°F] | -31 | 104 | 68 | 104 | | | | | | | | | | | |
| [°C] | -7 | 54 | 35 | 46 | 928,2 | 3170 | 798,8 | 1,61 | 5,49 | 1,38 | 577,4 | 2,95 | 22,74 | ASHRAE MBP | |
| [°F] | 20 | 130 | 95 | 115 | | | | | | | | | | | |
| [°C] | -10 | 55 | 32 | 55 | 702,6 | 2400 | 604,7 | 1,29 | 4,42 | 1,11 | 542,7 | 2,81 | 19,43 | cecomaf MBP | |
| [°F] | 14 | 131 | 90 | 131 | | | | | | | | | | | |
| [°C] | -10 | 45 | 20 | 45 | 820,4 | 2802 | 706,0 | 1,65 | 5,63 | 1,42 | 497,9 | 2,64 | 21,74 | EN12900 MBP | |
| [°F] | 14 | 113 | 68 | 113 | | | | | | | | | | | |

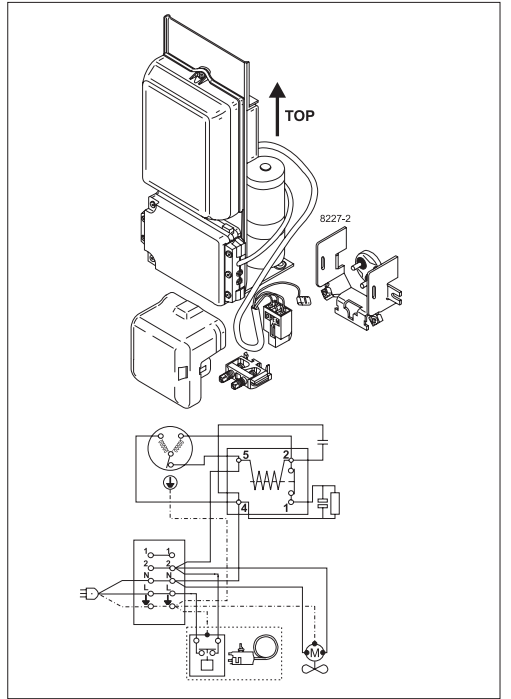
Performance tables

R513A, 230V/60Hz, CSIR, fan 3m/s, VDE, CCC, UL

| | pe | | Cooling capacity | | | COP | EER | P1 | | | I | m |
|------------------|------|------|------------------|---------|----------|-------|----------|-----------|-------|------|--------|---|
| | [°C] | [°F] | [W] | [Btu/h] | [kcal/h] | [W/W] | [Btu/Wh] | [kcal/Wh] | [W] | [A] | [kg/h] | |
| [°C / °F] | -25 | -13 | 378,7 | 1293 | 325,9 | 1,15 | 3,92 | 0,99 | 330,2 | 1,98 | 9,23 | |
| cond. pressure | -23 | -10 | 423,0 | 1445 | 364,1 | 1,21 | 4,13 | 1,04 | 349,7 | 2,06 | 10,32 | |
| pc= 45/113 | -20 | -4 | 516,5 | 1764 | 444,5 | 1,33 | 4,55 | 1,15 | 387,4 | 2,21 | 12,62 | |
| return gas temp. | -18 | 0 | 584,1 | 1995 | 502,7 | 1,42 | 4,84 | 1,22 | 412,4 | 2,30 | 14,29 | |
| RGT= 32/90 | -15 | 5 | 676,3 | 2310 | 582,1 | 1,52 | 5,21 | 1,31 | 443,7 | 2,43 | 16,57 | |
| liquid temp | -10 | 14 | 857,8 | 2930 | 738,3 | 1,72 | 5,88 | 1,48 | 497,9 | 2,64 | 21,09 | |
| Tliq= 45/113 | -5 | 23 | 1060,6 | 3622 | 912,7 | 1,93 | 6,60 | 1,66 | 549,1 | 2,84 | 26,18 | |
| [°C / °F] | -25 | -13 | 284,0 | 970 | 244,4 | 0,77 | 2,65 | 0,67 | 366,7 | 2,13 | 7,78 | |
| cond. pressure | -23 | -10 | 321,2 | 1097 | 276,4 | 0,83 | 2,84 | 0,72 | 386,3 | 2,20 | 8,80 | |
| pc= 55/131 | -20 | -4 | 401,0 | 1369 | 345,1 | 0,94 | 3,22 | 0,81 | 424,9 | 2,35 | 11,01 | |
| return gas temp | -18 | 0 | 459,7 | 1570 | 395,6 | 1,02 | 3,48 | 0,88 | 450,8 | 2,45 | 12,64 | |
| RGT= 32/90 | -15 | 5 | 540,7 | 1847 | 465,3 | 1,12 | 3,82 | 0,96 | 483,9 | 2,58 | 14,89 | |
| liquid temp | -10 | 14 | 702,6 | 2400 | 604,7 | 1,29 | 4,42 | 1,11 | 542,7 | 2,81 | 19,43 | |
| Tliq= 55/131 | -5 | 23 | 886,4 | 3027 | 762,8 | 1,48 | 5,04 | 1,27 | 600,3 | 3,04 | 24,62 | |



SC Compressors





SC Compressors

Service/Repair – R290



8545



Secop accepts no responsibility for possible errors in catalogs, brochures, and other printed material. Secop reserves the right to alter its products without notice. This also applies to products already on order provided that such alterations can be made without subsequent changes being necessary to specifications already agreed. All trademarks in this material are the property of the respective companies. Secop and the Secop logotype are trademarks of Secop GmbH. All rights reserved. www.secop.com