

Single Pack SC15CLX 220-240V 60Hz CSCR

Single pack code number: **195B4137**

Position	Title	Code	Amount
1	Compressor SC15CLX	104L2854	1
2	SC starting device (550mm)	117-7039	1
3	Cord relief	103N1004	1
4	Cover	103N2008	1
5	Bolt joint for one compressor M6 ø16mm	118-1917	1

Secop GmbH • Lise-Meitner-Straße 29 • 24941 Flensburg, Germany • Tel: +49 461 4941 0 • www.secop.com

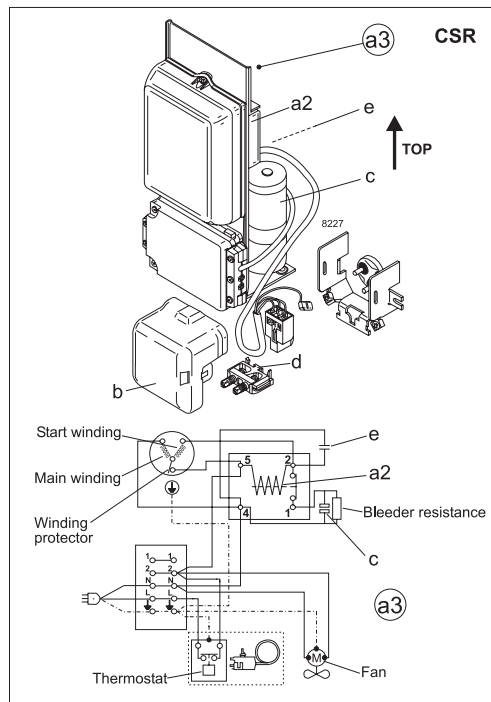
Secop accepts no responsibility for possible errors in catalogs, brochures, and other printed material. Secop reserves the right to alter its products without notice. This also applies to products already on order provided that such alterations can be made without subsequent changes being necessary to specifications already agreed. All trademarks in this material are the property of the respective companies. Secop and the Secop logotype are trademarks of Secop GmbH. All rights reserved.

EN 12900 Household (CECOMAF)* 230V, 60Hz, fan cooling F₂

Evap. temp. in °C	-45	-40	-35	-30	-25	-23.3	-20	-15	-10	-6.7	-5	0	5	7.2	10	15	20
Capacity in W		179	351	530	720	788	928	1158	1417								
Power cons. in W		303	414	515	610	641	699	783	864								
Current cons. in A		1.51	1.99	2.46	2.90	3.05	3.33	3.73	4.11								
COP in W/W		0.59	0.85	1.03	1.18	1.23	1.33	1.48	1.64								

ASHRAE LBP* 230V, 60Hz, fan cooling F₂

Evap. temp. in °C	-45	-40	-35	-30	-25	-23.3	-20	-15	-10	-6.7	-5	0	5	7.2	10	15	20
Capacity in W		208	407	614	836	915	1078	1347	1649								
Power cons. in W		303	414	515	610	641	699	783	864								
Current cons. in A		1.51	1.99	2.46	2.90	3.05	3.33	3.73	4.11								
COP in W/W		0.68	0.98	1.19	1.37	1.43	1.54	1.72	1.91								



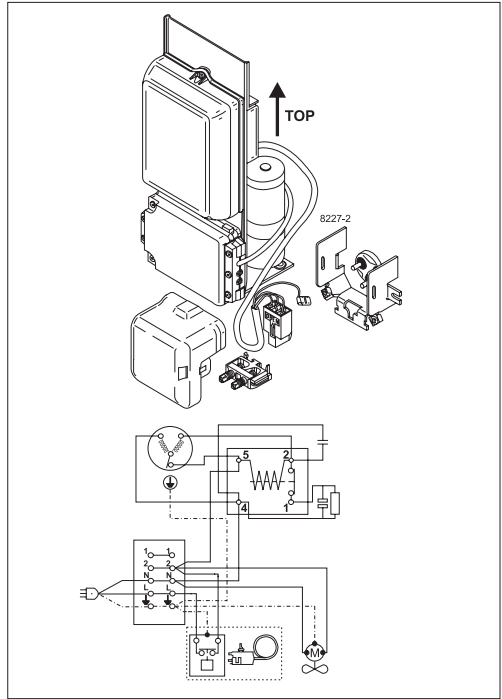
Accessories for SC15CLX	Figure	Code number	Test conditions	EN 12900/CECOMAF*	ASHRAE LBP*
Starting device 550 mm cable length 1000 mm cable length	a3	117-7039	Condensing temperature	45°C	45°C
		117-7043	Ambient temperature	32°C	32°C
Cover	b	103N2008	Suction gas temperature	32°C	32°C
Starting relay	a2	Components of starting device	Liquid temperature	no subcooling	32°C
Start. capacitor 80 µF	c				
Run capacitor 10 µF	e				
Cord relief	d	103N1004			

Mounting accessories		Code number
Bolt joint for one comp.	Ø: 16 mm	118-1917
Bolt joint in quantities	Ø: 16 mm	118-1918
Snap-on in quantities	Ø: 16 mm	118-1919

Secop accepts no responsibility for possible errors in catalogs, brochures, and other printed material. Secop reserves the right to alter its products without notice. This also applies to products already on order provided that such alterations can be made without subsequential changes being necessary to specifications already agreed. All trademarks in this material are the property of the respective companies. Secop and the Secop logotype are trademarks of Secop GmbH. All rights reserved. www.secop.com



SC Compressors





SC Compressors

Service/Repair – R290



8545



Secop accepts no responsibility for possible errors in catalogs, brochures, and other printed material. Secop reserves the right to alter its products without notice. This also applies to products already on order provided that such alterations can be made without subsequent changes being necessary to specifications already agreed. All trademarks in this material are the property of the respective companies. Secop and the Secop logotype are trademarks of Secop GmbH. All rights reserved. www.secop.com