

Single Pack SC18CLX.2 208-230V 60Hz CSCR

Single pack code number: **195B4207**

| Position | Title | Code | Amount |
|----------|--|----------|--------|
| 1 | Compressor SC18CLX.2 | 104L2195 | 1 |
| 2 | SC starting device (550mm) | 117-7066 | 1 |
| 3 | Cord relief | 103N1004 | 1 |
| 4 | Cover | 103N2008 | 1 |
| 5 | Bolt joint for one compressor M6 ø16mm | 118-1917 | 1 |

Secop GmbH • Lise-Meitner-Straße 29 • 24941 Flensburg, Germany • Tel: +49 461 4941 0 • www.secop.com

Secop accepts no responsibility for possible errors in catalogs, brochures, and other printed material. Secop reserves the right to alter its products without notice. This also applies to products already on order provided that such alterations can be made without subsequent changes being necessary to specifications already agreed. All trademarks in this material are the property of the respective companies. Secop and the Secop logotype are trademarks of Secop GmbH. All rights reserved.

SC18CLX.2 LBP Compressor R404A/R507 208-230V 60Hz

General

| | |
|-----------------------|----------|
| Code number | 104L2195 |
| Approvals | UL984 |
| Compressors on pallet | 80 |

Application

| Application | LBP | | | | | |
|--|-----|----|--|--|------------|--|
| Frequency | Hz | 50 | | | 60 | |
| Evaporating temperature | °C | - | | | -45 to -10 | |
| Voltage range | V | - | | | 187 - 254 | |
| Max. condensing temperature continuous (short) | °C | - | | | 55 (60) | |
| Max. winding temperature continuous (short) | °C | - | | | 125 (135) | |

Cooling requirements

| Frequency | Hz | 50 | | | 60 | | |
|-------------------------|----|-----|-----|-----|----------------|-----|-----|
| Application | | LBP | MBP | HBP | LBP | MBP | HBP |
| 32°C | | - | - | - | F ₂ | - | - |
| 38°C | | - | - | - | F ₂ | - | - |
| 43°C | | - | - | - | F ₂ | - | - |
| Remarks on application: | | | | | | | |

Motor

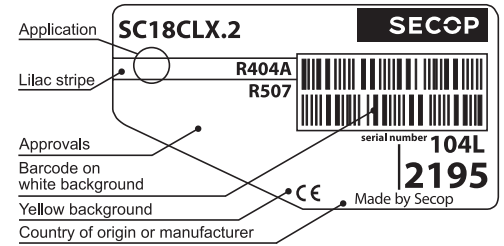
| Motor type | CSR | | |
|---|-----|------|-----|
| LRA (rated after 4 sec. UL984), HST LST | A | 27.3 | - |
| Cut in Current, HST LST | A | 27.3 | - |
| Resistance, main start winding (25°C) | Ω | 2.6 | 9.5 |

Design

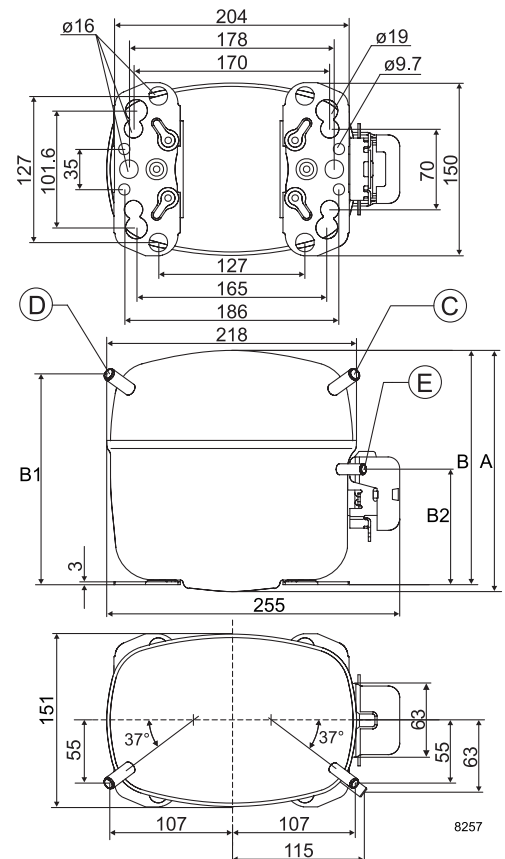
| | | |
|-------------------------------------|-----------------|-------------------|
| Displacement | cm ³ | 17.68 |
| Oil quantity (type) | cm ³ | 600 (polyolester) |
| Maximum refrigerant charge | g | 1300 |
| Free gas volume in compressor | cm ³ | 1460 |
| Weight without electrical equipment | kg | 13.9 |

Dimensions

| | | | |
|----------------------|--------------------------|----------------------|-----------|
| Height | mm | A | 219 |
| | | B | 213 |
| | | B1 | 193 |
| | | B2 | 110 |
| Suction connector | location/I.D. mm angle | C | 9.7 37° |
| | material comment | Copper Rubber plug | |
| Process connector | location/I.D. mm angle | D | 6.5 37° |
| | material comment | Copper Rubber plug | |
| Discharge connector | location/I.D. mm angle | E | 6.5 37° |
| | material comment | Copper Rubber plug | |
| Oil cooler connector | location/I.D. mm angle | F | - |
| | material comment | - | |
| Connector tolerance | I.D. mm | ±0.09 | |
| Remarks: | | | |



- S = Static cooling normally sufficient
- O = Oil cooling
- F₁ = Fan cooling 1.5 m/s (compressor compartment temperature equal to ambient temperature)
- F₂ = Fan cooling 3.0 m/s necessary
- SG = Suction gas cooling normally sufficient
- = not applicable in this area



EN 12900 Household (CECOMAF)* 230V, 60Hz, fan cooling F₂

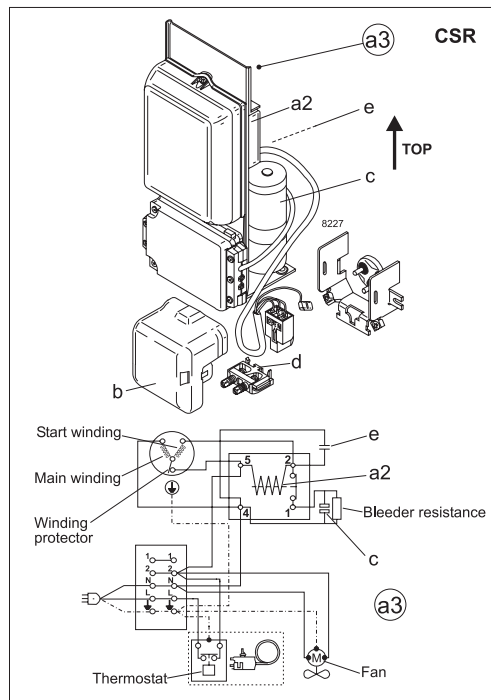
| | | | | | | | | | | | | | | | | | |
|--------------------|------|------|------|------|------|-------|------|------|------|------|----|---|---|-----|----|----|----|
| Evap. temp. in °C | -45 | -40 | -35 | -30 | -25 | -23.3 | -20 | -15 | -10 | -6.7 | -5 | 0 | 5 | 7.2 | 10 | 15 | 20 |
| Capacity in W | 113 | 338 | 542 | 737 | 938 | 1010 | 1157 | 1410 | 1708 | | | | | | | | |
| Power cons. in W | 312 | 447 | 563 | 663 | 752 | 780 | 833 | 911 | 990 | | | | | | | | |
| Current cons. in A | 2.20 | 2.56 | 2.92 | 3.28 | 3.63 | 3.75 | 3.98 | 4.33 | 4.67 | | | | | | | | |
| COP in W/W | 0.36 | 0.76 | 0.96 | 1.11 | 1.25 | 1.29 | 1.39 | 1.55 | 1.73 | | | | | | | | |

ASHRAE LBP 230V, 60Hz, fan cooling F₂

| | | | | | | | | | | | | | | | | | |
|--------------------|-----|------|------|------|------|-------|------|------|------|------|----|---|---|-----|----|----|----|
| Evap. temp. in °C | -45 | -40 | -35 | -30 | -25 | -23.3 | -20 | -15 | -10 | -6.7 | -5 | 0 | 5 | 7.2 | 10 | 15 | 20 |
| Capacity in W | | 225 | 520 | 782 | 1029 | 1113 | 1280 | 1553 | 1867 | | | | | | | | |
| Power cons. in W | | 398 | 537 | 658 | 765 | 799 | 861 | 951 | 1038 | | | | | | | | |
| Current cons. in A | | 2.45 | 2.86 | 3.27 | 3.68 | 3.82 | 4.09 | 4.49 | 4.89 | | | | | | | | |
| COP in W/W | | 0.56 | 0.97 | 1.19 | 1.34 | 1.39 | 1.48 | 1.63 | 1.80 | | | | | | | | |

ASHRAE LBP* 230V, 60Hz, fan cooling F₂

| | | | | | | | | | | | | | | | | | |
|--------------------|------|------|------|------|------|-------|------|------|------|------|----|---|---|-----|----|----|----|
| Evap. temp. in °C | -45 | -40 | -35 | -30 | -25 | -23.3 | -20 | -15 | -10 | -6.7 | -5 | 0 | 5 | 7.2 | 10 | 15 | 20 |
| Capacity in W | 167 | 416 | 644 | 866 | 1097 | 1181 | 1355 | 1653 | 2008 | | | | | | | | |
| Power cons. in W | 325 | 455 | 567 | 663 | 749 | 776 | 828 | 904 | 981 | | | | | | | | |
| Current cons. in A | 2.23 | 2.58 | 2.93 | 3.28 | 3.62 | 3.73 | 3.96 | 4.29 | 4.63 | | | | | | | | |
| COP in W/W | 0.51 | 0.91 | 1.14 | 1.31 | 1.47 | 1.52 | 1.64 | 1.83 | 2.05 | | | | | | | | |



| Accessories for | SC18CLX.2 (60 Hz) | Figure | Code number | Test conditions | EN 12900/CECOMAF* | ASHRAE LBP | ASHRAE LBP* |
|-----------------------------|-------------------------|--------|-------------------------------|-------------------------|--------------------|------------|-------------|
| Starting device | 585 mm cable length | a3 | 117-7066 | Condensing temperature | 45°C | 54.4°C | 43.3°C |
| | | | | Ambient temperature | 32°C | 32°C | 32°C |
| | | | | Suction gas temperature | 32°C | 32°C | 32°C |
| | | | | Liquid temperature | no subcooling | 32°C | 32°C |
| Cover | | b | 103N2008 | | | | |
| Starting relay | 6.3 mm spade connectors | a2 | Components of starting device | | | | |
| Start. capacitor 80 µF | 6.3 mm spade connectors | c | | | | | |
| Run capacitor 10 µF | 6.3 mm spade connectors | e | | | | | |
| Cord relief | | d | 103N1004 | | | | |
| Mounting accessories | | | | | Code number | | |
| Bolt joint for one comp. | | | | | Ø: 16 mm | 118-1917 | |
| Bolt joint in quantities | | | | | Ø: 16 mm | 118-1918 | |
| Snap-on in quantities | | | | | Ø: 16 mm | 118-1919 | |

Secop accepts no responsibility for possible errors in catalogs, brochures, and other printed material. Secop reserves the right to alter its products without notice. This also applies to products already on order provided that such alterations can be made without subsequential changes being necessary to specifications already agreed. All trademarks in this material are the property of the respective companies. Secop and the Secop logotype are trademarks of Secop GmbH. All rights reserved. www.secop.com



SC Compressors





SC Compressors

Service/Repair – R290



8545



Secop accepts no responsibility for possible errors in catalogs, brochures, and other printed material. Secop reserves the right to alter its products without notice. This also applies to products already on order provided that such alterations can be made without subsequent changes being necessary to specifications already agreed. All trademarks in this material are the property of the respective companies. Secop and the Secop logotype are trademarks of Secop GmbH. All rights reserved. www.secop.com