

## Single Pack SCE21CNLX 115V 60Hz CSCR

Single pack code number: **195B4346**

Position	Title	Code	Amount
1	Compressor SCE21CNLX	104H7178	1
2	SC starting device (600mm)	117-7805	1
3	Bolt joint for one compressor   M6   ø16mm	118-1917	1

**Secop GmbH** • Lise-Meitner-Straße 29 • 24941 Flensburg, Germany • Tel: +49 461 4941 0 • [www.secop.com](http://www.secop.com)

Secop accepts no responsibility for possible errors in catalogs, brochures, and other printed material. Secop reserves the right to alter its products without notice. This also applies to products already on order provided that such alterations can be made without subsequent changes being necessary to specifications already agreed. All trademarks in this material are the property of the respective companies. Secop and the Secop logotype are trademarks of Secop GmbH. All rights reserved.

## Model

Designation	<b>SCE21CNLX</b>	115V/60Hz 1~	Sales code:	<b>104H7178</b>
-------------	------------------	--------------	-------------	-----------------

## Compressor design

Oil type	Polyolester	Refrigerant(s)	<b>R290</b>
Oil viscosity	32cSt	Displacement	20,95cm <sup>3</sup> / 1,28cu.in
Oil quantity	550cm <sup>3</sup> / 18,6fl.oz	Compressors on pallet	80
Refr. charge - tech. limit	500g / 17,6oz		
Free gas volume comp.	1460cm <sup>3</sup> / 49,4fl.oz		
Weight	14,2kg / 31,3lbs		
Motor protection	external		
Winding resistance main	0,71Ω (at 25°C)		
Winding resistance aux	2,95Ω (at 25°C)		
Max. winding temp.	135°C / 275°F		
Max. discharge temp.	140°C / 284°F		



## General - Configurations with SCE21CNLX

	<b>Conf. 1</b>
Motorconfiguration	CSCR
Power supply (nominal)	115V/60Hz
Number of phases	1
Voltage range	103-127V
Approvals	UL
Starting torque	HST
Note	Protector and cover are included and pre-assembled to compressor.

## Applications with SCE21CNLX

	<b>Conf. 1</b>
Refrigerant	R290
Application	LBP
System cooling	fan 3m/s
Hot gas defrost	OK
Long interval pull down	-/-

## Electrical data - Configurations with SCE21CNLX

	<b>Conf. 1</b>
Starting device type	relay
Run capacitor	23,5μF
Start capacitor	410μF
LRA (locked rotor amps / 4s/ U(N))	55,2A
RLA (rated load amps / 1s/ U(N))	8,67A
Cut in current (U(N))	55,2A

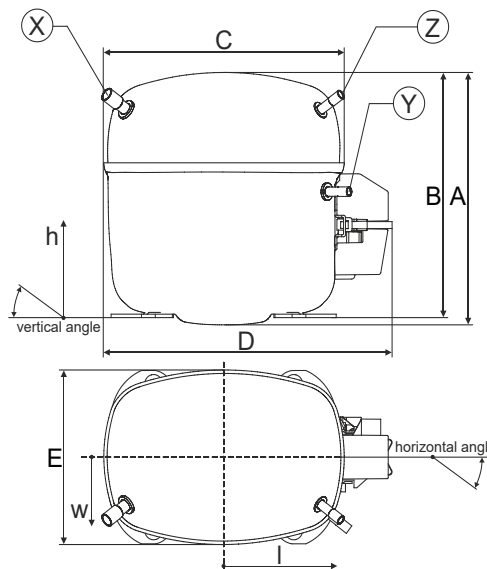
## Model

Designation	<b>SCE21CNLX</b>	115V/60Hz 1~	Sales code:	<b>104H7178</b>
-------------	------------------	--------------	-------------	-----------------

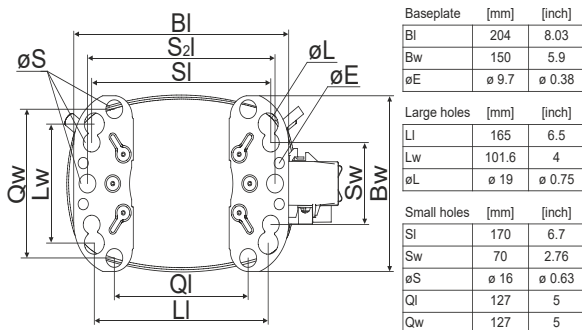
## Compressor dimensions

<b>Housing</b>	A Height	219mm / 8,62in
	B Height	213mm / 8,39in
	C Length shell	218mm / 8,58in
	D Length w. cover	255mm / 10,04in
	E Width	151mm / 5,94in

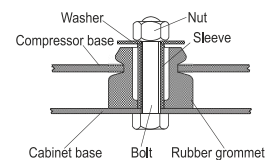
Connectors		Suction	Discharge	Process
		X	Y	Z
Diameter	[mm]	øi 9,54-9,72	øi 6,41-6,59	øi 6,41-6,59
(i:inside, o:outside)	[in]	øi 0,38-0,38	øi 0,25-0,26	øi 0,25-0,26
Material		copper	copper	copper
Horizontal angle	±2°	37°	37°	143°
Vertical angle	±2°	30°	0°	150°
Position l/h/w	[mm]	107/193/55	115/110/63	-107/193/55
	[in]	4,2/7,6/2,2	4,5/4,3/2,5	-4,2/7,6/2,2
Straight tube l.	[mm]	12	12	12
	[in]	0,5	0,5	0,5



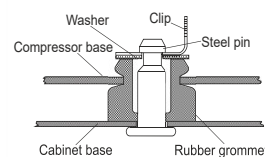
## Compressor fixation



### Bolt joint



### Snap-on



## Mounting accessories

	one comp.	multi pack
Bolt joint   M6   ø16mm	118-1917	118-1918
Bolt joint   ø1/4"   ø16mm	118-1946	
Bolt joint   ø1/4"   ø19mm	118-1949	
Snap-on   ø7,3   ø16mm	118-1947	118-1919

## #NV

## #NV

Provision for PE Grounding is located at the PE Stamp on the compressor

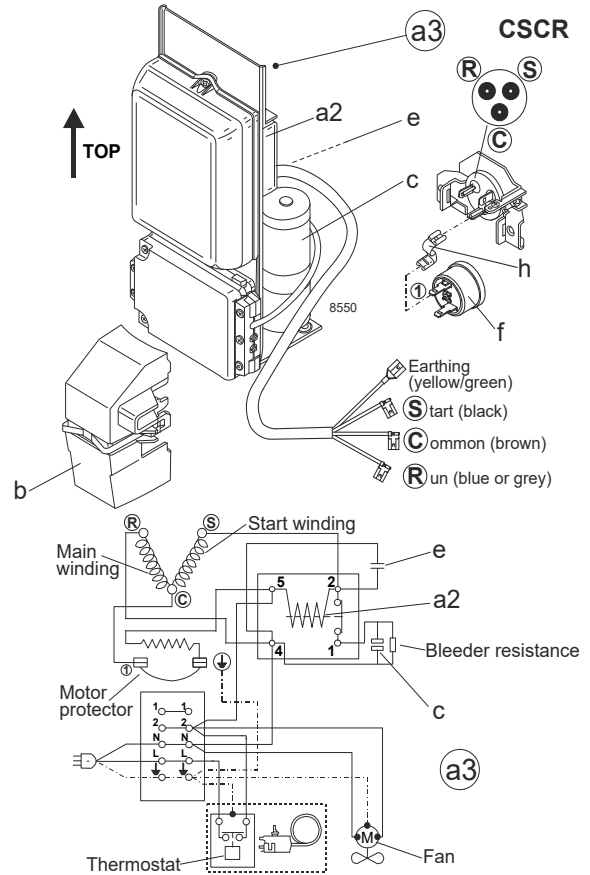
## Model

Designation	<b>SCE21CNLX</b>	<b>115V/60Hz</b>	<b>Conf. 1</b>	Sales code:	<b>104H7178</b>
-------------	------------------	------------------	----------------	-------------	-----------------

## Configuration

Motorconfiguration	CSCR
Power supply (nominal)	115V/60Hz 1~
Refrigerant	R290
Application	LBP
Voltage range	103-127V
Starting torque	HST
Approvals	UL

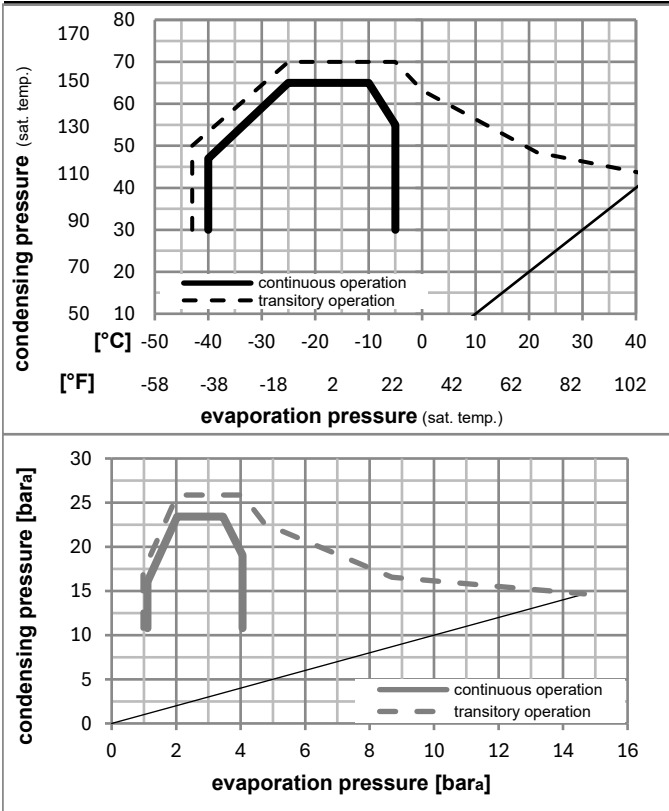
## Electrical accessories / wiring diagram



## Ambient/ machine room temperatures minimum /maximum

Ambient temperature range:	10 - 43°C / 50 - 110°F
Machine room temperature range:	10 - 48°C / 50 - 119°F
Compressor cooling:	fan 3m/s

## Operation pressure range



## Components (protector (f)+ holder (h)+ cover (b): pre assembled)

a3	SC starter kit (600mm)	117-7805
h	protector holder	117U0439
f	ext. protector (T1106)	117U3222
b	plastic cover + clamp	117U1021

## Alternative comp.

a2	potential relay (RVA 7AB3R A39)	117-7443
e	run capacitor (23,5μF, 6.3mm)	117-7133
c	start capacitor (410μF, 6.3mm)	117U5379

## Model

Designation **SCE21CNLX 115V/60Hz** Conf. 1 Sales code: **104H7178**

## Optimization + standard conditions

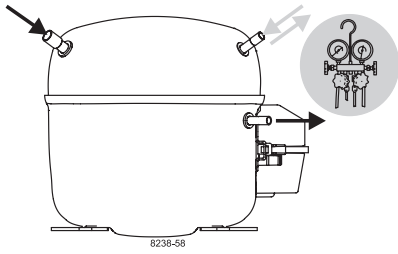
R290, 115V/60Hz, CSCR, fan 3m/s, UL

	Evaporating pressure (saturation temperature)				Cooling capacity			COP	EER	Power consumption				
	Condensing pressure (saturation temperature)		Return gas temp.		Liquid temp.	[W]	[Btu/h]	[kcal/h]	[W/W]	[Btu/Wh]	[kcal/Wh]	P1	I	Ref. mass flow
	pe	pc	RGT	Tliq								[W]	[A]	[kg/h]
[°C]	-23	54	32	32	1089,3	3720	937,4	1,60	5,47	1,38	679,5	6,97	11,03	ASHRAE LBP
[°F]	-10	130	90	90										
[°C]	-25	55	32	55	800,3	2733	688,8	1,24	4,24	1,07	644,8	6,71	9,97	cecomaf LBP
[°F]	-13	131	90	131										
[°C]	-35	40	20	40	648,1	2213	557,7	1,28	4,38	1,10	505,5	5,68	7,40	EN12900 LBP
[°F]	-31	104	68	104										
[°C]	-23	49	4,4	49	917,0	3132	789,2	1,35	4,60	1,16	680,6	6,96	12,70	ARI540 LBP
[°F]	-10	120	40	120										
[°C]	-23	41	32	32	1223,8	4179	1053,2	1,88	6,42	1,62	650,6	6,75	12,39	AHAM LBP
[°F]	-10	105	90	90										
[°C]	-35	45	32	45	597,2	2040	514,0	1,18	4,05	1,02	504,2	5,60	6,69	opt
[°F]	-31	113	90	113										

## Performance tables

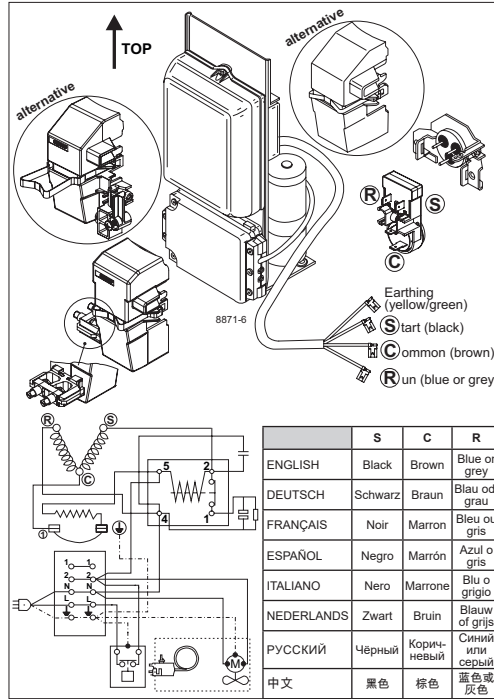
R290, 115V/60Hz, CSCR, fan 3m/s, UL

	pe		Cooling capacity			COP	EER	P1	I	m	
	[°C]	[°F]	[W]	[Btu/h]	[kcal/h]	[W/W]	[Btu/Wh]	[kcal/Wh]	[W]	[A]	[kg/h]
[°C / °F]	-40	-40	419,3	1432	360,9	0,96	3,28	0,83	437,0	4,87	4,69
cond. pressure	-34	-30	617,6	2109	531,5	1,21	4,12	1,04	511,9	5,67	6,92
pc= 45/113	-29	-20	833,5	2847	717,3	1,41	4,81	1,21	591,3	6,32	9,37
return gas temp.	-23	-10	1079,3	3686	928,9	1,61	5,49	1,38	671,0	6,90	12,19
RGT= 32/90	-21	-5	1217,3	4157	1047,7	1,72	5,86	1,48	709,6	7,18	13,78
liquid temp	-15	5	1531,3	5230	1317,9	1,96	6,69	1,69	781,8	7,75	17,42
Tliq= 45/113	-5	23	2258,4	7713	1943,6	2,56	8,73	2,20	883,6	9,03	26,00
[°C / °F]	-40	-40	165,8	566	142,7	0,47	1,60	0,40	354,2	4,01	2,04
cond. pressure	-34	-30	395,3	1350	340,2	0,86	2,95	0,74	457,2	5,15	4,89
pc= 55/131	-29	-20	628,4	2146	540,8	1,11	3,79	0,95	566,6	6,11	7,80
return gas temp	-23	-10	877,4	2997	755,1	1,29	4,42	1,11	678,3	6,96	10,94
RGT= 32/90	-21	-5	1011,8	3455	870,7	1,38	4,71	1,19	733,7	7,36	12,65
liquid temp	-15	5	1307,9	4467	1125,6	1,55	5,31	1,34	841,1	8,16	16,44
Tliq= 55/131	-5	23	1967,3	6719	1693,1	1,95	6,64	1,67	1011,3	9,76	25,06



# SCE Compressors

## (External Protector)



	S	C	R
ENGLISH	Black	Brown	Blue or grey
DEUTSCH	Schwarz	Braun	Blau od. grau
FRANÇAIS	Noir	Marron	Bleu ou gris
ESPAÑOL	Negro	Marrón	Azul o gris
ITALIANO	Nero	Marrone	Blu o grigio
NEDERLANDS	Zwart	Bruin	Blauw of grijs
РУССКИЙ	Чёрный	Коричневый	Синий или серый
中文	黑色	棕色	蓝色或灰色

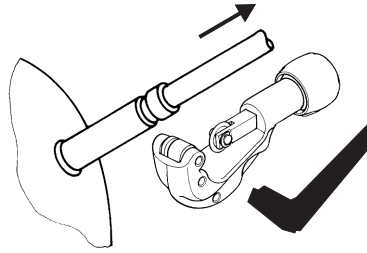
	S	C	R
ENGLISH	Black	Brown	Blue or grey
DEUTSCH	Schwarz	Braun	Blau od. grau
FRANÇAIS	Noir	Marron	Bleu ou gris
ESPAÑOL	Negro	Marrón	Azul o gris
ITALIANO	Nero	Marrone	Blu o grigio
NEDERLANDS	Zwart	Bruin	Blauw of grijs
РУССКИЙ	Чёрный	Коричневый	Синий или серый
中文	黑色	棕色	蓝色或灰色



# SCE Compressors (External Protector)

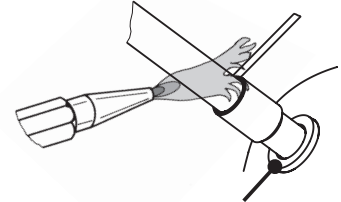


## Service/Repair – R290



8545

## Brazing on Suction Connectors (Direct Intake)



**! max. 350°C/662°F !**  
**at socket**  
brazing solder: phosphor (LP7) or silver

Refer to Product Bulletin:  
**Brazing on Suction Connectors**  
**(SCE Compressors with Direct Suction Intake)**

Secop accepts no responsibility for possible errors in catalogs, brochures, and other printed material. Secop reserves the right to alter its products without notice. This also applies to products already on order provided that such alterations can be made without subsequential changes being necessary to specifications already agreed. All trademarks in this material are the property of the respective companies. Secop and the Secop logotype are trademarks of Secop GmbH. All rights reserved. [www.secop.com](http://www.secop.com)