

## Single Pack SC15G 208-230V 60Hz CSIR

Single pack code number: **195B4488**

Position	Title	Code	Amount
1	Compressor SC15G	104G8526	1
2	Starting relay	117U6011	1
3	Starting capacitor (80 $\mu$ F 220V, 6.3mm)	117U5017	1
4	Cord relief	103N1004	1
5	Cover	103N2008	1
6	Bolt joint for one compressor   M6   $\varnothing$ 16mm	118-1917	1

Secop GmbH • Lise-Meitner-Straße 29 • 24941 Flensburg, Germany • Tel: +49 461 4941 0 • [www.secop.com](http://www.secop.com)

Secop accepts no responsibility for possible errors in catalogs, brochures, and other printed material. Secop reserves the right to alter its products without notice. This also applies to products already on order provided that such alterations can be made without subsequent changes being necessary to specifications already agreed. All trademarks in this material are the property of the respective companies. Secop and the Secop logotype are trademarks of Secop GmbH. All rights reserved.

## Model

Designation	<b>SC15G</b>	208-230V/60Hz 1~	Sales code:	<b>104G8526</b>
-------------	--------------	------------------	-------------	-----------------

## Compressor design

Oil type	Polyolester	Refrigerant(s)	<b>R134a</b>
Oil viscosity	22cST	Displacement	15,28cm <sup>3</sup> / 0,93cu.in
Oil quantity	500cm <sup>3</sup> / 16,9fl.oz	Compressors on pallet	80
Refr. charge - tech. limit	1300g / 45,9oz		
Free gas volume comp.	1410cm <sup>3</sup> / 47,7fl.oz		
Weight	13,2kg / 29,1lbs		
Motor protection	1# internal		
Winding resistance main	4,4Ω (at 25°C)		
Winding resistance aux	14Ω (at 25°C)		
Max. winding temp.	125°C / 257°F		
Max. discharge temp.	135°C / 275°F		



## General - Configurations with SC15G

	<b>Conf. 1</b>
Motorconfiguration	CSIR
Power supply (nominal)	208-230V/60Hz
Number of phases	1
Voltage range	187-254V
Approvals	VDE, UL, KC
Starting torque	HST
Note	- / -

## Applications with SC15G

	<b>Conf. 1</b>
Refrigerant	R134a
Application	MBP
System cooling	fan 3m/s
Hot gas defrost	OK
Long interval pull down	OK

## Electrical data - Configurations with SC15G

	<b>Conf. 1</b>
Starting device type	relay
Run capacitor	-/-
Start capacitor	80μF
LRA (locked rotor amps / 4s)	
RLA (rated load amps / 1s)	-/-A
Cut in current	

## Model

Designation

**SC15G**

208-230V/60Hz 1~

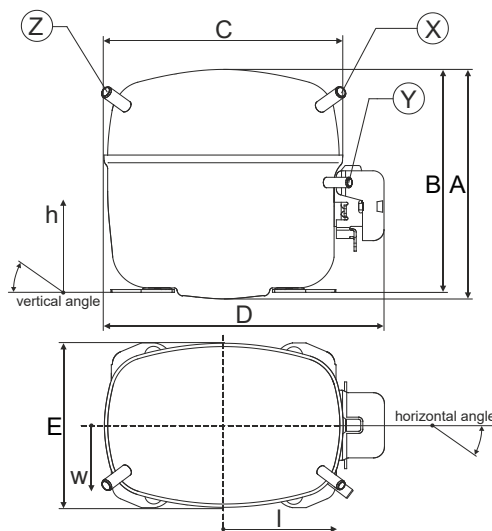
Sales code:

**104G8526**

## Compressor dimensions

Housing	A Height	209mm / 8,23in
	B Height	203mm / 7,99in
	C Length shell	218mm / 8,58in
	D Length w. cover	255mm / 10,04in
	E Width	151mm / 5,94in

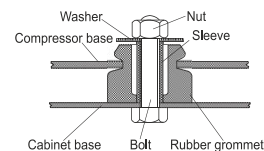
Connectors	Suction X	Discharge Y	Process Z
Diameter [mm]	øi 10,11-10,29	øi 6,41-6,59	øi 6,41-6,59
(i:inside, o:outside) [in]	øi 0,4-0,41	øi 0,25-0,26	øi 0,25-0,26
Material	copper	copper	copper
Horizontal angle ±2°	37°	37°	143°
Vertical angle ±2°	30°	0°	150°
Position l/h/w [mm]	107/183/55	115/100/63	-107/183/55
[in]	4,2/7,2/2,2	4,5/3,9/2,5	-4,2/7,2/2,2
Straight tube l. [mm]	12	12	12
[in]	0,5	0,5	0,5



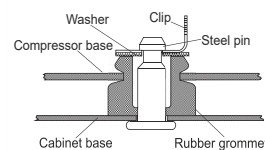
## Compressor fixation



### Bolt joint



### Snap-on



## Mounting accessories

Mounting accessories	one comp.	multi pack
Bolt joint   M6   ø16mm	118-1917	118-1918
Bolt joint   ø1/4"   ø16mm	118-1946	
Bolt joint   ø1/4"   ø19mm	118-1949	
Snap-on   ø7,3   ø16mm	118-1947	118-1919

## Application notes

Provision for PE Grounding is located at the PE Stamp on the compressor

LRA value on compressor label and datasheet may differ due to different test conditions for UL approval.

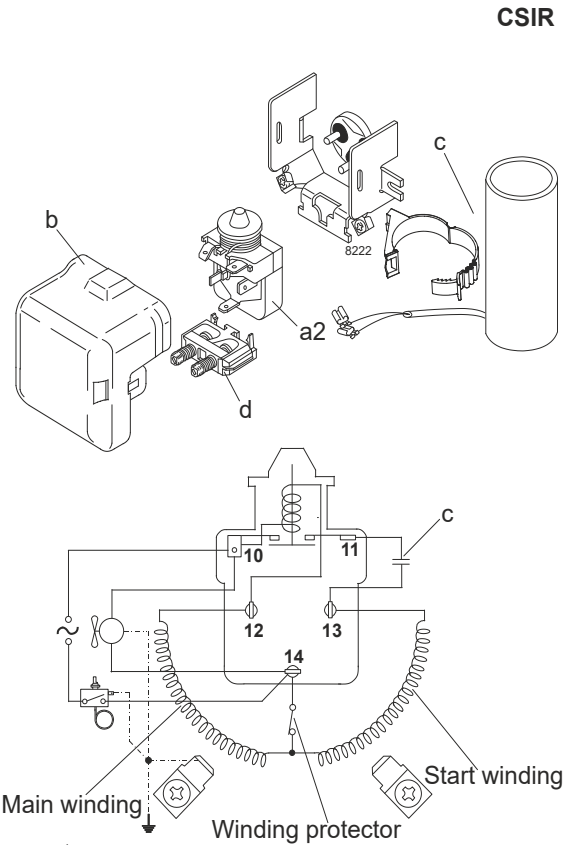
## Model

Designation	<b>SC15G</b>	<b>208-230V/60Hz</b>	<b>Conf. 1</b>	Sales code:	<b>104G8526</b>
-------------	--------------	----------------------	----------------	-------------	-----------------

## Configuration

Motorconfiguration	CSIR
Power supply (nominal)	208-230V/60Hz 1~
Refrigerant	R134a
Application	MBP
Voltage range	187-254V
Starting torque	HST
Approvals	VDE UL KC

## Electrical accessories / wiring diagram

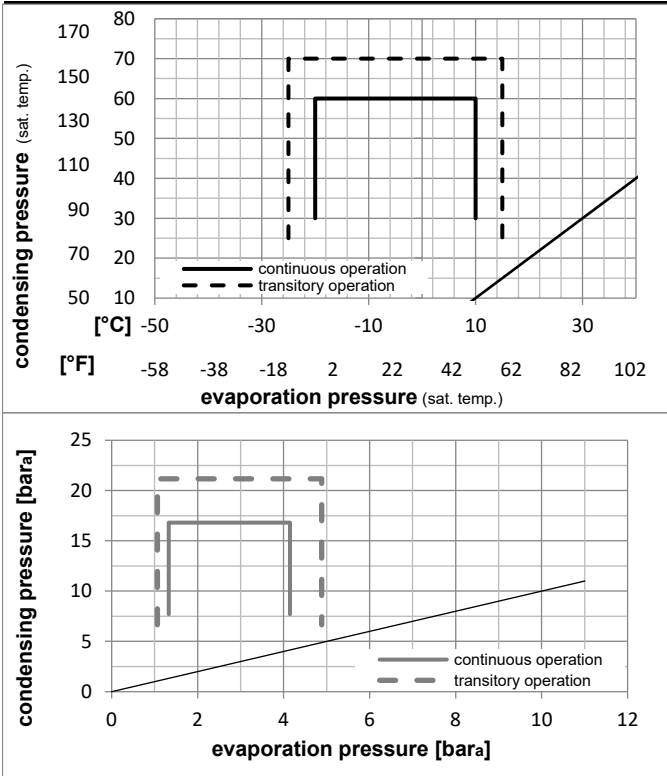


## Ambient/ machine room temperatures minimum /maximum

Ambient temperature range:	10 - 43°C / 50 - 110°F
Machine room temperature range:	10 - 48°C / 50 - 119°F
Compressor cooling:	fan 3m/s

## Operation Limits

## Operation pressure range



## Components

a2	relay	117U6011
c	start capacitor (80μF)	117U5017
d	cord relief	103N1004
b	plastic cover	103N2008

### Model

Designation	<b>SC15G</b>	<b>208-230V/60Hz</b>	<b>Conf. 1</b>	Sales code:	<b>104G8526</b>
-------------	--------------	----------------------	----------------	-------------	-----------------

### Optimization + standard conditions

R134a, 230V/60Hz, CSIR, fan 3m/s, VDE, UL, KC

	Evaporating pressure (saturation temperature)				Condensing pressure (saturation temperature)			Return gas temp.	Liquid temp.	Cooling capacity	COP	EER	Power consumption			ASHRAE MBP
	pe	pc	RGT	Tliq	[W]	[Btu/h]	[kcal/h]						P1	I	Ref. mass flow	
[°C]	-7	54	35	46	851,4	2908	732,7	1,67	5,69	1,43	511,0	3,05	18,58			
[°F]	20	130	95	115												
	-10	55	32	55	641,5	2191	552,1	1,37	4,66	1,18	469,8	2,92	15,51	cecomaf MBP		
	-10	45	20	45	741,8	2533	638,4	1,69	5,79	1,46	437,7	2,79	17,36	EN12900 MBP		
	-7	49	18	49	818,4	2795	704,4	1,67	5,71	1,44	489,9	2,96	20,22	ARI540 MBP		
	-10	45	32	45	769,6	2628	662,3	1,76	6,00	1,51	437,7	2,79	16,84	opt		
	-25	45	32	45	272,1	929	234,2	1,11	3,79	0,96	244,9	2,29	5,89	opt		

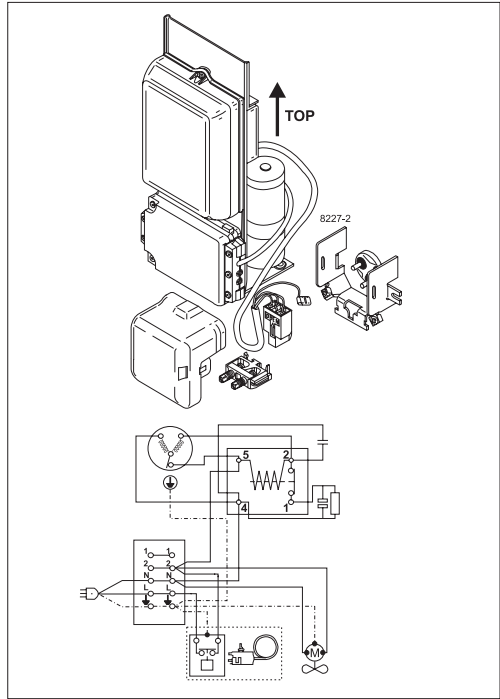
### Performance tables

R134a, 230V/60Hz, CSIR, fan 3m/s, VDE, UL, KC

	pe		Cooling capacity			COP	EER	P1	I	m	
	[°C]	[°F]	[W]	[Btu/h]	[kcal/h]	[W/W]	[Btu/Wh]	[kcal/Wh]	[W]	[A]	[kg/h]
[°C / °F]	-20	-4	418,7	1430	360,3	1,34	4,57	1,15	312,8	2,45	9,10
cond. pressure	-15	5	582,9	1991	501,7	1,55	5,28	1,33	377,1	2,61	12,71
pc= 45/113	-10	14	769,6	2628	662,3	1,76	6,00	1,51	437,7	2,79	16,84
return gas temp.	-7	20	907,4	3099	780,9	1,91	6,52	1,64	475,6	2,90	19,92
RGT= 32/90	0	32	1229,4	4198	1058,0	2,25	7,68	1,93	546,8	3,15	27,19
liquid temp	5	41	1512,0	5164	1301,2	2,54	8,68	2,19	594,9	3,35	33,66
Tliq= 45/113	10	50	1836,1	6270	1580,1	2,88	9,82	2,48	638,4	3,55	41,20
[°C / °F]	-20	-4	307,5	1050	264,7	0,95	3,25	0,82	323,0	2,51	7,38
cond. pressure	-15	5	467,7	1597	402,5	1,17	4,00	1,01	399,5	2,71	11,26
pc= 55/131	-10	14	641,5	2191	552,1	1,37	4,66	1,18	469,8	2,92	15,51
return gas temp	-7	20	765,9	2616	659,2	1,49	5,10	1,29	512,8	3,06	18,58
RGT= 32/90	0	32	1048,7	3582	902,6	1,77	6,06	1,53	591,2	3,36	25,65
liquid temp	5	41	1291,8	4412	1111,7	2,01	6,87	1,73	641,8	3,58	31,83
Tliq= 55/131	10	50	1567,5	5353	1349,0	2,29	7,81	1,97	685,5	3,82	38,96



# SC Compressors





# SC Compressors

## Service/Repair – R290



8545



Secop accepts no responsibility for possible errors in catalogs, brochures, and other printed material. Secop reserves the right to alter its products without notice. This also applies to products already on order provided that such alterations can be made without subsequent changes being necessary to specifications already agreed. All trademarks in this material are the property of the respective companies. Secop and the Secop logotype are trademarks of Secop GmbH. All rights reserved. [www.secop.com](http://www.secop.com)