

Single Pack HXK87AT 200-240V 50Hz / 208-230V 60Hz RSIR

Single pack code number: **195B4618**

Position	Title	Code	Amount
1	Compressor HXK87AT	16408900	1
2	Clip	10633900	4
3	Steel pin	10634100	4
4	Washer	10634300	4
5	Screw for cable clamp	10636000	1
6	Screw for cable clamp	10636200	1
7	Cover	10636401	1
8	Earth screw	10641201	1
9	Rubber grommet 16mm	11322600	4
10	Cable clamp	11341000	1
11	Terminal board 6.3mm	16403700	1

Secop GmbH • Lise-Meitner-Straße 29 • 24941 Flensburg, Germany • Tel: +49 461 4941 0 • www.secop.com

Secop accepts no responsibility for possible errors in catalogs, brochures, and other printed material. Secop reserves the right to alter its products without notice. This also applies to products already on order provided that such alterations can be made without subsequent changes being necessary to specifications already agreed. All trademarks in this material are the property of the respective companies. Secop and the Secop logotype are trademarks of Secop GmbH. All rights reserved.

Model

Designation	HXK87AT	220-240V/50Hz 1~	Sales code:	16408900
-------------	----------------	-------------------------	-------------	-----------------

Compressor design

Oil type	Mineral	Refrigerant(s)	R600a
Oil viscosity	5cST	Displacement	8,8cm ³ / 0,54cu.in
Oil quantity	162cm ³ / 5,5fl.oz	Compressors on pallet	100
Refr. charge - tech. limit	150g / 5,3oz		
Free gas volume comp.	1620cm ³ / 54,8fl.oz		
Weight	8,6kg / 19lbs		
Motor protection	external		
Winding resistance main	18,8Ω (at 25°C)		
Winding resistance aux	10,7Ω (at 25°C)		
Max. winding temp.	130°C / 266°F		
Max. discharge temp.	130°C / 266°F		



General - Configurations with HXK87AT

	Conf. 1	Conf. 2	Conf. 3	Conf. 4
Motorconfiguration	RSCR	RSIR	RSCR	RSCR
Power supply (nominal)	200-240V/50Hz	200-240V/50Hz	220-240V/50Hz	208-230V/60Hz
Number of phases	1	1	1	1
Voltage range	170-264V	170-264V	170-264V	198-253V
Approvals	VDE	VDE	VDE	VDE
Starting torque	LST	LST	LST	LST
Note	Various options of connectors are possible - please contact SECOP-Sales.			

Applications with HXK87AT

	Conf. 1	Conf. 2	Conf. 3	Conf. 4
Refrigerant	R600a	R600a	R600a	R600a
Application	LBP	LBP	LBP	LBP
System cooling	static	static	static	static
Hot gas defrost	-/-	-/-	-/-	-/-
Long interval pull down	-/-	-/-	-/-	-/-

Electrical data - Configurations with HXK87AT

	Conf. 1	Conf. 2	Conf. 3	Conf. 4
Starting device type	PTC	PTC	PTC	PTC
Run capacitor	4μF	-/-	4μF	4μF
Start capacitor	-/-	-/-	-/-	-/-
LRA (locked rotor amps / 4s/ U(N))				
RLA (rated load amps / 1s/ U(N))	-/-A	-/-A		-/-A
Cut in current (U(N))				

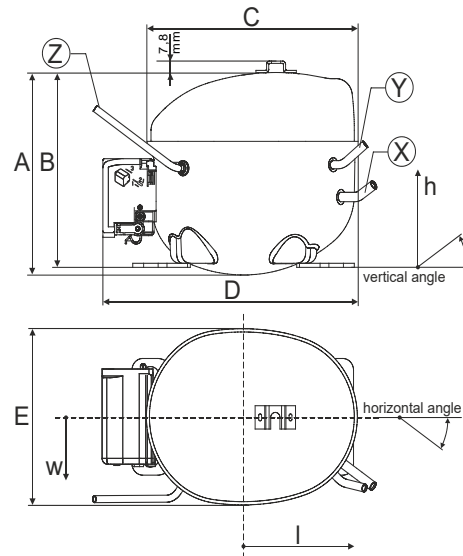
Model

Designation	HXK87AT	220-240V/50Hz 1~	Sales code:	16408900
-------------	----------------	------------------	-------------	-----------------

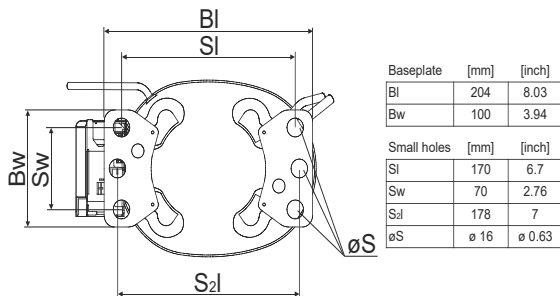
Compressor dimensions

Housing	A Height	174mm / 6,85in
	B Height	167mm / 6,57in
	C Length shell	194mm / 7,64in
	D Length w. cover	238mm / 9,37in
	E Width	151mm / 5,94in

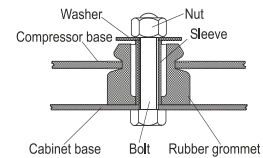
Connectors		Suction	Discharge	Process
		X	Y	Z
Diameter	[mm]	øi 6,1-6,2	øi 5,1-5,2	øo 5,92-6,08
	(i:inside, o:outside) [in]	øi 0,24-0,24	øi 0,2-0,2	øo 0,23-0,24
Material		copper	copper	copper
Horizontal angle	±2°	45°	13°	0°
Vertical angle	±2°	30°	40°	145°
Position l/h/w	[mm]	120/72/62	112/106/62	-140/136/70
	[in]	4,7/2,8/2,4	4,4/4,2/2,4	-5,5/5,4/2,8
Straight tube l.	[mm]	14	14	75
	[in]	0,5	0,5	3



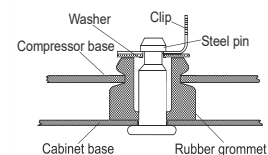
Compressor fixation



Bolt joint



Snap-on



Mounting accessories

'4ZN' with rubber grommet	order code	772N
'4ZN' with rubber grommet and sleeve for M6		768N
Bolt joint kit		4ZN + 118-1917 (18)
'4ZN' with Snap on kit		776N

Application notes

Provision for PE Grounding is located at the PE Stamp on the compressor Housing with dip-tray fixture (omega bracket).
 Various options of connectors are possible - please contact SECOP-Sales.

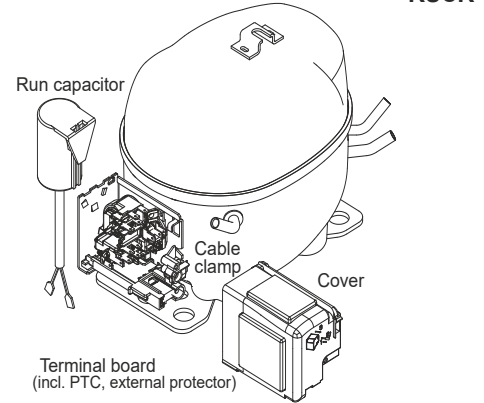
Model

Designation	HXK87AT	200-240V/50Hz	Conf. 1	Sales code:	16408900
-------------	----------------	----------------------	---------	-------------	-----------------

Configuration

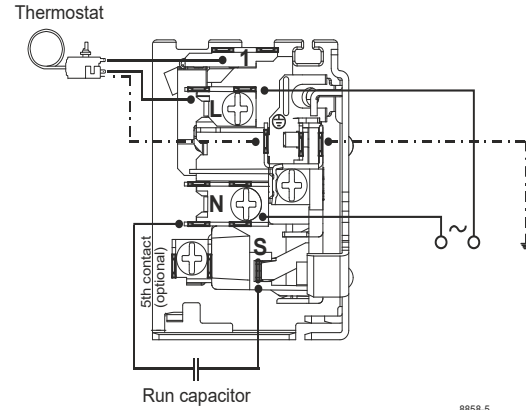
Motorconfiguration	RSCR
Power supply (nominal)	200-240V/50Hz 1~
Refrigerant	R600a
Application	LBP
Voltage range	170-264V
Starting torque	LST
Approvals	VDE

Electrical accessories / wiring diagram

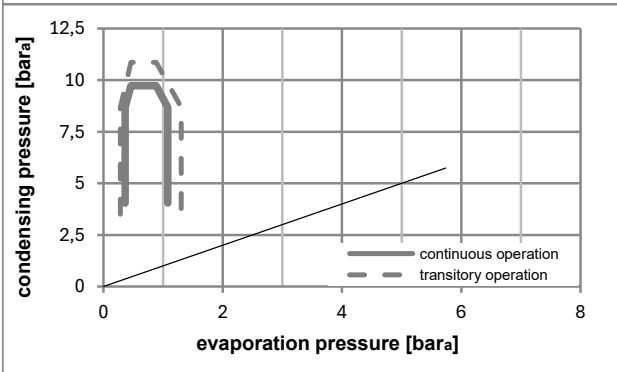
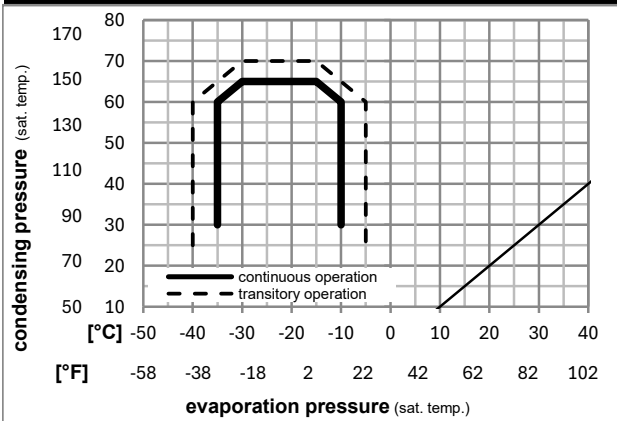


Ambient/ machine room temperatures minimum /maximum

Ambient temperature range:	10 - 43°C / 50 - 110°F
Machine room temperature range:	10 - 48°C / 50 - 119°F
Compressor cooling:	static



Operation pressure range



Components

. terminal board (PTC, 6.3mm)	16403700
. run capacitor (4μF, 6.3mm)	15186801
b cover terminal board	10636401
. cable clamp	11341000
. screw - uni6954	10636000
. screw - uni6954	10636200

Alternative components

. screw uni en iso 4757	10641201
-------------------------	----------

Model

Designation	HXK87AT	200-240V/50Hz	Conf. 1	Sales code:	16408900
-------------	----------------	----------------------	---------	-------------	-----------------

Optimization + standard conditions

R600a, 200V/50Hz, RSCR, static, VDE

Evaporating pressure (saturation temperature)				Condensing pressure (saturation temperature)			Power consumption				Current consumption		Ref. mass flow ṁ	
pe	pc	RGT	Tliq	Cooling capacity	COP	EER	P1	I						
[°C]	[°C]	[°C]	[°C]	[W]	[Btu/h]	[kcal/h]	[W/W]	[Btu/Wh]	[kcal/Wh]	[W]	[A]	[kg/h]		
-23	54	32	32	153,8	525	132,3	1,75	5,97	1,50	88,0	0,45	1,65		ASHRAE LBP
-10	130	90	90											
-25	55	32	55	115,9	396	99,8	1,37	4,67	1,18	84,7	0,43	1,51		cecomaf LBP
-13	131	90	131											
-35	40	20	40	90,6	309	77,9	1,37	4,70	1,18	65,9	0,31	1,10		EN12900 LBP
-31	104	68	104											
-23	49	4,4	49	124,2	424	106,9	1,45	4,96	1,25	85,6	0,45	1,81		ARI540 LBP
-10	120	40	120											
-23	41	32	32	161,5	552	139,0	1,99	6,78	1,71	81,3	0,43	1,73		AHAM LBP
-10	105	90	90											
-35	45	32	45	87,9	300	75,7	1,31	4,48	1,13	67,1	0,29	1,04		opt
-31	113	90	113											

Performance tables

R600a, 200V/50Hz, RSCR, static, VDE

	pe		Cooling capacity			COP	EER	P1	I	m	
	[°C]	[°F]	[W]	[Btu/h]	[kcal/h]	[W/W]	[Btu/Wh]	[kcal/Wh]	[W]	[A]	[kg/h]
[°C / °F]	-35	-31	87,9	300	75,7	1,31	4,48	1,13	67,1	0,29	1,04
cond. pressure	-30	-22	105,3	360	90,6	1,44	4,93	1,24	73,0	0,37	1,25
pc= 45/113	-25	-13	132,5	452	114,0	1,64	5,60	1,41	80,7	0,42	1,58
return gas temp.	-23	-10	143,8	491	123,8	1,72	5,87	1,48	83,7	0,44	1,71
RGT= 32/90	-20	-4	168,8	576	145,2	1,88	6,42	1,62	89,8	0,47	2,01
liquid temp	-15	5	213,5	729	183,7	2,14	7,31	1,84	99,8	0,51	2,55
Tliq= 45/113	-10	14	265,8	908	228,8	2,41	8,24	2,08	110,1	0,55	3,18
[°C / °F]	-35	-31	72,2	247	62,1	1,07	3,67	0,92	67,2	0,25	0,94
cond. pressure	-30	-22	90,1	308	77,6	1,20	4,10	1,03	75,1	0,36	1,17
pc= 55/131	-25	-13	115,9	396	99,8	1,37	4,67	1,18	84,7	0,43	1,51
return gas temp	-23	-10	126,3	432	108,7	1,43	4,89	1,23	88,3	0,46	1,65
RGT= 32/90	-20	-4	148,8	508	128,1	1,56	5,32	1,34	95,6	0,49	1,94
liquid temp	-15	5	188,2	643	162,0	1,76	6,00	1,51	107,2	0,55	2,46
Tliq= 55/131	-10	14	233,3	797	200,8	1,96	6,69	1,69	119,0	0,59	3,06

Model

Designation **HXK87AT** **200-240V/50Hz** Conf. 2 Sales code: **16408900**

Configuration

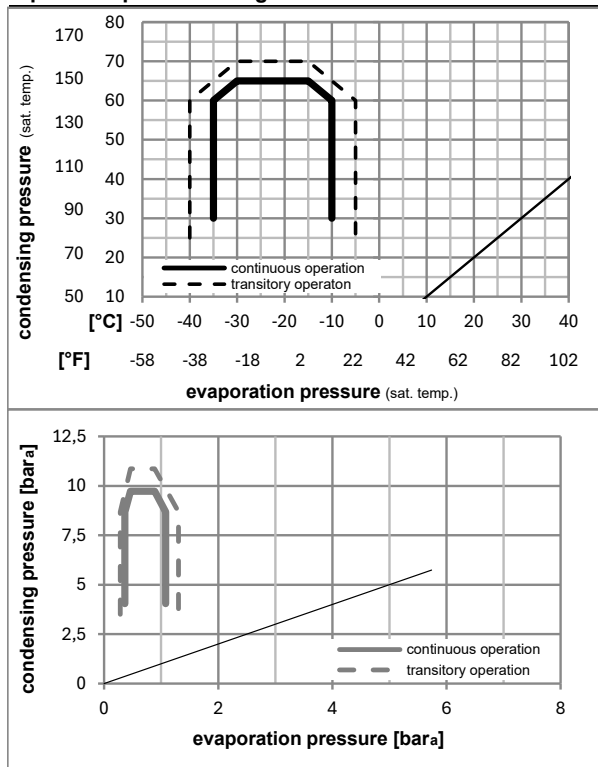
Electrical accessories / wiring diagram

Motorconfiguration RSIR
 Power supply (nominal) 200-240V/50Hz 1~
 Refrigerant R600a
 Application LBP
 Voltage range 170-264V
 Starting torque LST
 Approvals VDE

Ambient/ machine room temperatures minimum /maximum

Ambient temperature range: 10 - 43°C / 50 - 110°F
 Machine room temperature range: 10 - 48°C / 50 - 119°F
 Compressor cooling: static

Operation pressure range



Components

- . terminal board (PTC, 6.3mm) 16403700
- b cover terminal board 10636401
- . cable clamp 11341000
- . screw - uni6954 10636000
- . screw - uni6954 10636200
- . screw uni en iso 4757 10641201

Model

Designation	HXK87AT	200-240V/50Hz	Conf. 2	Sales code:	16408900
-------------	----------------	----------------------	----------------	-------------	-----------------

Optimization + standard conditions

R600a, 200V/50Hz, RSIR, static, VDE

		Evaporating pressure (saturation temperature)				Condensing pressure (saturation temperature)			Return gas temp.		Liquid temp.		Cooling capacity			COP	EER	Power consumption		Current consumption		Ref. mass flow	
		pe	pc	RGT	Tliq	[W]	[Btu/h]	[kcal/h]	[W/W]	[Btu/Wh]	[kcal/Wh]	[W]	[A]	[kg/h]			P1	I	m				
[°C]	[°F]	[°C]	[°F]	[°C]	[°C]																		
-23	-10	54	130	32	32	153,7	525	132,3	1,67	5,70	1,44	92,2	0,48	1,65								ASHRAE LBP	
-25	-13	55	131	32	55	115,9	396	99,7	1,31	4,46	1,12	88,7	0,45	1,51								cecomaf LBP	
-35	-31	40	104	20	40	90,5	309	77,9	1,31	4,48	1,13	69,0	0,32	1,10								EN12900 LBP	
-23	-10	49	120	4,4	49	124,2	424	106,9	1,39	4,73	1,19	89,6	0,47	1,81								ARI540 LBP	
-23	-10	41	105	32	32	161,5	551	138,9	1,90	6,47	1,63	85,2	0,45	1,73								AHAM LBP	
-35	-31	45	113	32	45	87,9	300	75,7	1,25	4,27	1,08	70,3	0,31	1,04								opt	

Performance tables

R600a, 200V/50Hz, RSIR, static, VDE

	pe		Cooling capacity			COP	EER	P1			I	m
	[°C]	[°F]	[W]	[Btu/h]	[kcal/h]	[W/W]	[Btu/Wh]	[kcal/Wh]	[W]	[A]	[kg/h]	
[°C / °F]	-35	-31	87,9	300	75,7	1,25	4,27	1,08	70,3	0,31	1,04	
cond. pressure	-30	-22	105,3	360	90,6	1,38	4,70	1,19	76,4	0,39	1,25	
pc= 45/113	-25	-13	132,4	452	114,0	1,57	5,35	1,35	84,5	0,44	1,58	
return gas temp.	-23	-10	143,8	491	123,7	1,64	5,60	1,41	87,6	0,46	1,71	
RGT= 32/90	-20	-4	168,7	576	145,2	1,79	6,13	1,54	94,1	0,49	2,01	
liquid temp	-15	5	213,4	729	183,7	2,04	6,98	1,76	104,5	0,53	2,55	
Tliq= 45/113	-10	14	265,8	908	228,7	2,30	7,87	1,98	115,3	0,58	3,18	
[°C / °F]	-35	-31	72,2	246	62,1	1,03	3,50	0,88	70,4	0,26	0,94	
cond. pressure	-30	-22	90,1	308	77,5	1,15	3,91	0,99	78,7	0,37	1,17	
pc= 55/131	-25	-13	115,9	396	99,7	1,31	4,46	1,12	88,7	0,45	1,51	
return gas temp	-23	-10	126,3	431	108,7	1,37	4,67	1,18	92,5	0,48	1,65	
RGT= 32/90	-20	-4	148,8	508	128,1	1,49	5,08	1,28	100,1	0,52	1,94	
liquid temp	-15	5	188,2	643	161,9	1,68	5,73	1,44	112,2	0,57	2,46	
Tliq= 55/131	-10	14	233,2	797	200,7	1,87	6,39	1,61	124,6	0,62	3,06	

Model

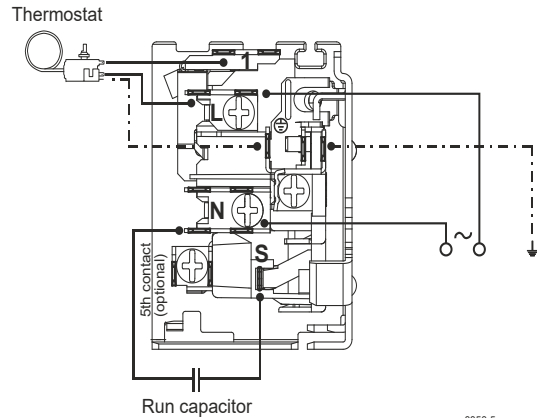
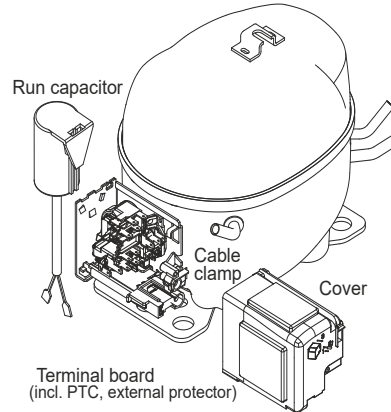
Designation	HXK87AT	220-240V/50Hz	Conf. 3	Sales code:	16408900
-------------	----------------	----------------------	----------------	-------------	-----------------

Configuration

Motorconfiguration	RSCR
Power supply (nominal)	220-240V/50Hz 1~
Refrigerant	R600a
Application	LBP
Voltage range	170-264V
Starting torque	LST
Approvals	VDE

Electrical accessories / wiring diagram

RSCR

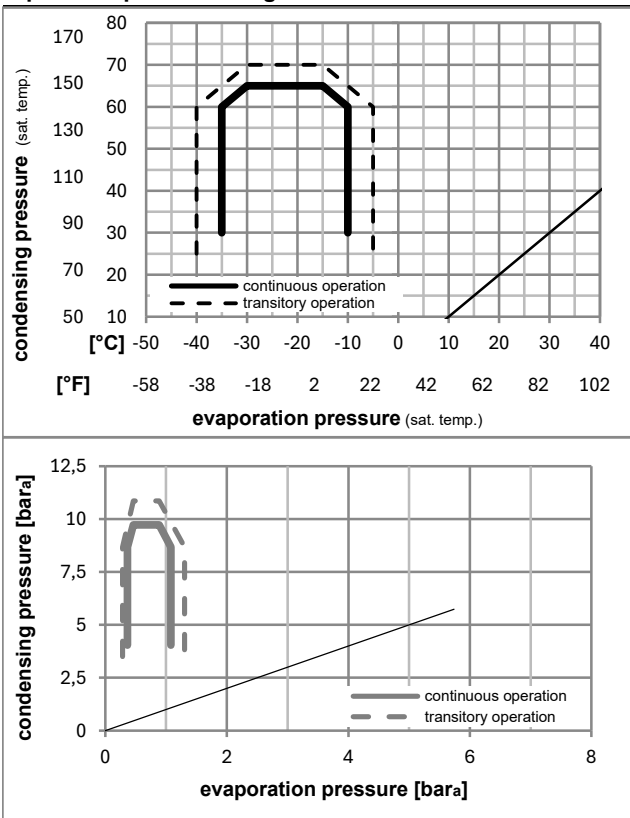


8858-5

Ambient/ machine room temperatures minimum /maximum

Ambient temperature range:	10 - 43°C / 50 - 110°F
Machine room temperature range:	10 - 48°C / 50 - 119°F
Compressor cooling:	static

Operation pressure range



Components

. terminal board (PTC, 6.3mm)	16403700
. run capacitor (4μF, 6.3mm)	15186801
b cover terminal board	10636401
. cable clamp	11341000
. screw - uni6954	10636000
. screw - uni6954	10636200

Alternative components

. screw uni en iso 4757	10641201
-------------------------	----------

Model

Designation **HXK87AT** **220-240V/50Hz** Conf. 3 Sales code: **16408900**

Optimization + standard conditions

R600a, 220V/50Hz, RSCR, static, VDE

	pe	pc	RGT	Tliq	Cooling capacity	COP	EER	P1	I	Ref. mass flow	
	[°C]	[°C]	[°C]	[°C]	[W]	[W/W]	[Btu/Wh]	[W]	[A]	[kg/h]	
Evaporating pressure (saturation temperature)	-23	54	32	32	154,9	1,71	5,84	90,5	0,47	1,66	ASHRAE LBP
Condensing pressure (saturation temperature)	-10	130	90	90	529	1,71	5,84	90,5	0,47	1,66	ASHRAE LBP
Return gas temp.					133,3	1,71	5,84	90,5	0,47	1,66	ASHRAE LBP
Liquid temp.					154,9	1,71	5,84	90,5	0,47	1,66	ASHRAE LBP
ASHRAE LBP					154,9	1,71	5,84	90,5	0,47	1,66	ASHRAE LBP
cecomaf LBP					116,7	1,34	4,58	87,1	0,45	1,52	cecomaf LBP
EN12900 LBP					91,2	1,35	4,60	67,7	0,32	1,11	EN12900 LBP
ARI540 LBP					125,1	1,42	4,85	88,0	0,46	1,83	ARI540 LBP
AHAM LBP					162,7	1,94	6,64	83,6	0,44	1,75	AHAM LBP
opt					88,6	1,28	4,38	69,0	0,30	1,05	opt

Performance tables

R600a, 220V/50Hz, RSCR, static, VDE

	pe	Cond. pressure	pc= 45/113	return gas temp.	RGT= 32/90	liquid temp	Tliq= 45/113	COP	EER	P1	I	m
	[°C]	[°C]	[°C]	[°C]	[°C]	[°C]	[°C]	[W/W]	[Btu/Wh]	[W]	[A]	[kg/h]
ASHRAE LBP	-35	-31	88,6	302	76,2	1,28	4,38	1,10	69,0	0,30	1,05	
cecomaf LBP	-30	-22	106,0	362	91,3	1,41	4,83	1,22	75,0	0,38	1,26	
EN12900 LBP	-25	-13	133,4	456	114,8	1,61	5,49	1,38	83,0	0,44	1,59	
ARI540 LBP	-23	-10	144,9	495	124,7	1,68	5,75	1,45	86,0	0,45	1,73	
AHAM LBP	-20	-4	170,0	580	146,3	1,84	6,29	1,58	92,3	0,48	2,03	
opt	-15	5	215,0	734	185,0	2,10	7,16	1,80	102,6	0,52	2,57	
ASHRAE LBP	-10	14	267,7	914	230,4	2,36	8,08	2,04	113,2	0,57	3,21	
cecomaf LBP	-35	-31	72,7	248	62,6	1,05	3,59	0,91	69,1	0,26	0,95	
EN12900 LBP	-30	-22	90,8	310	78,1	1,18	4,01	1,01	77,2	0,37	1,18	
ARI540 LBP	-25	-13	116,7	399	100,5	1,34	4,58	1,15	87,1	0,45	1,52	
AHAM LBP	-23	-10	127,3	435	109,5	1,40	4,79	1,21	90,8	0,47	1,66	
opt	-20	-4	149,9	512	129,0	1,53	5,21	1,31	98,3	0,51	1,96	
ASHRAE LBP	-15	5	189,6	647	163,1	1,72	5,88	1,48	110,2	0,56	2,48	
cecomaf LBP	-10	14	235,0	802	202,2	1,92	6,56	1,65	122,4	0,61	3,08	

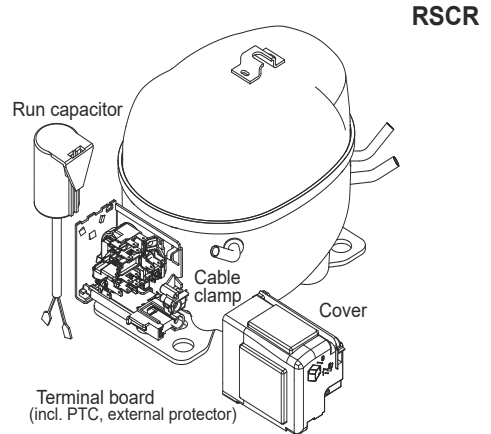
Model

Designation **HXK87AT** **208-230V/60Hz** Conf. 4 Sales code: **16408900**

Configuration

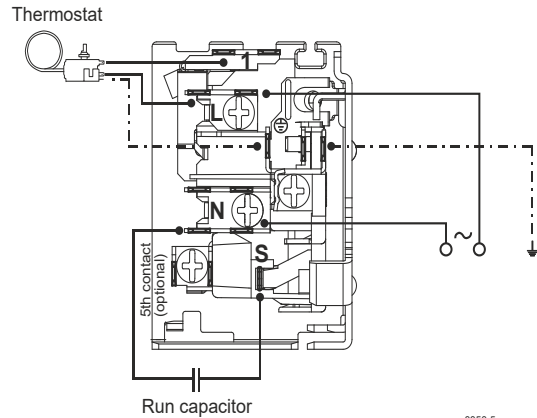
Motorconfiguration RSCR
 Power supply (nominal) 208-230V/60Hz 1~
 Refrigerant R600a
 Application LBP
 Voltage range 198-253V
 Starting torque LST
 Approvals VDE

Electrical accessories / wiring diagram

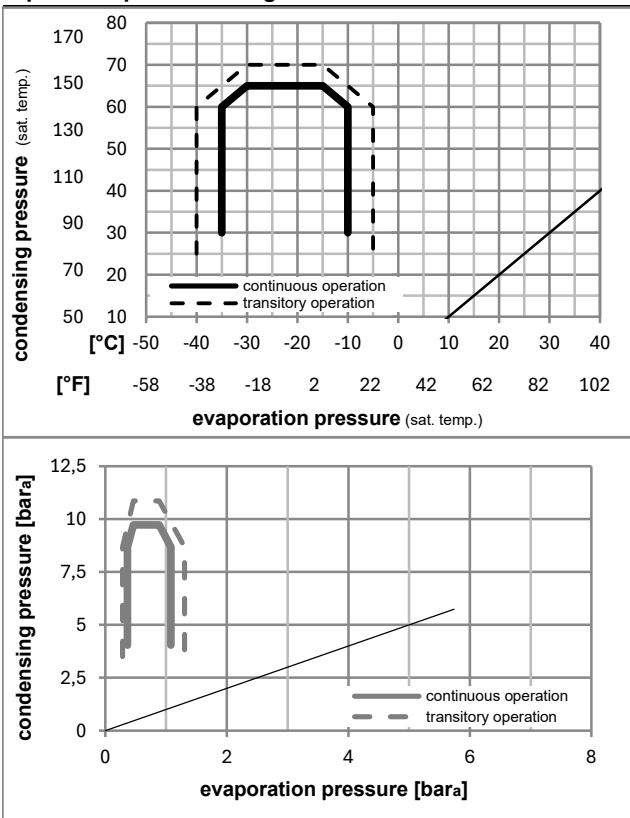


Ambient/ machine room temperatures minimum /maximum

Ambient temperature range: 10 - 43°C / 50 - 110°F
 Machine room temperature range: 10 - 48°C / 50 - 119°F
 Compressor cooling: static



Operation pressure range



Components

. terminal board (PTC, 6.3mm)	16403700
. run capacitor (4μF, 6.3mm)	15186801
b cover terminal board	10636401
. cable clamp	11341000
. screw - uni6954	10636000
. screw - uni6954	10636200

Alternative components

. screw uni en iso 4757	10641201
-------------------------	----------

Model

Designation **HXK87AT** **208-230V/60Hz** Conf. 4 Sales code: **16408900**

Optimization + standard conditions

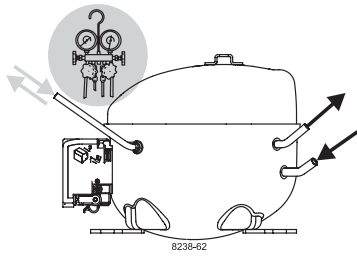
R600a, 220V/60Hz, RSCR, static, VDE

	Evaporating pressure (saturation temperature)				Condensing pressure (saturation temperature)			COP	EER	Power consumption			ASHRAE LBP	
	pe	pc	RGT	Tliq	[W]	[Btu/h]	[kcal/h]			P1	I	Ref. mass flow		
	[°C]	[°F]	[°C]	[°F]	[W]	[Btu/h]	[kcal/h]	[W/W]	[Btu/Wh]	[kcal/Wh]	[W]	[A]	[kg/h]	
	-23	54	32	32	183,6	627	158,0	1,77	6,04	1,52	103,9	0,54	1,97	ASHRAE LBP
	-10	130	90	90										
	-25	55	32	55	138,5	473	119,2	1,38	4,73	1,19	100,0	0,51	1,81	cecomaf LBP
	-13	131	90	131										
	-35	40	20	40	106,9	365	92,0	1,38	4,70	1,18	77,7	0,36	1,30	EN12900 LBP
	-31	104	68	104										
	-23	49	4,4	49	147,8	505	127,2	1,46	5,00	1,26	101,0	0,53	2,16	ARI540 LBP
	-10	120	40	120										
	-23	41	32	32	190,7	651	164,1	1,99	6,78	1,71	96,0	0,51	2,05	AHAM LBP
	-10	105	90	90										
	-35	45	32	45	104,5	357	90,0	1,32	4,51	1,14	79,2	0,35	1,24	opt
	-31	113	90	113										

Performance tables

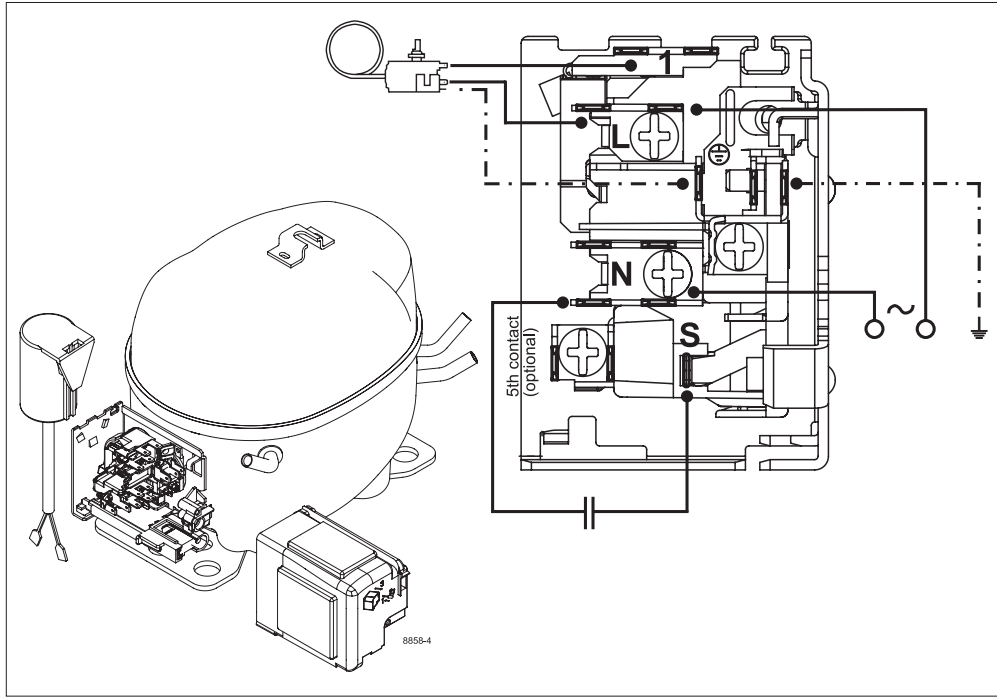
R600a, 220V/60Hz, RSCR, static, VDE

	pe		Cooling capacity			COP	EER		P1	I	m
	[°C]	[°F]	[W]	[Btu/h]	[kcal/h]		[Btu/Wh]	[kcal/Wh]			
[°C / °F]	-35	-31	104,5	357	90,0	1,32	4,51	1,14	79,2	0,35	1,24
cond. pressure	-30	-22	124,9	426	107,5	1,45	4,95	1,25	86,2	0,43	1,48
pc= 45/113	-25	-13	157,0	536	135,1	1,65	5,63	1,42	95,3	0,50	1,87
return gas temp.	-23	-10	170,4	582	146,6	1,72	5,89	1,48	98,8	0,52	2,03
RGT= 32/90	-20	-4	199,9	683	172,1	1,89	6,44	1,62	106,0	0,55	2,38
liquid temp	-15	5	253,0	864	217,7	2,15	7,34	1,85	117,8	0,60	3,02
Tliq= 45/113	-10	14	315,2	1076	271,2	2,42	8,28	2,09	130,0	0,65	3,77
[°C / °F]	-35	-31	87,0	297	74,9	1,10	3,75	0,94	79,3	0,30	1,13
cond. pressure	-30	-22	108,0	369	93,0	1,22	4,16	1,05	88,7	0,42	1,41
pc= 55/131	-25	-13	138,5	473	119,2	1,38	4,73	1,19	100,0	0,51	1,81
return gas temp	-23	-10	150,9	515	129,8	1,45	4,94	1,25	104,2	0,54	1,97
RGT= 32/90	-20	-4	177,6	606	152,8	1,57	5,38	1,35	112,8	0,58	2,32
liquid temp	-15	5	224,4	766	193,1	1,77	6,06	1,53	126,5	0,64	2,94
Tliq= 55/131	-10	14	278,2	950	239,4	1,98	6,76	1,70	140,5	0,70	3,65



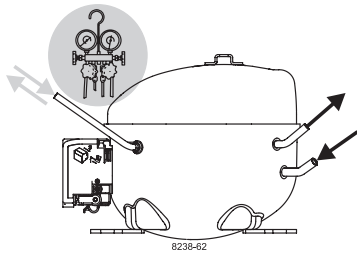
K-Series Compressors

GTK, HKK, HMK, HTK, HXK, HZK



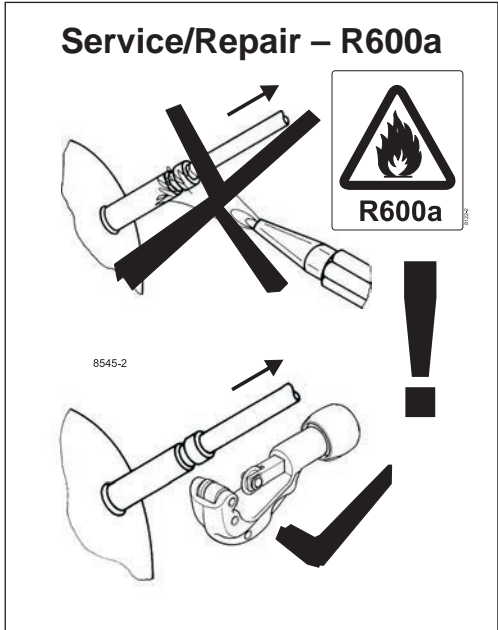
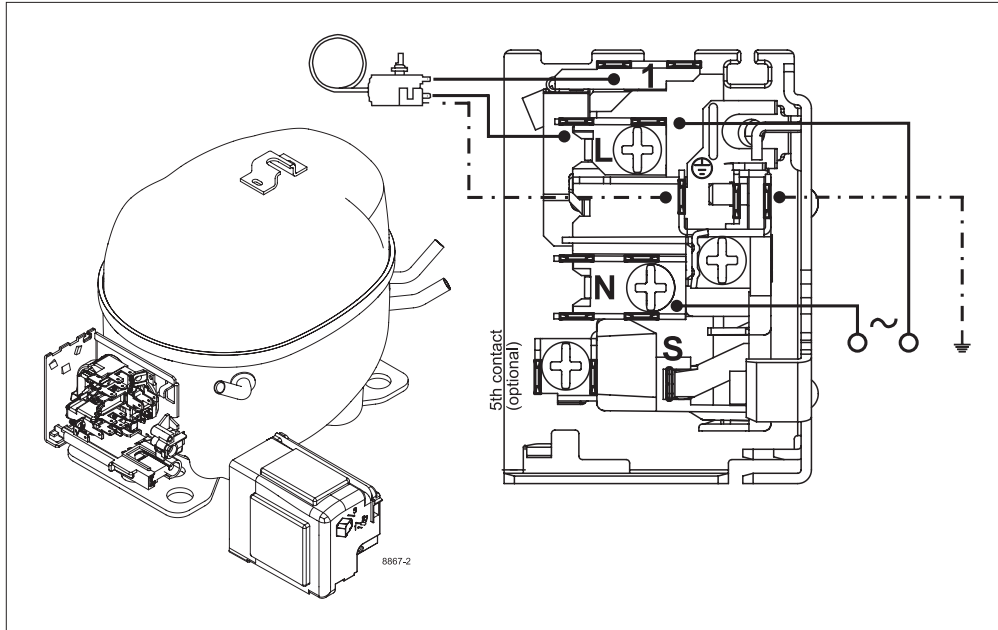
Service/Repair – R600a

8545-2



K-Series Compressors

GTK, HKK, HMK, HTK, HXK, HZK



Secop accepts no responsibility for possible errors in catalogs, brochures, and other printed material. Secop reserves the right to alter its products without notice. This also applies to products already on order provided that such alterations can be made without subsequential changes being necessary to specifications already agreed. All trademarks in this material are the property of the respective companies. Secop and the Secop logotype are trademarks of Secop GmbH. All rights reserved. www.secop.com