

Single Pack SC10CL 115V 60Hz CSIR

Single pack code number: **195B4663**

| Position | Title | Code | Amount |
|----------|--|----------|--------|
| 1 | Compressor SC10CL | 104L1509 | 1 |
| 2 | Bolt joint for one compressor M6 ø16mm | 118-1917 | 1 |

SC10CL LBP/MBP Compressor R404A/R507 115V 60Hz

General

| | |
|-----------------------|----------|
| Code number | 104L1509 |
| Approvals | UL984 |
| Compressors on pallet | 80 |

Application

| Application | LBP/MBP | | | |
|--|---------|----|-----------|--|
| Frequency | Hz | 50 | 60 | |
| Evaporating temperature | °F | - | -40 to 45 | |
| Voltage range | V | - | 103 - 127 | |
| Max. condensing temperature continuous (short) | °F | - | 131 (140) | |
| Max. winding temperature continuous (short) | °F | - | 257 (275) | |

Cooling requirements

| Frequency | Hz | 50 | | | 60 | | |
|-------------------------|----|-----|-----|-----|----------------|----------------|-----|
| Application | | LBP | MBP | HBP | LBP | MBP | HBP |
| 90°F | | - | - | - | F ₂ | F ₂ | - |
| 100°F | | - | - | - | F ₂ | F ₂ | - |
| 110°F | | - | - | - | F ₂ | F ₂ | - |
| Remarks on application: | | | | | | | |

Motor

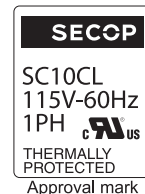
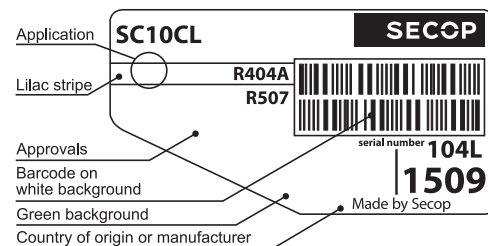
| Motor type | CSIR | | |
|---|------|------|-----|
| LRA (rated after 4 sec. UL984), HST LST | A | 41.9 | - |
| Cut in Current, HST LST | A | 41.9 | - |
| Resistance, main start winding (77°F) | Ω | 1.0 | 4.3 |

Design

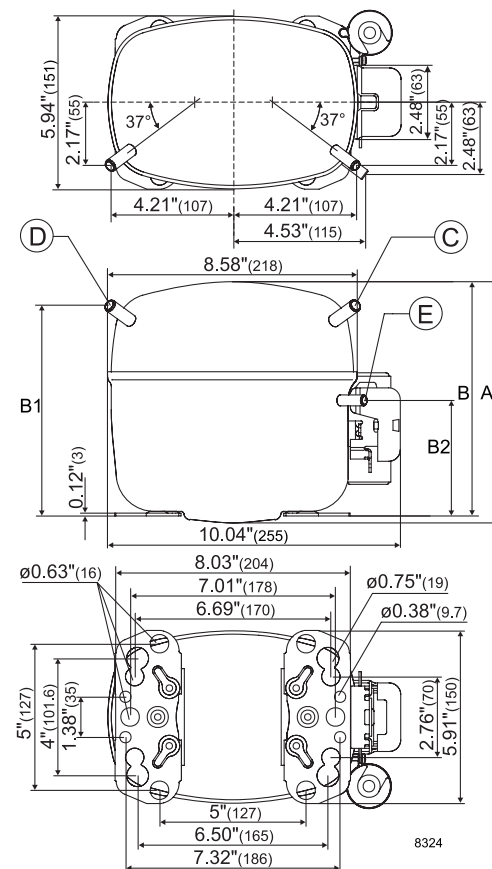
| | | |
|-------------------------------------|--------|--------------------|
| Displacement | cu.in | 0.63 |
| Oil quantity (type) | fl.oz. | 16.9 (polyolester) |
| Maximum refrigerant charge | oz. | 45.8 |
| Free gas volume in compressor | fl.oz. | 51.1 |
| Weight without electrical equipment | lbs. | 27.7 |

Dimensions

| Height | inch | A | 8.23 |
|----------------------|----------------------------|----|----------------------|
| | | B | 8.00 |
| | | B1 | 7.20 |
| | | B2 | 3.93 |
| Suction connector | location, I.D. in. angle | C | 0.320-0.327 37° |
| | material comment | | Copper Rubber plug |
| Process connector | location, I.D. in. angle | D | 0.252-0.259 37° |
| | material comment | | Copper Rubber plug |
| Discharge connector | location, I.D. in. angle | E | 0.252-0.259 37° |
| | material comment | | Copper Rubber plug |
| Oil cooler connector | location, I.D. in. angle | F | - |
| | material comment | | - |
| Remarks: | | | |



- S = Static cooling normally sufficient
- O = Oil cooling
- F₁ = Fan cooling 1.5 m/s
(compressor compartment temperature equal to ambient temperature)
- F₂ = Fan cooling 3.0 m/s necessary
- SG = Suction gas cooling normally sufficient
- = not applicable in this area



ASHRAE LBP

115V, 60Hz, fan cooling F₂

| | | | | | | | | | | | | | | | | | |
|--------------------|-----|------|------|------|------|------|------|------|------|------|------|------|------|------|----|----|----|
| Evap. temp. in °F | -49 | -40 | -30 | -20 | -13 | -10 | 0 | 10 | 14 | 20 | 30 | 40 | 41 | 45 | 50 | 59 | 68 |
| Capacity in BTU/h | | 122 | 482 | 909 | 1257 | 1420 | 2034 | 2769 | 3101 | 3643 | 4677 | 5893 | 6025 | 6576 | | | |
| Power cons. in W | | 145 | 248 | 339 | 398 | 422 | 500 | 573 | 602 | 645 | 719 | 795 | 803 | 835 | | | |
| Current cons. in A | | 4.21 | 4.64 | 5.10 | 5.44 | 5.58 | 6.09 | 6.63 | 6.85 | 7.19 | 7.78 | 8.39 | 8.45 | 8.71 | | | |
| EER in BTU/Wh | | 0.84 | 1.95 | 2.68 | 3.16 | 3.36 | 4.07 | 4.83 | 5.15 | 5.64 | 6.51 | 7.41 | 7.50 | 7.87 | | | |

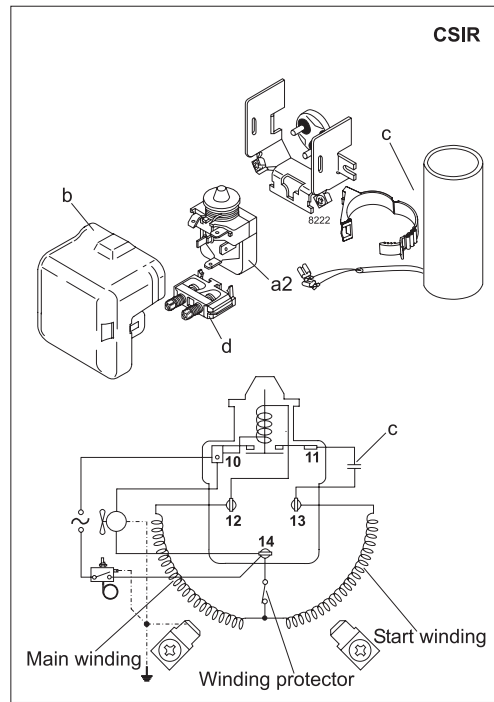
ASHRAE MBP

115V, 60Hz, fan cooling F₂

| | | | | | | | | | | | | | | | | | |
|--------------------|-----|------|------|------|------|------|------|------|------|------|------|------|------|------|----|----|----|
| Evap. temp. in °F | -49 | -40 | -30 | -20 | -13 | -10 | 0 | 10 | 14 | 20 | 30 | 40 | 41 | 45 | 50 | 59 | 68 |
| Capacity in BTU/h | | 104 | 412 | 776 | 1073 | 1212 | 1734 | 2357 | 2638 | 3096 | 3968 | 4989 | 5100 | 5560 | | | |
| Power cons. in W | | 145 | 248 | 339 | 398 | 422 | 500 | 573 | 602 | 645 | 719 | 795 | 803 | 835 | | | |
| Current cons. in A | | 4.21 | 4.64 | 5.10 | 5.44 | 5.58 | 6.09 | 6.63 | 6.85 | 7.19 | 7.78 | 8.39 | 8.45 | 8.71 | | | |
| EER in BTU/Wh | | 0.71 | 1.66 | 2.29 | 2.69 | 2.87 | 3.47 | 4.11 | 4.38 | 4.80 | 5.52 | 6.27 | 6.35 | 6.66 | | | |

EN 12900 Household (CECOMAF)* 115V, 60Hz, fan cooling F₂

| | | | | | | | | | | | | | | | | | |
|--------------------|-----|------|------|------|------|------|------|------|------|------|------|------|------|------|----|----|----|
| Evap. temp. in °F | -49 | -40 | -30 | -20 | -13 | -10 | 0 | 10 | 14 | 20 | 30 | 40 | 41 | 45 | 50 | 59 | 68 |
| Capacity in W | | 75 | 184 | 310 | 411 | 458 | 632 | 834 | 924 | 1070 | 1342 | 1655 | 1688 | 1827 | | | |
| Power cons. in W | | 193 | 284 | 364 | 415 | 436 | 502 | 565 | 590 | 628 | 691 | 759 | 766 | 795 | | | |
| Current cons. in A | | 4.45 | 4.79 | 5.15 | 5.42 | 5.54 | 5.96 | 6.40 | 6.59 | 6.87 | 7.36 | 7.88 | 7.93 | 8.15 | | | |
| COP in W/W | | 0.39 | 0.65 | 0.85 | 0.99 | 1.05 | 1.26 | 1.48 | 1.57 | 1.70 | 1.94 | 2.18 | 2.20 | 2.30 | | | |



| Accessories for | SC10CL | Figure | Code number | Test conditions | ASHRAE LBP | ASHRAE MBP | EN 12900/CECOMAF* |
|---------------------------|-------------------------|--------|-------------|-----------------------------|------------|------------|-------------------|
| PTC starting device | 1/4 in. spade connect. | - | - | Condensing temp. | 130°F | 130°F | 130°F |
| | 3/16 in. spade connect. | | - | Ambient temperature | 90°F | 95°F | 90°F |
| Starting relay | 1/4 in. spade connect. | a2 | 117U6020 *) | Suction gas temp. | 90°F | 95°F | 90°F |
| Cover | | b | 103N2008 *) | Liquid temperature | 90°F | 115°F | no subcooling |
| Start. capacitor 240 µF | 1/4 in. spade connect. | c | 117U5023 *) | Mounting accessories | | | |
| Cord relief | | d | 103N1004 *) | Code number | | | |
| Protection screen for PTC | | - | - | Bolt joint for one comp. | Ø: 5/8 in. | 118-1917 | |
| *) Remarks: pre-assembled | | | | Bolt joint in quantities | Ø: 5/8 in. | 118-1918 | |
| | | | | Snap-on in quantities | Ø: 5/8 in. | 118-1919 | |

Secop accepts no responsibility for possible errors in catalogs, brochures, and other printed material. Secop reserves the right to alter its products without notice. This also applies to products already on order provided that such alterations can be made without subsequential changes being necessary to specifications already agreed. All trademarks in this material are the property of the respective companies. Secop and the Secop logotype are trademarks of Secop GmbH. All rights reserved. www.secop.com



SC Compressors





SC Compressors

Service/Repair – R290



8545



Secop accepts no responsibility for possible errors in catalogs, brochures, and other printed material. Secop reserves the right to alter its products without notice. This also applies to products already on order provided that such alterations can be made without subsequent changes being necessary to specifications already agreed. All trademarks in this material are the property of the respective companies. Secop and the Secop logotype are trademarks of Secop GmbH. All rights reserved. www.secop.com