

Single Pack HXK80AA_F 220-240V 50Hz RSIR

Single pack code number: **195B4665**

| Position | Title | Code | Amount |
|----------|--|----------|--------|
| 1 | Compressor HXK80AA_F | 16414500 | 1 |
| 2 | Sleeve | 10631600 | 4 |
| 3 | Screw for cable clamp | 10636000 | 1 |
| 4 | Screw for cable clamp | 10636200 | 1 |
| 5 | Cover | 10636401 | 1 |
| 6 | Earth screw | 10641201 | 1 |
| 7 | Rubber grommet 16mm | 11322600 | 4 |
| 8 | Cable clamp | 11341000 | 1 |
| 9 | e-PTC starting device (240V, overload protector AE24FW6F4) | 15619800 | 1 |

Secop GmbH • Lise-Meitner-Straße 29 • 24941 Flensburg, Germany • Tel: +49 461 4941 0 • www.secop.com

Secop accepts no responsibility for possible errors in catalogs, brochures, and other printed material. Secop reserves the right to alter its products without notice. This also applies to products already on order provided that such alterations can be made without subsequent changes being necessary to specifications already agreed. All trademarks in this material are the property of the respective companies. Secop and the Secop logotype are trademarks of Secop GmbH. All rights reserved.

Model

| | | | | |
|-------------|----------------|------------------|-------------|-----------------|
| Designation | HXK80AA | 220-240V/50Hz 1~ | Sales code: | 16414500 |
|-------------|----------------|------------------|-------------|-----------------|

Compressor design

| | | | |
|----------------------------|---------------------------------|-----------------------|--------------------------------|
| Oil type | Mineral | Refrigerant(s) | R600a |
| Oil viscosity | 5cST | Displacement | 8,1cm ³ / 0,49cu.in |
| Oil quantity | 162cm ³ / 5,5fl.oz | Compressors on pallet | 100 |
| Refr. charge - tech. limit | 150g / 5,3oz | | |
| Free gas volume comp. | 1620cm ³ / 54,8fl.oz | | |
| Weight | 9kg / 19,8lbs | | |
| Motor protection | external | | |
| Winding resistance main | 27,7Ω (at 25°C) | | |
| Winding resistance aux | 18,8Ω (at 25°C) | | |
| Max. winding temp. | 130°C / 266°F | | |
| Max. discharge temp. | 130°C / 266°F | | |



General - Configurations with HXK80AA

| | Conf. 1 | Conf. 2 |
|------------------------|--|----------------|
| Motorconfiguration | eRSCR | RSCR |
| Power supply (nominal) | 220-240V/50Hz | 220-240V/50Hz |
| Number of phases | 1 | 1 |
| Voltage range | 187-264V | 187-264V |
| Approvals | VDE | VDE |
| Starting torque | LST | LST |
| Note | Various options of connectors are possible - please contact SECOP-Sales. | |

Applications with HXK80AA

| | Conf. 1 | Conf. 2 |
|-------------------------|----------------|----------------|
| Refrigerant | R600a | R600a |
| Application | LBP | LBP |
| System cooling | static | static |
| Hot gas defrost | -/- | -/- |
| Long interval pull down | -/- | -/- |

Electrical data - Configurations with HXK80AA

| | Conf. 1 | Conf. 2 |
|------------------------------------|----------------|----------------|
| Starting device type | e-PTC | PTC |
| Run capacitor | 3μF | 3μF |
| Start capacitor | -/- | -/- |
| LRA (locked rotor amps / 4s/ U(N)) | | |
| RLA (rated load amps / 1s/ U(N)) | -/-A | -/-A |
| Cut in current (U(N)) | | |

Model

Designation

HXK80AA

220-240V/50Hz 1~

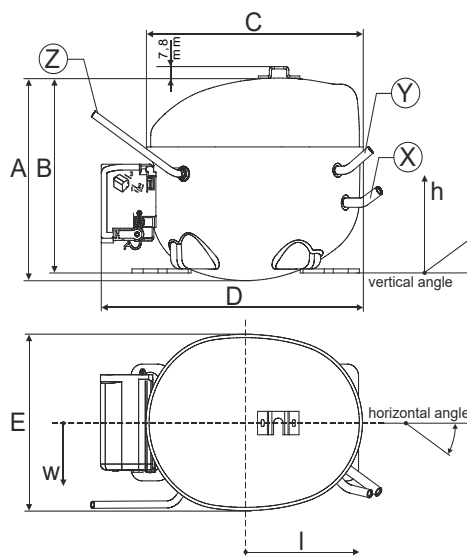
Sales code:

16414500

Compressor dimensions

| Housing | A Height | 174mm / 6,85in |
|---------|-------------------|----------------|
| | B Height | 167mm / 6,57in |
| | C Length shell | 194mm / 7,64in |
| | D Length w. cover | 238mm / 9,37in |
| | E Width | 151mm / 5,94in |

| Connectors | | Suction | Discharge | Process |
|-----------------------|------|--------------|-------------|--------------|
| | | X | Y | Z |
| Diameter | [mm] | øi 6,1-6,2 | øi 5,1-5,2 | øo 5,92-6,08 |
| (i:inside, o:outside) | [in] | øi 0,24-0,24 | øi 0,2-0,2 | øo 0,23-0,24 |
| Material | | copper | copper | copper |
| Horizontal angle | ±2° | 45° | 13° | 0° |
| Vertical angle | ±2° | 30° | 40° | 145° |
| Position l/h/w | [mm] | 120/72/62 | 112/106/62 | -140/136/70 |
| | [in] | 4,7/2,8/2,4 | 4,4/4,2/2,4 | -5,5/5,4/2,8 |
| Straight tube l. | [mm] | 14 | 14 | 75 |
| | [in] | 0,5 | 0,5 | 3 |



Compressor fixation



| Baseplate | [mm] | [inch] |
|-------------|------|--------|
| BI | 204 | 8,03 |
| BW | 100 | 3,94 |
| Small holes | [mm] | [inch] |
| SI | 170 | 6,7 |
| SW | 70 | 2,76 |
| S2l | 178 | 7 |
| øS | ø 16 | ø 0.63 |

Bolt joint



Snap-on



Mounting accessories

'4ZN' with rubber grommet

order code

772N

'4ZN' with rubber grommet and sleeve for M6

768N

Bolt joint kit

4ZN + 118-1917 (18)

'4ZN' with Snap on kit

776N

Application notes

Provision for PE Grounding is located at the PE Stamp on the compressor

Housing with dip-tray fixture (omega bracket).

Various options of connectors are possible - please contact SECOP-Sales.

Model

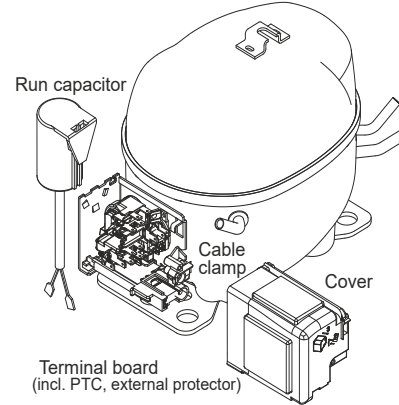
| | | | | | |
|-------------|----------------|----------------------|---------|-------------|-----------------|
| Designation | HXK80AA | 220-240V/50Hz | Conf. 1 | Sales code: | 16414500 |
|-------------|----------------|----------------------|---------|-------------|-----------------|

Configuration

| | |
|------------------------|------------------|
| Motorconfiguration | eRSCR |
| Power supply (nominal) | 220-240V/50Hz 1~ |
| Refrigerant | R600a |
| Application | LBP |
| Voltage range | 187-264V |
| Starting torque | LST |
| Approvals | VDE |

Electrical accessories / wiring diagram

RSCR

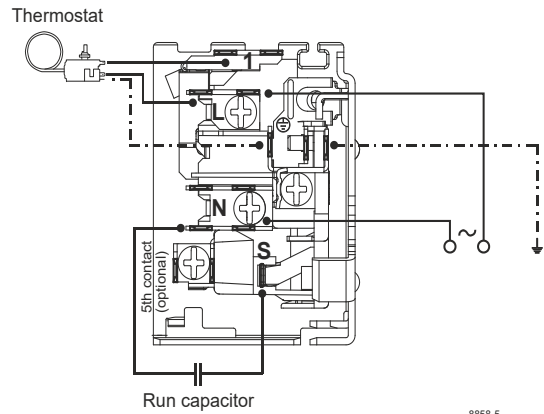


Ambient/ machine room temperatures minimum /maximum

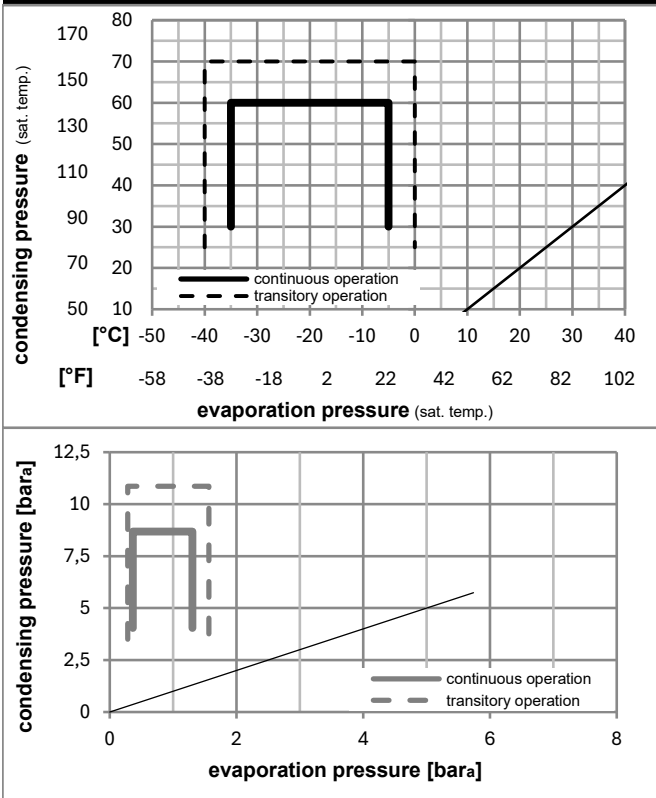
Ambient temperature range: 10 - 43°C / 50 - 110°F

Machine room temperature range: 10 - 48°C / 50 - 119°F

Compressor cooling: static



Operation pressure range



Components

| | |
|-------------------------------------|----------|
| . terminal board (e-PTC, 4.8mm) | 15619800 |
| . run capacitor (3μF, 4.8mm) | 10692902 |
| b cover terminal board | 10636401 |
| . Cable clamp (screws not included) | 11341000 |
| . screw - uni6954 | 10636000 |
| . screw - uni6954 | 10636200 |

Alternative components

| | |
|------------------------------|----------|
| . run capacitor (3μF, 4.8mm) | 10693200 |
| . screw uni en iso 4757 | 10641201 |

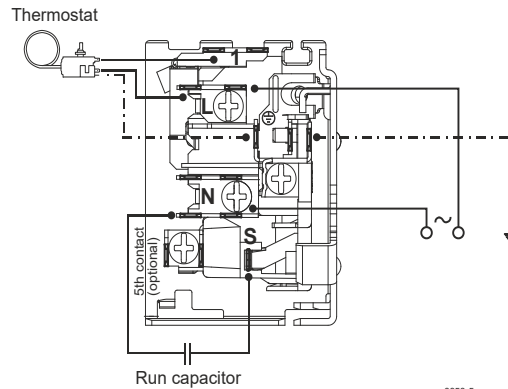
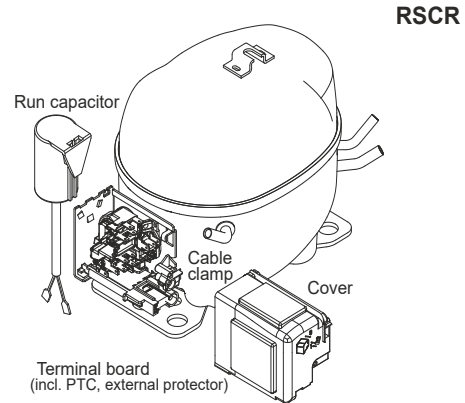
Model

| | | | | | |
|-------------|----------------|----------------------|----------------|-------------|-----------------|
| Designation | HXK80AA | 220-240V/50Hz | Conf. 2 | Sales code: | 16414500 |
|-------------|----------------|----------------------|----------------|-------------|-----------------|

Configuration

| | |
|------------------------|------------------|
| Motorconfiguration | RSCR |
| Power supply (nominal) | 220-240V/50Hz 1~ |
| Refrigerant | R600a |
| Application | LBP |
| Voltage range | 187-264V |
| Starting torque | LST |
| Approvals | VDE |

Electrical accessories / wiring diagram



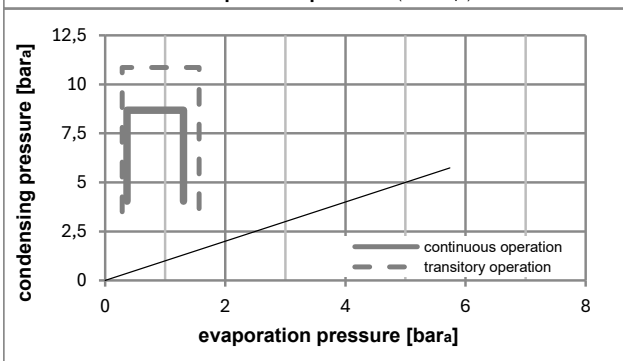
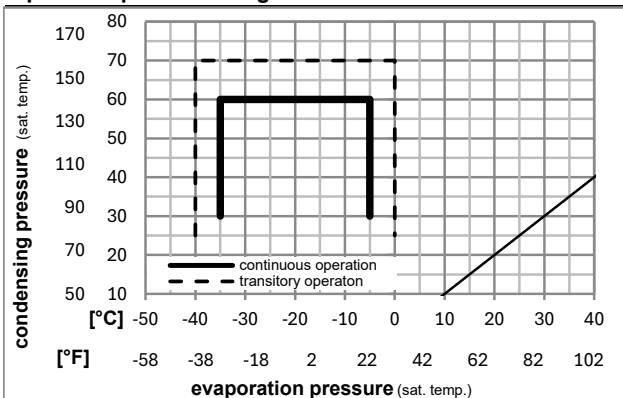
Ambient/ machine room temperatures minimum /maximum

Ambient temperature range: 10 - 43°C / 50 - 110°F

Machine room temperature range: 10 - 48°C / 50 - 119°F

Compressor cooling: static

Operation pressure range



Components

| | |
|-----------------------------------|----------|
| terminal board (PTC, 4.8mm) | 15661200 |
| run capacitor (3μF, 4.8mm) | 10692902 |
| cover terminal board | 10636401 |
| Cable clamp (screws not included) | 11341000 |
| screw - uni6954 | 10636000 |
| screw - uni6954 | 10636200 |

Alternative components

| | |
|----------------------------|----------|
| run capacitor (3μF, 4.8mm) | 10693200 |
| screw uni en iso 4757 | 10641201 |

Model

| | | | | | |
|-------------|----------------|----------------------|----------------|-------------|-----------------|
| Designation | HXK80AA | 220-240V/50Hz | Conf. 2 | Sales code: | 16414500 |
|-------------|----------------|----------------------|----------------|-------------|-----------------|

Optimization + standard conditions

R600a, 220V/50Hz, RSCR, static, VDE

| | Evaporating pressure (saturation temperature) | | | | Cooling capacity | | | COP | EER | P1 | Power consumption | | Ref. mass flow | |
|------|---|-----|-----|------|------------------|---------|----------|------|------|------|-------------------|------|----------------|-------------|
| | pe | pc | RGT | Tliq | [W] | [Btu/h] | [kcal/h] | | | | [W] | [A] | | |
| [°C] | -23 | 54 | 32 | 32 | 140,0 | 478 | 120,4 | 1,90 | 6,48 | 1,63 | 73,7 | 0,35 | 1,50 | ASHRAE LBP |
| [°F] | -10 | 130 | 90 | 90 | | | | | | | | | | |
| [°C] | -25 | 55 | 32 | 55 | 105,0 | 359 | 90,4 | 1,49 | 5,09 | 1,28 | 70,4 | 0,34 | 1,37 | cecomaf LBP |
| [°F] | -13 | 131 | 90 | 131 | | | | | | | | | | |
| [°C] | -35 | 40 | 20 | 40 | 72,5 | 247 | 62,4 | 1,42 | 4,85 | 1,22 | 51,0 | 0,27 | 0,88 | EN12900 LBP |
| [°F] | -31 | 104 | 68 | 104 | | | | | | | | | | |
| [°C] | -23 | 49 | 4,4 | 49 | 113,6 | 388 | 97,7 | 1,58 | 5,39 | 1,36 | 71,9 | 0,34 | 1,66 | ARI540 LBP |
| [°F] | -10 | 120 | 40 | 120 | | | | | | | | | | |
| [°C] | -23 | 41 | 32 | 32 | 149,6 | 511 | 128,8 | 2,15 | 7,35 | 1,85 | 69,5 | 0,33 | 1,61 | AHAM LBP |
| [°F] | -10 | 105 | 90 | 90 | | | | | | | | | | |
| [°C] | -35 | 45 | 32 | 45 | 69,0 | 236 | 59,4 | 1,35 | 4,61 | 1,16 | 51,2 | 0,28 | 0,82 | opt |
| [°F] | -31 | 113 | 90 | 113 | | | | | | | | | | |

Performance tables

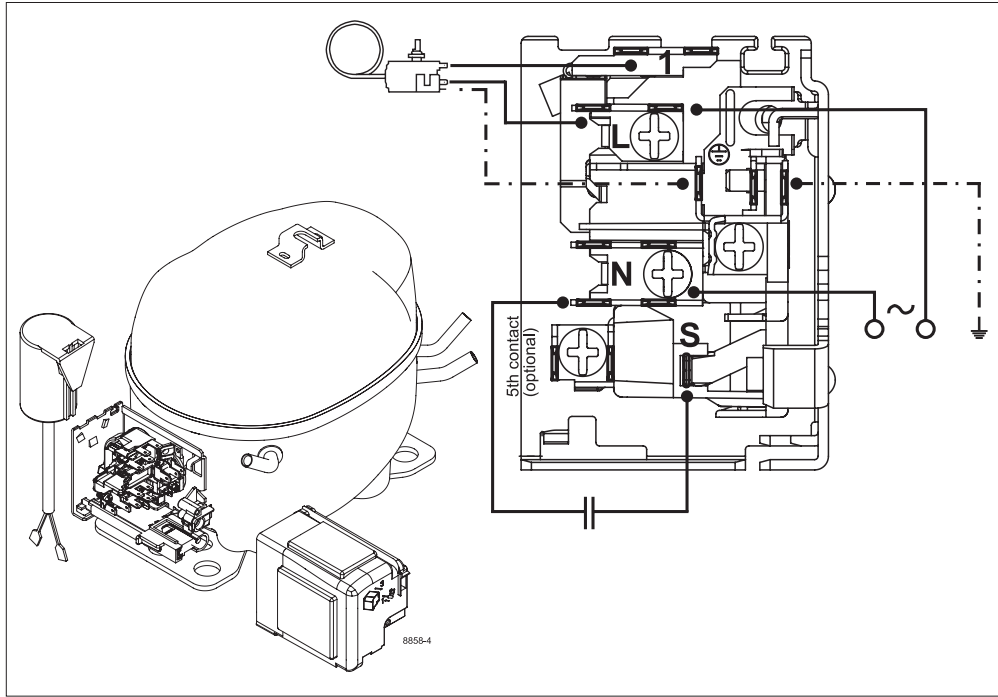
R600a, 220V/50Hz, RSCR, static, VDE

| | pe | | Cooling capacity | | | COP | EER | P1 | I | m | |
|------------------|------|------|------------------|---------|----------|------|------|------|-------|------|-------|
| | [°C] | [°F] | [W] | [Btu/h] | [kcal/h] | | | | | | [W/W] |
| [°C / °F] | -35 | -31 | 69,0 | 236 | 59,4 | 1,35 | 4,61 | 1,16 | 51,2 | 0,28 | 0,82 |
| cond. pressure | -30 | -22 | 92,7 | 317 | 79,8 | 1,57 | 5,37 | 1,35 | 59,0 | 0,30 | 1,10 |
| pc= 45/113 | -25 | -13 | 121,4 | 415 | 104,5 | 1,79 | 6,13 | 1,54 | 67,7 | 0,33 | 1,45 |
| return gas temp. | -23 | -10 | 132,3 | 452 | 113,9 | 1,87 | 6,38 | 1,61 | 70,8 | 0,34 | 1,58 |
| RGT= 32/90 | -20 | -4 | 155,2 | 530 | 133,6 | 2,01 | 6,88 | 1,73 | 77,1 | 0,36 | 1,85 |
| liquid temp | -15 | 5 | 194,0 | 663 | 167,0 | 2,23 | 7,63 | 1,92 | 86,9 | 0,39 | 2,32 |
| Tliq= 45/113 | -5 | 23 | 286,6 | 979 | 246,7 | 2,69 | 9,18 | 2,31 | 106,7 | 0,48 | 3,44 |
| [°C / °F] | -35 | -31 | 57,8 | 197 | 49,8 | 1,12 | 3,83 | 0,97 | 51,5 | 0,28 | 0,75 |
| cond. pressure | -30 | -22 | 78,9 | 269 | 67,9 | 1,31 | 4,46 | 1,12 | 60,4 | 0,31 | 1,03 |
| pc= 55/131 | -25 | -13 | 105,0 | 359 | 90,4 | 1,49 | 5,09 | 1,28 | 70,4 | 0,34 | 1,37 |
| return gas temp | -23 | -10 | 115,0 | 393 | 99,0 | 1,55 | 5,31 | 1,34 | 74,0 | 0,35 | 1,50 |
| RGT= 32/90 | -20 | -4 | 136,1 | 465 | 117,2 | 1,67 | 5,72 | 1,44 | 81,3 | 0,38 | 1,78 |
| liquid temp | -15 | 5 | 172,3 | 588 | 148,2 | 1,86 | 6,34 | 1,60 | 92,8 | 0,42 | 2,26 |
| Tliq= 55/131 | -5 | 23 | 259,4 | 886 | 223,2 | 2,23 | 7,60 | 1,92 | 116,6 | 0,52 | 3,41 |



K-Series Compressors

GTK, HKK, HMK, HTK, HXK, HZK

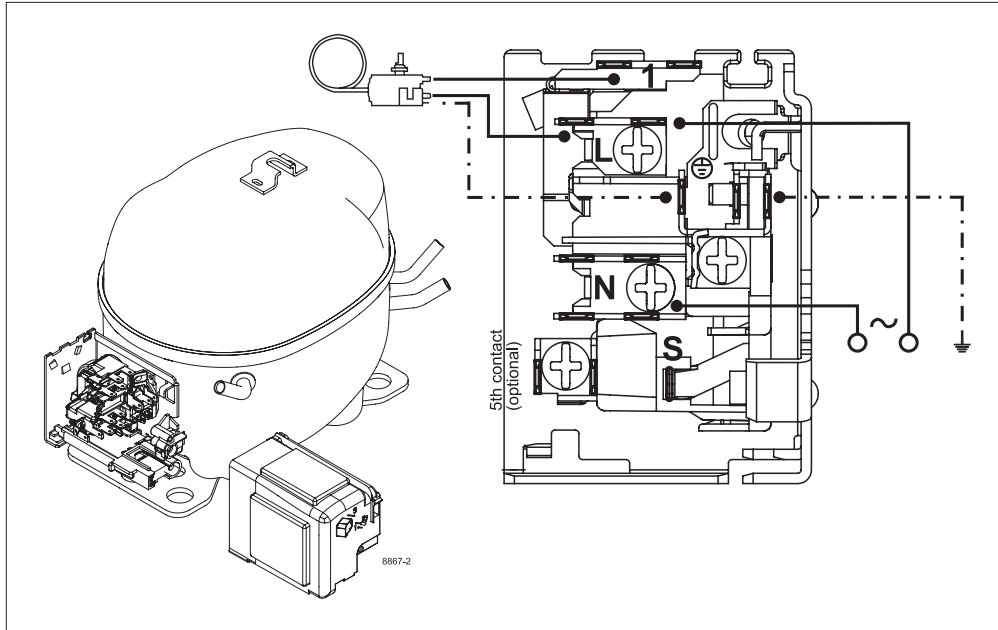


Service/Repair – R600a



K-Series Compressors

GTK, HKK, HMK, HTK, HXK, HZK



Service/Repair – R600a

Secop accepts no responsibility for possible errors in catalogs, brochures, and other printed material. Secop reserves the right to alter its products without notice. This also applies to products already on order provided that such alterations can be made without subsequential changes being necessary to specifications already agreed. All trademarks in this material are the property of the respective companies. Secop and the Secop logotype are trademarks of Secop GmbH. All rights reserved. www.secop.com