

Single Pack SCE18MNX 208-230V 60Hz CSIR

Single pack code number: **195B4668**

Position	Title	Code	Amount
1	Compressor SCE18MNX	104H8889	1
2	Starting capacitor (60µF 260V, 6.3mm)	117U5076	1
3	Bolt joint for one compressor M6 ø16mm	118-1917	1

Secop GmbH • Lise-Meitner-Straße 29 • 24941 Flensburg, Germany • Tel: +49 461 4941 0 • www.secop.com

Secop accepts no responsibility for possible errors in catalogs, brochures, and other printed material. Secop reserves the right to alter its products without notice. This also applies to products already on order provided that such alterations can be made without subsequent changes being necessary to specifications already agreed. All trademarks in this material are the property of the respective companies. Secop and the Secop logotype are trademarks of Secop GmbH. All rights reserved.

Model

Designation	SCE18MNX	208-230V/60Hz 1~	Sales code:	104H8889
-------------	-----------------	------------------	-------------	-----------------

Compressor design

Oil type	Polyolester	Refrigerant(s)	R290
Oil viscosity	32cSt	Displacement	17,69cm ³ / 1,08cu.in
Oil quantity	550cm ³ / 18,6fl.oz	Compressors on pallet	80
Refr. charge - tech. limit	450g / 15,9oz		
Free gas volume comp.	1460cm ³ / 49,4fl.oz		
Weight	14,2kg / 31,3lbs		
Motor protection	external		
Winding resistance main	2,6Ω (at 25°C)		
Winding resistance aux	21,2Ω (at 25°C)		
Max. winding temp.	125°C / 257°F		
Max. discharge temp.	135°C / 275°F		



General - Configurations with SCE18MNX

	Conf. 1
Motorconfiguration	CSIR
Power supply (nominal)	208-230V/60Hz
Number of phases	1
Voltage range	187-253V
Approvals	UL, KC, CB
Starting torque	HST
Note	Protector, relay and cover are included and pre-assembled to compressor.

Applications with SCE18MNX

	Conf. 1
Refrigerant	R290
Application	MBP
System cooling	fan 3m/s
Hot gas defrost	OK
Long interval pull down	OK

Electrical data - Configurations with SCE18MNX

	Conf. 1
Starting device type	relay
Run capacitor	-/-
Start capacitor	60μF
LRA (locked rotor amps / 4s/ U(N))	27,7A
RLA (rated load amps / 1s/ U(N))	5,2A
Cut in current (U(N))	27,7A

Model

Designation

SCE18MNX

208-230V/60Hz 1~

Sales code:

104H8889

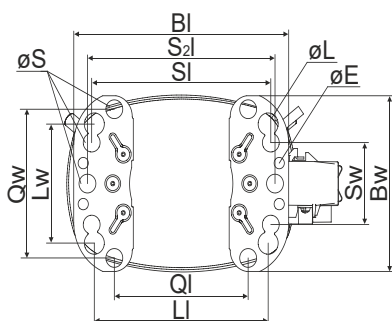
Compressor dimensions

Housing	A Height	219mm / 8,62in
	B Height	213mm / 8,39in
	C Length shell	218mm / 8,58in
	D Length w. cover	255mm / 10,04in
	E Width	151mm / 5,94in

Connectors		Suction	Discharge	Process
		X	Y	Z
Diameter	[mm]	øi 9,54-9,72	øi 6,41-6,59	øi 6,41-6,59
(i:inside, o:outside)	[in]	øi 0,38-0,38	øi 0,25-0,26	øi 0,25-0,26
Material		copper	copper	copper
Horizontal angle	±2°	37°	37°	143°
Vertical angle	±2°	30°	0°	150°
Position l/h/w	[mm]	107/193/55	115/110/63	-107/193/55
	[in]	4,2/7,6/2,2	4,5/4,3/2,5	-4,2/7,6/2,2
Straight tube l.	[mm]	12	12	12
	[in]	0,5	0,5	0,5

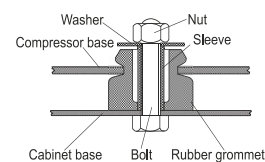


Compressor fixation

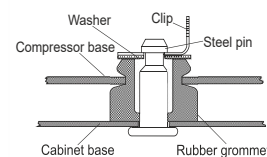


Baseplate	[mm]	[inch]
BI	204	8.03
Bw	150	5.9
øE	ø 9.7	ø 0.38
Large holes		
	[mm]	[inch]
LI	165	6.5
Lw	101.6	4
øL	ø 19	ø 0.75
Small holes		
	[mm]	[inch]
SI	170	6.7
Sw	70	2.76
øS	ø 16	ø 0.63
QI	127	5
Qw	127	5

Bolt joint



Snap-on



Mounting accessories

	one comp.	multi pack
Bolt joint M6 ø16mm	118-1917	118-1918
Bolt joint ø1/4" ø16mm	118-1946	
Bolt joint ø1/4" ø19mm	118-1949	
Snap-on ø7,3 ø16mm	118-1947	118-1919

Application notes

Provision for PE Grounding is located at the PE Stamp on the compressor

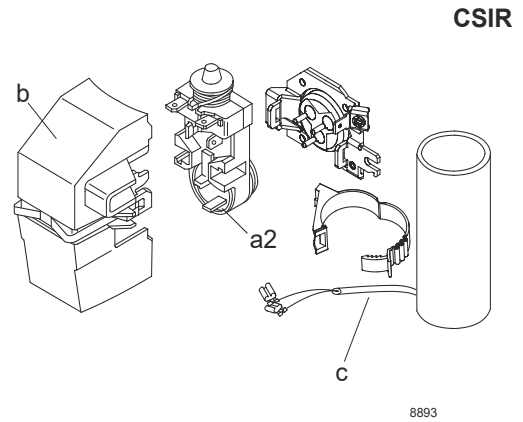
Model

Designation	SCE18MNX	208-230V/60Hz	Conf. 1	Sales code:	104H8889
-------------	-----------------	----------------------	----------------	-------------	-----------------

Configuration

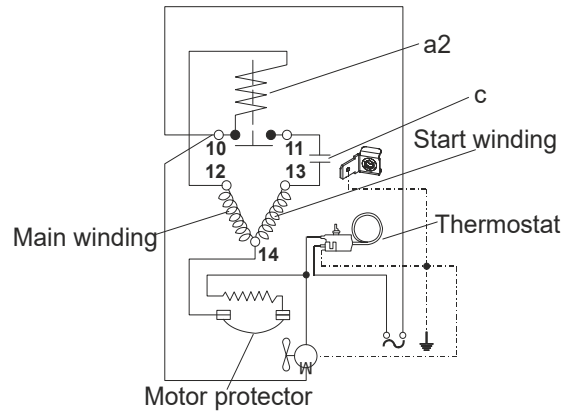
Motor configuration	CSIR
Power supply (nominal)	208-230V/60Hz 1~
Refrigerant	R290
Application	MBP
Voltage range	187-253V
Starting torque	HST
Approvals	UL
	KC
	CB

Electrical accessories / wiring diagram

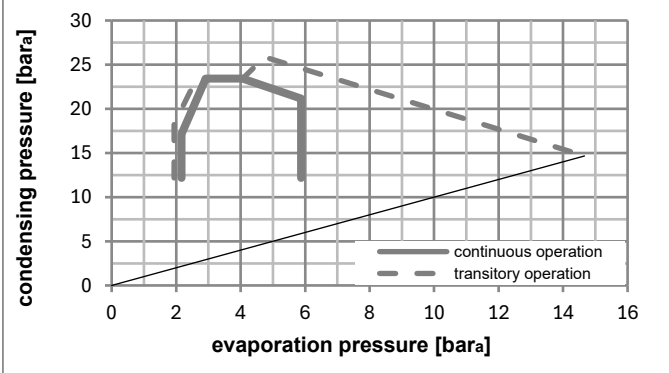
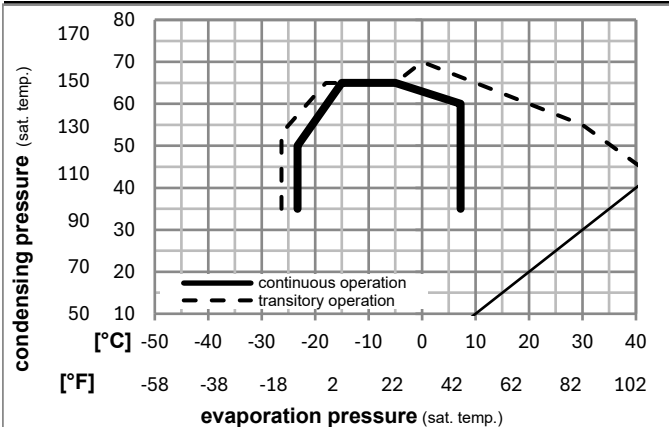


Ambient/ machine room temperatures minimum /maximum

Ambient temperature range:	10 - 43°C / 50 - 110°F
Machine room temperature range:	10 - 48°C / 50 - 119°F
Compressor cooling:	fan 3m/s



Operation pressure range



Components (relay (a2)+ cover (b): pre-assembled)

a2	assy. relay + ext. protector (T0715)	117U7412
c	start capacitor (60μF, 6.3mm, 82kOhm)	117U5076
b	plastic cover + clamp	117U1021

Noise emission

Operation pressures:	pe: -25°C / -13°F
	pc: 45°C / 113°F
Motor speed appr.:	3500rpm
Lw(A):	60dB(A)

Model

Designation **SCE18MNX** **208-230V/60Hz** Conf. 1 Sales code: **104H8889**

Optimization + standard conditions

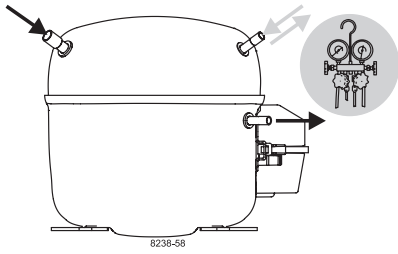
R290, 230V/60Hz, CSIR, fan 3m/s, UL, KC, CB

Evaporating pressure (saturation temperature)					Condensing pressure (saturation temperature)						Power consumption			
					Return gas temp.			Liquid temp.			Current consumption			Ref. mass flow
					Cooling capacity			COP	EER	P1			I	m
					[W]	[Btu/h]	[kcal/h]	[W/W]	[Btu/Wh]	[kcal/Wh]	[W]	[A]	[kg/h]	
[°C]	pe	pc	RGT	Tliq										ASHRAE MBP
-7	54	35	46	1796,4	6135	1546,0	1,96	6,71	1,69	914,3	5,07	20,49		
[°F]	20	130	95	115										
-10	55	32	55	1420,1	4850	1222,2	1,64	5,58	1,41	868,5	4,92	17,96		cecomaf MBP
[°F]	14	131	90	131										
-10	45	20	45	1588,8	5426	1367,3	2,02	6,90	1,74	786,0	4,52	19,51		EN12900 MBP
[°F]	14	113	68	113										
-7	49	18	49	1690,8	5775	1455,2	1,96	6,69	1,68	863,8	4,82	21,95		ARI540 MBP
[°F]	20	120	65	120										
-10	45	32	45	1654,0	5649	1423,4	2,10	7,19	1,81	786,0	4,52	18,92		opt
[°F]	14	113	90	113										
-25	45	32	45	849,0	2900	730,7	1,46	4,99	1,26	581,0	3,89	9,58		opt
[°F]	-13	113	90	113										

Performance tables

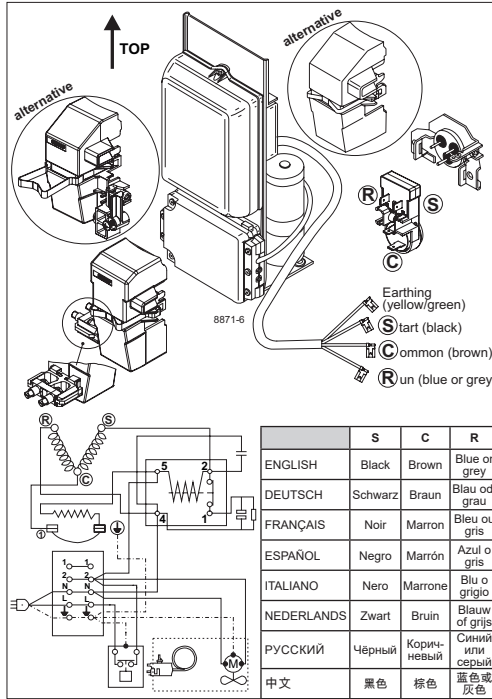
R290, 230V/60Hz, CSIR, fan 3m/s, UL, KC, CB

	pe		Cooling capacity			COP	EER	P1			I	m
	[°C]	[°F]	[W]	[Btu/h]	[kcal/h]	[W/W]	[Btu/Wh]	[kcal/Wh]	[W]	[A]	[kg/h]	
[°C / °F]	-25	-13	849,0	2900	730,7	1,46	4,99	1,26	581,0	3,89	9,58	
cond. pressure	-23	-10	928,2	3170	798,8	1,53	5,24	1,32	605,3	3,96	10,48	
pc= 45/113	-15	5	1359,9	4644	1170,3	1,88	6,42	1,62	723,2	4,31	15,47	
return gas temp.	-9	15	1688,6	5767	1453,2	2,13	7,28	1,83	792,3	4,54	19,33	
RGT= 32/90	-4	25	2057,6	7027	1770,8	2,43	8,29	2,09	847,7	4,73	23,73	
liquid temp	0	32	2343,4	8003	2016,7	2,68	9,14	2,30	875,4	4,83	27,18	
Tliq= 45/113	7,2	45	2942,6	10050	2532,4	3,28	11,22	2,83	896,0	4,92	34,57	
[°C / °F]	-25	-13	681,9	2329	586,8	1,10	3,77	0,95	617,5	4,10	8,49	
cond. pressure	-23	-10	754,0	2575	648,9	1,17	3,99	1,00	645,7	4,19	9,40	
pc= 55/131	-15	5	1149,3	3925	989,1	1,46	4,98	1,26	787,7	4,65	14,45	
return gas temp	-9	15	1452,1	4959	1249,7	1,66	5,65	1,42	877,0	4,95	18,38	
RGT= 32/90	-4	25	1794,0	6127	1543,9	1,88	6,41	1,62	955,8	5,23	22,89	
liquid temp	0	32	2060,1	7036	1772,9	2,06	7,02	1,77	1001,9	5,39	26,46	
Tliq= 55/131	7,2	45	2621,1	8952	2255,8	2,47	8,44	2,13	1060,8	5,60	34,15	



SCE Compressors

(External Protector)



	S	C	R
ENGLISH	Black	Brown	Blue or grey
DEUTSCH	Schwarz	Braun	Blau od. grau
FRANÇAIS	Noir	Marron	Bleu ou gris
ESPAÑOL	Negro	Marrón	Azul o gris
ITALIANO	Nero	Marrone	Blu o grigio
NEDERLANDS	Zwart	Bruin	Blauw of grijs
РУССКИЙ	Чёрный	Коричневый	Синий или серый
中文	黑色	棕色	蓝色或灰色

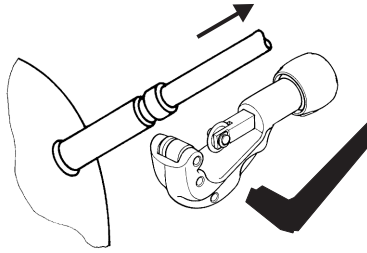
	S	C	R
ENGLISH	Black	Brown	Blue or grey
DEUTSCH	Schwarz	Braun	Blau od. grau
FRANÇAIS	Noir	Marron	Bleu ou gris
ESPAÑOL	Negro	Marrón	Azul o gris
ITALIANO	Nero	Marrone	Blu o grigio
NEDERLANDS	Zwart	Bruin	Blauw of grijs
РУССКИЙ	Чёрный	Коричневый	Синий или серый
中文	黑色	棕色	蓝色或灰色



SCE Compressors (External Protector)



Service/Repair – R290



8545

Brazing on Suction Connectors (Direct Intake)



! max. 350°C/662°F !
at socket
brazing solder: phosphor (LP7) or silver

8882

Refer to Product Bulletin:
Brazing on Suction Connectors
(SCE Compressors with Direct Suction Intake)

Secop accepts no responsibility for possible errors in catalogs, brochures, and other printed material. Secop reserves the right to alter its products without notice. This also applies to products already on order provided that such alterations can be made without subsequential changes being necessary to specifications already agreed. All trademarks in this material are the property of the respective companies. Secop and the Secop logotype are trademarks of Secop GmbH. All rights reserved. www.secop.com