

Single Pack KLF4.8CNT 200-240V 50Hz / 208-230V 60Hz CSIR

Single pack code number: **195B4687**

Position	Title	Code	Amount
1	Compressor KLF4.8CNT	106H2502	1
2	KL accessories	103N1060	1
3	Starting capacitor (80 μ F 260V, 6.3mm)	117U5003	1
4	Starting relay (QLZ-4.4A, overload protector T0089/L6)	117U7070	1
5	Bolt joint for one compressor M6 \varnothing 16mm	118-1917	1

Secop GmbH • Lise-Meitner-Straße 29 • 24941 Flensburg, Germany • Tel: +49 461 4941 0 • www.secop.com

Secop accepts no responsibility for possible errors in catalogs, brochures, and other printed material. Secop reserves the right to alter its products without notice. This also applies to products already on order provided that such alterations can be made without subsequent changes being necessary to specifications already agreed. All trademarks in this material are the property of the respective companies. Secop and the Secop logotype are trademarks of Secop GmbH. All rights reserved.

Model

Designation	KLF4.8CNT	200-240V/50Hz 1~	208-230V/60Hz 1~	Sales code:	106H2502
-------------	------------------	------------------	------------------	-------------	-----------------

Compressor design

Oil type	Polyolester	Refrigerant(s)	R290
Oil viscosity	19,2cSt	Displacement	4,8cm ³ / 0,29cu.in
Oil quantity	162cm ³ / 5,5fl.oz	Compressors on pallet	100
Refr. charge - tech. limit	200g / 7,1oz		
Free gas volume comp.	1615cm ³ / 54,6fl.oz		
Weight	9,2kg / 20,3lbs		
Motor protection	external		
Winding resistance main	10,7Ω (at 25°C)		
Winding resistance aux	17Ω (at 25°C)		
Max. winding temp.	125°C / 257°F		
Max. discharge temp.	130°C / 266°F		



General - Configurations with KLF4.8CNT

	Conf. 1	Conf. 2	Conf. 3	Conf. 4
Motorconfiguration	CSIR	RSCR	CSIR	RSCR
Power supply (nominal)	200-240V/50Hz	200-240V/50Hz	208-230V/60Hz	208-230V/60Hz
Number of phases	1	1	1	1
Voltage range	187-254V	187-254V	198-253V	198-253V
Approvals	UL, CCC, CB	UL, CCC, CB	UL, CCC, CB, KC	UL, CCC, CB, KC
Starting torque	HST	LST	HST	LST
Note	- / -			

Applications with KLF4.8CNT

	Conf. 1	Conf. 2	Conf. 3	Conf. 4
Refrigerant	R290	R290	R290	R290
Application	LBP+MBP	LBP+MBP	LBP+MBP	LBP+MBP
System cooling	fan 3m/s	fan 3m/s	fan 3m/s	fan 3m/s
Hot gas defrost	OK	OK	OK	OK
Long interval pull down	OK	OK	- / -	- / -

Electrical data - Configurations with KLF4.8CNT

	Conf. 1	Conf. 2	Conf. 3	Conf. 4
Starting device type	relay	PTC	relay	PTC
Run capacitor	- / -	5μF	- / -	5μF
Start capacitor	80μF	- / -	80μF	- / -
LRA (locked rotor amps / 4s/ U(N))	11,3A	11,3A	11,3A	11,3A
RLA (rated load amps / 1s/ U(N))	1,7A	1,7A	1,7A	1,7A
Cut in current (U(N))	10,7A	14,7A	10,7A	14,7A

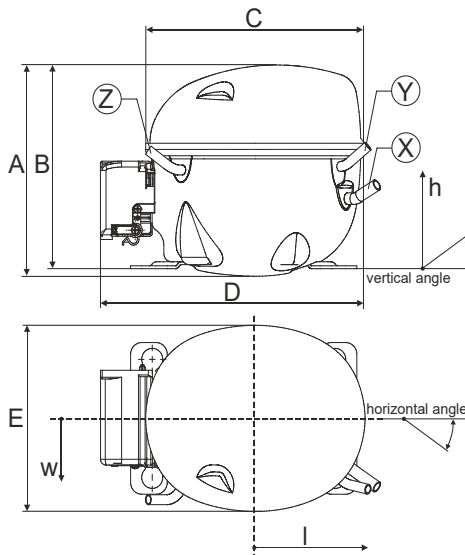
Model

Designation	KLF4.8CNT	200-240V/50Hz 1~ 208-230V/60Hz 1~	Sales code:	106H2502
-------------	------------------	-----------------------------------	-------------	-----------------

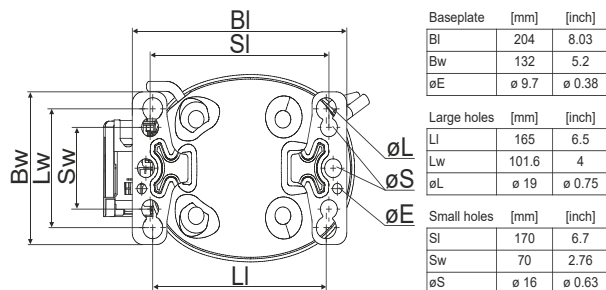
Compressor dimensions

Housing	A Height	182mm / 7,17in
	B Height	175mm / 6,89in
	C Length shell	198mm / 7,8in
	D Length w. cover	238mm / 9,37in
	E Width	160mm / 6,3in

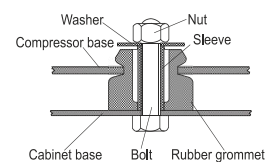
Connectors		Suction	Discharge	Process
		X	Y	Z
Diameter	[mm]	øi 8,11-8,29	øi 6,11-6,29	øi 6,11-6,29
(i:inside, o:outside)	[in]	øi 0,32-0,33	øi 0,24-0,25	øi 0,24-0,25
Material		copper	copper	copper
Horizontal angle	±2°	35°	13°	0°
Vertical angle	±2°	30°	40°	145°
Position l/h/w	[mm]	119/73/59	117/107/66	-88/101/71
	[in]	4,7/2,9/2,3	4,6/4,2/2,6	-3,5/4/2,8
Straight tube l.	[mm]	14	14	14
	[in]	0,5	0,5	0,5



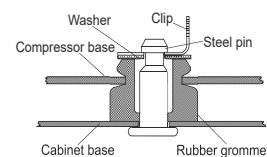
Compressor fixation



Bolt joint



Snap-on



Mounting accessories

Mounting accessories	one comp.	multi pack
Bolt joint M6 ø16mm	118-1917	118-1918
Bolt joint ø1/4" ø16mm	118-1946	
Bolt joint ø1/4" ø19mm	118-1949	
Snap-on ø7,3 ø16mm	118-1947	118-1919

Application notes

Provision for PE Grounding is located at the PE Stamp on the compressor

Model

Designation	KLF4.8CNT	200-240V/50Hz	Conf. 1	Sales code:	106H2502
-------------	------------------	----------------------	----------------	-------------	-----------------

Configuration

Motorconfiguration	CSIR
Power supply (nominal)	200-240V/50Hz 1~
Refrigerant	R290
Application	LBP+MBP
Voltage range	187-254V
Starting torque	HST
Approvals	UL
	CCC
	CB

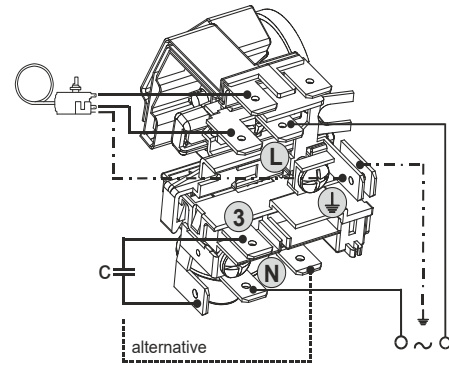
Electrical accessories / wiring diagram

CSIR

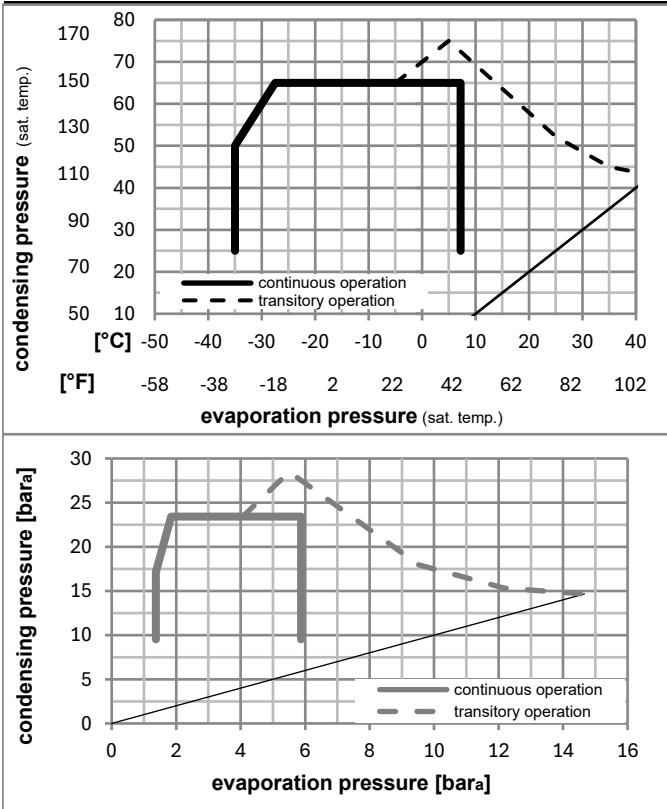


Ambient/ machine room temperatures minimum /maximum

Ambient temperature range:	10 - 43°C / 50 - 110°F
Machine room temperature range:	10 - 48°C / 50 - 119°F
Compressor cooling:	fan 3m/s



Operation pressure range



Components

a5	current relay (T0089/L6-S2)	117U7070
c	start capacitor (80μF, 6.3mm)	117U5003
b, d	cover + clamp + screws(5VA) in bag	103N1060

Alternative components

b, d	100x cover + clamp + screws(5VA)	103N2060
b, d	cover + clamp + screws(5VA-compl.)	103N0600

Model

Designation **KLF4.8CNT** **200-240V/50Hz** Conf. 1 Sales code: **106H2502**

Optimization + standard conditions

R290, 220V/50Hz, CSIR, fan 3m/s, UL, CCC, CB

	Evaporating pressure (saturation temperature)				Condensing pressure (saturation temperature)			Return gas temp.	Liquid temp.	Cooling capacity	COP	EER	Power consumption			Ref. mass flow
	pe	pc	RGT	Tliq	[W]	[Btu/h]	[kcal/h]						P1	I	m	
	[°C]	[°F]	[°C]	[°F]	[W]	[Btu/h]	[kcal/h]	[W/W]	[Btu/Wh]	[kcal/Wh]	[W]	[A]	[kg/h]			
ASHRAE LBP	-23	54	32	32	228,7	781	196,8	1,48	5,05	1,27	154,6	1,38	2,32			
	-10	130	90	90												
cecomaf LBP	-25	55	32	55	170,2	581	146,5	1,13	3,87	0,97	150,3	1,37	2,12			
	-13	131	90	131												
EN12900 LBP	-35	40	20	40	131,9	450	113,5	1,08	3,69	0,93	122,1	1,33	1,51			
	-31	104	68	104												
ASHRAE MBP	-7	54	35	46	420,2	1435	361,7	2,07	7,07	1,78	202,9	1,49	4,79			
	20	130	95	115												
cecomaf MBP	-10	55	32	55	332,3	1135	286,0	1,71	5,83	1,47	194,6	1,47	4,20			
	14	131	90	131												
EN12900 MBP	-10	45	20	45	384,6	1314	331,0	2,14	7,29	1,84	180,1	1,43	4,72			
	14	113	68	113												

Performance tables

R290, 220V/50Hz, CSIR, fan 3m/s, UL, CCC, CB

	pe		Cooling capacity			COP	EER	P1	I	m	
	[°C]	[°F]	[W]	[Btu/h]	[kcal/h]	[W/W]	[Btu/Wh]	[kcal/Wh]	[W]	[A]	[kg/h]
[°C / °F]	-35	-31	121,2	414	104,3	0,99	3,37	0,85	122,7	1,33	1,36
cond. pressure	-25	-13	211,4	722	181,9	1,45	4,95	1,25	145,9	1,36	2,38
pc= 45/113	-15	5	328,2	1121	282,5	1,94	6,63	1,67	169,0	1,41	3,73
return gas temp.	-10	14	400,4	1367	344,6	2,22	7,59	1,91	180,1	1,43	4,58
RGT= 32/90	-5	23	483,7	1652	416,3	2,54	8,67	2,19	190,5	1,45	5,57
liquid temp	0	32	579,7	1980	498,9	2,90	9,89	2,49	200,2	1,48	6,72
Tliq= 45/113	7,2	45	743,2	2538	639,6	3,50	11,96	3,01	212,3	1,51	8,73
[°C / °F]	-35	-31	90,2	308	77,6	0,74	2,53	0,64	121,6	1,32	1,12
cond. pressure	-25	-13	170,2	581	146,5	1,13	3,87	0,97	150,3	1,37	2,12
pc= 55/131	-15	5	270,6	924	232,9	1,50	5,14	1,29	179,9	1,43	3,40
return gas temp	-10	14	332,3	1135	286,0	1,71	5,83	1,47	194,6	1,47	4,20
RGT= 32/90	-5	23	403,5	1378	347,3	1,93	6,59	1,66	209,0	1,50	5,14
liquid temp	0	32	485,8	1659	418,1	2,18	7,45	1,88	222,8	1,54	6,24
Tliq= 55/131	7,2	45	626,9	2141	539,5	2,60	8,87	2,24	241,3	1,60	8,17

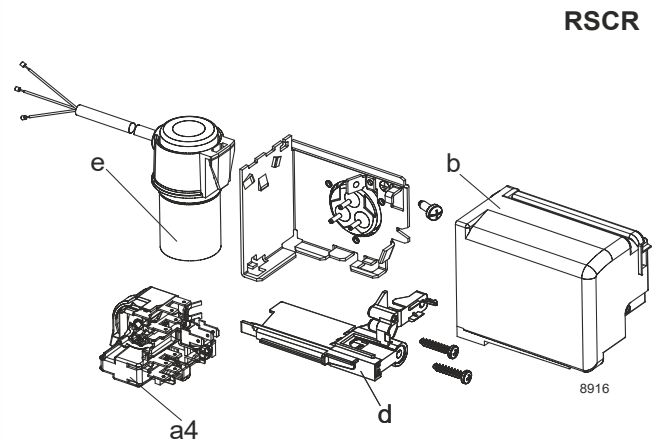
Model

Designation	KLF4.8CNT	200-240V/50Hz	Conf. 2	Sales code:	106H2502
-------------	------------------	----------------------	----------------	-------------	-----------------

Configuration

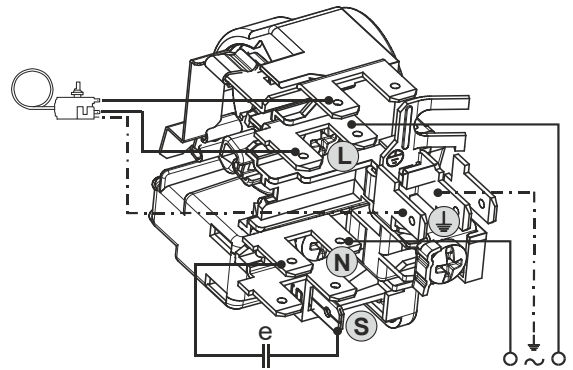
Motorconfiguration	RSCR
Power supply (nominal)	200-240V/50Hz 1~
Refrigerant	R290
Application	LBP+MBP
Voltage range	187-254V
Starting torque	LST
Approvals	UL CCC CB

Electrical accessories / wiring diagram

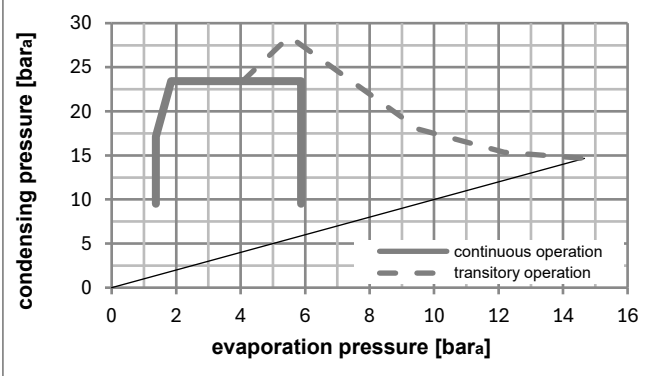
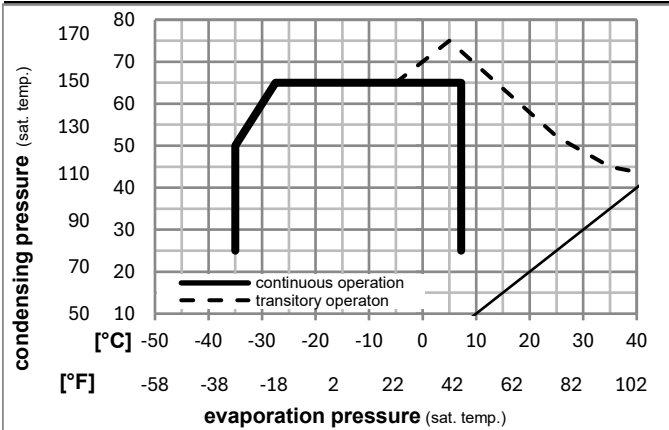


Ambient/ machine room temperatures minimum /maximum

Ambient temperature range:	10 - 43°C / 50 - 110°F
Machine room temperature range:	10 - 48°C / 50 - 119°F
Compressor cooling:	fan 3m/s



Operation pressure range



Components

a4	DAS2 (PTC,6.3mm, T0089/L6 - S2)	103N0251
e	run capacitor (5μF, 6,3mm)	117-7155
b, d	cover + clamp + screws(5VA) in bag	103N1060

Alternative components

b, d	100x cover + clamp + screws(5VA)	103N2060
b, d	cover + clamp + screws(5VA-compl.)	103N0600

Model

Designation **KLF4.8CNT** **200-240V/50Hz** Conf. 2 Sales code: **106H2502**

Optimization + standard conditions

R290, 220V/50Hz, RSCR, fan 3m/s, UL, CCC, CB

	Evaporating pressure (saturation temperature)				Condensing pressure (saturation temperature)			COP	EER			Power consumption			ASHRAE LBP
	pe	pc	RGT	Tliq	[W]	[Btu/h]	[kcal/h]		[W/W]	[Btu/Wh]	[kcal/Wh]	P1	I	m	
	[°C]	[°F]	[°C]	[°F]	[W]	[Btu/h]	[kcal/h]	[W/W]	[Btu/Wh]	[kcal/Wh]	[W]	[A]	[kg/h]		
	-23	54	32	32	232,8	795	200,4	1,54	5,26	1,32	151,2	1,11	2,36	ASHRAE LBP	
	-10	130	90	90											
	-25	55	32	55	173,6	593	149,4	1,18	4,03	1,01	147,3	1,09	2,16	cecomaf LBP	
	-13	131	90	131											
	-35	40	20	40	131,0	447	112,7	1,10	3,77	0,95	118,6	1,02	1,50	EN12900 LBP	
	-31	104	68	104											
	-7	54	35	46	420,7	1437	362,1	2,17	7,42	1,87	193,7	1,22	4,80	ASHRAE MBP	
	20	130	95	115											
	-10	55	32	55	334,0	1141	287,4	1,79	6,11	1,54	186,8	1,20	4,22	cecomaf MBP	
	14	131	90	131											
	-10	45	20	45	381,6	1303	328,4	2,23	7,61	1,92	171,3	1,16	4,69	EN12900 MBP	
	14	113	68	113											

Performance tables

R290, 220V/50Hz, RSCR, fan 3m/s, UL, CCC, CB

	pe		Cooling capacity			COP	EER		P1	I	m
	[°C]	[°F]	[W]	[Btu/h]	[kcal/h]	[W/W]	[Btu/Wh]	[kcal/Wh]	[W]	[A]	[kg/h]
[°C / °F]	-35	-31	121,0	413	104,1	1,01	3,46	0,87	119,5	1,02	1,36
cond. pressure	-25	-13	210,7	719	181,3	1,49	5,10	1,28	141,2	1,08	2,38
pc= 45/113	-15	5	326,0	1113	280,6	2,02	6,89	1,74	161,7	1,14	3,71
return gas temp.	-10	14	397,2	1357	341,9	2,32	7,92	2,00	171,3	1,16	4,54
RGT= 32/90	-5	23	479,6	1638	412,7	2,66	9,08	2,29	180,3	1,18	5,52
liquid temp	0	32	574,5	1962	494,4	3,05	10,40	2,62	188,6	1,20	6,66
Tliq= 45/113	7,2	45	736,6	2516	634,0	3,70	12,63	3,18	199,1	1,23	8,65
[°C / °F]	-35	-31	91,4	312	78,7	0,76	2,61	0,66	119,6	1,01	1,13
cond. pressure	-25	-13	173,6	593	149,4	1,18	4,03	1,01	147,3	1,09	2,16
pc= 55/131	-15	5	273,5	934	235,4	1,57	5,37	1,35	174,0	1,17	3,44
return gas temp	-10	14	334,0	1141	287,4	1,79	6,11	1,54	186,8	1,20	4,22
RGT= 32/90	-5	23	403,6	1378	347,3	2,03	6,93	1,75	199,0	1,23	5,14
liquid temp	0	32	483,8	1652	416,4	2,30	7,85	1,98	210,5	1,27	6,21
Tliq= 55/131	7,2	45	621,2	2122	534,6	2,75	9,40	2,37	225,8	1,32	8,09

Model

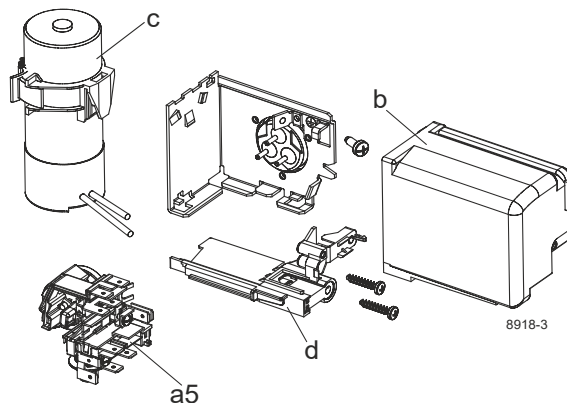
Designation	KLF4.8CNT	208-230V/60Hz	Conf. 3	Sales code:	106H2502
-------------	------------------	----------------------	----------------	-------------	-----------------

Configuration

Motorconfiguration	CSIR
Power supply (nominal)	208-230V/60Hz 1~
Refrigerant	R290
Application	LBP+MBP
Voltage range	198-253V
Starting torque	HST
Approvals	UL
	CCC
	CB
	KC

Electrical accessories / wiring diagram

CSIR

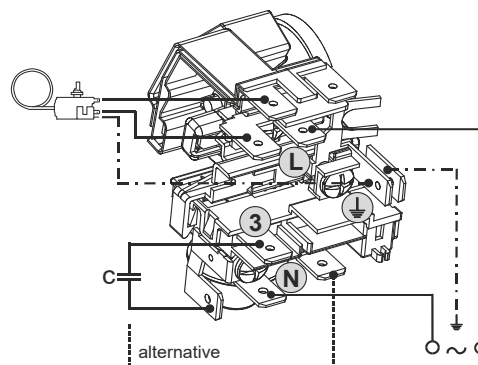


Ambient/ machine room temperatures minimum /maximum

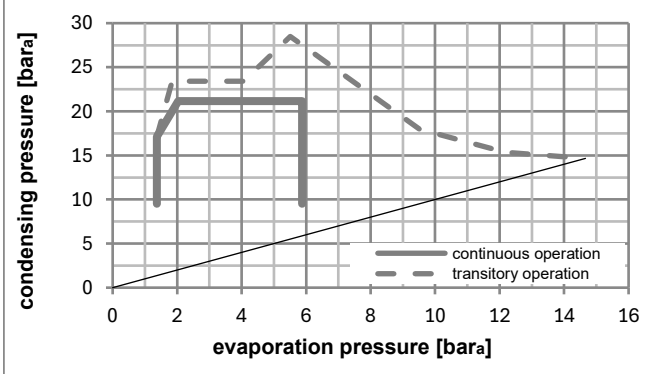
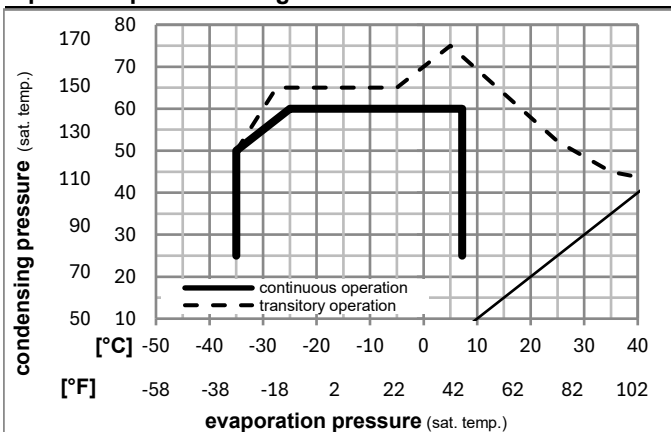
Ambient temperature range: 10 - 43°C / 50 - 110°F

Machine room temperature range: 10 - 48°C / 50 - 119°F

Compressor cooling: fan 3m/s



Operation pressure range



Components

a5	current relay (T0089/L6-S2)	117U7070
c	start capacitor (80μF, 6.3mm)	117U5003
b, d	cover + clamp + screws(5VA) in bag	103N1060

Alternative components

b, d	100x cover + clamp + screws(5VA)	103N2060
b, d	cover + clamp + screws(5VA-compl.)	103N0600

Model

Designation **KLF4.8CNT** **208-230V/60Hz** Conf. 3 Sales code: **106H2502**

Optimization + standard conditions

R290, 230V/60Hz, CSIR, fan 3m/s, UL, CCC, CB, KC

	Evaporating pressure (saturation temperature)				Cooling capacity	COP	EER	Power consumption			ASHRAE LBP			
	pe	pc	RGT	Tliq				P1	I	m				
	[°C]	[°F]	[°C]	[°F]	[W]	[Btu/h]	[kcal/h]	[W/W]	[Btu/Wh]	[kcal/Wh]	[W]	[A]	[kg/h]	
	-23	54	32	32	284,7	972	245,1	1,57	5,38	1,35	180,9	1,26	2,88	ASHRAE LBP
	-10	130	90	90										
	-25	55	32	55	213,0	727	183,3	1,23	4,19	1,05	173,8	1,24	2,65	cecomaf LBP
	-13	131	90	131										
	-35	40	20	40	160,5	548	138,2	1,19	4,07	1,03	134,7	1,14	1,83	EN12900 LBP
	-31	104	68	104										
	-7	54	35	46	520,0	1776	447,5	2,09	7,13	1,80	249,1	1,47	5,93	ASHRAE MBP
	20	130	95	115										
	-10	55	32	55	411,0	1404	353,7	1,73	5,92	1,49	237,1	1,43	5,20	cecomaf MBP
	14	131	90	131										
	-10	45	20	45	462,7	1580	398,2	2,09	7,12	1,79	221,9	1,38	5,68	EN12900 MBP
	14	113	68	113										

Performance tables

R290, 230V/60Hz, CSIR, fan 3m/s, UL, CCC, CB, KC

	pe		Cooling capacity			COP	EER	P1	I	m	
	[°C]	[°F]	[W]	[Btu/h]	[kcal/h]	[W/W]	[Btu/Wh]	[kcal/Wh]	[W]	[A]	[kg/h]
[°C / °F]	-35	-31	152,8	522	131,5	1,13	3,85	0,97	135,7	1,15	1,71
cond. pressure	-25	-13	253,2	865	217,9	1,48	5,05	1,27	171,1	1,23	2,86
pc= 45/113	-15	5	394,3	1347	339,3	1,91	6,53	1,65	206,1	1,33	4,49
return gas temp.	-10	14	481,7	1645	414,6	2,17	7,41	1,87	221,9	1,38	5,51
RGT= 32/90	-5	23	581,2	1985	500,2	2,46	8,42	2,12	235,9	1,42	6,69
liquid temp	0	32	693,5	2369	596,9	2,80	9,57	2,41	247,4	1,46	8,04
Tliq= 45/113	7,2	45	879,0	3002	756,5	3,40	11,61	2,92	258,6	1,50	10,33
[°C / °F]	-35	-31	130,2	445	112,0	0,98	3,36	0,85	132,4	1,14	1,61
cond. pressure	-25	-13	213,0	727	183,3	1,23	4,19	1,05	173,8	1,24	2,65
pc= 55/131	-15	5	334,3	1142	287,7	1,54	5,27	1,33	216,6	1,36	4,20
return gas temp	-10	14	411,0	1404	353,7	1,73	5,92	1,49	237,1	1,43	5,20
RGT= 32/90	-5	23	499,3	1705	429,7	1,95	6,66	1,68	256,2	1,49	6,36
liquid temp	0	32	599,8	2048	516,2	2,19	7,49	1,89	273,3	1,55	7,70
Tliq= 55/131	7,2	45	767,2	2620	660,2	2,61	8,93	2,25	293,4	1,62	9,99

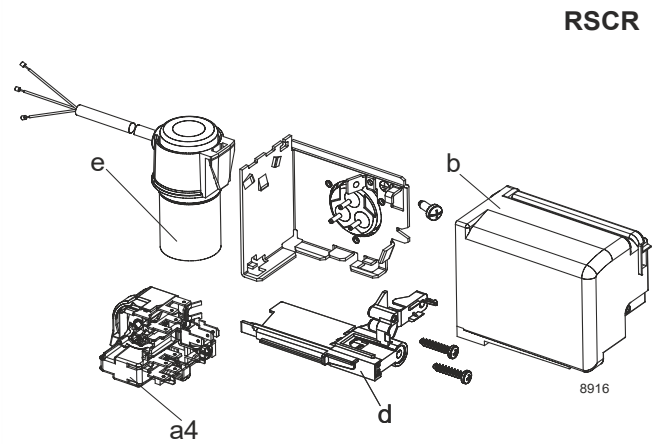
Model

Designation	KLF4.8CNT	208-230V/60Hz	Conf. 4	Sales code:	106H2502
-------------	------------------	----------------------	----------------	-------------	-----------------

Configuration

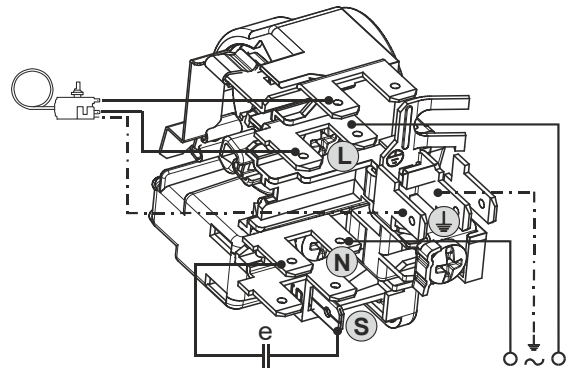
Motorconfiguration	RSCR
Power supply (nominal)	208-230V/60Hz 1~
Refrigerant	R290
Application	LBP+MBP
Voltage range	198-253V
Starting torque	LST
Approvals	UL
	CCC
	CB
	KC

Electrical accessories / wiring diagram

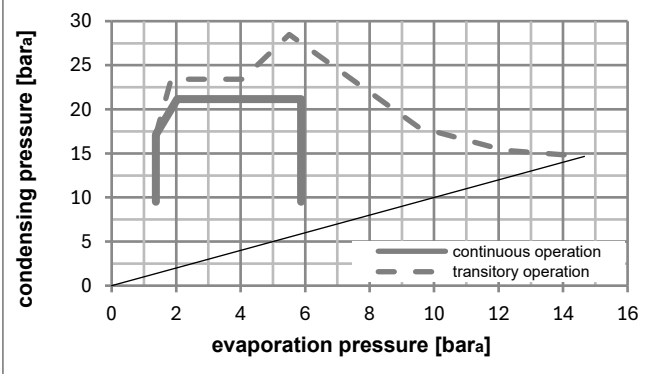
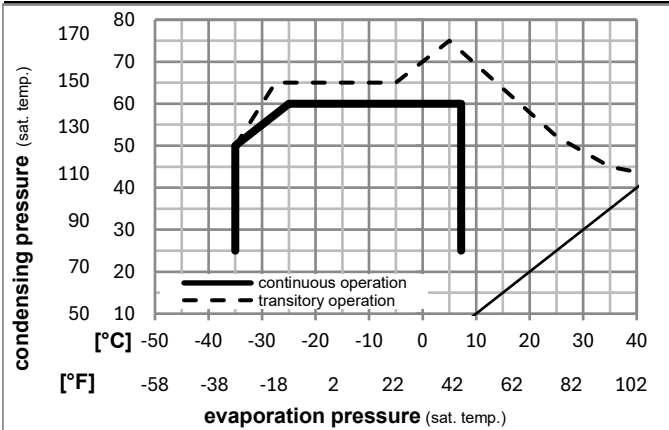


Ambient/ machine room temperatures minimum /maximum

Ambient temperature range:	10 - 43°C / 50 - 110°F
Machine room temperature range:	10 - 48°C / 50 - 119°F
Compressor cooling:	fan 3m/s



Operation pressure range



Components

a4	DAS2 (PTC,6.3mm, T0089/L6 - S2)	103N0251
e	run capacitor (5µF, 6,3mm)	117-7155
b, d	cover + clamp + screws(5VA) in bag	103N1060

Alternative components

b, d	100x cover + clamp + screws(5VA)	103N2060
b, d	cover + clamp + screws(5VA-compl.)	103N0600

Model

Designation **KLF4.8CNT** **208-230V/60Hz** Conf. 4 Sales code: **106H2502**

Optimization + standard conditions

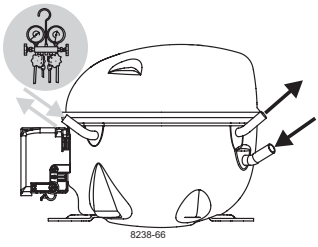
R290, 230V/60Hz, RSCR, fan 3m/s, UL, CCC, CB, KC

	Evaporating pressure (saturation temperature)				Condensing pressure (saturation temperature)			COP	EER			Power consumption			ASHRAE LBP
	pe	pc	RGT	Tliq	[W]	[Btu/h]	[kcal/h]		[W/W]	[Btu/Wh]	[kcal/Wh]	P1	I	m	
[°C]	-23	54	32	32	279,2	954	240,3	1,64	5,61	1,41	169,9	0,91	2,83		
[°F]	-10	130	90	90											
[°C]	-25	55	32	55	209,7	716	180,4	1,28	4,36	1,10	164,1	0,88	2,61	cecomaf LBP	
[°F]	-13	131	90	131											
[°C]	-35	40	20	40	167,5	572	144,1	1,24	4,23	1,07	135,3	0,78	1,91	EN12900 LBP	
[°F]	-31	104	68	104											
[°C]	-7	54	35	46	510,5	1743	439,3	2,21	7,54	1,90	231,1	1,16	5,82	ASHRAE MBP	
[°F]	20	130	95	115											
[°C]	-10	55	32	55	402,5	1375	346,4	1,83	6,25	1,57	220,0	1,12	5,09	cecomaf MBP	
[°F]	14	131	90	131											
[°C]	-10	45	20	45	464,3	1586	399,6	2,18	7,45	1,88	213,0	1,09	5,70	EN12900 MBP	
[°F]	14	113	68	113											

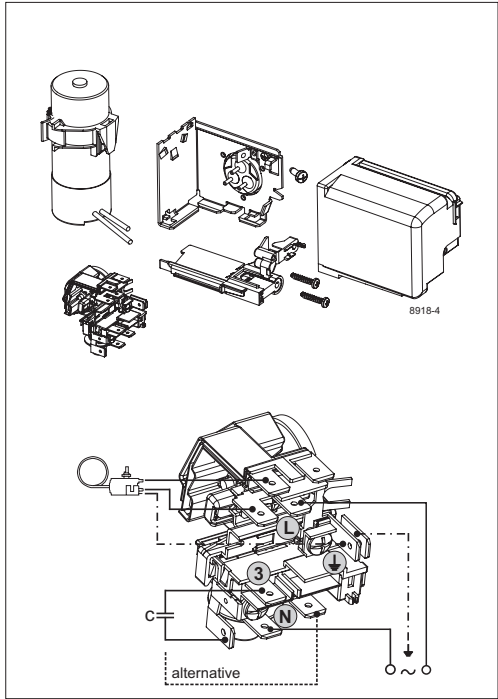
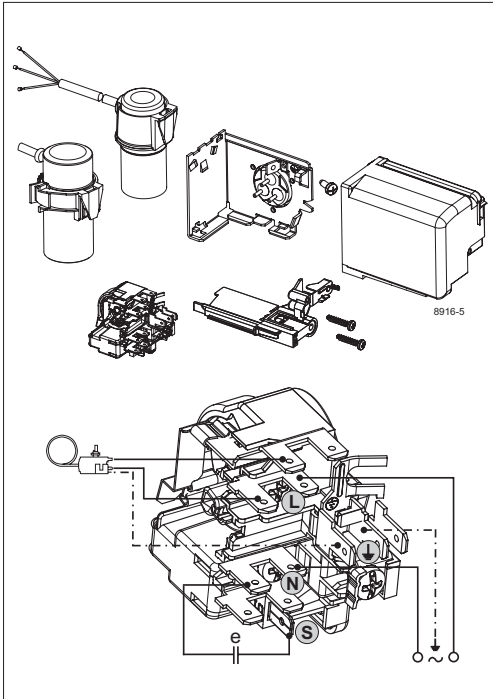
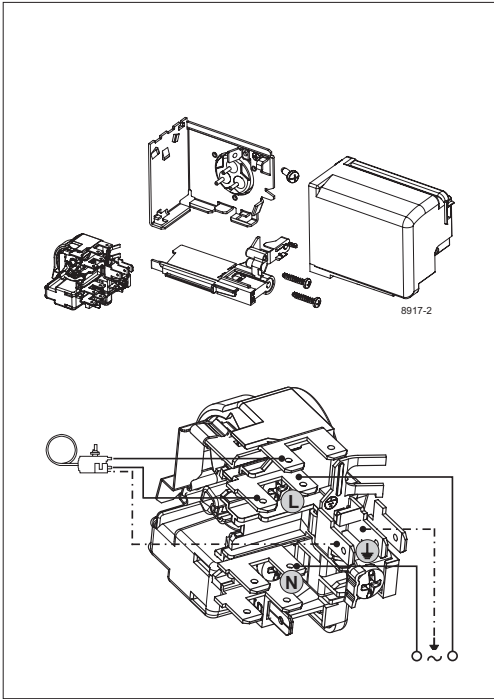
Performance tables

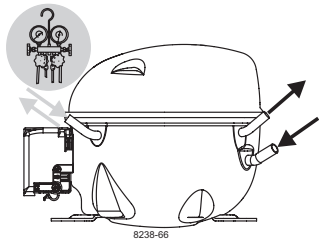
R290, 230V/60Hz, RSCR, fan 3m/s, UL, CCC, CB, KC

	pe		Cooling capacity			COP	EER		P1	I	m
	[°C]	[°F]	[W]	[Btu/h]	[kcal/h]	[W/W]	[Btu/Wh]	[kcal/Wh]	[W]	[A]	[kg/h]
[°C / °F]	-35	-31	156,8	536	135,0	1,17	4,00	1,01	133,7	0,77	1,76
cond. pressure	-25	-13	257,1	878	221,3	1,54	5,25	1,32	167,4	0,90	2,90
pc= 45/113	-15	5	396,4	1354	341,1	1,99	6,81	1,72	198,7	1,03	4,51
return gas temp.	-10	14	483,4	1651	416,0	2,27	7,75	1,95	213,0	1,09	5,53
RGT= 32/90	-5	23	583,3	1992	502,0	2,58	8,81	2,22	226,0	1,14	6,72
liquid temp	0	32	697,2	2381	600,0	2,93	10,02	2,53	237,6	1,19	8,09
Tliq= 45/113	7,2	45	888,1	3033	764,3	3,53	12,07	3,04	251,4	1,25	10,43
[°C / °F]	-35	-31	131,3	448	113,0	1,03	3,51	0,88	127,8	0,75	1,62
cond. pressure	-25	-13	209,7	716	180,4	1,28	4,36	1,10	164,1	0,88	2,61
pc= 55/131	-15	5	326,8	1116	281,2	1,62	5,54	1,40	201,5	1,04	4,11
return gas temp	-10	14	402,5	1375	346,4	1,83	6,25	1,57	220,0	1,12	5,09
RGT= 32/90	-5	23	491,1	1677	422,6	2,06	7,04	1,77	238,2	1,19	6,26
liquid temp	0	32	593,6	2027	510,9	2,32	7,93	2,00	255,7	1,27	7,62
Tliq= 55/131	7,2	45	768,0	2623	660,9	2,75	9,38	2,36	279,6	1,37	10,00



KL Compressors

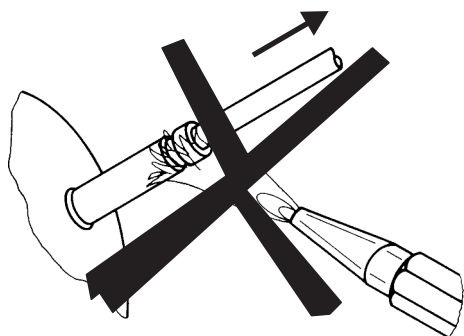




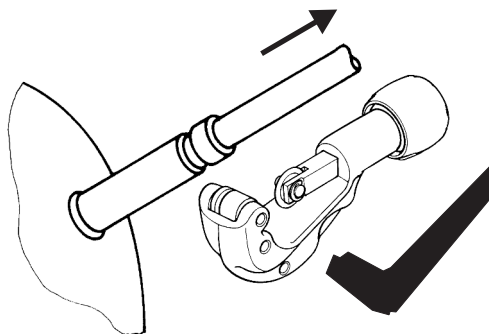
KL Compressors



Service/Repair – R290



8545



Secop accepts no responsibility for possible errors in catalogs, brochures, and other printed material. Secop reserves the right to alter its products without notice. This also applies to products already on order provided that such alterations can be made without subsequent changes being necessary to specifications already agreed. All trademarks in this material are the property of the respective companies. Secop and the Secop logotype are trademarks of Secop GmbH. All rights reserved. www.secop.com