

## Single Pack KLF4.8CNT 200-240V 50Hz / 208-230V 60Hz CSIR

Single pack code number: **195B4698**

Position	Title	Code	Amount
1	Compressor KLF4.8CNT	106H2512	1
2	Bolt joint for one compressor   M6   ø16mm	118-1917	1

**Secop GmbH** • Lise-Meitner-Straße 29 • 24941 Flensburg, Germany • Tel: +49 461 4941 0 • [www.secop.com](http://www.secop.com)

Secop accepts no responsibility for possible errors in catalogs, brochures, and other printed material. Secop reserves the right to alter its products without notice. This also applies to products already on order provided that such alterations can be made without subsequent changes being necessary to specifications already agreed. All trademarks in this material are the property of the respective companies. Secop and the Secop logotype are trademarks of Secop GmbH. All rights reserved.

## Model

Designation	<b>KLF4.8CNT</b>	200-240V/50Hz 1~ 208-230V/60Hz 1~	Sales code:	<b>106H2512</b>
-------------	------------------	-----------------------------------	-------------	-----------------

## Compressor design

Oil type	Polyolester	Refrigerant(s)	<b>R290</b>
Oil viscosity	19,2cSt	Displacement	4,8cm <sup>3</sup> / 0,29cu.in
Oil quantity	162cm <sup>3</sup> / 5,5fl.oz	Compressors on pallet	100
Refr. charge - tech. limit	200g / 7,1oz		
Free gas volume comp.	1615cm <sup>3</sup> / 54,6fl.oz		
Weight	9,2kg / 20,3lbs		
Motor protection	external		
Winding resistance main	10,7Ω (at 25°C)		
Winding resistance aux	17Ω (at 25°C)		
Max. winding temp.	125°C / 257°F		
Max. discharge temp.	130°C / 266°F		



## General - Configurations with KLF4.8CNT

	<b>Conf. 1</b>	<b>Conf. 2</b>
Motorconfiguration	CSIR	CSIR
Power supply (nominal)	200-240V/50Hz	208-230V/60Hz
Number of phases	1	1
Voltage range	187-254V	198-253V
Approvals	UL, CCC, CB	UL, CCC, CB, KC
Starting torque	HST	HST
Note	Electrical equipment is included and pre-assembled to compressor.	

## Applications with KLF4.8CNT

	<b>Conf. 1</b>	<b>Conf. 2</b>
Refrigerant	R290	R290
Application	LBP+MBP	LBP+MBP
System cooling	fan 3m/s	fan 3m/s
Hot gas defrost	OK	OK
Long interval pull down	OK	-/-

## Electrical data - Configurations with KLF4.8CNT

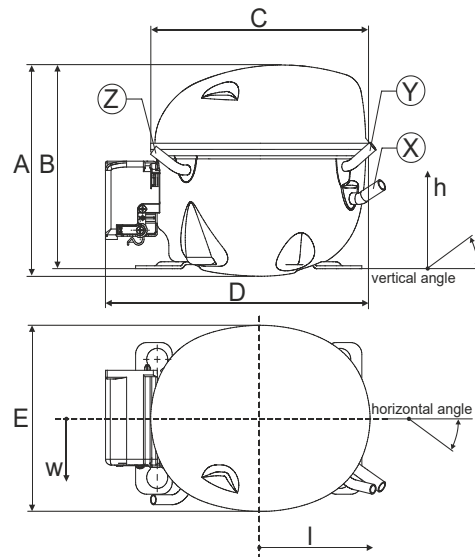
	<b>Conf. 1</b>	<b>Conf. 2</b>
Starting device type	relay	relay
Run capacitor	-/-	-/-
Start capacitor	80μF	80μF
LRA (locked rotor amps / 4s/ U(N))	11,3A	11,3A
RLA (rated load amps / 1s/ U(N))	1,7A	1,7A
Cut in current (U(N))	10,7A	10,7A

## Model

Designation	<b>KLF4.8CNT</b>	200-240V/50Hz 1~ 208-230V/60Hz 1~	Sales code:	<b>106H2512</b>
-------------	------------------	-----------------------------------	-------------	-----------------

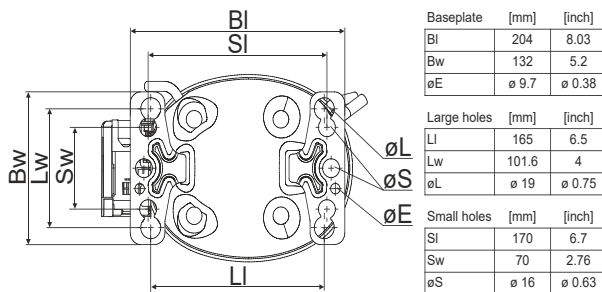
## Compressor dimensions

<b>Housing</b>	A Height	182mm / 7,17in
	B Height	175mm / 6,89in
	C Length shell	198mm / 7,8in
	D Length w. cover	238mm / 9,37in
	E Width	160mm / 6,3in

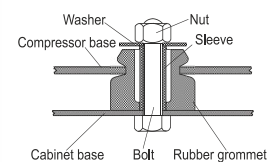


Connectors		Suction	Discharge	Process
		X	Y	Z
Diameter	[mm]	øi 8,11-8,29	øi 6,11-6,29	øi 6,11-6,29
(i:inside, o:outside)	[in]	øi 0,32-0,33	øi 0,24-0,25	øi 0,24-0,25
Material		copper	copper	copper
Horizontal angle	±2°	35°	13°	0°
Vertical angle	±2°	30°	40°	145°
Position l/h/w	[mm]	119/73/59	117/107/66	-88/101/71
	[in]	4,7/2,9/2,3	4,6/4,2/2,6	-3,5/4/2,8
Straight tube l.	[mm]	14	14	14
	[in]	0,5	0,5	0,5

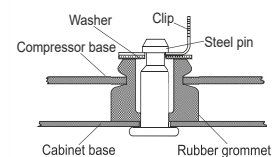
## Compressor fixation



### Bolt joint



### Snap-on



Mounting accessories	one comp.	multi pack
Bolt joint   M6   ø16mm	118-1917	118-1918
Bolt joint   ø1/4"   ø16mm	118-1946	
Bolt joint   ø1/4"   ø19mm	118-1949	
Snap-on   ø7,3   ø16mm	118-1947	118-1919

## Application notes

Provision for PE Grounding is located at the PE Stamp on the compressor

## Model

Designation	<b>KLF4.8CNT</b>	<b>200-240V/50Hz</b>	<b>Conf. 1</b>	Sales code:	<b>106H2512</b>
-------------	------------------	----------------------	----------------	-------------	-----------------

## Configuration

Motorconfiguration	CSIR
Power supply (nominal)	200-240V/50Hz 1~
Refrigerant	R290
Application	LBP+MBP
Voltage range	187-254V
Starting torque	HST
Approvals	UL
	CCC
	CB

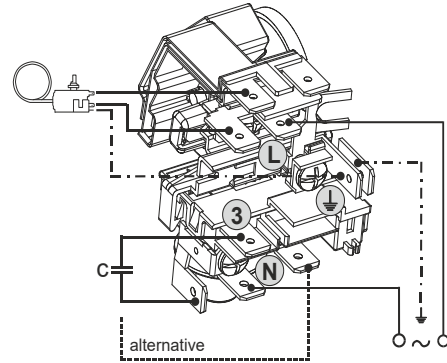
## Electrical accessories / wiring diagram

CSIR

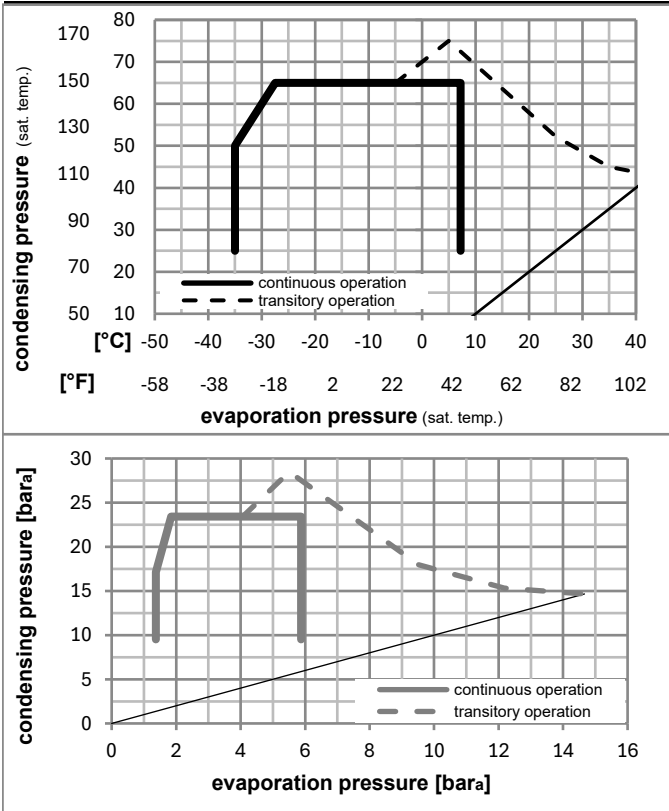


## Ambient/ machine room temperatures minimum /maximum

Ambient temperature range:	10 - 43°C / 50 - 110°F
Machine room temperature range:	10 - 48°C / 50 - 119°F
Compressor cooling:	fan 3m/s



## Operation pressure range



## Components (already pre-assembled)

a5	current relay (T0089/L6-S2)	117U7070
c	start capacitor (80µF, 6.3mm)	117U5003
b	cover terminal board	10636401
.	screw uni en iso 4757	10641201

## Alternative comp. (already pre-assembled)

.	cable clamp	16058100
.	screw - uni6954	10636000
.	screw - uni6954	10636200

## Model

Designation **KLF4.8CNT** **200-240V/50Hz** Conf. 1 Sales code: **106H2512**

## Optimization + standard conditions

R290, 220V/50Hz, CSIR, fan 3m/s, UL, CCC, CB

	pe	pc	RGT	Tliq	Cooling capacity	COP	EER	P1	I	Ref. mass flow	
	[°C]	[°C]	[°C]	[°C]	[W]	[W/W]	[Btu/Wh]	[W]	[A]	[kg/h]	
ASHRAE LBP	-23	54	32	32	228,7	1,48	5,05	154,6	1,38	2,32	
	[°F]	[°F]	[°F]	[°F]	[Btu/h]	[kcal/h]	[kcal/Wh]	[W]	[A]	[kg/h]	
	-10	130	90	90	781	1,96,8	1,27	154,6	1,38	2,32	
cecomaf LBP	-25	55	32	55	170,2	1,13	3,87	150,3	1,37	2,12	
	[°F]	[°F]	[°F]	[°F]	[W]	[W/W]	[Btu/Wh]	[W]	[A]	[kg/h]	
	-13	131	90	131	581	1,13	3,87	150,3	1,37	2,12	
EN12900 LBP	-35	40	20	40	131,9	1,08	3,69	122,1	1,33	1,51	
	[°F]	[°F]	[°F]	[°F]	[W]	[W/W]	[Btu/Wh]	[W]	[A]	[kg/h]	
	-31	104	68	104	450	1,08	3,69	122,1	1,33	1,51	
ASHRAE MBP	-7	54	35	46	420,2	2,07	7,07	202,9	1,49	4,79	
	[°F]	[°F]	[°F]	[°F]	[W]	[W/W]	[Btu/Wh]	[W]	[A]	[kg/h]	
	20	130	95	115	1435	2,07	7,07	202,9	1,49	4,79	
cecomaf MBP	-10	55	32	55	332,3	1,71	5,83	194,6	1,47	4,20	
	[°F]	[°F]	[°F]	[°F]	[W]	[W/W]	[Btu/Wh]	[W]	[A]	[kg/h]	
	14	131	90	131	1135	1,71	5,83	194,6	1,47	4,20	
EN12900 MBP	-10	45	20	45	384,6	2,14	7,29	180,1	1,43	4,72	
	[°F]	[°F]	[°F]	[°F]	[W]	[W/W]	[Btu/Wh]	[W]	[A]	[kg/h]	
	14	113	68	113	1314	2,14	7,29	180,1	1,43	4,72	

## Performance tables

R290, 220V/50Hz, CSIR, fan 3m/s, UL, CCC, CB

	pe	Cooling capacity			COP	EER	P1	I	m		
	[°C]	[°F]	[W]	[Btu/h]	[kcal/h]	[W/W]	[Btu/Wh]	[kcal/Wh]	[W]	[A]	[kg/h]
[°C / °F]	-35	-31	121,2	414	104,3	0,99	3,37	0,85	122,7	1,33	1,36
cond. pressure	-25	-13	211,4	722	181,9	1,45	4,95	1,25	145,9	1,36	2,38
pc= 45/113	-15	5	328,2	1121	282,5	1,94	6,63	1,67	169,0	1,41	3,73
return gas temp.	-10	14	400,4	1367	344,6	2,22	7,59	1,91	180,1	1,43	4,58
RGT= 32/90	-5	23	483,7	1652	416,3	2,54	8,67	2,19	190,5	1,45	5,57
liquid temp	0	32	579,7	1980	498,9	2,90	9,89	2,49	200,2	1,48	6,72
Tliq= 45/113	7,2	45	743,2	2538	639,6	3,50	11,96	3,01	212,3	1,51	8,73
[°C / °F]	-35	-31	90,2	308	77,6	0,74	2,53	0,64	121,6	1,32	1,12
cond. pressure	-25	-13	170,2	581	146,5	1,13	3,87	0,97	150,3	1,37	2,12
pc= 55/131	-15	5	270,6	924	232,9	1,50	5,14	1,29	179,9	1,43	3,40
return gas temp	-10	14	332,3	1135	286,0	1,71	5,83	1,47	194,6	1,47	4,20
RGT= 32/90	-5	23	403,5	1378	347,3	1,93	6,59	1,66	209,0	1,50	5,14
liquid temp	0	32	485,8	1659	418,1	2,18	7,45	1,88	222,8	1,54	6,24
Tliq= 55/131	7,2	45	626,9	2141	539,5	2,60	8,87	2,24	241,3	1,60	8,17

## Model

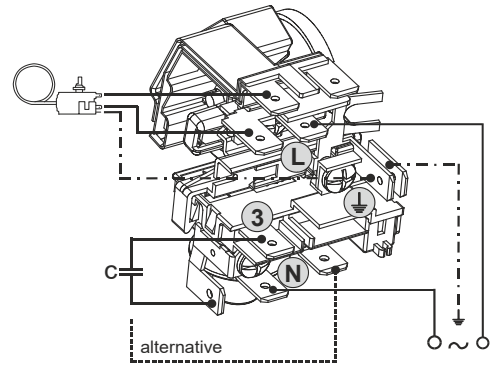
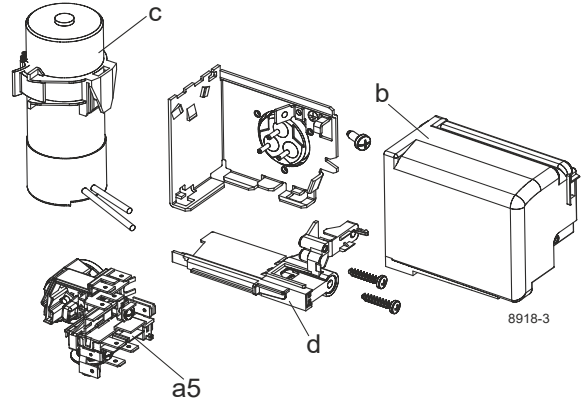
Designation	<b>KLF4.8CNT</b>	<b>208-230V/60Hz</b>	<b>Conf. 2</b>	Sales code:	<b>106H2512</b>
-------------	------------------	----------------------	----------------	-------------	-----------------

## Configuration

Motorconfiguration	CSIR
Power supply (nominal)	208-230V/60Hz 1~
Refrigerant	R290
Application	LBP+MBP
Voltage range	198-253V
Starting torque	HST
Approvals	UL
	CCC
	CB
	KC

## Electrical accessories / wiring diagram

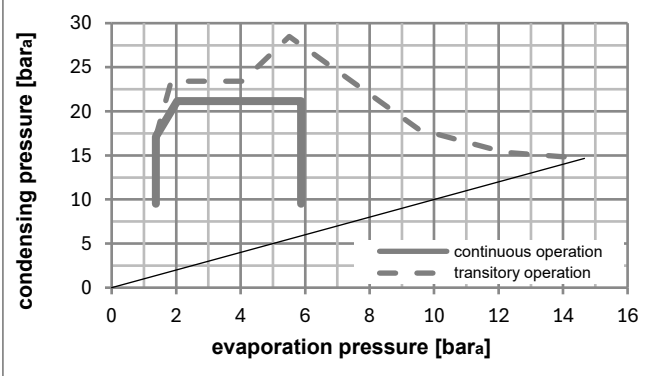
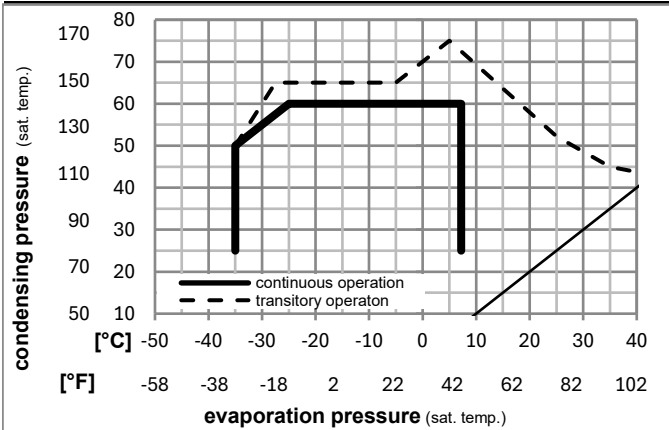
CSIR



## Ambient/ machine room temperatures minimum /maximum

Ambient temperature range:	10 - 43°C / 50 - 110°F
Machine room temperature range:	10 - 48°C / 50 - 119°F
Compressor cooling:	fan 3m/s

## Operation pressure range



## Components (already pre-assembled)

a5	current relay (T0089/L6-S2)	117U7070
c	start capacitor (80μF, 6.3mm)	117U5003
b	cover terminal board	10636401
.	screw uni en iso 4757	10641201

## Alternative comp. (already pre-assembled)

.	cable clamp	16058100
.	screw - uni6954	10636000
.	screw - uni6954	10636200

### Model

Designation **KLF4.8CNT** **208-230V/60Hz** Conf. 2 Sales code: **106H2512**

### Optimization + standard conditions

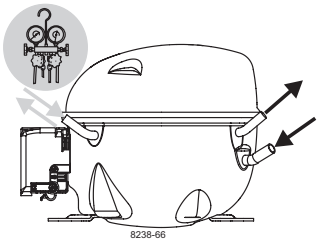
R290, 230V/60Hz, CSIR, fan 3m/s, UL, CCC, CB, KC

	Evaporating pressure (saturation temperature)				Cooling capacity			COP	EER			Power consumption			ASHRAE LBP
	pe	pc	RGT	Tliq	[W]	[Btu/h]	[kcal/h]		[W/W]	[Btu/Wh]	[kcal/Wh]	P1	I	m	
[°C]	-23	54	32	32	284,7	972	245,1	1,57	5,38	1,35	180,9	1,26	2,88		
[°F]	-10	130	90	90											
[°C]	-25	55	32	55	213,0	727	183,3	1,23	4,19	1,05	173,8	1,24	2,65	cecomaf LBP	
[°F]	-13	131	90	131											
[°C]	-35	40	20	40	160,5	548	138,2	1,19	4,07	1,03	134,7	1,14	1,83	EN12900 LBP	
[°F]	-31	104	68	104											
[°C]	-7	54	35	46	520,0	1776	447,5	2,09	7,13	1,80	249,1	1,47	5,93	ASHRAE MBP	
[°F]	20	130	95	115											
[°C]	-10	55	32	55	411,0	1404	353,7	1,73	5,92	1,49	237,1	1,43	5,20	cecomaf MBP	
[°F]	14	131	90	131											
[°C]	-10	45	20	45	462,7	1580	398,2	2,09	7,12	1,79	221,9	1,38	5,68	EN12900 MBP	
[°F]	14	113	68	113											

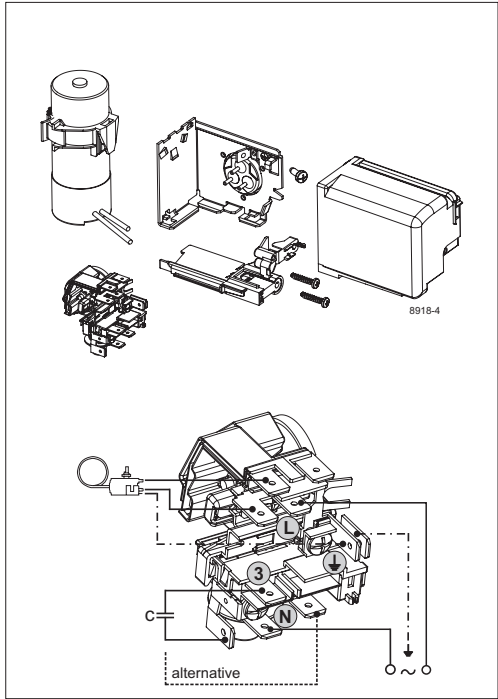
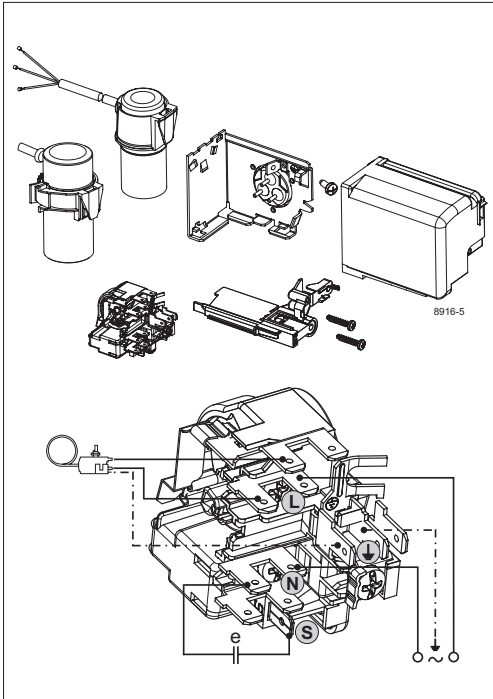
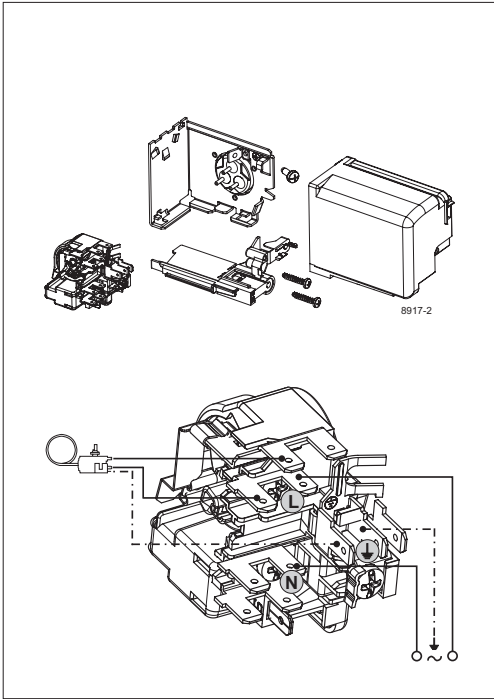
### Performance tables

R290, 230V/60Hz, CSIR, fan 3m/s, UL, CCC, CB, KC

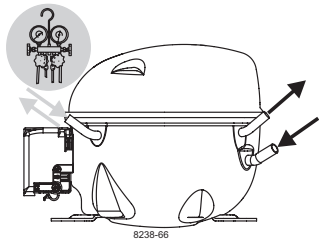
	pe		Cooling capacity			COP	EER		P1	I	m
	[°C]	[°F]	[W]	[Btu/h]	[kcal/h]		[W/W]	[Btu/Wh]			
[°C / °F]	-35	-31	152,8	522	131,5	1,13	3,85	0,97	135,7	1,15	1,71
cond. pressure	-25	-13	253,2	865	217,9	1,48	5,05	1,27	171,1	1,23	2,86
pc= 45/113	-15	5	394,3	1347	339,3	1,91	6,53	1,65	206,1	1,33	4,49
return gas temp.	-10	14	481,7	1645	414,6	2,17	7,41	1,87	221,9	1,38	5,51
RGT= 32/90	-5	23	581,2	1985	500,2	2,46	8,42	2,12	235,9	1,42	6,69
liquid temp	0	32	693,5	2369	596,9	2,80	9,57	2,41	247,4	1,46	8,04
Tliq= 45/113	7,2	45	879,0	3002	756,5	3,40	11,61	2,92	258,6	1,50	10,33
[°C / °F]	-35	-31	130,2	445	112,0	0,98	3,36	0,85	132,4	1,14	1,61
cond. pressure	-25	-13	213,0	727	183,3	1,23	4,19	1,05	173,8	1,24	2,65
pc= 55/131	-15	5	334,3	1142	287,7	1,54	5,27	1,33	216,6	1,36	4,20
return gas temp	-10	14	411,0	1404	353,7	1,73	5,92	1,49	237,1	1,43	5,20
RGT= 32/90	-5	23	499,3	1705	429,7	1,95	6,66	1,68	256,2	1,49	6,36
liquid temp	0	32	599,8	2048	516,2	2,19	7,49	1,89	273,3	1,55	7,70
Tliq= 55/131	7,2	45	767,2	2620	660,2	2,61	8,93	2,25	293,4	1,62	9,99



# KL Compressors



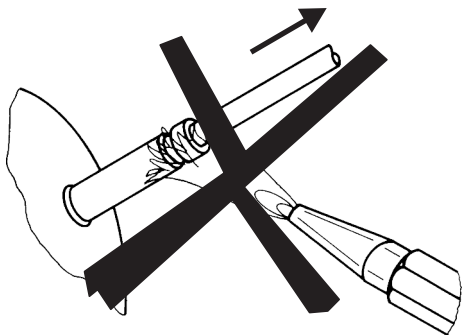




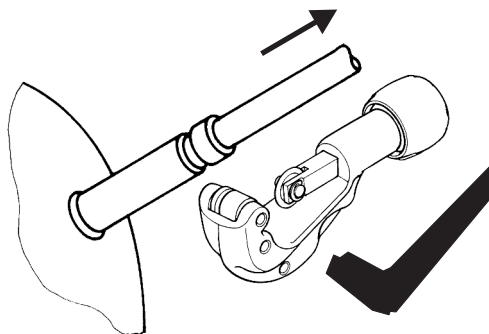
# KL Compressors



## Service/Repair – R290



8545



Secop accepts no responsibility for possible errors in catalogs, brochures, and other printed material. Secop reserves the right to alter its products without notice. This also applies to products already on order provided that such alterations can be made without subsequent changes being necessary to specifications already agreed. All trademarks in this material are the property of the respective companies. Secop and the Secop logotype are trademarks of Secop GmbH. All rights reserved. [www.secop.com](http://www.secop.com)