

Single Pack KLF4.8CNH 115-127V 60Hz CSIR

Single pack code number: **195B4709**

Position	Title	Code	Amount
1	Compressor KLF4.8CNH	106H3500	1
2	KL accessories	103N1060	1
3	Starting capacitor (240 μ F 125V, 6.3mm)	117U5002	1
4	Starting relay (QLZ-13.6A, overload protector T1217/L6)	117U7072	1
5	Bolt joint for one compressor M6 \varnothing 16mm	118-1917	1

Secop GmbH • Lise-Meitner-Straße 29 • 24941 Flensburg, Germany • Tel: +49 461 4941 0 • www.secop.com

Secop accepts no responsibility for possible errors in catalogs, brochures, and other printed material. Secop reserves the right to alter its products without notice. This also applies to products already on order provided that such alterations can be made without subsequent changes being necessary to specifications already agreed. All trademarks in this material are the property of the respective companies. Secop and the Secop logotype are trademarks of Secop GmbH. All rights reserved.

Model

Designation	KLF4.8CNH	115-127V/60Hz 1~	Sales code:	106H3500
-------------	------------------	------------------	-------------	-----------------

Compressor design

Oil type	Polyolester	Refrigerant(s)	R290
Oil viscosity	10,4cSt	Displacement	4,8cm ³ / 0,29cu.in
Oil quantity	174cm ³ / 5,9fl.oz	Compressors on pallet	100
Refr. charge - tech. limit	200g / 7,1oz		
Free gas volume comp.	1615cm ³ / 54,6fl.oz		
Weight	9,4kg / 20,7lbs		
Motor protection	external		
Winding resistance main	2Ω (at 25°C)		
Winding resistance aux	8,5Ω (at 25°C)		
Max. winding temp.	125°C / 257°F		
Max. discharge temp.	130°C / 266°F		



General - Configurations with KLF4.8CNH

	Conf. 1	Conf. 2
Motorconfiguration	CSIR	RSCR
Power supply (nominal)	115-127V/60Hz	115-127V/60Hz
Number of phases	1	1
Voltage range	95-140V	95-140V
Approvals	UL, CCC	UL, CCC
Starting torque	HST	LST
Note	- / -	

Applications with KLF4.8CNH

	Conf. 1	Conf. 2
Refrigerant	R290	R290
Application	LBP+MBP	LBP+MBP
System cooling	fan 3m/s	fan 3m/s
Hot gas defrost	OK	OK
Long interval pull down	OK	OK

Electrical data - Configurations with KLF4.8CNH

	Conf. 1	Conf. 2
Starting device type	relay	PTC
Run capacitor	-/-	15μF
Start capacitor	240μF	-/-
LRA (locked rotor amps / 4s/ U(N))	29,8A	29,8A
RLA (rated load amps / 1s/ U(N))	4,3A	4,3A
Cut in current (U(N))	27,5A	30,1A

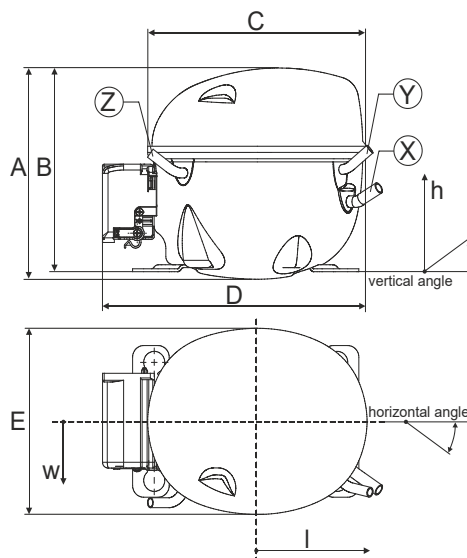
Model

Designation	KLF4.8CNH	115-127V/60Hz 1~	Sales code:	106H3500
-------------	------------------	------------------	-------------	-----------------

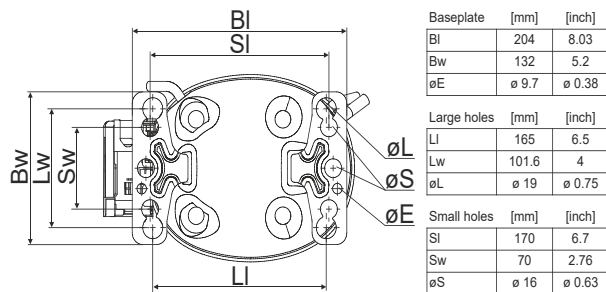
Compressor dimensions

Housing	A Height	182mm / 7,17in
	B Height	175mm / 6,89in
	C Length shell	198mm / 7,8in
	D Length w. cover	238mm / 9,37in
	E Width	160mm / 6,3in

Connectors		Suction	Discharge	Process
		X	Y	Z
Diameter	[mm]	øi 8,11-8,29	øi 6,41-6,59	øi 6,41-6,59
(i:inside, o:outside)	[in]	øi 0,32-0,33	øi 0,25-0,26	øi 0,25-0,26
Material		copper	copper	copper
Horizontal angle	±2°	35°	13°	0°
Vertical angle	±2°	30°	40°	145°
Position l/h/w	[mm]	119/73/59	117/107/66	-88/101/71
	[in]	4,7/2,9/2,3	4,6/4,2/2,6	-3,5/4/2,8
Straight tube l.	[mm]	14	14	14
	[in]	0,5	0,5	0,5



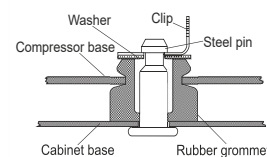
Compressor fixation



Bolt joint



Snap-on



Mounting accessories	one comp.	multi pack
Bolt joint M6 ø16mm	118-1917	118-1918
Bolt joint ø1/4" ø16mm	118-1946	
Bolt joint ø1/4" ø19mm	118-1949	
Snap-on ø7,3 ø16mm	118-1947	118-1919

Application notes

Provision for PE Grounding is located at the PE Stamp on the compressor

Model

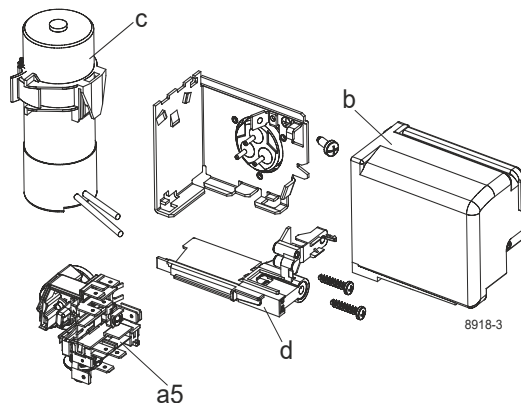
Designation	KLF4.8CNH	115-127V/60Hz	Conf. 1	Sales code:	106H3500
-------------	------------------	----------------------	----------------	-------------	-----------------

Configuration

Motorconfiguration	CSIR
Power supply (nominal)	115-127V/60Hz 1~
Refrigerant	R290
Application	LBP+MBP
Voltage range	95-140V
Starting torque	HST
Approvals	UL CCC

Electrical accessories / wiring diagram

CSIR

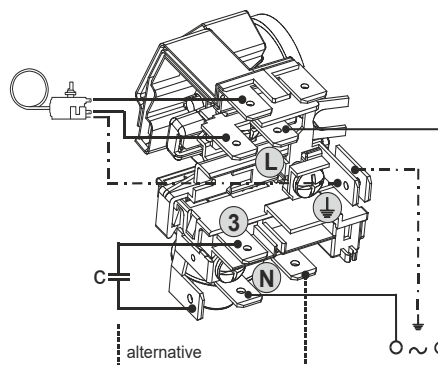


Ambient/ machine room temperatures minimum /maximum

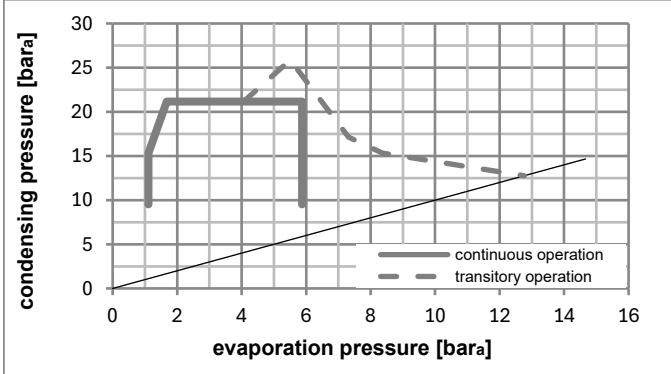
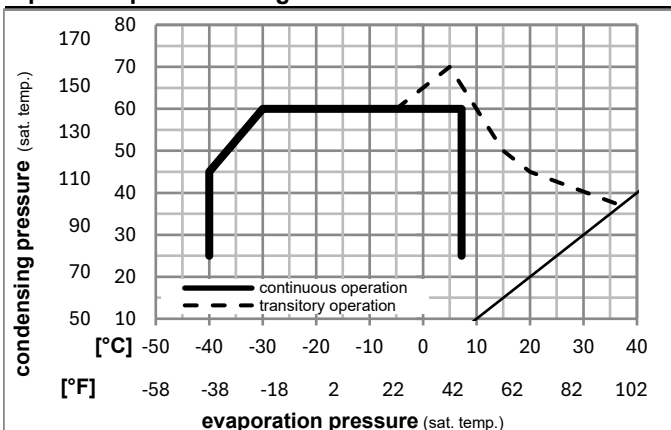
Ambient temperature range: 10 - 43°C / 50 - 110°F

Machine room temperature range: 10 - 48°C / 50 - 119°F

Compressor cooling: fan 3m/s



Operation pressure range



Components

a5	current relay (T1217/L6-S5)	117U7072
c	start capacitor (240µF)	117U5002
b, d	cover + clamp + screws(5VA) in bag	103N1060

Alternative components

b, d	100x cover + clamp + screws(5VA)	103N2060
b, d	cover + clamp + screws(5VA-compl.)	103N0600

Model

Designation **KLF4.8CNH** **115-127V/60Hz** Conf. 1 Sales code: **106H3500**

Optimization + standard conditions

R290, 115V/60Hz, CSIR, fan 3m/s, UL, CCC

		Evaporating pressure (saturation temperature)				Cooling capacity			COP	EER	Power consumption				
		Condensing pressure (saturation temperature)		Return gas temp.	Liquid temp.	[W]	[Btu/h]	[kcal/h]	[W/W]	[Btu/Wh]	[kcal/Wh]	P1	I	Ref. mass flow	
[°C]	[°F]	pe	pc	RGT	Tliq							[W]	[A]	[kg/h]	
-23	-10	54	130	32	90	278,1	950	239,3	1,55	5,31	1,34	178,9	2,78	2,82	ASHRAE LBP
-25	-13	55	131	32	90	208,0	710	179,0	1,21	4,13	1,04	172,0	2,75	2,59	cecomaf LBP
-35	-31	40	104	20	68	156,7	535	134,9	1,17	4,00	1,01	133,8	2,61	1,79	EN12900 LBP
-7	20	54	130	35	95	508,0	1735	437,2	2,07	7,07	1,78	245,4	3,16	5,80	ASHRAE MBP
-10	14	55	131	32	90	401,5	1371	345,6	1,72	5,87	1,48	233,7	3,09	5,08	cecomaf MBP
-10	14	45	113	20	68	452,0	1544	389,0	2,06	7,05	1,78	219,0	2,99	5,55	EN12900 MBP

Performance tables

R290, 115V/60Hz, CSIR, fan 3m/s, UL, CCC

	pe		Cooling capacity			COP	EER	P1	I	m	
	[°C]	[°F]	[W]	[Btu/h]	[kcal/h]	[W/W]	[Btu/Wh]	[kcal/Wh]	[W]	[A]	[kg/h]
[°C / °F]	-40	-40	113,5	388	97,7	0,96	3,27	0,82	118,6	2,57	1,27
cond. pressure	-34	-30	153,7	525	132,3	1,12	3,84	0,97	136,6	2,62	1,72
pc= 45/113	-23	-10	267,3	913	230,1	1,53	5,21	1,31	175,2	2,77	3,02
return gas temp.	-15	5	385,1	1315	331,4	1,89	6,46	1,63	203,5	2,91	4,38
RGT= 32/90	-4	25	591,1	2019	508,7	2,51	8,58	2,16	235,3	3,09	6,82
liquid temp	0	32	677,5	2314	583,1	2,78	9,49	2,39	243,9	3,14	7,86
Tliq= 45/113	7,2	45	859,4	2935	739,6	3,37	11,52	2,90	254,8	3,22	10,10
[°C / °F]	-40	-40	99,2	339	85,4	0,88	2,99	0,75	113,2	2,54	1,22
cond. pressure	-34	-30	130,7	446	112,5	0,98	3,34	0,84	133,7	2,60	1,62
pc= 55/131	-23	-10	225,0	768	193,6	1,26	4,29	1,08	179,0	2,78	2,81
return gas temp	-15	5	326,6	1115	281,0	1,53	5,22	1,31	213,8	2,97	4,11
RGT= 32/90	-4	25	508,6	1737	437,7	1,98	6,78	1,71	256,2	3,23	6,49
liquid temp	0	32	586,0	2001	504,3	2,18	7,44	1,87	269,0	3,31	7,53
Tliq= 55/131	7,2	45	750,2	2562	645,7	2,60	8,88	2,24	288,6	3,45	9,77

Model

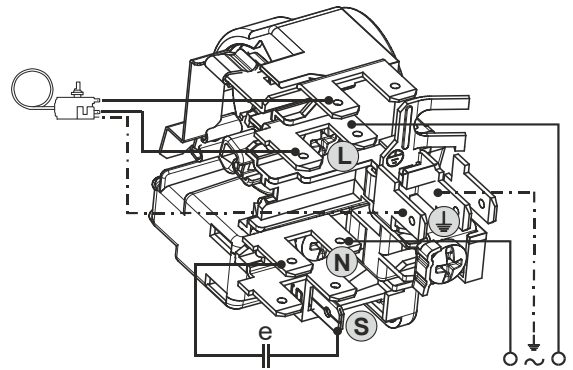
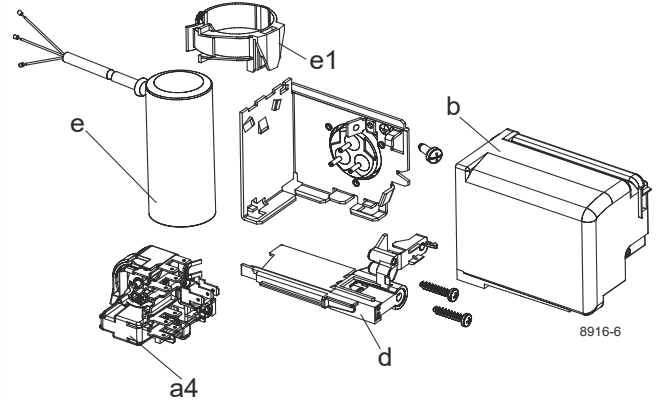
Designation	KLF4.8CNH	115-127V/60Hz	Conf. 2	Sales code:	106H3500
-------------	------------------	----------------------	----------------	-------------	-----------------

Configuration

Motorconfiguration	RSCR
Power supply (nominal)	115-127V/60Hz 1~
Refrigerant	R290
Application	LBP+MBP
Voltage range	95-140V
Starting torque	LST
Approvals	UL CCC

Electrical accessories / wiring diagram

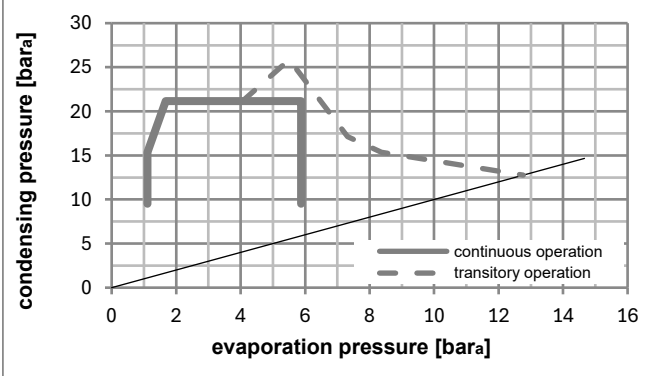
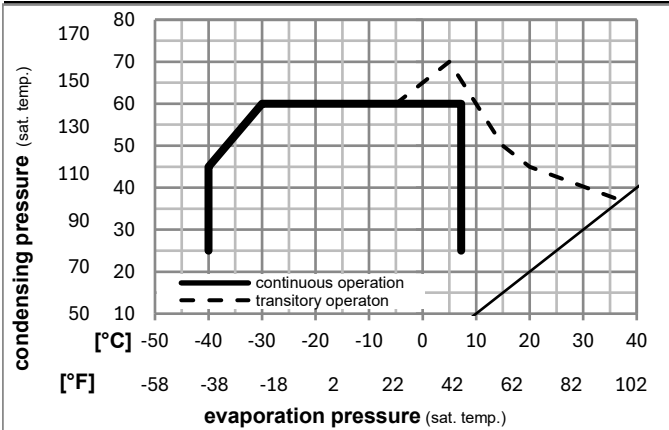
RSCR



Ambient/ machine room temperatures minimum /maximum

Ambient temperature range:	10 - 43°C / 50 - 110°F
Machine room temperature range:	10 - 48°C / 50 - 119°F
Compressor cooling:	fan 3m/s

Operation pressure range



Components

a4	DLS5 (PTC,6.3mm, T1217/L6 - S5)	103N0212
e	run capacitor (15μF, 6,3mm)	117-7153
b, d	cover + clamp + screws(5VA) in bag	103N1060
e1	retaining clamp	103N0535

Alternative components

b, d	100x cover + clamp + screws(5VA)	103N2060
b, d	cover + clamp + screws(5VA-compl.)	103N0600

Model

Designation **KLF4.8CNH** **115-127V/60Hz** Conf. 2 Sales code: **106H3500**

Optimization + standard conditions

R290, 115V/60Hz, RSCR, fan 3m/s, UL, CCC

	Evaporating pressure (saturation temperature)				Cooling capacity	COP	EER	Power consumption			ASHRAE LBP			
	pe	pc	RGT	Tliq				P1	I	m				
	[°C]	[°F]	[°C]	[°F]	[W]	[Btu/h]	[kcal/h]	[W/W]	[Btu/Wh]	[kcal/Wh]	[W]	[A]	[kg/h]	
	-23	54	32	32	278,7	952	239,9	1,61	5,51	1,39	172,7	2,80	2,82	ASHRAE LBP
	-10	130	90	90										
	-25	55	32	55	208,5	712	179,4	1,26	4,29	1,08	166,0	2,77	2,60	cecomaf LBP
	-13	131	90	131										
	-35	40	20	40	157,1	537	135,2	1,22	4,15	1,05	129,1	2,62	1,80	EN12900 LBP
	-31	104	68	104										
	-7	54	35	46	509,2	1739	438,2	2,15	7,34	1,85	236,8	3,17	5,81	ASHRAE MBP
	20	130	95	115										
	-10	55	32	55	402,5	1375	346,4	1,78	6,09	1,54	225,6	3,10	5,09	cecomaf MBP
	14	131	90	131										
	-10	45	20	45	453,1	1547	389,9	2,14	7,32	1,85	211,3	3,01	5,56	EN12900 MBP
	14	113	68	113										

Performance tables

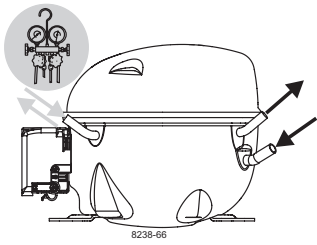
R290, 115V/60Hz, RSCR, fan 3m/s, UL, CCC

	pe		Cooling capacity			COP	EER	P1	I	m	
	[°C]	[°F]	[W]	[Btu/h]	[kcal/h]	[W/W]	[Btu/Wh]	[kcal/Wh]	[W]	[A]	[kg/h]
[°C / °F]	-40	-40	113,8	389	97,9	0,99	3,39	0,86	114,5	2,59	1,27
cond. pressure	-34	-30	154,0	526	132,6	1,17	3,99	1,01	131,8	2,63	1,73
pc= 45/113	-23	-10	268,0	915	230,6	1,58	5,41	1,36	169,1	2,78	3,03
return gas temp.	-15	5	386,0	1318	332,2	1,97	6,71	1,69	196,4	2,92	4,39
RGT= 32/90	-4	25	592,5	2024	509,9	2,61	8,91	2,25	227,1	3,11	6,83
liquid temp	0	32	679,2	2319	584,5	2,89	9,86	2,48	235,3	3,16	7,88
Tliq= 45/113	7,2	45	861,4	2942	741,3	3,50	11,97	3,02	245,9	3,23	10,12
[°C / °F]	-40	-40	99,4	340	85,6	0,91	3,11	0,78	109,2	2,55	1,23
cond. pressure	-34	-30	131,0	447	112,7	1,02	3,47	0,87	129,0	2,61	1,62
pc= 55/131	-23	-10	225,5	770	194,1	1,31	4,46	1,12	172,7	2,80	2,81
return gas temp	-15	5	327,3	1118	281,7	1,59	5,42	1,37	206,3	2,98	4,12
RGT= 32/90	-4	25	509,8	1741	438,7	2,06	7,04	1,77	247,3	3,24	6,51
liquid temp	0	32	587,4	2006	505,6	2,26	7,73	1,95	259,6	3,33	7,55
Tliq= 55/131	7,2	45	752,1	2568	647,2	2,70	9,22	2,32	278,5	3,46	9,80



KL Compressors

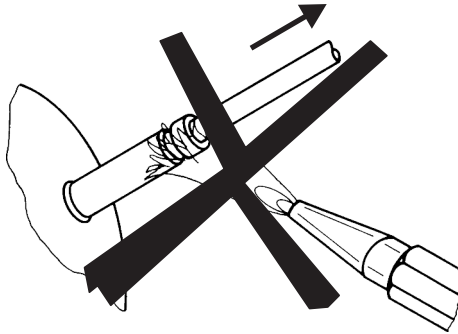




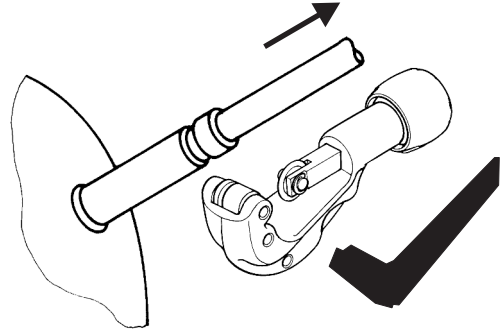
KL Compressors



Service/Repair – R290



8545



Secop accepts no responsibility for possible errors in catalogs, brochures, and other printed material. Secop reserves the right to alter its products without notice. This also applies to products already on order provided that such alterations can be made without subsequent changes being necessary to specifications already agreed. All trademarks in this material are the property of the respective companies. Secop and the Secop logotype are trademarks of Secop GmbH. All rights reserved. www.secop.com