

Single Pack HMK80AA 220-240V 50Hz RSIR

Single pack code number: **195B4711**

Position	Title	Code	Amount
1	Compressor HMK80AA	16050800	1
2	Screw for cable clamp	10636000	1
3	Screw for cable clamp	10636200	1
4	Earth screw	10641201	1
5	Cable clamp	11341000	1
6	Terminal board 4.8mm	15163500	1
7	Cover	10636401	1
8	Bolt joint for one compressor M6 ø16mm	118-1917	1

Secop GmbH • Lise-Meitner-Straße 29 • 24941 Flensburg, Germany • Tel: +49 461 4941 0 • www.secop.com

Secop accepts no responsibility for possible errors in catalogs, brochures, and other printed material. Secop reserves the right to alter its products without notice. This also applies to products already on order provided that such alterations can be made without subsequent changes being necessary to specifications already agreed. All trademarks in this material are the property of the respective companies. Secop and the Secop logotype are trademarks of Secop GmbH. All rights reserved.

Model

Designation	HMK80AA	220-240V/50Hz 1~	Sales code:	16050800
-------------	----------------	-------------------------	-------------	-----------------

Compressor design

Oil type	Mineral	Refrigerant(s)	R600a
Oil viscosity	4,6cST	Displacement	8,1cm ³ / 0,49cu.in
Oil quantity	162cm ³ / 5,5fl.oz	Compressors on pallet	100
Refr. charge - tech. limit	150g / 5,3oz		
Free gas volume comp.	1520cm ³ / 51,4fl.oz		
Weight	7,6kg / 16,8lbs		
Motor protection	external		
Winding resistance main	29,4Ω (at 25°C)		
Winding resistance aux	16,5Ω (at 25°C)		
Max. winding temp.	130°C / 266°F		
Max. discharge temp.	120°C / 248°F		



General - Configurations with HMK80AA

	Conf. 1	Conf. 2
Motorconfiguration	RSIR	RSIR
Power supply (nominal)	220-240V/50Hz	220-240V/50Hz
Number of phases	1	1
Voltage range	187-264V	187-264V
Approvals	VDE	VDE
Starting torque	LST	LST
Note	Various options of connectors are possible - please contact SECOP-Sales.	

Applications with HMK80AA

	Conf. 1	Conf. 2
Refrigerant	R600a	R600a
Application	LBP	LBP
System cooling	static	static
Hot gas defrost	-/-	-/-
Long interval pull down	-/-	-/-

Electrical data - Configurations with HMK80AA

	Conf. 1	Conf. 2
Starting device type	PTC	PTC
Run capacitor	-/-	-/-
Start capacitor	-/-	-/-
LRA (locked rotor amps / 4s/ U(N))	3,55A	3,55A
RLA (rated load amps / 1s/ U(N))	0,8A	0,8A
Cut in current (U(N))	10A	10A

Model

Designation

HMK80AA

220-240V/50Hz 1~

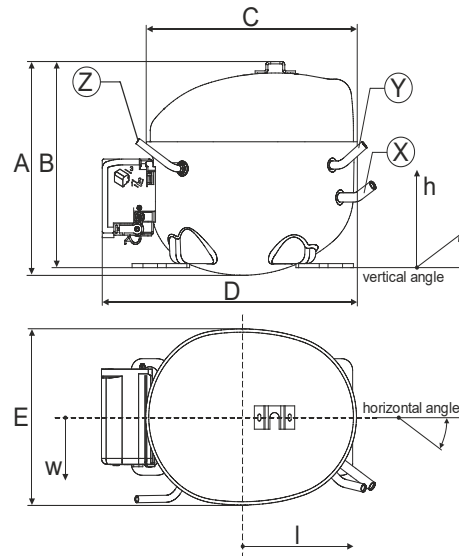
Sales code:

16050800

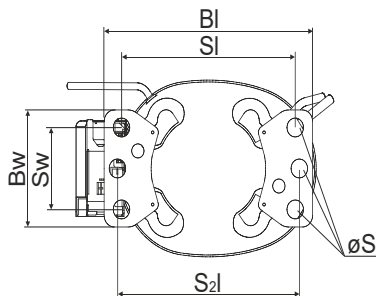
Compressor dimensions

Housing	A Height	174mm / 6,85in
	B Height	167mm / 6,57in
	C Length shell	194mm / 7,64in
	D Length w. cover	238mm / 9,37in
	E Width	151mm / 5,94in

Connectors		Suction	Discharge	Process
		X	Y	Z
Diameter	[mm]	øi 6,16-6,24	øi 5,1-5,2	øi 6,11-6,29
	(i:inside, o:outside) [in]	øi 0,24-0,25	øi 0,2-0,2	øi 0,24-0,25
Material		copper	copper	copper
Horizontal angle	±2°	54°	35°	45°
Vertical angle	±2°	35°	40°	35°
Position l/h/w	[mm]	120/92/57	112/106/81	-86/94/72
	[in]	4,7/3,6/2,2	4,4/4,2/3,2	-3,4/3,7/2,8
Straight tube l.	[mm]	14	14	14
	[in]	0,5	0,5	0,5

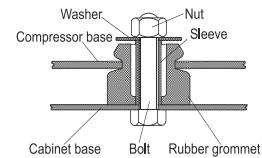


Compressor fixation

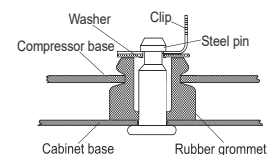


Baseplate	[mm]	[inch]
BI	204	8.03
BW	100	3.94
Small holes		
	[mm]	[inch]
SI	170	6.7
SW	70	2.76
S2l	178	7
øS	ø 16	ø 0.63

Bolt joint



Snap-on



Mounting accessories

Mounting accessories	order code
'4ZN' with rubber grommet	772N
'4ZN' with rubber grommet and sleeve for M6	768N
Bolt joint kit	4ZN + 118-1917 (18)
'4ZN' with Snap on kit	776N

Application notes

Provision for PE Grounding is located at the PE Stamp on the compressor

Housing with dip-tray fixture (omega bracket).

Various options of connectors are possible - please contact SECOP-Sales.

Model

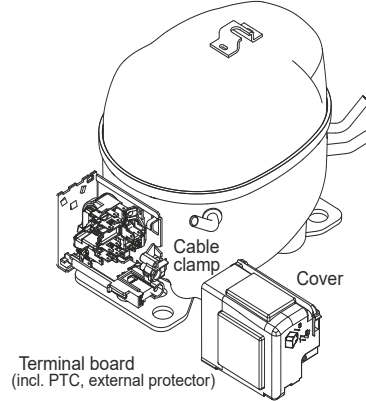
Designation	HMK80AA	220-240V/50Hz	Conf. 1	Sales code:	16050800
-------------	----------------	----------------------	---------	-------------	-----------------

Configuration

Motorconfiguration	RSIR
Power supply (nominal)	220-240V/50Hz 1~
Refrigerant	R600a
Application	LBP
Voltage range	187-264V
Starting torque	LST
Approvals	VDE

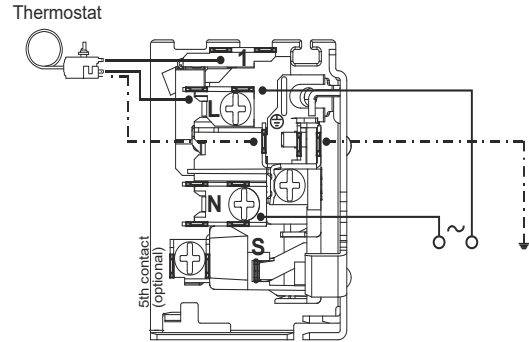
Electrical accessories / wiring diagram

RSIR

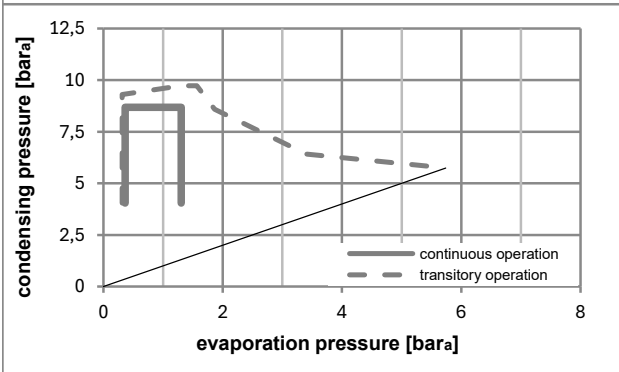
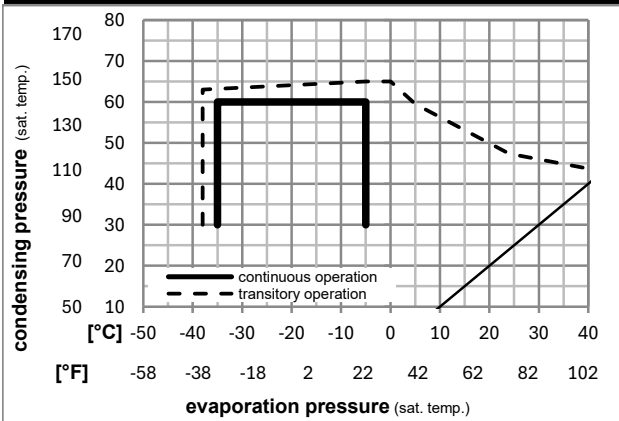


Ambient/ machine room temperatures minimum /maximum

Ambient temperature range:	10 - 43°C / 50 - 110°F
Machine room temperature range:	10 - 48°C / 50 - 119°F
Compressor cooling:	static



Operation pressure range



8858-6

Components

. terminal board (PTC, 4.8mm)	15163500
. cover	15759500
. cable clamp	11341000
. screw uni en iso 4757	10641201

Model

Designation	HMK80AA	220-240V/50Hz	Conf. 1	Sales code:	16050800
-------------	----------------	----------------------	---------	-------------	-----------------

Optimization + standard conditions

R600a, 220V/50Hz, RSIR, static, VDE

	Evaporating pressure (saturation temperature)				Cooling capacity			COP	EER	kcal/Wh	Power consumption		Ref. mass flow ṁ	
	pe	pc	RGT	Tliq	[W]	[Btu/h]	[kcal/h]				P1	I		
[°C]	-23	54	32	32	135,9	464	117,0	1,50	5,13	1,29	90,5	0,62	1,46	ASHRAE LBP
[°F]	-10	130	90	90										
[°C]	-25	55	32	55	101,7	347	87,5	1,18	4,02	1,01	86,5	0,61	1,33	cecomaf LBP
[°F]	-13	131	90	131										
[°C]	-35	40	20	40	72,6	248	62,5	1,12	3,84	0,97	64,6	0,52	0,88	EN12900 LBP
[°F]	-31	104	68	104										
[°C]	-23	49	4,4	49	109,9	375	94,6	1,24	4,24	1,07	88,6	0,61	1,61	ARI540 LBP
[°F]	-10	120	40	120										
[°C]	-23	41	32	32	144,2	493	124,1	1,68	5,74	1,45	85,8	0,60	1,55	AHAM LBP
[°F]	-10	105	90	90										
[°C]	-35	45	32	45	68,1	233	58,6	1,07	3,65	0,92	63,8	0,51	0,81	opt
[°F]	-31	113	90	113										

Performance tables

R600a, 220V/50Hz, RSIR, static, VDE

	pe		Cooling capacity			COP	EER	kcal/Wh	P1	I	m
	[°C]	[°F]	[W]	[Btu/h]	[kcal/h]						
[°C / °F]	-35	-31	68,1	233	58,6	1,07	3,65	0,92	63,8	0,51	0,81
cond. pressure	-30	-22	89,6	306	77,1	1,21	4,14	1,04	73,9	0,55	1,07
pc= 45/113	-25	-13	117,1	400	100,8	1,40	4,77	1,20	83,9	0,59	1,39
return gas temp.	-23	-10	127,8	437	110,0	1,46	5,00	1,26	87,3	0,61	1,52
RGT= 32/90	-20	-4	150,7	514	129,7	1,60	5,47	1,38	94,0	0,64	1,80
liquid temp	-15	5	190,2	650	163,7	1,83	6,24	1,57	104,1	0,69	2,27
Tliq= 45/113	-5	23	287,3	981	247,3	2,31	7,88	1,99	124,6	0,78	3,45
[°C / °F]	-35	-31	54,7	187	47,1	0,88	3,01	0,76	62,1	0,49	0,71
cond. pressure	-30	-22	75,6	258	65,1	1,02	3,48	0,88	74,1	0,55	0,99
pc= 55/131	-25	-13	101,7	347	87,5	1,18	4,02	1,01	86,5	0,61	1,33
return gas temp	-23	-10	111,7	382	96,2	1,23	4,21	1,06	90,7	0,62	1,46
RGT= 32/90	-20	-4	132,9	454	114,4	1,34	4,58	1,15	99,1	0,66	1,74
liquid temp	-15	5	169,4	578	145,8	1,51	5,16	1,30	112,0	0,72	2,22
Tliq= 55/131	-5	23	257,7	880	221,8	1,86	6,34	1,60	138,8	0,85	3,39

Model

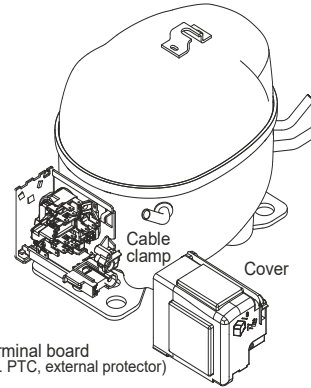
Designation	HMK80AA	220-240V/50Hz	Conf. 2	Sales code:	16050800
-------------	----------------	----------------------	----------------	-------------	-----------------

Configuration

Motorconfiguration	RSIR
Power supply (nominal)	220-240V/50Hz 1~
Refrigerant	R600a
Application	LBP
Voltage range	187-264V
Starting torque	LST
Approvals	VDE

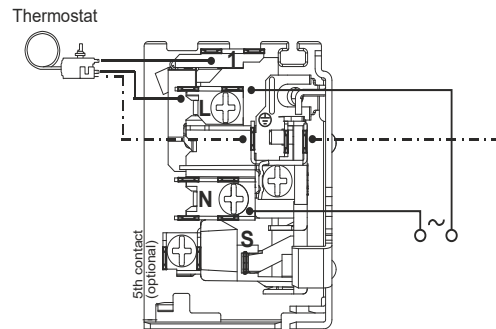
Electrical accessories / wiring diagram

RSIR

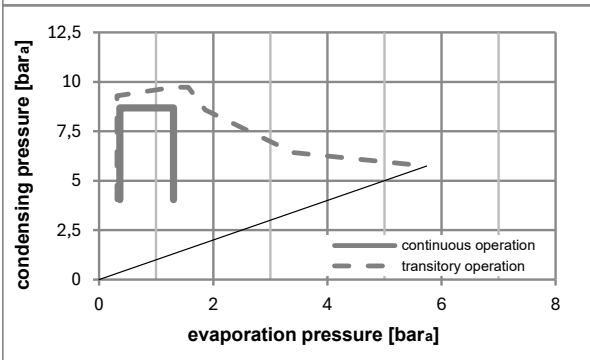
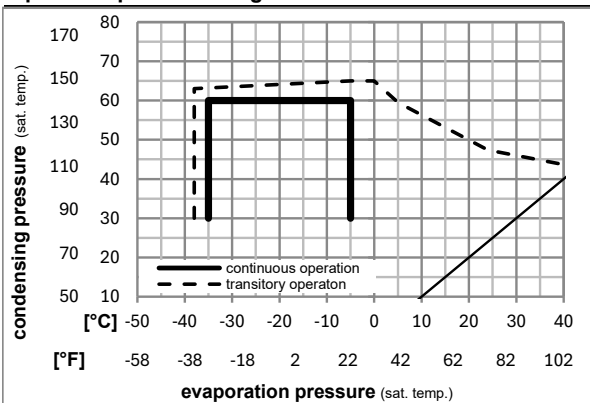


Ambient/ machine room temperatures minimum /maximum

Ambient temperature range:	10 - 43°C / 50 - 110°F
Machine room temperature range:	10 - 48°C / 50 - 119°F
Compressor cooling:	static



Operation pressure range



Components

. terminal board (PTC, 6.3mm)	15279300
b cover terminal board	10636401
. cable clamp	11341000
. screw - uni6954	10636000
. screw - uni6954	10636200
. screw uni en iso 4757	10641201

8858-6

Model

Designation	HMK80AA	220-240V/50Hz	Conf. 2	Sales code:	16050800
-------------	----------------	----------------------	----------------	-------------	-----------------

Optimization + standard conditions

R600a, 220V/50Hz, RSIR, static, VDE

		Evaporating pressure (saturation temperature)				Condensing pressure (saturation temperature)			Return gas temp.		Liquid temp.		Cooling capacity			COP	EER	Power consumption		Current consumption		Ref. mass flow	
		pe	pc	RGT	Tliq	[W]	[Btu/h]	[kcal/h]	[W/W]	[Btu/Wh]	[kcal/Wh]	[W]	I	m			[W]	[A]	[kg/h]				
[°C]	[°F]	[°C]	[°F]	[°C]	[°C]																		
-23	-10	54	130	32	32	135,9	464	117,0	1,50	5,13	1,29	90,5	0,62	1,46								ASHRAE LBP	
-25	-13	55	131	32	55	101,7	347	87,5	1,18	4,02	1,01	86,5	0,61	1,33								cecomaf LBP	
-35	-31	40	104	20	40	72,6	248	62,5	1,12	3,84	0,97	64,6	0,52	0,88								EN12900 LBP	
-23	-10	49	120	4,4	49	109,9	375	94,6	1,24	4,24	1,07	88,6	0,61	1,61								ARI540 LBP	
-23	-10	41	105	32	32	144,2	493	124,1	1,68	5,74	1,45	85,8	0,60	1,55								AHAM LBP	
-35	-31	45	113	32	45	68,1	233	58,6	1,07	3,65	0,92	63,8	0,51	0,81								opt	

Performance tables

R600a, 220V/50Hz, RSIR, static, VDE

	pe		Cooling capacity			COP	EER		P1	I	m
	[°C]	[°F]	[W]	[Btu/h]	[kcal/h]	[W/W]	[Btu/Wh]	[kcal/Wh]	[W]	[A]	[kg/h]
[°C / °F]	-35	-31	68,1	233	58,6	1,07	3,65	0,92	63,8	0,51	0,81
cond. pressure	-30	-22	89,6	306	77,1	1,21	4,14	1,04	73,9	0,55	1,07
pc= 45/113	-25	-13	117,1	400	100,8	1,40	4,77	1,20	83,9	0,59	1,39
return gas temp.	-23	-10	127,8	437	110,0	1,46	5,00	1,26	87,3	0,61	1,52
RGT= 32/90	-20	-4	150,7	514	129,7	1,60	5,47	1,38	94,0	0,64	1,80
liquid temp	-15	5	190,2	650	163,7	1,83	6,24	1,57	104,1	0,69	2,27
Tliq= 45/113	-5	23	287,3	981	247,3	2,31	7,88	1,99	124,6	0,78	3,45
[°C / °F]	-35	-31	54,7	187	47,1	0,88	3,01	0,76	62,1	0,49	0,71
cond. pressure	-30	-22	75,6	258	65,1	1,02	3,48	0,88	74,1	0,55	0,99
pc= 55/131	-25	-13	101,7	347	87,5	1,18	4,02	1,01	86,5	0,61	1,33
return gas temp	-23	-10	111,7	382	96,2	1,23	4,21	1,06	90,7	0,62	1,46
RGT= 32/90	-20	-4	132,9	454	114,4	1,34	4,58	1,15	99,1	0,66	1,74
liquid temp	-15	5	169,4	578	145,8	1,51	5,16	1,30	112,0	0,72	2,22
Tliq= 55/131	-5	23	257,7	880	221,8	1,86	6,34	1,60	138,8	0,85	3,39



K-Series Compressors

GTK, HKK, HMK, HTK, HXK, HZK

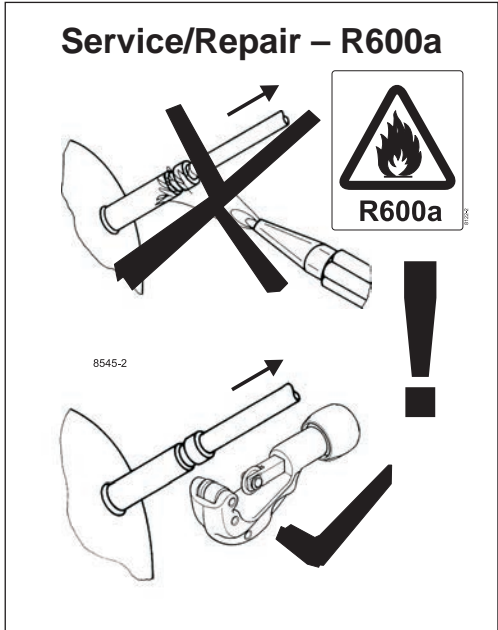
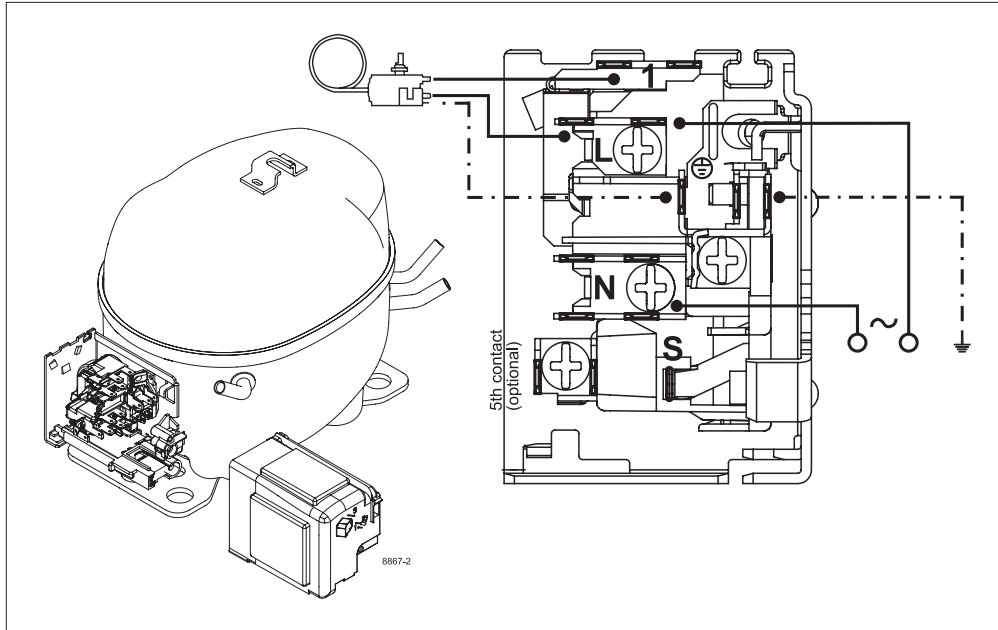


Service/Repair – R600a



K-Series Compressors

GTK, HKK, HMK, HTK, HXK, HZK



Secop accepts no responsibility for possible errors in catalogs, brochures, and other printed material. Secop reserves the right to alter its products without notice. This also applies to products already on order provided that such alterations can be made without subsequential changes being necessary to specifications already agreed. All trademarks in this material are the property of the respective companies. Secop and the Secop logotype are trademarks of Secop GmbH. All rights reserved. www.secop.com